



CONVERSION KIT INSTALL INSTRUCTIONS

MERCEDES-BENZ SPRINTER 2019 +

CVC LEGS TO OEM TRACKS

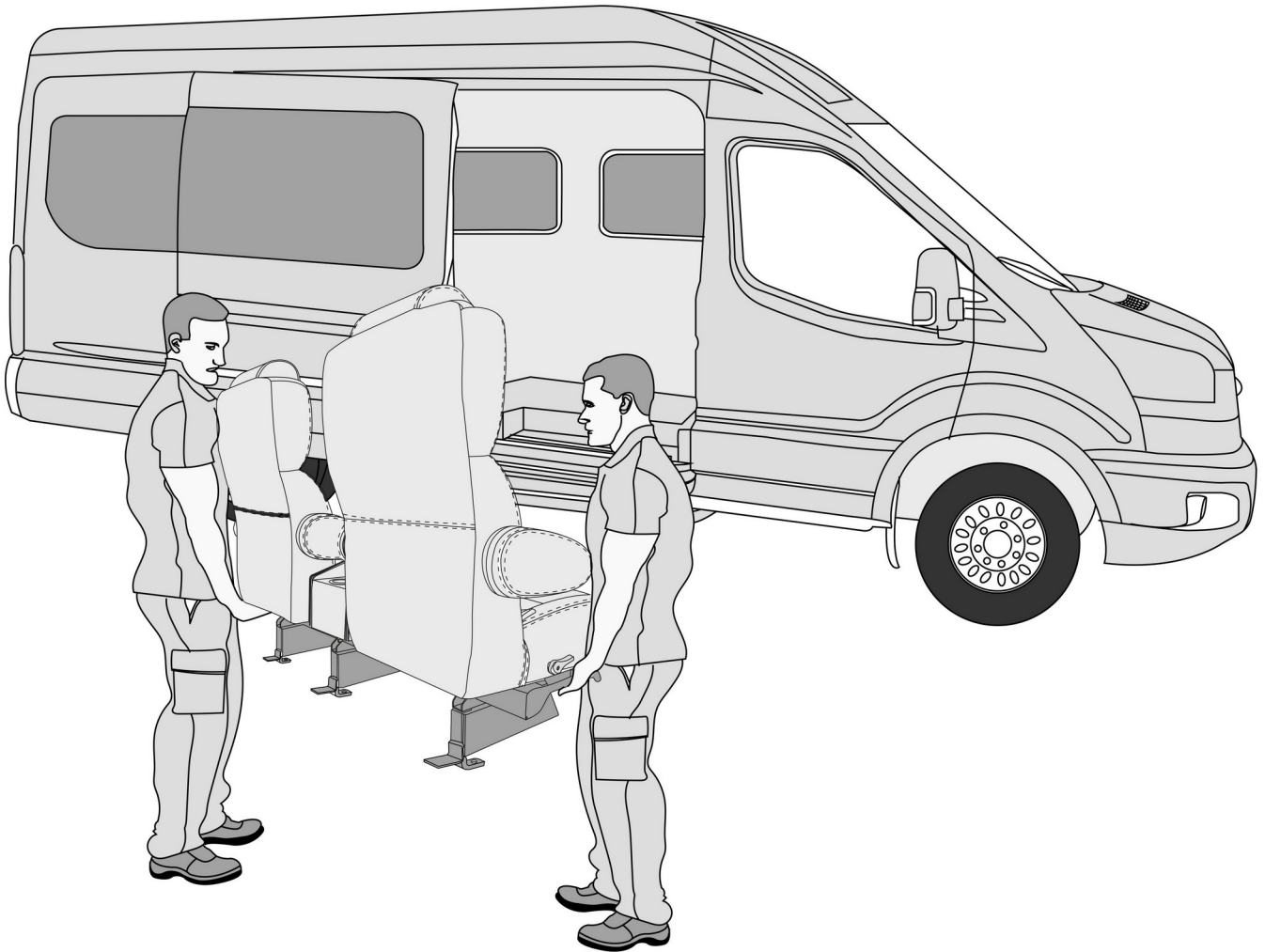
CONVERSION KIT INSTALL INSTRUCTIONS

1. PREPARE VEHICLE FOR CONVERSION

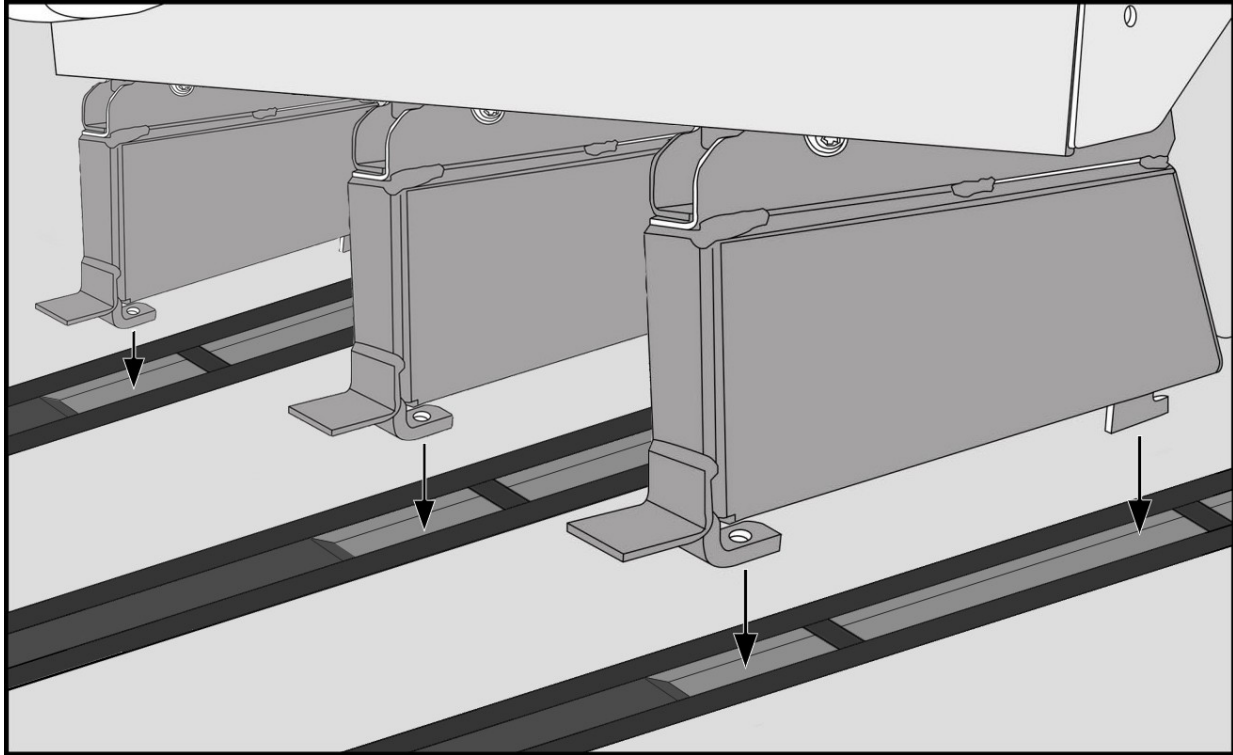
PREPARE VEHICLE BY OPENING SIDE AND REAR DOORS FULLY AND REMOVE FLOOR TRACKS GUARDS FROM FLOOR TRACK.

2. INSTALL PREPARED SEATS TO VEHICLE

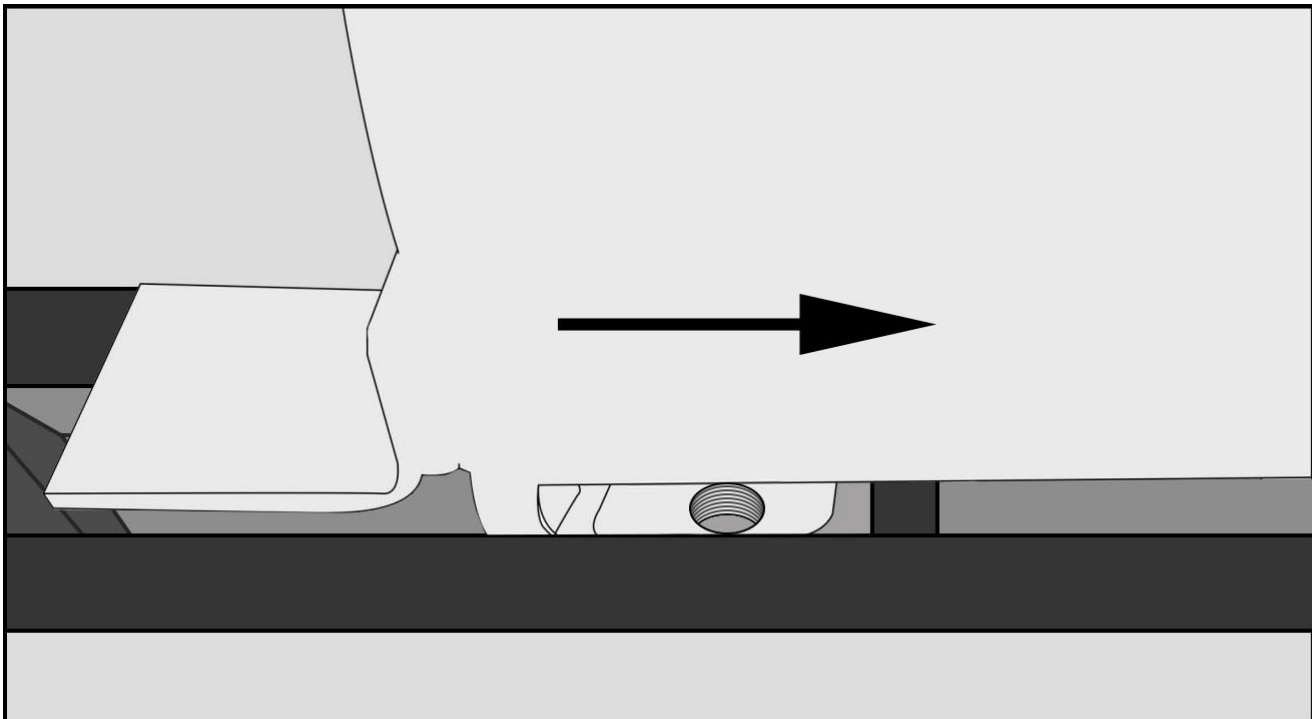
WITH VEHICLE FLOOR CLEARED, PROCEED TO BRING PREPARED SEATS WITH ATTACHED SUB BASE AND LEGS INTO THE VEHICLE. START WITH THE FRONT ROW AND WORK YOUR WAY BACK.



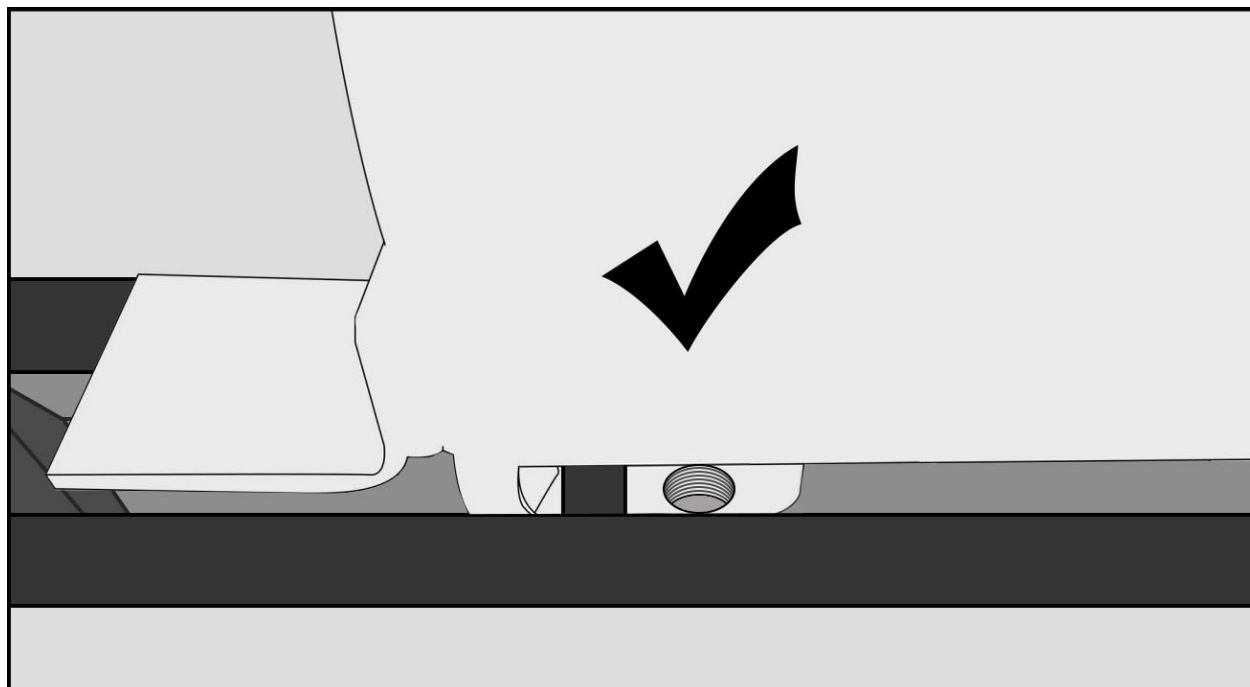
3. INSET THE SEAT LEGS INTO THE VEHICLE FLOOR TRACK RECEIVERS.



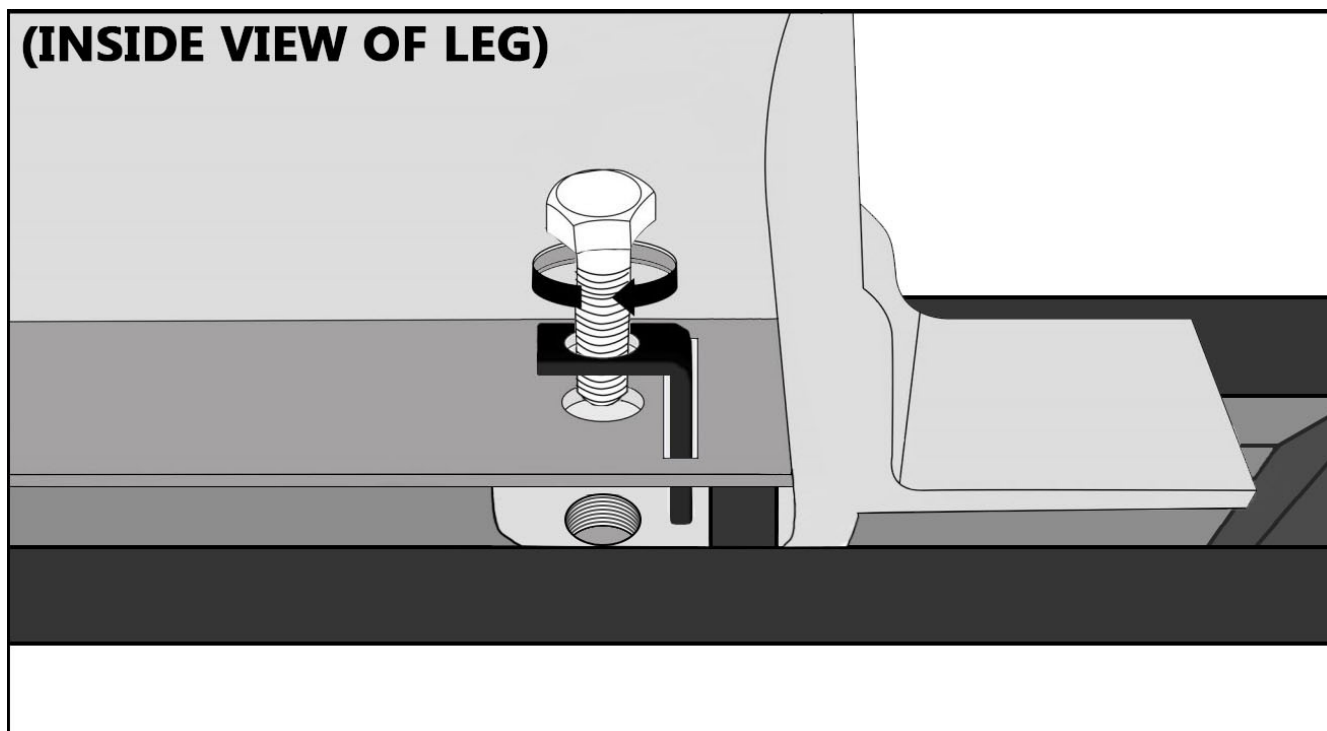
4. PUSH THE SEAT FORWARD TO ENSURE LEGS ARE FULLY INSET AND FULLY PUSHED FORWARD INTO THE FLOOR RECEIVERS.



ONCE LEGS ARE FULLY INSET AND FULLY PUSHED FORWARD INTO THE FLOOR RECEIVERS, YOU ARE READY TO PROCEED TO NEXT STEP.



5. ON THE INSIDE ON THE LEG, PLACE THE L-BRACKET INTO THE REAR SLOT, MAKE SURE THE HOLE ON THE L-BRACKET AND REAR HOLE OF THE LEG ALIGN, THEN INSTALL BOLT BY HAND FIRST THEN TORQUE TO 26 FT-LBS.



6. REPEAT ON ALL LEGS.

INSTALL COMPLETE