



# **CONVERSION KIT INSTALL INSTRUCTIONS**

**MERCEDES-BENZ SPRINTER 2018 -**

**CVC LEGS TO OEM TRACKS**

# **CONVERSION KIT INSTALL INSTRUCTIONS**

## **1. PREPARE VEHICLE FOR CONVERSION**

PREPARE VEHICLE BY OPENING SIDE AND REAR DOORS FULLY AND CLEAR FLOOR TO HAVE ENOUGH SPACE TO WORK WITH AND REMOVE PLASTIC GUARDS FROM FLOOR TRACKS.

## **2. PREPARE FLOOR TRACKS**

REMOVE REAR BOLT FROM OEM FLOOR TRACKS WHERE SEATS WILL BE INSTALLED. KEEPS BOLTS ASIDE THEY WILL BE REUSED IN STEP 6.

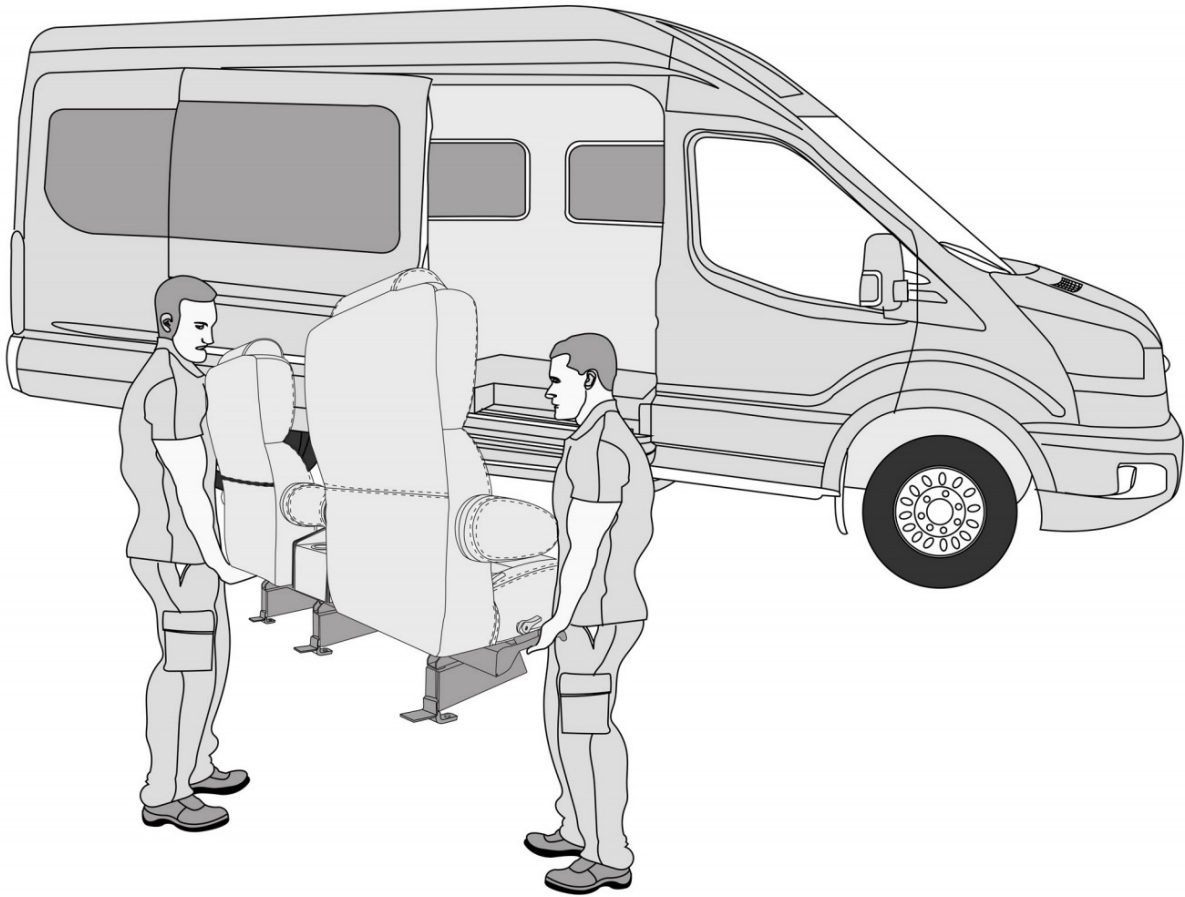


REMOVE FRONT PLASTIC GUARDS FROM OEM FLOOR TRACKS.

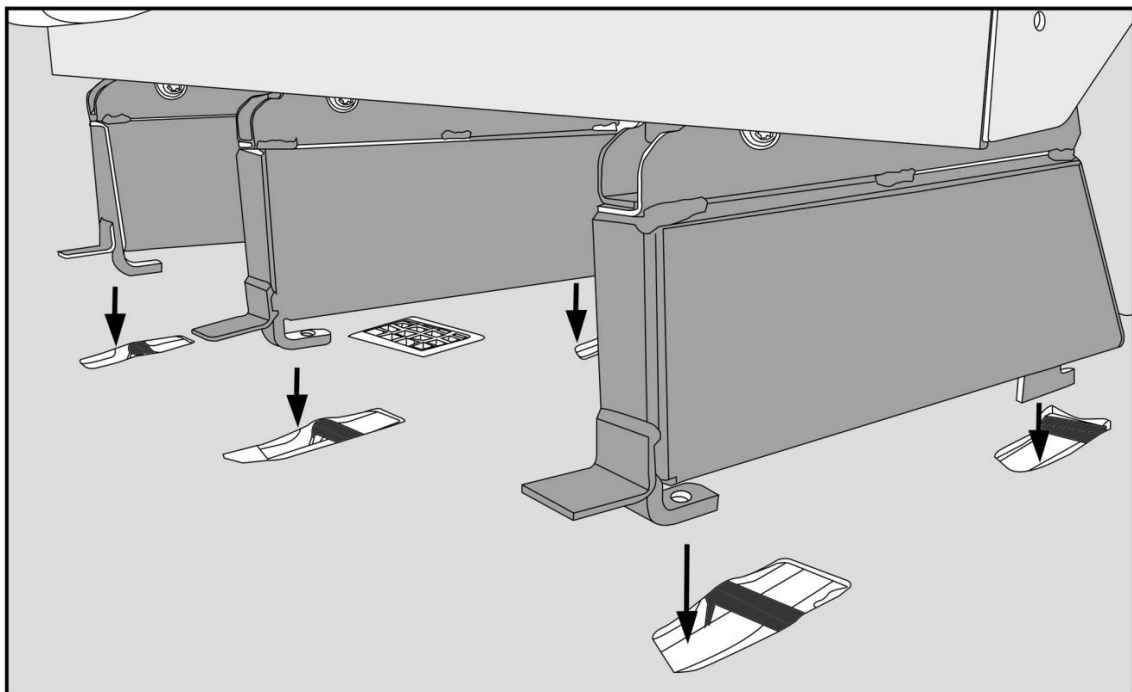


### 3. INSTALL PREPARED SEATS TO VEHICLE

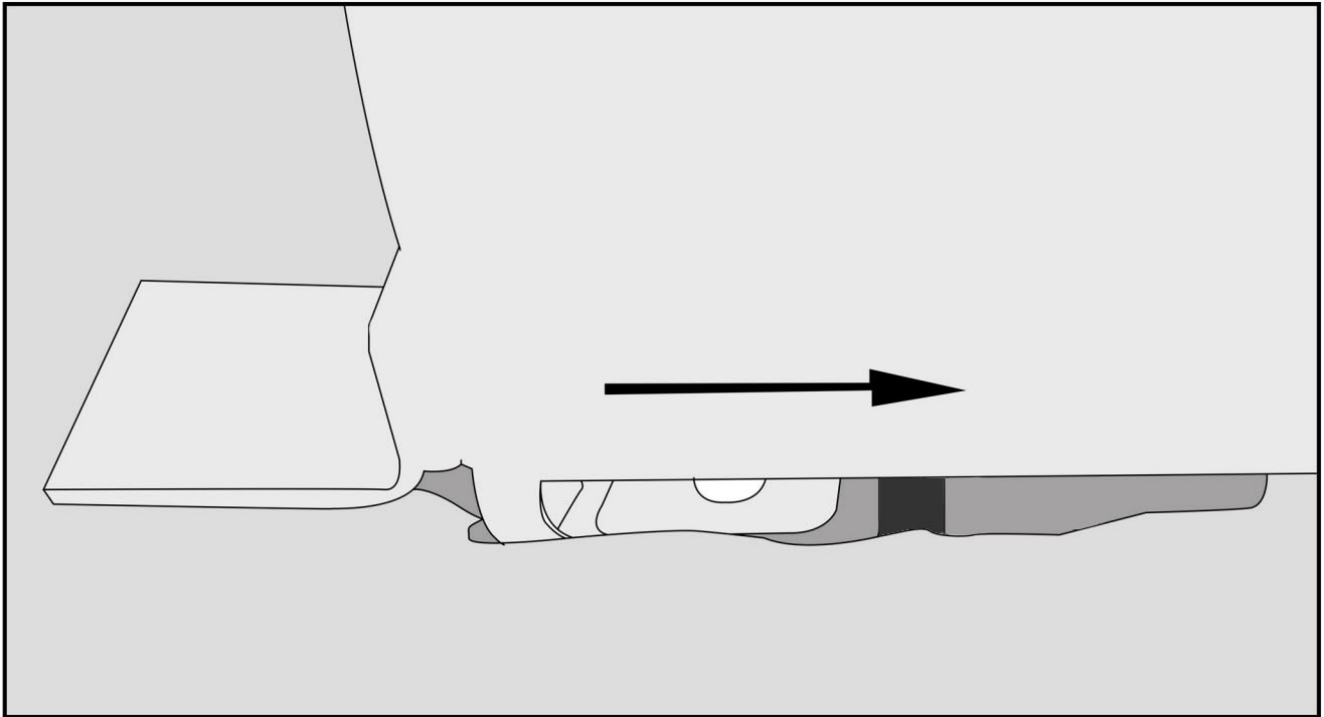
WITH VEHICLE FLOOR CLEARED, PROCEED TO BRING PREPARED SEATS. START WITH THE FRONT ROW AND WORK YOUR WAY BACK.



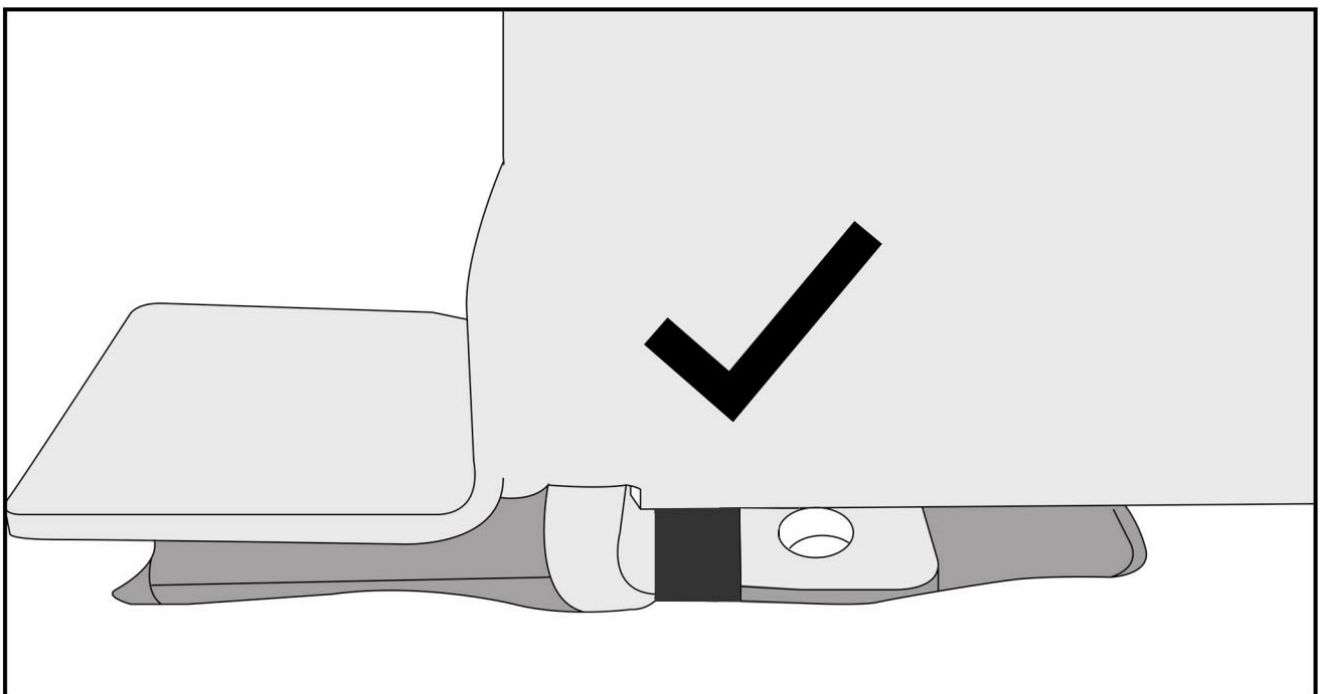
### 4. INSET THE SEAT LEGS INTO THE VEHICLE FLOOR TRACK RECEIVERS.



5. PUSH THE SEAT FORWARD TO ENSURE LEGS ARE FULLY INSET AND FULLY PUSHED FORWARD INTO THE FLOOR RECEIVERS.



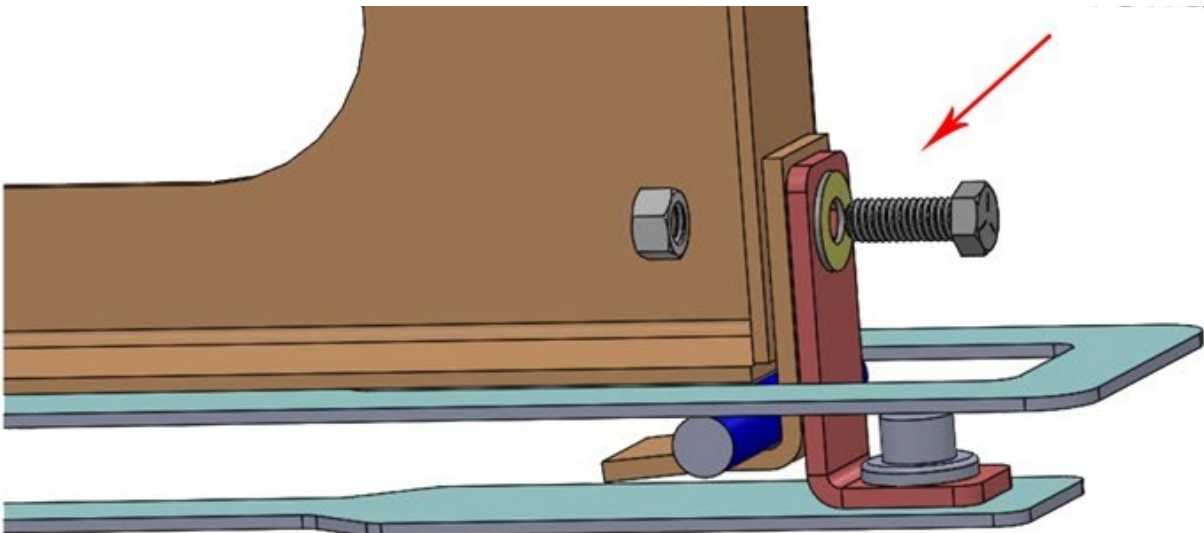
ONCE LEGS ARE FULLY INSET AND FULLY PUSHED FORWARD INTO THE FLOOR RECEIVERS, YOU ARE READY TO PROCEED TO NEXT STEP.



6. USING THE OEM BOLT THAT WAS REMOVED EARLIER IN STEP 2, PLACE BOLT THROUGH L-BRACKET AND SECURE DOWN TO OEM TRACK BY HAND.



7. ALIGN L-BRACKET TO BACK OF LEG AND FASTEN BOLT, L-BRACKET AND NUT TO REAR OF LEG BY HAND FIRST.



8. GO BACK AND TORQUE BOLTS AND NUTS TO 31 FT/LBS
9. REPEAT STEPS 6-7 ON ALL LEGS.

**INSTALL COMPLETE**