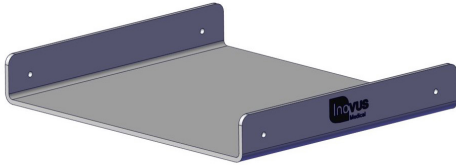


pyxus[®]
Pro Move

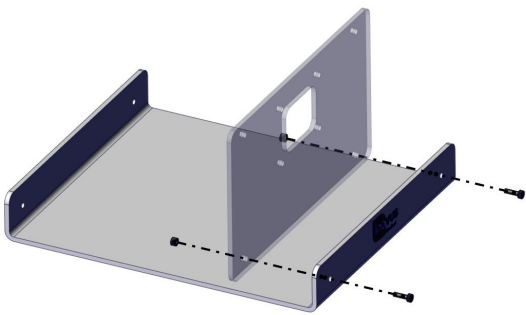
Inovus[®]
Medical[®]

a c c e s s i b l e a f f o r d a b l e f u n c t i o n a l

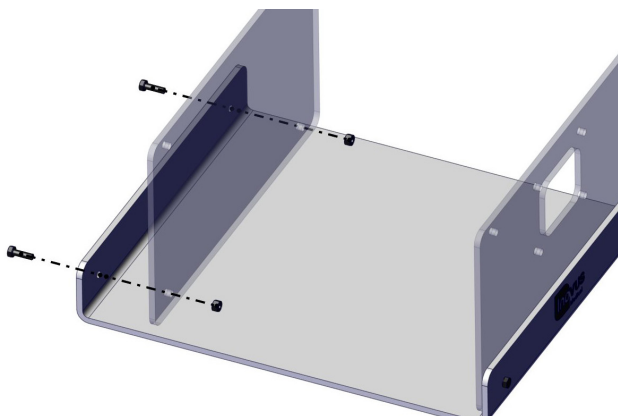
- 1 | Begin the assembly by isolating the BTM01 panel.



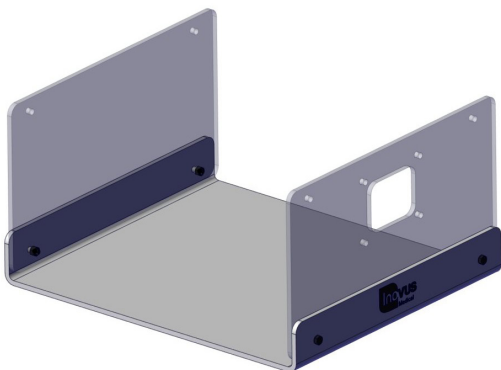
- 2 | Using 2 x M5B8 bolts and 2 x WN20 nuts, screw the UHDM front panel into position as shown.



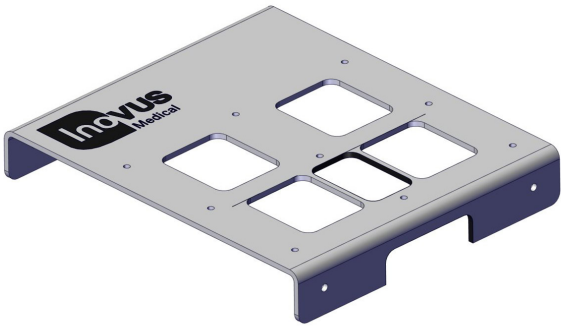
- 3 | Repeat Step 2 for the rear panel U01, using a further 2 x M5B8 bolts and 2 x WN20 nuts.



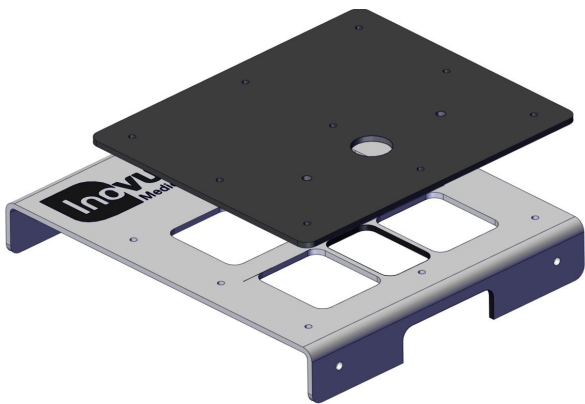
- 4 | Your simulator should now look like this, with both upright panels securely in position.



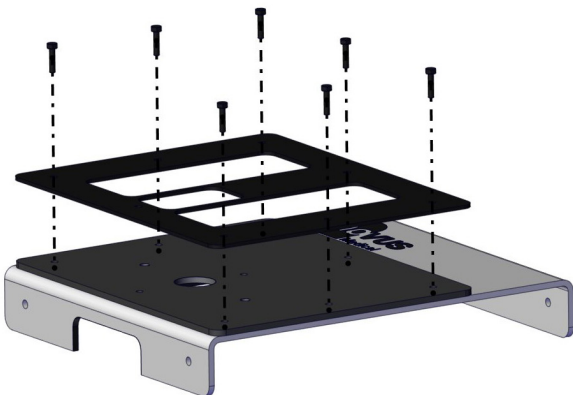
5 | Isolate the TPB03 panel.



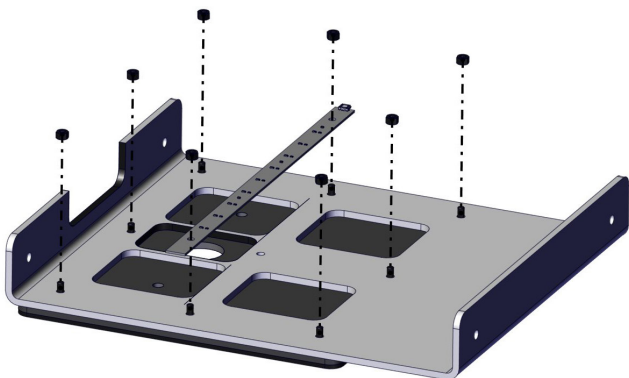
6 | Place the SK03 skin over the TPB03 panel as shown, ensuring the bolt holes in the skin are aligned with those on the panel.

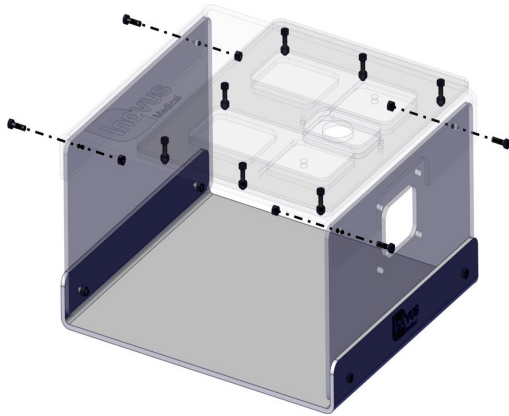


7 | Take the BKT03 bracket and place it over the SK03 skin. With the bolt holes aligned, place 7 x M5B12 bolts into position as shown. At this stage, leave the front (middle) bolt hole free.

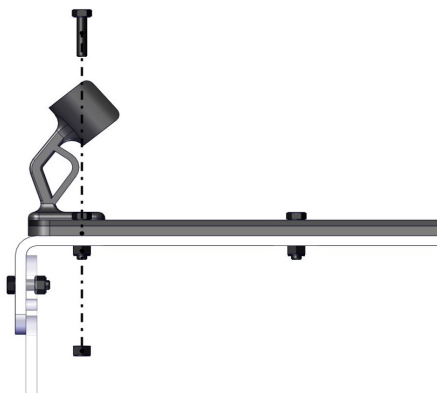


8 | Using 7 x WN20 nuts, secure BKT03 and SK03 to TPB03 by tightening from the underside. Whilst doing so, secure the LED strip (with Inovus logo facing downwards) at the position shown in the image

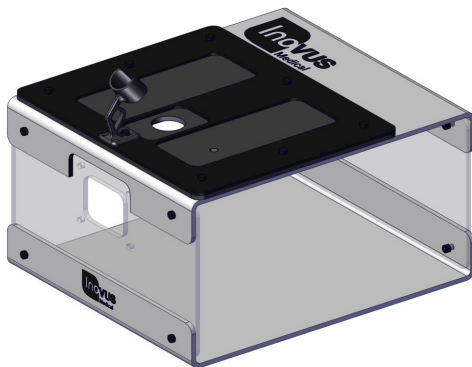




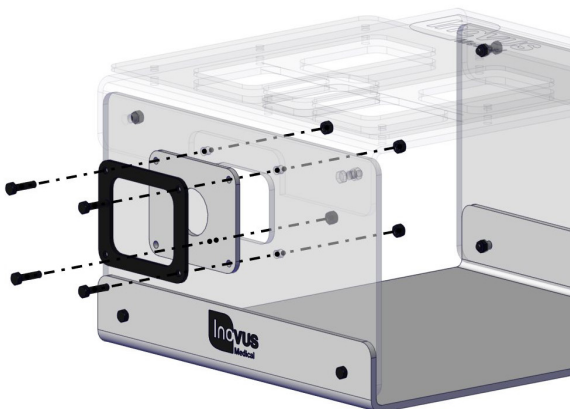
- 9 | Place TPB03 over the upright panels. Aligning the bolt holes, secure it in place using 4 x M5B8 bolts and 4 x WN2 nuts.



- 10 | You may now take the scope bracket (INOPPMBKT). Align the bolt hole on the base of the bracket with the front (middle) bolt hole of BKT03. Secure the bracket in place using 1 x M5B12 bolt and 1 x WN20 nut.

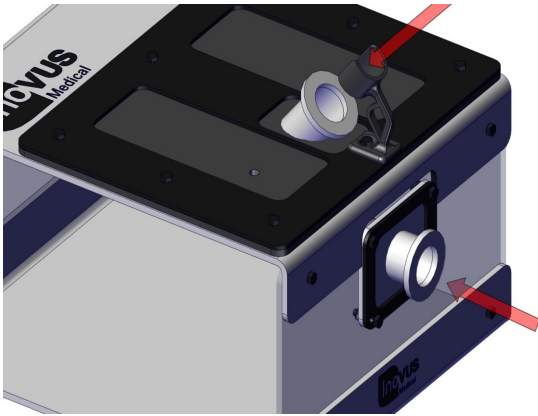


- 11 | Your simulator should now look like this.

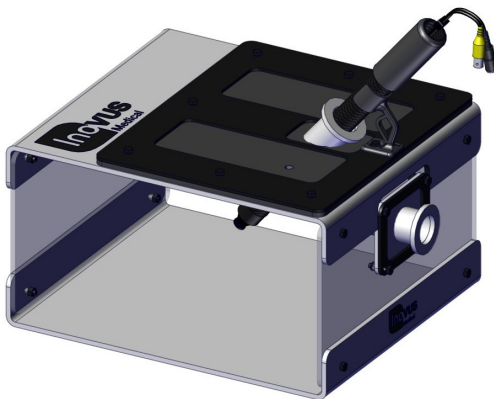


- 12 | You will now need the following parts:
 - SK02
 - BKT02

Using the remaining 4 x M5B12 bolts and 4 x WN20 nuts, secure the white skin and black bracket to the UHDM panel. Please note that the black bracket must be placed on the outside of the white skin as shown in the image.

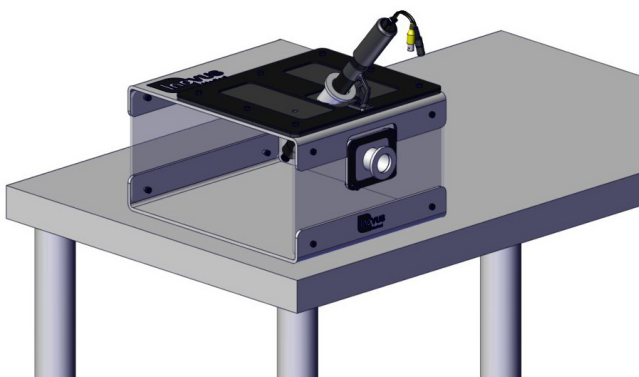


- 13 | Place the trocar into a port of your choosing. For illustrative purposes, the trocar is shown in both positions in the following images.



- 14 | Should you place the scope into the top port, you may anchor it in position by placing it into the cradle of the scope bracket. This is particularly useful for solo training.

If a camera assistant is present, you may wish to disconnect the scope bracket.

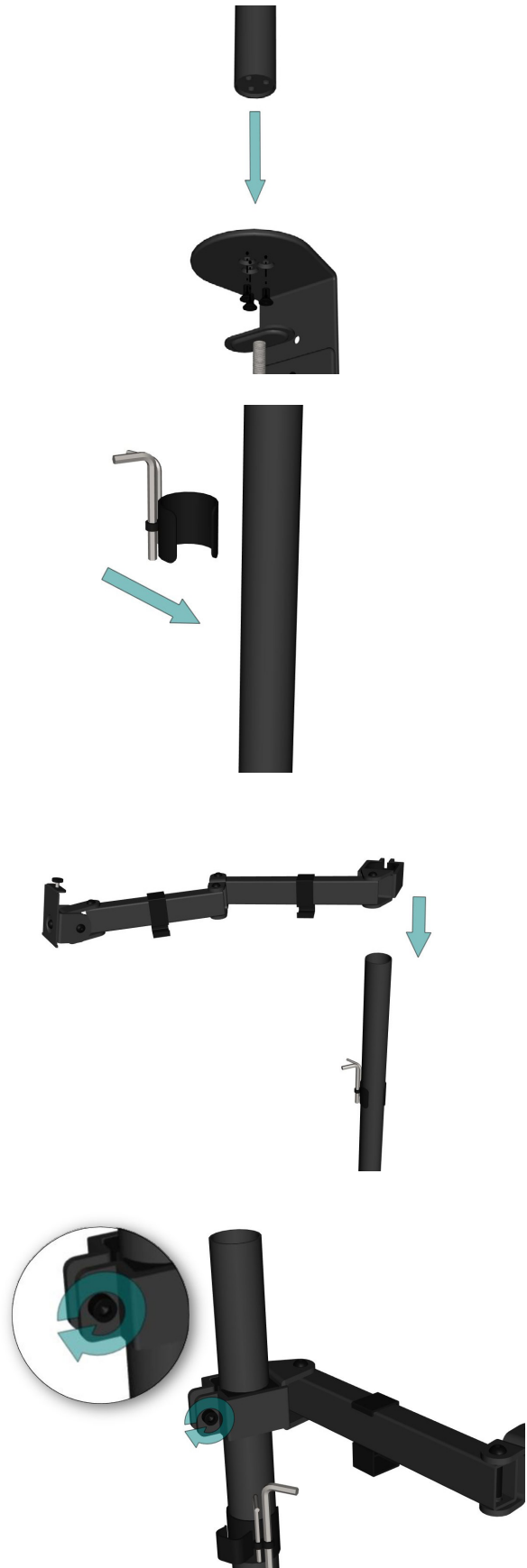


- 15 | You are now ready to progress to Step 16 to begin setting up the monitor bracket.

If your simulator was purchased in a hard shell carry case, the monitor bracket will be assembled already and you may skip to Step 24.



- 16 | Begin by removing the C-clamp from the package.

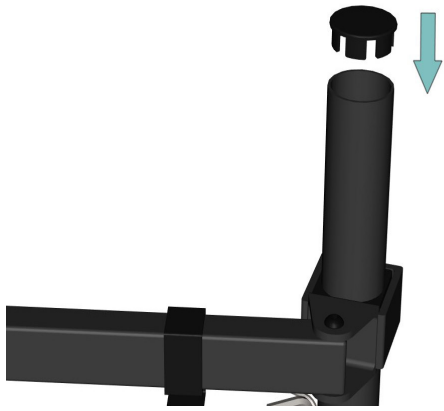


17 | Using the three black bolts provided, attach the black post to the C-clamp.

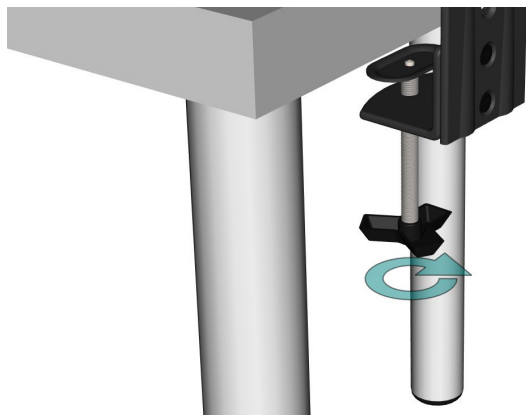
18 | Just so that we know where they are for later, identify the two Allen keys along with the push fit clamp provided. Snap this to the post and move to the next step.

19 | The swivel arm should be pre-assembled Slide this onto the black post.

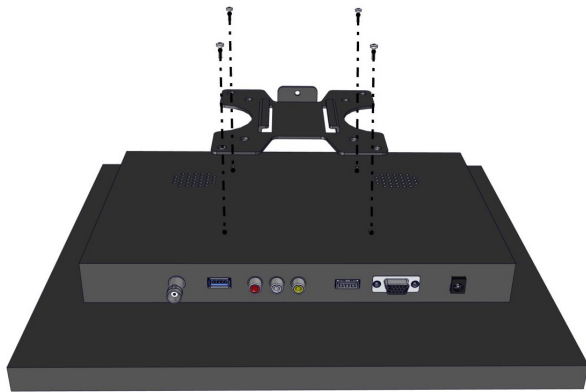
20 | At the desired height, use the largest Allen key to lock into position by turning the bolt in a clockwise direction.



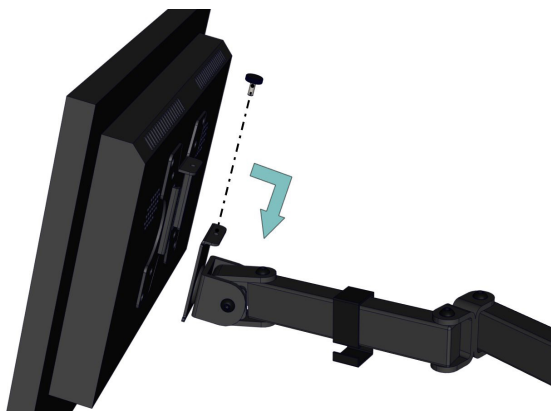
21 | Push the end cap into position.



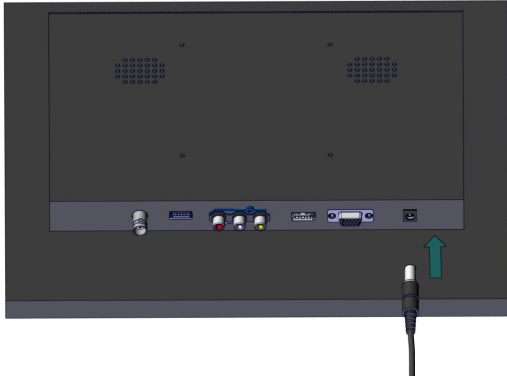
22 | With the bracket fully assembled, anchor it to your chosen work surface by turning the handle until it is tight.



23 | Take the screen bracket and screw this to the back of the monitor using the bolts provided.

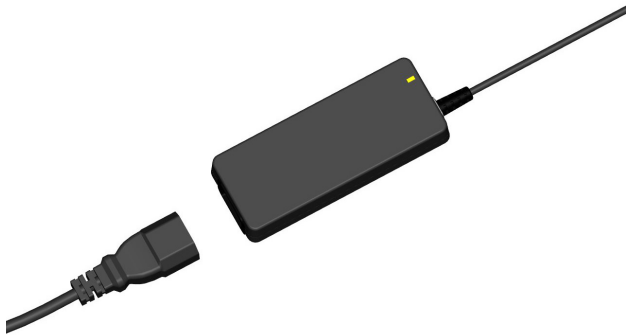


24 | Slide the monitor into position and screw the bolt into place.



- 25 | Wiring set-up can be completed using the numbered stickers attached to the ends of the wires. For additional support, use this visual guide.

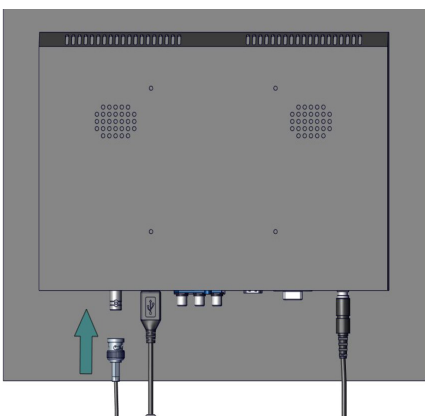
Begin by connecting the 12V power adapter to the monitor.



- 26 | Plug the socket into the wall and then connect the IEC cable to the power adapter. When switched on, a green light may be shown.



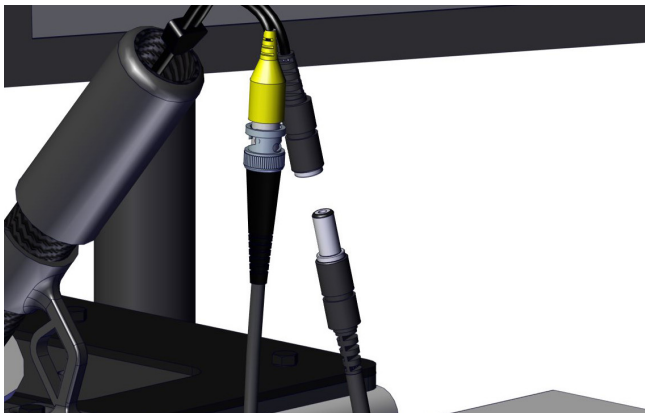
- 27 | Connect the USB splitter to the USB port at the back of the monitor as shown.



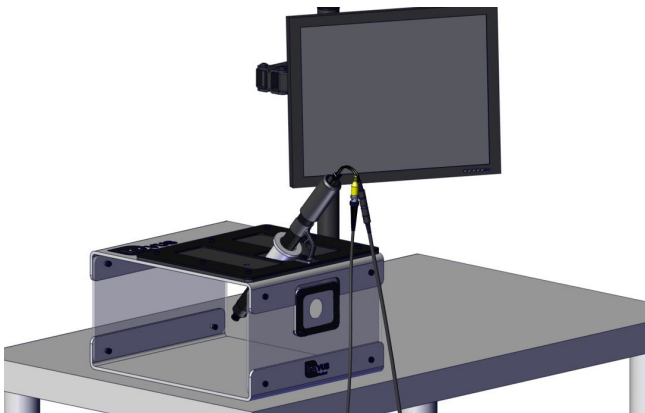
- 28 | Connect the female end of the BNC extender to connector at the back of the monitor.



29 | Attach the BNC cable to the connector on the scope.



30 | Connect the remaining power cable to the female connector on the scope.



31 | The set-up should now look similar to this image.



32 | Connect the Micro USB cable to the LED strip.



33 | Finally, connect the Micro USB cable to the remaining USB port on the USB splitter.

You are now ready to begin operating.



Warranty

This limited warranty applies to any order, purchase, receipt, delivery or use of any products and services (collectively, in a "purchase") from Inovus Ltd® or any of its subsidiaries or affiliates or authorized reseller ("reseller"). If you enter into a separate written agreement with any of the aforementioned this warranty may be declared null and void.

This warranty applies to your purchase unless you notify Inovus Ltd® in writing that you do not agree to this agreement within 15 days after you receive this agreement and you return your product or cancel services under Inovus Ltd®'s refund policy. This agreement contains a dispute resolution clause (please see below).

THE TERMS AND CONDITIONS APPLICABLE TO INOVUS LIMITED® WARRANTY ARE AS SET FORTH BELOW:

Limited Warranty

Inovus Ltd® warrants to the end user ("Customer") that the product will be free from defects in workmanship and materials, under normal use and service, for one (1) year, or such longer period as Inovus Ltd® may announce publicly from time to time for particular products, from the date of purchase from Inovus Ltd® or an authorized reseller. Inovus Ltd®'s sole obligation under this express warranty shall be, at Inovus Ltd®'s option and expense, to repair the defective product or part, deliver to Customer an equivalent product or part to replace the defective item, or if neither of the two foregoing options is reasonably available, Inovus Ltd® may, in its sole discretion, refund to Customer the purchase price paid for the defective product. All products that are replaced will become the property of Inovus Ltd®.

Replacement products or parts may be new or reconditioned. Inovus Ltd® warrants any replaced or repaired product or part for ninety (90) days from shipment, or the remainder of the initial warranty period, whichever is longer. Products returned to Inovus Ltd® must be sent prepaid and packaged appropriately for safe shipment, and it is recommended that they be insured or sent by a method that provides for tracking of the package. Responsibility for loss or damage does not transfer to Inovus Ltd® until the returned item is received by Inovus Ltd®. The repaired or replaced item will be shipped to Customer, at Inovus Ltd®'s expense, no later than thirty (30) days after Inovus Ltd® receives the defective product, and Inovus Ltd® will retain risk of loss or damage until the item is delivered to Customer.

Exclusions

Inovus Ltd® will not be liable under this limited warranty if its testing and examination show that the alleged defect or malfunction in the product does not exist or results from:

- Failure to follow Inovus Ltd® installation, operation, or maintenance instructions
- Unauthorised product modification or alteration
- Unauthorised use of common carrier communication services accessed through the product
- Abuse, misuse, negligent acts or omissions of Customer and persons under Customer's control; or
- Acts of third parties, acts of God, accident, fire, lighting, power surges or outages, or other unpredictable random hazards.

WARRANTY EXCLUSIVE. IF AN INOVUS LTD® PRODUCT DOES NOT OPERATE AS WARRANTED ABOVE, CUSTOMER'S SOLE REMEDY FOR BREACH OF THAT WARRANTY SHALL BE REPAIR, REPLACEMENT, OR REFUND OF THE PURCHASE PRICE PAID, AT INOVUS LTD®'S OPTION. TO THE FULL EXTENT ALLOWED BY LAW, THE FOREGOING WARRANTIES AND REMEDIES ARE EXCLUSIVE AND ARE IN LIEU OF ALL OTHER WARRANTIES, TERMS, OR CONDITIONS, EXPRESS OR IMPLIED, EITHER IN FACT OR BY OPERATION OF LAW, STATUTORY OR OTHERWISE, INCLUDING WARRANTIES, TERMS, OR CONDITIONS OF MERCHANTABILITY, FITNESS FOR A PARTICULAR PURPOSE, SATISFACTORY QUALITY, CORRESPONDENCE WITH DESCRIPTION, AND NON-INFRINGEMENT, ALL OF WHICH ARE EXPRESSLY DISCLAIMED. INOVUS LTD® NEITHER ASSUMES NOR AUTHORIZES ANY OTHER PERSON TO ASSUME FOR IT ANY OTHER LIABILITY IN CONNECTION WITH THE SALE, INSTALLATION, MAINTENANCE OR USE OF ITS PRODUCTS.

Support and service agreements

If you purchased your product from an Inovus Ltd® Authorized Reseller, contact the Authorized Reseller for information about support and service agreements applicable to your product. For information on Inovus Ltd®'s service, go to the Inovus Ltd web site www.inovus.org, or contact Inovus Ltd® at info@inovus.org.

Limitation of Liability

TO THE FULL EXTENT ALLOWED BY LAW, INOVUS LTD® EXCLUDES FOR ITSELF AND ITS SUPPLIERS ANY LIABILITY, WHETHER BASED IN CONTRACT OR TORT (INCLUDING NEGLIGENCE), FOR INCIDENTAL, CONSEQUENTIAL, INDIRECT, SPECIAL, OR PUNITIVE DAMAGES OF ANY KIND, OR FOR LOSS OF REVENUE OR PROFITS, LOSS OF BUSINESS, LOSS OF INFORMATION OR DATA, OR OTHER FINANCIAL LOSS ARISING OUT OF OR IN CONNECTION WITH THE SALE, INSTALLATION, MAINTENANCE, USE, PERFORMANCE, FAILURE, OR INTERRUPTION OF ITS PRODUCTS, EVEN IF INOVUS LTD® OR ITS AUTHORIZED RESELLER HAS BEEN ADVISED OF THE POSSIBILITY OF SUCH DAMAGES, AND LIMITS ITS LIABILITY TO REPAIR, REPLACEMENT, OR REFUND OF THE PURCHASE PRICE PAID, AT INOVUS LTD® OPTION.

THIS DISCLAIMER OF LIABILITY FOR DAMAGES WILL NOT BE AFFECTED IF ANY REMEDY PROVIDED HEREIN SHALL FAIL OF ITS ESSENTIAL PURPOSE.

Returns Policy

Thank you for purchasing from Inovus. If you are not entirely satisfied with your product then there are few ways we can help:

Returns

You have 14 calendar days to return an item from the date you received it. To be eligible for a return, your item must be unused and in the same condition that you received it. Your item must be returned in the original packaging and you must have the receipt or proof of purchase. Responsibility for the product will remain with you until it is received by Inovus.

Refunds/Replacements

Once we receive your item, we will inspect it and notify you that we have received your returned item. We will immediately notify you on the status of your refund after inspecting the item. If your return is approved, we will initiate a refund to your credit card (or original method of payment) or dispatch a replacement item depending on your preference. If you opt for a full refund you will receive the credit within a certain amount of days, depending on your card issuer's policies.

Shipping

You will be responsible for paying for your own shipping costs for returning your item. Shipping costs are nonrefundable. If you receive a refund, the cost of return shipping will be deducted from your refund.

Contact Us

If you have any questions on how to return your item to us, contact us via email at info@inovus.org or telephone on (+44) 01744 752952.

Designed and manufactured by



E: info@inovus.org

T: +44 (0) 1744 752 952

W: www.inovus.org



a c c e s s i b l e a f f o r d a b l e f u n c t i o n a l