

bozzini®  
Laparoscopic

Inovus

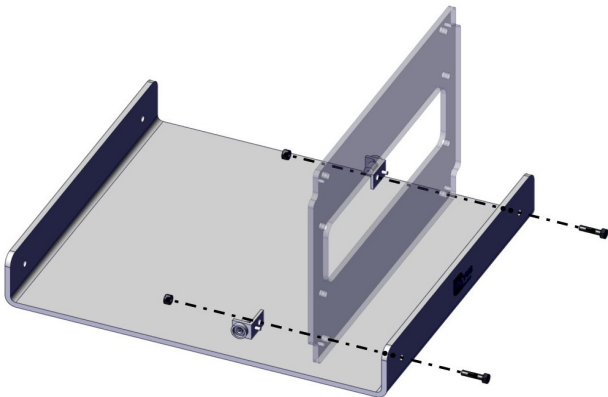
Inovus  
Medical®

a c c e s s i b l e   a f f o r d a b l e   f u n c t i o n a l

- 1 | Construct the front panel section of the simulator.

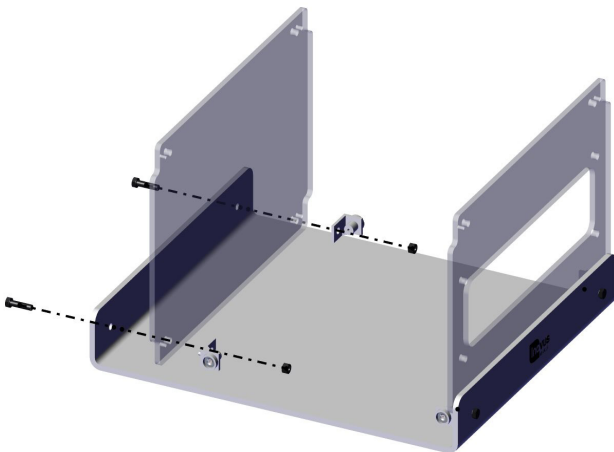
You will need parts: BTM01, UBL and 2 x MA01.

Using 2 x M5B29 bolts and 2 x WN29 nuts, assemble as shown in the image.



- 2 | Repeat Step 1 for the rear panel U02.

You will need to use 2 x MA01, 2 x M5B29 bolts and 2 x WN29 nuts as for Step 1.

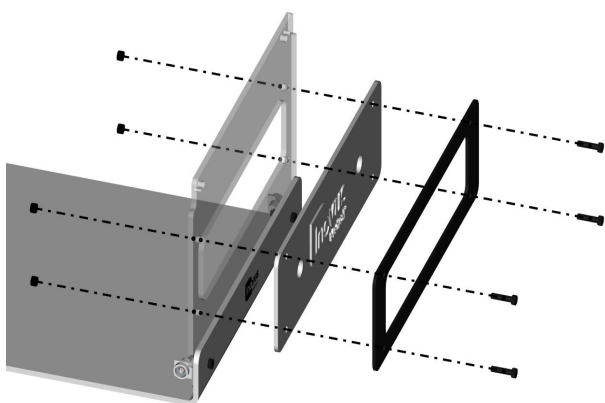


- 3 | You will now need the following parts:

- SK06
- BKT05

Using 4 x M5B29 bolts and 4 x WN29 nuts, secure SK06 and BKT05 to the UBL front panel.

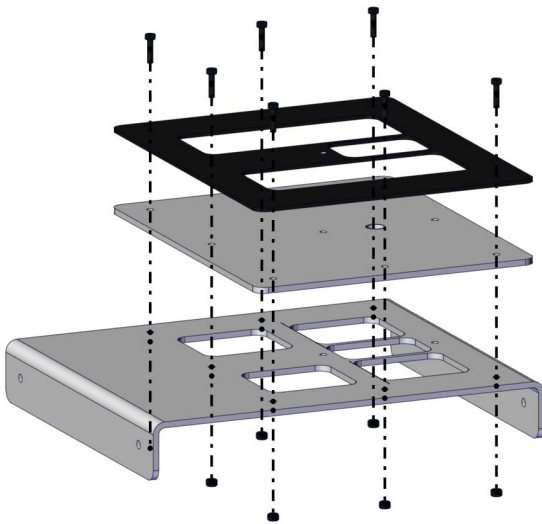
Please note that the black bracket must be placed on the outside of the white skin as shown in the image.



- 4 | Your simulator should now look like this, with both upright panels securely in position.



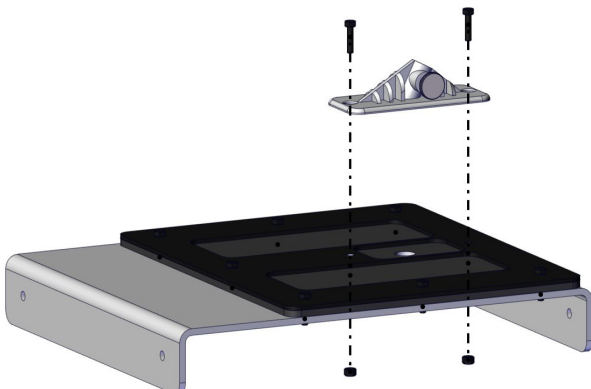
- 5 | You may now start the TPB05 sub-assembly. Taking TPB05, SK08 and BKT07, secure as shown using 7 x M5B29 bolts and 7 x WN29 nuts.



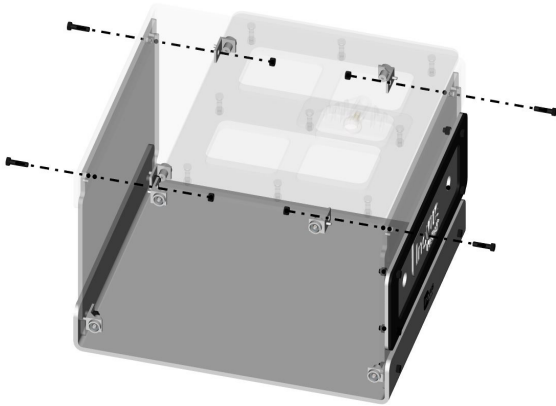
- 6 | Isolate the scope bracket (IN0-BLBKT). Using 2 x M529 bolts and 2 x WN29 nuts, secure the bracket as shown in the image.

You have now completed the TPB05 sub-assembly.

Please note you may operate without the bracket when a camera operator is present.



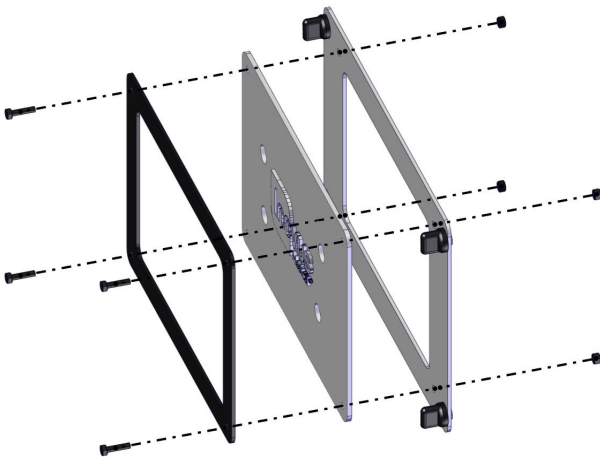
- 7 | As in Steps 1 and 2, secure the TPB05 sub-assembly to the upright panels using: 4 x MA01, 4 x M529 bolts and 4 x WN29 nuts.

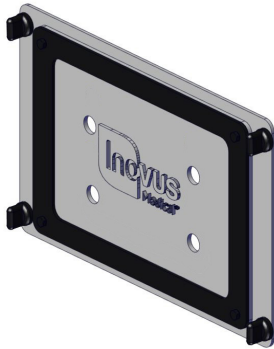


- 8 | Your simulator should now look exactly like the image shown.



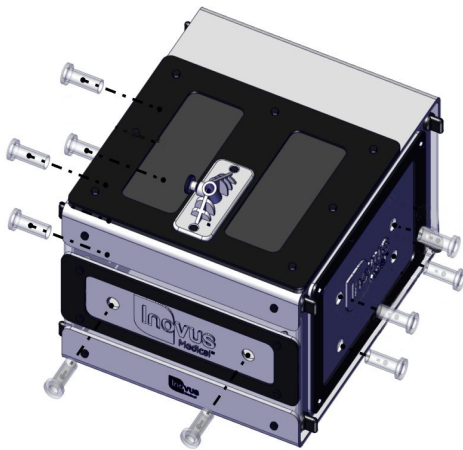
- 9 | You may now start the side panel sub-assemblies. Taking SPBL, SK07 and BKT06, secure as shown using 4 x M529 bolts and 4 x WN29 nuts.





- 10 | Your side panel should look like this. Repeat the process one more time for the opposite side.

Slot the side panels into position, allowing the magnets to guide the panel into place.



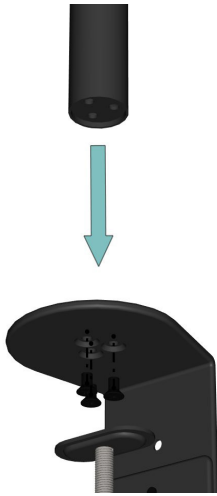
- 11 | Insert the 10 dummy trocars as directed in the image.



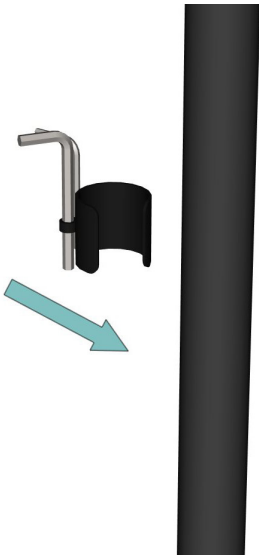
- 12 | You are now ready to assemble the monitor bracket. Begin by removing the C-clamp from the package.

If your simulator was purchased in a hard shell carry case, the monitor bracket will be assembled already and you may skip to Step 20.

- 13 | Using the three black bolts provided, attach the black post to the C-clamp.

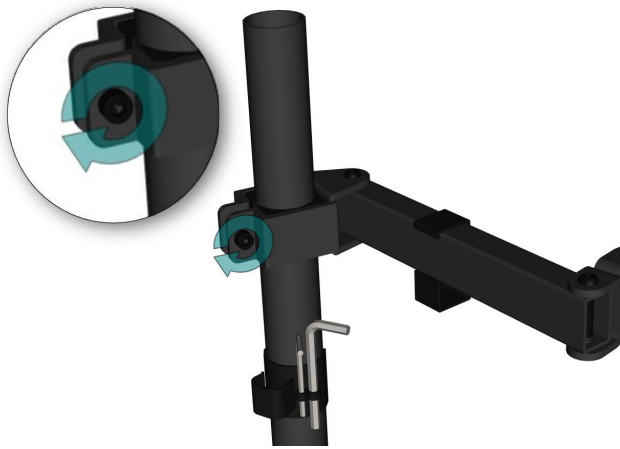


- 14 | Just so that we know where they are for later, identify the two Allen keys along with the push fit clamp provided. Snap this to the post and move to the next step.



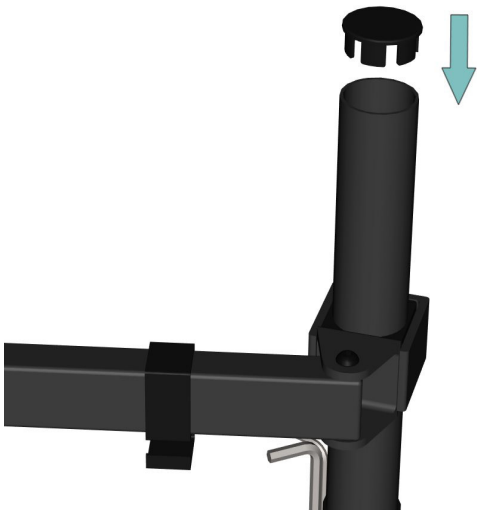
- 15 | The swivel arm should be pre-assembled. Slide this onto the black post, then move to the next step.





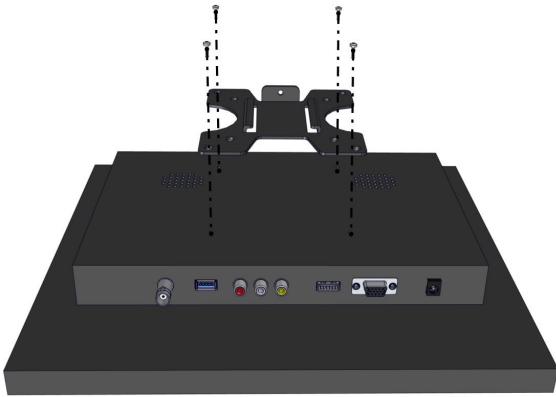
16 | At the desired height, use the largest Allen key to lock into position by turning the bolt in a clockwise direction.

17 | Push the end cap into position.

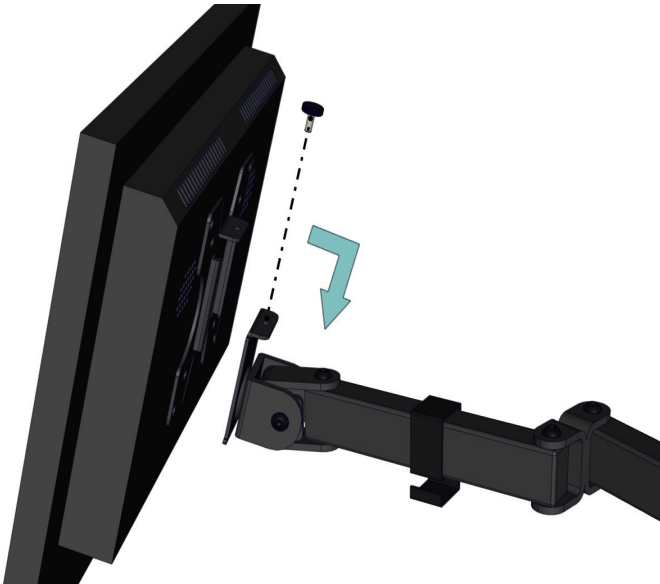


18 | With the bracket fully assembled, anchor it to your chosen work surface by turning the handle until it is tight.

- 19 | Take the screen bracket and screw this to the back of the monitor using the bolts provided.

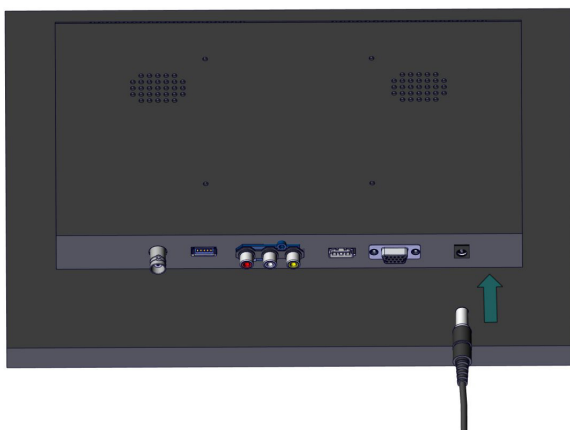


- 20 | Slide the monitor into position and screw the bolt into place.



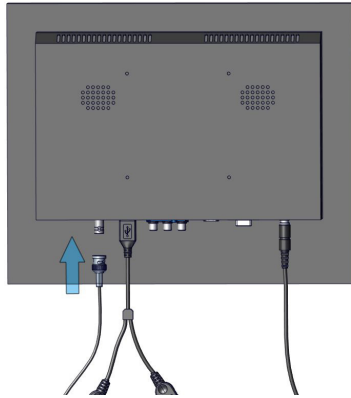
- 21 | All wiring can be completed using the numbered stickers attached to the ends of each adapter. For additional support, use this visual guide.

Start by plugging in the 12V power adapter.





- 22 | Plug the socket into the wall and then Connect the IEC cable to the power adapter. When switched on, a green light may be shown.

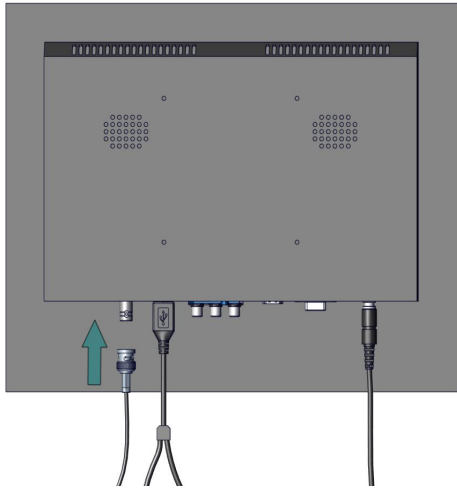


- 23 | Connect the USB splitter to the rear of the monitor as shown.



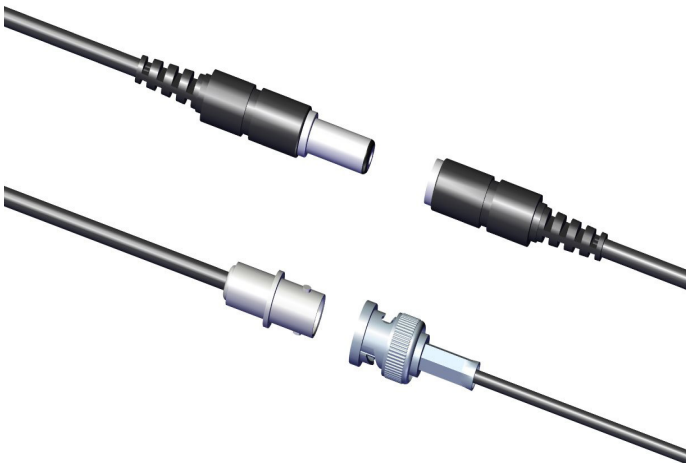
- 24 | Connect the USB to 5V adapter to one of the USB ports. Connect the female end of the BNC cable to the male end of the 5V adapter.





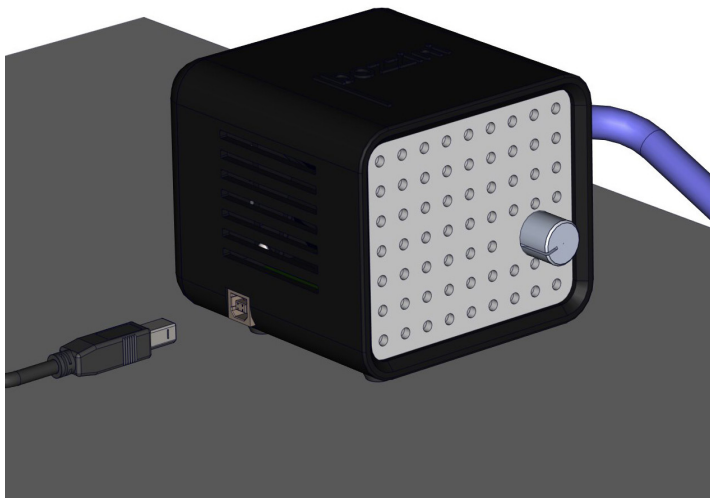
25 | Connect the female end of the BNC extender to the screen.

26 | Locate the endoscopic camera in the package. Connect the opposing ends of the BNC cable to the camera connectors.

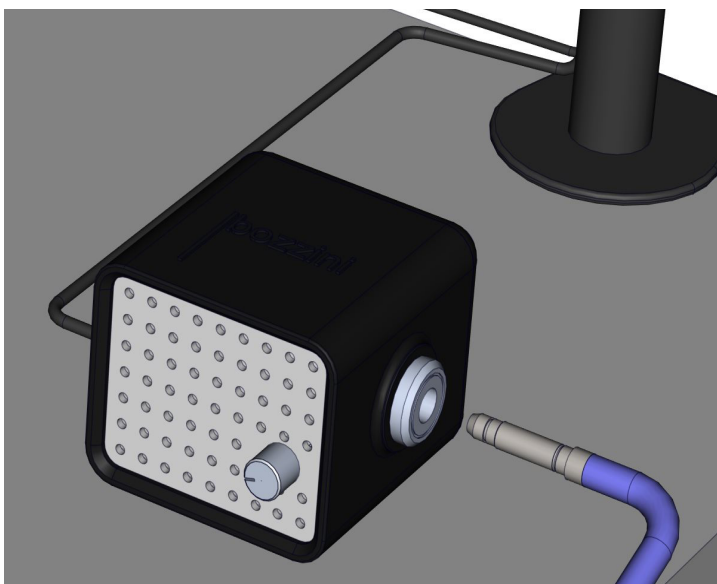


27 | Connect the USB A/B cable to the remaining USB port on the USB splitter.

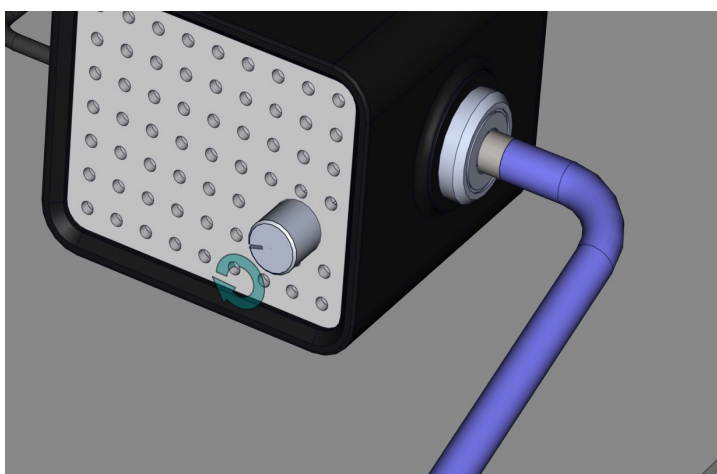




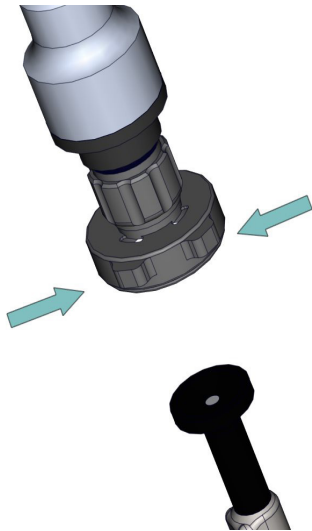
28 | Now connect this wire to the bozzini light source.



29 | Plug in the male end of the fibreoptic cable into the light source.



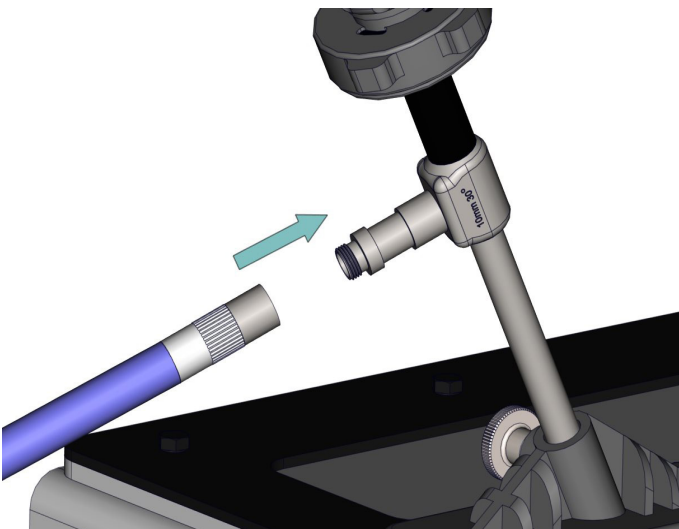
30 | When the screen is powered on, you should be able to turn the knob on the front of the light source to activate the light. Test the light at this stage and switch off.



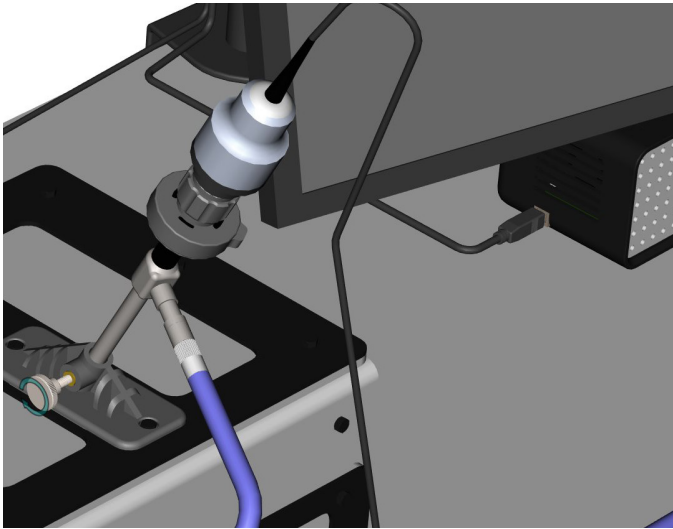
- 31 | Connect the camera coupler to the laparoscope by pinching the two clasps. It should lock into place firmly.



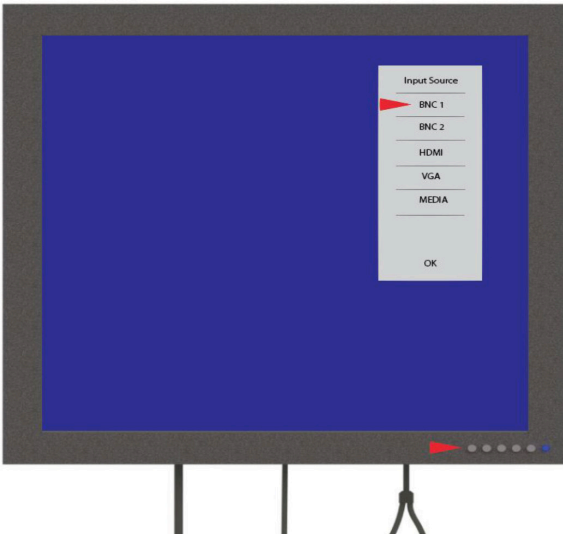
- 32 | Slide the laparoscope into the bracket and lock into position by tightening the thumb screw.



- 33 | Attach the other end of the fiberoptic cable to the connector on the scope by screwing it into place. At this stage, you are ready to turn the light source on.



34 | The scope system should look something like this.



35 | In most cases, your monitor will have been pre-programmed to display the image. In the event that you do not have an image on screen, push the left most button on the screen and select BNC1. Once the image appears you are now ready to operate.



## Returns Policy

Thank you for purchasing from Inovus. If you are not entirely satisfied with your product then there are few ways we can help:

### Returns

You have 14 calendar days to return an item from the date you received it. To be eligible for a return, your item must be unused and in the same condition that you received it. Your item must be returned in the original packaging and you must have the receipt or proof of purchase. Responsibility for the product will remain with you until it is received by Inovus.

### Refunds/Replacements

Once we receive your item, we will inspect it and notify you that we have received your returned item. We will immediately notify you on the status of your refund after inspecting the item. If your return is approved, we will initiate a refund to your credit card (or original method of payment) or dispatch a replacement item depending on your preference. If you opt for a full refund you will receive the credit within a certain amount of days, depending on your card issuer's policies.

### Shipping

You will be responsible for paying for your own shipping costs for returning your item. Shipping costs are nonrefundable. If you receive a refund, the cost of return shipping will be deducted from your refund.

### Contact Us

If you have any questions on how to return your item to us, contact us via email at [support@inovus.org](mailto:support@inovus.org) or telephone on (+44) 01744 752952.

Designed and manufactured by



E: [info@inovus.org](mailto:info@inovus.org)

T: +44 (0) 1744 752 952

W: [www.inovus.org](http://www.inovus.org)



---

a c c e s s i b l e   a f f o r d a b l e   f u n c t i o n a l