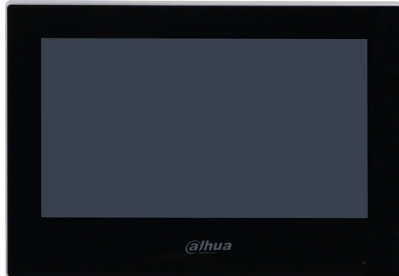


DHI-VTH2621G-P

IP Indoor Monitor



- 7" TFT capacitive touch screen, 1024 × 600
- 6-channel alarm input and 1-channel alarm output
- Standard PoE
- Outdoor station and IPC monitor
- H.265 and H.264 video decoding
- High performance & cost-effective



Technical Specification

System

Main Processor	Embedded processor
Operating System	Embedded Linux operating system
Network Protocol	IPv4; FTP; UPnP; SNMP; DNS; DDNS; RTSP; RTP; TCP; UDP; SIP

Basic

Screen Type	Capacitive touchscreen
Display	7" TFT
Screen Resolution	1024 × 600
Audio Compression	G.711a; G.711u; PCM
Audio Input	1
Audio Output	Built-in speaker
Audio Mode	2-channel
Audio Enhancement	Echo suppression
Audio Bit Rate	16 kHz; 16 bit

Function

Communication Mode	Full digital
Information Release	Receive and view text information released by the management center
DND Mode	Do not disturb period can be set; Do not disturb mode
Number of Extensions	Villa: 9 Apartment: 4

Performance

Casing	PC + ABS
--------	----------

Port

Alarm Input	6
Alarm Output	1
Power Output	1 (12 V/200 mA)
Door Bell	Yes (use any alarm input port)
Network	One 10/100 Mbps Ethernet

Alarm

SOS	Yes
-----	-----

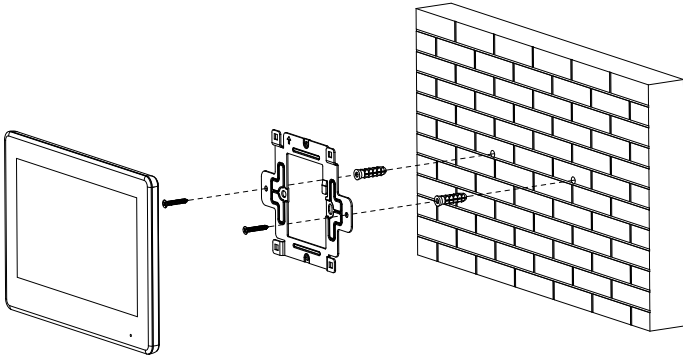
General

Color	Black
Power Supply	12 VDC 1A; Standard PoE (36–57 V, 0.35 A)
Installation	Surface Mount
Certifications	CE; FCC
Accessory	Bracket and alarm ribbon cable (included)
Dimensions	189.6 mm × 134.6 mm × 26.0 mm (7.50" × 5.30" × 1.00")
Operating Temperature	–10 °C to +55 °C (+14 °F to 131 °F)
Operating Humidity	10%–95% RH (non-condensing)
Operating Altitude	Beneath 3,000 m (9,842.52 ft)
Power Consumption	Standby ≤ 2 W; working ≤ 6 W
Net Weight	0.34 kg (0.74 lb)
Gross Weight	0.58 kg (1.27 lb)

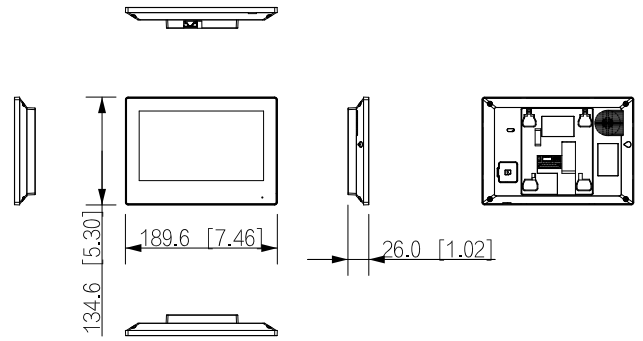
Ordering Information

Type	Model	Description
IP Indoor Monitor	DHI-VTH2621G-P	IP Indoor Monitor

Installation



Dimensions (mm[inch])



Application

