

Electromagnetic Locking



We take the worry out of
protecting what's valuable to you.
Lockwood: *no worries*[®]

LOCKWOOD

ASSA ABLOY

5YEAR

**TRICARE
WARRANTY**

PADDE SERIES

www.lockweb.com.au

Contents



Z4 and Z8 Single Series Non Monitored

Electromagnetic Lock
page 3



Z4 and Z8 Single Series Monitored

Electromagnetic Lock
page 5



Z4 and Z8 Double Series Non Monitored

Electromagnetic Lock
page 7



Z4 and Z8 Double Series Monitored

Electromagnetic Lock
page 9



Z4 Recessed

Electromagnetic Lock
page 11



Weather Resistant

Electromagnetic Lock
page 13



Electromagnetic Lock

Accessories
page 15



Wall and Floor Mounted

Hold-Open Magnet
page 16

Z4 and Z8 Single Series Non Monitored



The Lockwood Padde Series Single Series Electromagnetic Locks operate with holding forces from 250kg up to 580kg. Covering a range of applications the Z4 and Z8 Electromagnets are ideal for applications from cupboard doors through to high use commercial swing doors.

With fixing options including wood, aluminium and steel constructions as well as glass door applications, the range caters to most electromagnetic needs.

Key Features

- Fail-safe: unlocks when power is removed
- Easy installation: suitable for both new and retrofit usage
- High holding force: refer to the technical data overleaf
- Self-alignment: armature plate pivots to accommodate door drop
- Silent operation: no humming or buzzing
- Dual voltage: site selectable 12 or 24 Vdc
- Instantaneous release: smart electronics on the Z Series Electromagnets eliminate residual magnetism
- 5 Year Tricare Warranty (Padde Series)




Applications

- Aluminium doors
- Glass doors
- IT storage rooms
- Access control
- Surface mount for inward and outward swinging doors

Product Details

	Z4 Magnet	Z8 Magnet
Holding Force	250kg-280kg	550kg-580kg
Dimensions	(L)238 x (H)48 x (D) 27 mm	(L)266 x (H)72 x (D) 40 mm
Voltage	12Vdc/ 24Vdc ±10%	12Vdc/ 24Vdc ±10%
Current	280mA @ (12Vdc) 140mA @ (24Vdc)	280mA @ (12Vdc) 140mA @ (24Vdc)
Monitoring	None	None
Operating Temperature	-25 to 55 Degrees	-25 to 55 Degrees
Operating Humidity	0-95%	0-95%

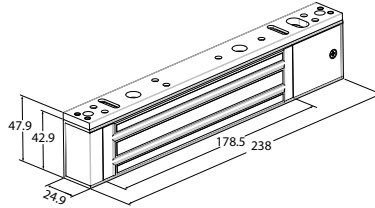
Standards and Compliance

-  Successfully fire rated up to 4 hours on fire door assemblies in accordance with AS1905.1.2005 (Part 1: Fire Resistant Doorsets)
-  CE Approved
-  C-Tick Certified

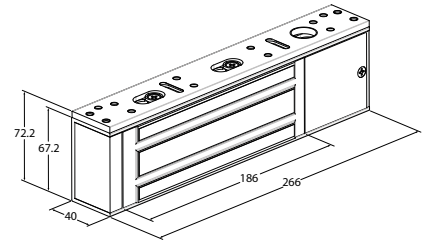
Z4 and Z8 Single Series Non Monitored



Z4 Electromagnetic Lock - Non Monitored



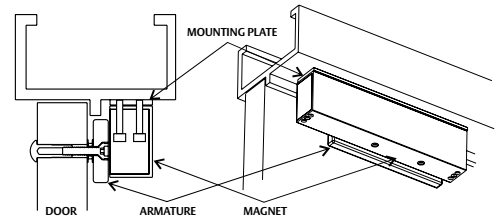
Z4 Electromagnetic Lock



Z8 Electromagnetic Lock



Z8 Electromagnetic Lock - Non Monitored



Typical Install for Z4 & Z8 out swinging doors.

Ordering Information

Part Number	Product Description
EMZ4-SN	EMZ4 E/Magnet 12/24Vdc Single Non Monitored
EMZ8-SN	EMZ8 E/Magnet 12/24Vdc Single Non Monitored
Accessories	
EMZ4B-SLZ	EMZ4 Bracket Single L & Z
EMZ4B-SLZA	EMZ4 Bracket Single L & Z Adjustable
EMZ4B-GU	EMZ4 Bracket Glass U 12Mm Glass
EMZ4B-GA	EMZ4 Bracket Glass Amrature
EMZ4B-AN	EMZ4 Bracket Amrature Non Monitored
EMZ4B-SMP	EMZ4 Bracket Single Mounting Plate
EMZ4SP-SC	EMZ4 Spare Part Screw Kit
EMZ8B-SLZ	EMZ8 Bracket Single L & Z
EMZ8B-SLZA	EMZ8 Bracket Single L & Z Adjustable
EMZ8B-GU	EMZ8 Bracket Glass U 12Mm Glass
EMZ8B-GA	EMZ8 Bracket Glass Amrature
EMZ8B-AN	EMZ8 Bracket Amrature Non Monitored
EMZ8B-SMP	EMZ8 Bracket Single Mounting Plate
EMZ8SP-SC	EMZ8 Spare Part Screw Kit

Specification Statement

The Single Series Electromagnetic Lock should be constructed in an aluminium case with heavy duty electromagnet. The range only operates in fail safe mode and relies on a secondary lock or battery backup system. In some cases the magnet armature plate pivots to accommodate door drop. The lock needs to be equipped with "smart electronics" that have zero residual magnetism (instantaneous release). This is crucial for correct operation.

Z4 and Z8 Single Series Monitored



The Lockwood Padde Series Single Series Monitored Electromagnetic Locks, operate with holding forces from 250kg up to 580kg. These can also be used for doors that need to be monitored in terms of door position and if the door is locked.

Covering a range of applications the Z4 and Z8 Electromagnets are ideal for applications from cupboard doors through to high use commercial swing doors.

With fixing options including wood, aluminium and steel constructions, as well as glass door applications, the range caters to most electromagnetic needs.

Key Features

- Fail-safe: unlocks when power is removed
- Easy installation: suitable for both new and retrofit usage
- High holding force: refer to the technical data overleaf
- Self-alignment: armature plate pivots to accommodate door drop
- Silent operation: no humming or

buzzing

- Dual voltage: site selectable 12 or 24 Vdc
- Monitoring: reed switch monitoring on all models, hall-effect monitoring on Z4 and Z8 models
- Instantaneous release: smart electronics on the Z Series Electromagnets eliminate residual magnetism
- 5 Year Tricare Warranty (Padde Series)

Monitoring

Hall / Bond Monitoring

This indicates that the lock is powered and that the armature plate is in position and magnetically bonded (it monitors if the magnet is locked)

Reed Switch Monitoring

An integrated reed switch monitors the door position separately (it monitors the position of the door)

Applications

- Aluminium doors
- Glass doors
- IT storage rooms
- Access control
- Surface mount for inswing and outswing doors

Product Details

	Z4 Magnet	Z8 Magnet
Holding Force	250kg-280kg	550kg-580kg
Dimensions	(L)238 x (H)48 x (D) 27 mm	(L)266 x (H)72 x (D) 40 mm
Voltage	12Vdc/ 24Vdc ±10%	12Vdc/ 24Vdc ±10%
Current	450mA @ (12Vdc) 225mA @ (24Vdc)	512mA @ (12Vdc) 256mA @ (24Vdc)
Monitoring	Hall-Effect and Reed Switch	Hall-Effect and Reed Switch
Operating Temperature	-25 to 55 Degrees	-25 to 55 Degrees
Operating Humidity	0-95%	0-95%

Standards and Compliance



Successfully fire rated up to 4 hours on fire door assemblies in accordance with AS1905.1.2005 (Part 1: Fire Resistant Doorsets)



CE Approved



C-Tick Certified

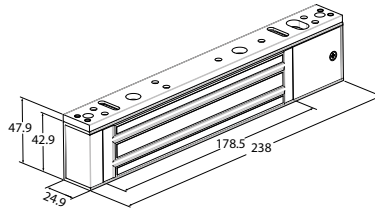


PADDE SERIES

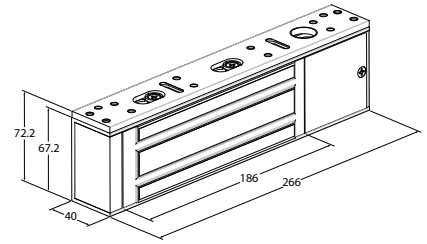
Z4 and Z8 Single Series Monitored



Z4 Electromagnetic Lock - Monitored



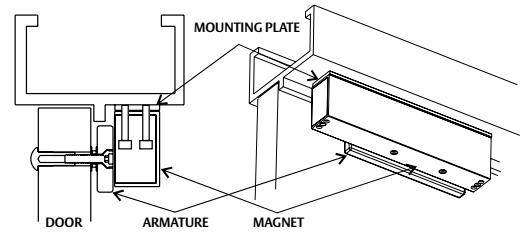
Z4 Electromagnetic Lock



Z8 Electromagnetic Lock



Z8 Electromagnetic Lock - Monitored



Typical Install for Z4 & Z8 out swinging doors.

Ordering Information

Part Number	Product Description
EMZ4-SM	EMZ4 E/Magnet 12/24Vdc Single Monitored
EMZ8-SM	EMZ8 E/Magnet 12/24Vdc Single Monitored
Accessories	
EMZ4B-SLZ	EMZ4 Bracket Single L & Z
EMZ4B-SLZA	EMZ4 Bracket Single L & Z Adjustable
EMZ4B-GU	EMZ4 Bracket Glass U 12mm
EMZ4B-GA	EMZ4 Bracket Glass Amrature
EMZ4B-AM	EMZ4 Bracket Amrature Monitored W/Magnet
EMZ4B-SMP	EMZ4 Bracket Single Mounting Plate
EMZ4SP-SC	EMZ4 Spare Part Screw Kit
EMZ4SP-PCBM	EMZ4 Spare Part Pcb Monitored
EMZ8B-SLZ	EMZ8 Bracket Single L & Z
EMZ8B-SLZA	EMZ8 Bracket Single L & Z Adjustable
EMZ8B-GU	EMZ8 Bracket Glass U 12Mm
EMZ8B-GA	EMZ8 Bracket Glass Amrature
EMZ8B-AM	EMZ8 Bracket Amrature Monitored W/Magnet
EMZ8B-SMP	EMZ8 Bracket Single Mounting Plate
EMZ8SP-SC	EMZ8 Spare Part Screw Kit
EMZ8SP-PCBM	EMZ8 Spare Pcb Monitored

Specification Statement

The Single Series Electromagnetic Lock should be constructed in an aluminium case with heavy duty electromagnet. The range only operates in fail safe mode and relies on a secondary lock or battery backup system. In some cases the magnet armature plate pivots to accommodate door drop. The lock needs to be equipped with "smart electronics" that have zero residual magnetism (instantaneous release). This is crucial for correct operation.

Z4 and Z8 Double Series Non Monitored



The Lockwood Padde Series Double Series Electromagnetic Locks operate with holding forces from 500kg up to 1160kg. Covering a range of applications these magnets are ideal for applications from access ways through to high use commercial swing doors. With fixing options including wood, aluminium and steel constructions as well as glass door applications, the range caters to most electromagnetic needs.

Key Features

- Fail-safe: unlocks when power is removed
- Easy installation: suitable for both new and retrofit usage
- High holding force: refer to the technical data overleaf
- Self-alignment: armature plate pivots to accommodate door drop
- Silent operation: no humming or buzzing
- Dual voltage: site selectable 12 or 24 Vdc
- Instantaneous release: smart electronics on the electromagnets eliminate residual magnetism
- 5 Year Tricare Warranty (Padde Series)


Applications

- Aluminium doors
- Double swing doors
- Access control
- Surface mount for inswing and outswing doors


Product Details

	Z4 Magnet	Z8 Magnet
Holding Force	500kg-560kg	1100kg-1160kg
Dimensions	(L)476 x (H)48 x (D) 27 mm	(L)532 x (H)72 x (D) 40 mm
Voltage	12Vdc/ 24Vdc ±10%	12Vdc/ 24Vdc ±10%
Current	900mA @ (12Vdc) 450mA @ (24Vdc)	1024mA @ (12Vdc) 512mA @ (24Vdc)
Monitoring	None	None
Operating Temperature	-25 to 55 Degrees	-25 to 55 Degrees
Operating Humidity	0-95%	0-95%

Standards and Compliance

 Successfully fire rated up to 4 hours on fire door assemblies in accordance with AS1905.1.2005 (Part 1: Fire Resistant Doorsets)

 CE Approved

 C-Tick Certified

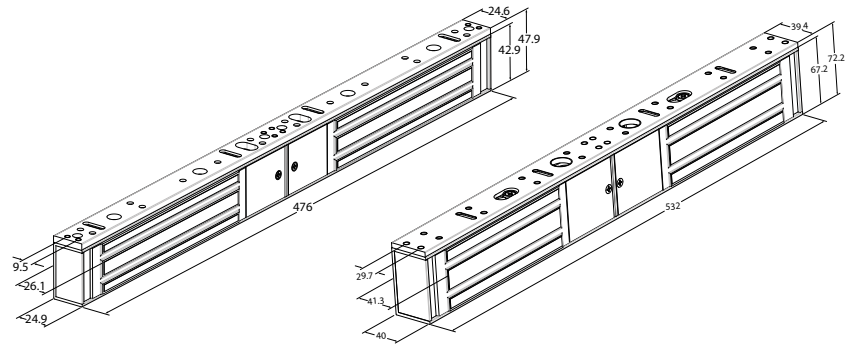
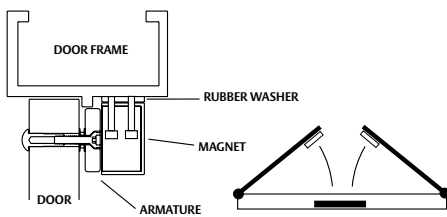
Z4 and Z8 Double Series Non Monitored



Z4 Double Electromagnetic Lock - Non Monitored



Z8 Double Electromagnetic Lock - Non Monitored



Out swinging door using the standard mounting plate.

Z4 Electromagnetic Lock

Z8 Electromagnetic Lock

Ordering Information

Part Number	Product Description
EMZ4-DN	EMZ4 E/Magnet 12/24Vdc Double Non Monitored
EMZ8-DN	EMZ8 E/Magnet 12/24Vdc Double Non Monitored
Accessories	
EMZ4B-DLZ	EMZ4 Bracket Double L & Z
EMZ4B-DLZA	EMZ4 Bracket Double L & Z Adjustable
EMZ4B-AN	EMZ4 Bracket Amrature Non Monitored
EMZ4B-DMP	EMZ4 Bracket Double Mounting Plate
EMZ4SP-SC	EMZ4 Spare Part Screw Kit
EMZ8B-DLZ	EMZ8 Bracket Double L & Z
EMZ8B-DLZA	EMZ8 Bracket Double L & Z Adjustable
EMZ8B-AN	EMZ8 Bracket Amrature Non Monitored
EMZ8B-DMP	EMZ8 Bracket Double Mounting Plate
EMZ8SP-SC	EMZ8 Spare Part Screw Kit

Specification Statement

The Double Series Electromagnetic Lock should be constructed in an aluminium case with heavy duty electromagnet. The range only operates in fail safe mode and relies on a secondary lock or battery backup system. The lock needs to be equipped with "smart electronics" that have zero residual magnetism (instantaneous release). This is crucial for correct operation.

Z4 and Z8 Double Series Monitored



Lockwood Padde Series Double Series Monitored Electromagnetic Locks, operate with holding forces from 500kg up to 1160kg.

These can also be used for doors that need to be monitored in terms of door position and if the door is locked.

Covering a range of applications the Z4 and Z8 Electromagnets are ideal for applications from cupboard doors through to high use commercial swing doors.

With fixing options including wood, aluminium and steel constructions, as well as glass door applications, the range caters to most electromagnetic needs.

Key Features

- Fail-safe: unlocks when power is removed
- Easy installation: suitable for both new and retrofit usage
- High holding force: refer to the technical data overleaf
- Self-alignment: armature plate pivots to accommodate door drop

- Silent operation: no humming or buzzing
- Dual voltage: site selectable 12 or 24 Vdc
- Monitoring: hall-effect and reed switch monitoring on all models
- Instantaneous release: smart electronics on the Z Series Electromagnets eliminate residual magnetism
- 5 Year Tricare Warranty (Padde Series)

Applications

- Aluminium doors
- Double swing doors
- Access control
- Surface mount for inswing and outswing doors

Monitoring

Hall / Bond Monitoring

This indicates that the lock is powered and that the armature plate is in position and magnetically bonded (it monitors if the magnet is locked)

Reed Switch Monitoring

An integrated reed switch monitors the door position separately (it monitors the position of the door)

Product Details

	Z4 Magnet	Z8 Magnet
Holding Force	500kg-560kg	1100kg-1160kg
Dimensions	(L)476 x (H)48 x (D) 27 mm	(L)532 x (H)72 x (D) 40 mm
Voltage	12Vdc/ 24Vdc ±10%	12Vdc/ 24Vdc ±10%
Current	900mA @ (12Vdc) 450mA @ (24Vdc)	1024mA @ (12Vdc) 512mA @ (24Vdc)
Monitoring	Hall-Effect and Reed Switch	Hall-Effect and Reed Switch
Operating Temperature	-25 to 55 Degrees	-25 to 55 Degrees
Operating Humidity	0-95%	0-95%

Standards and Compliance



Successfully fire rated up to 4 hours on fire door assemblies in accordance with AS1905.1.2005 (Part 1: Fire Resistant Doorsets)



CE Approved



C-Tick Certified

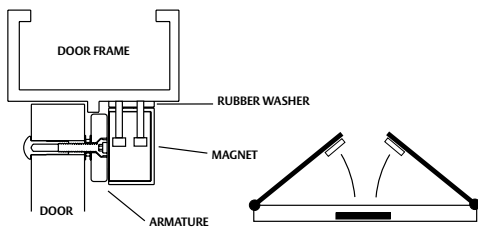
Z4 and Z8 Double Series Monitored



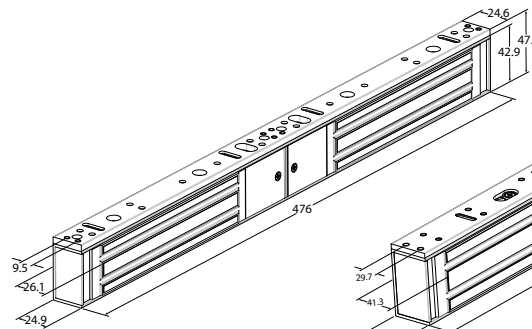
Z4 Double Electromagnetic Lock - Monitored



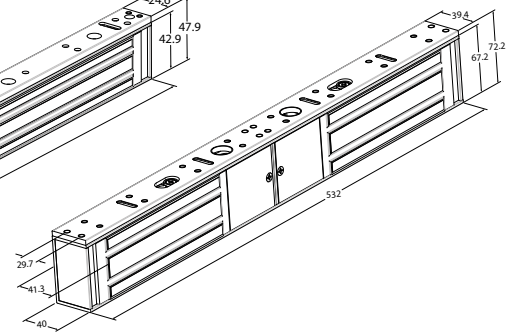
Z8 Double Electromagnetic Lock - Monitored



Out swinging door using the standard mounting plate.



Z4 Electromagnetic Lock



Z8 Electromagnetic Lock

Ordering Information

Part Number	Product Description
EMZ4-DM	EMZ4 E/Magnet 12/24Vdc Double Monitored
EMZ8-DM	EMZ8 E/Mag 12/24Vdc Double Monitored
Accessories	
EMZ4B-DLZ	EMZ4 Bracket Double L & Z
EMZ4B-DLZA	EMZ4 Bracket Double L & Z Adjustable
EMZ4B-AM	EMZ4 Bracket Amrature Monitored W/Magnet
EMZ4B-DMP	EMZ4 Bracket Double Mounting Plate
EMZ4SP-SC	EMZ4 Spare Part Screw Kit
EMZ4SP-PCBM	EMZ4 Spare Part Pcb Monitored
EMZ8B-DLZ	EMZ8 Bracket Double L & Z
EMZ8B-DLZA	EMZ8 Bracket Double L & Z Adjustable
EMZ8B-AM	EMZ8 Bracket Amrature Monitored W/Magnet
EMZ8B-DMP	EMZ8 Bracket Double Mounting Plate
EMZ8SP-SC	EMZ8 Spare Part Screw Kit
EMZ8SP-PCBM	EMZ8 Spare Pcb Monitored

Specification Statement

The Double Series Electromagnetic Lock should be constructed in an aluminium base with heavy duty electromagnet. The range only operates in fail safe mode and relies on a secondary lock or battery backup system. The lock needs to be equipped with "smart electronics" that have zero residual magnetism (instantaneous release). This is crucial for correct operation.

Z4 Recessed Electromagnetic Lock



The Lockwood Padde Series Z4 Recessed Electromagnetic Locks operate with holding forces up to 280kg. Covering a range of applications these magnets are ideal for situations where the magnet needs to be recessed such as swing and sliding doors. With fixing options including wood, aluminium and steel constructions, the range caters to most needs. The electromagnets are available in both monitored and non monitored models, using hall-effect monitoring on some. These electromagnetic locks are CSIRO approved for use on fire doors and are characterised by their high quality and proven reliability in both fire and security applications.

Key Features

- Fail-safe: unlocks when power is removed
- Easy installation: suitable for both new and retrofit usage
- High holding force: refer to the technical data overleaf
- Self-alignment: armature plate pivots to accommodate door drop
- Silent operation: no humming or buzzing
- Dual voltage: site selectable 12 or 24 Vdc
- Monitored versions: hall-effect status monitoring available on some models
- Instantaneous release: smart electronics on the Z4 Recessed Electromagnetic Lock eliminate residual magnetism
- 5 Year Tricare Warranty (Padde Series)



Applications

- Various sliding door applications

Product Details

	Z4 Magnet Non Monitored	Z4 Magnet Monitored
Holding Force	250kg-280kg	250kg-280kg
Dimensions	(L)182 x (H)42 x (D)23 mm	(L)182 x (H)42 x (D)23 mm
Voltage	12Vdc/ 24Vdc \pm 10%	12Vdc/ 24Vdc \pm 10%
Current	450mA @ (12Vdc) 225mA @ (24Vdc)	450mA @ (12Vdc) 225mA @ (24Vdc)
Monitoring	None	None
Operating Temperature	-25 to 55 Degrees	-25 to 55 Degrees
Operating Humidity	0-95%	0-95%

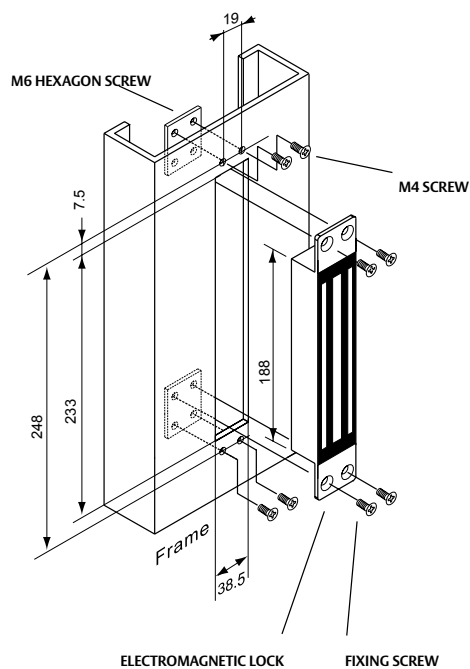
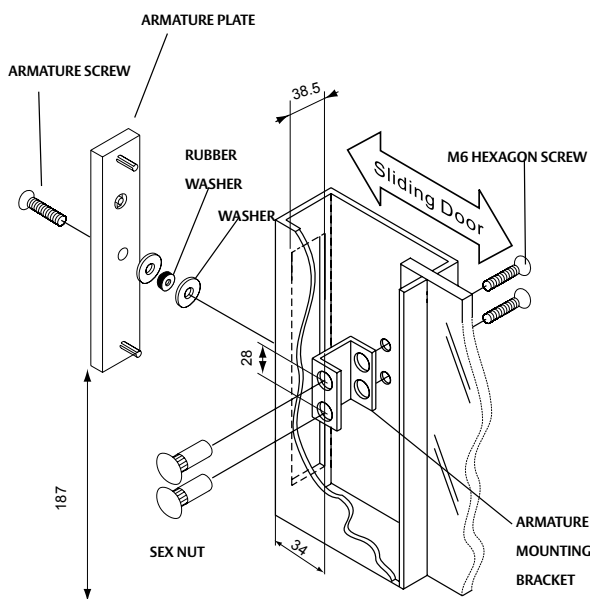
Standards and Compliance

-  CE Approved
-  C-Tick Certified

Z4 Recessed Electromagnetic Lock



Z4 Recessed Electromagnetic Lock



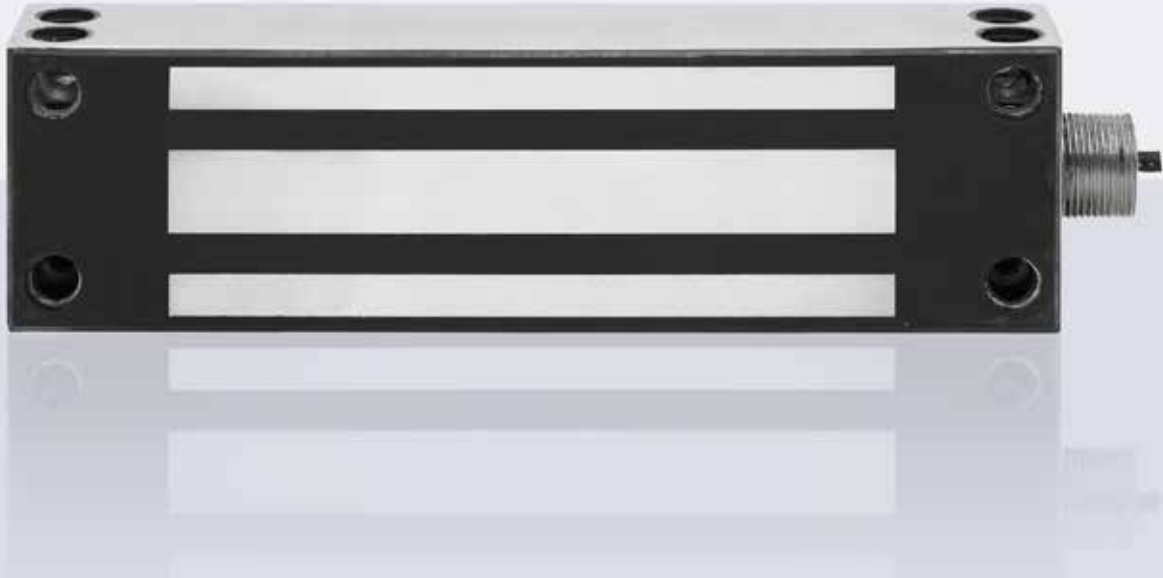
Ordering Information

Part Number	Product Description
EMZ4-RSN	EMZ4 E/Magnet Recessed 12/24Vdc Single Non Monitored
EMZ4-RSM	EMZ4 E/Magnet Recessed 12/24Vdc Single Monitored

Specification Statement

The Z4 Recessed Electromagnetic Lock should be constructed in an aluminium case with heavy duty electromagnet. The range only operates in fail safe mode and relies on a secondary lock or battery backup system. The lock needs to be equipped with “smart electronics” that have zero residual magnetism (instantaneous release). This is crucial for correct operation.

Weather Resistant Electromagnetic Lock



The Lockwood Padde Series Weather Resistant Electromagnetic Lock operates with holding forces from 250kg up to 580kg. Covering a range of applications these are ideal where magnets are exposed to the weather. With fixing options including wood, aluminium and steel constructions as well as glass door applications, the range caters to most external needs. The electromagnets are available in monitored models using hall-effect monitoring. These electromagnetic locks are CSIRO approved for use on fire doors and are characterised by their high quality and proven reliability in both fire and security applications. The “smart electronics” have zero residual magnetism meaning instantaneous release when required. An additional advantage is the ability to select either 12V or 24V DC application on site.

Key Features

- Fail-safe: unlocks when power is removed
- Easy installation: suitable for both new and retrofit usage
- Self-alignment: armature plate pivots to accommodate door drop
- Silent operation: no humming or buzzing
- Dual voltage: site selectable 12 or 24 Vdc
- Monitored versions: hall-effect status monitoring available
- 5 Year Tricare Warranty (Padde Series)

Monitoring

Hall / Bond Monitoring

Hall-effect position sensors are non-contact devices that convert energy from a magnetic field into an electrical signal. This indicates that the lock is powered and that the armature plate is in position and magnetically bonded (it monitors if the magnet is locked).

Applications



- Outdoor / exposed doors
- Doors located in coastal areas

Product Details

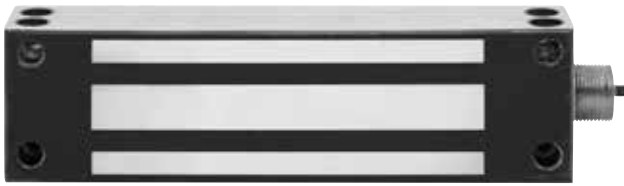
Z8 Weather Resistant Electromagnet

Holding Force	550kg-580kg
Dimensions	(L)230 x (H)67 x (D)43 mm
Voltage	12Vdc/ 24Vdc ±10%
Current	512mA @ (12Vdc) 256mA @ (24Vdc)
Monitoring	Hall-Effect
Operating Temperature	-25 to 55 Degrees
Operating Humidity	0-95%

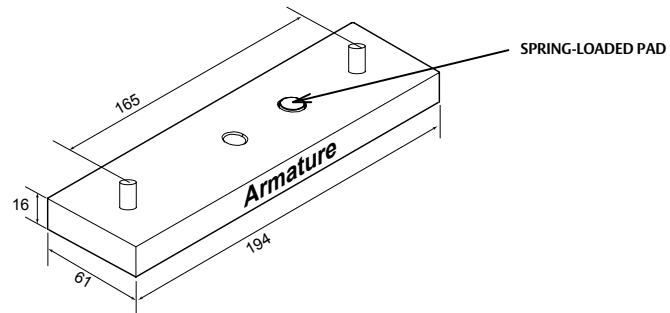
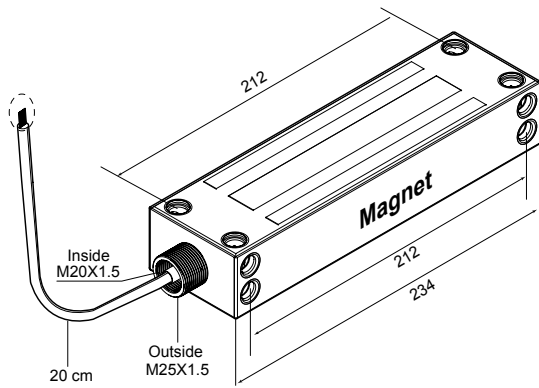
Standards and Compliance

	CE Approved
	C-Tick Certified

Weather Resistant Electromagnetic Lock



Z8 Weather Resistant Electromagnetic Lock - Monitored



Ordering Information

Part Number	Product Description
EMZ8-WSM	EMZ8 E/Magnet Weather Res 12/24Vdc Single Monitored

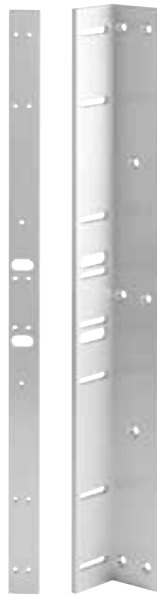
Specification Statement

The Weather Resistant Electromagnetic Lock should be constructed in an aluminium case with heavy duty electromagnet. The range only operates in fail safe mode and relies on a secondary lock or battery backup system. In some cases the magnet armature plate pivots to accommodate door drop.

Electromagnetic Lock Accessories



L and Z Brackets



Angle Bracket



Armature Plate



Glass Door "U" Bracket

The Lockwood Padde Series Electromagnetic Lock range offers a number of accessory options. These accessories allow the electromagnetic locks to be used in a number of different applications and can be adjusted and suited to each situation. This allows the installer to configure the door as required allowing user specific features such as open in / open out selection or glass door applications. Lockwood's Electromagnetic Lock accessories meet or exceed local and international standards, providing safe and secure locking.

Key Features

- Adjustable fixing positions
- Cast aluminium construction
- Meet and exceed international and local standards

Applications

- Open in/open out doors
- Glass door security
- Double doors security
- Sliding door security

Ordering Information

Part Number	Product Description
Z4 Brackets	
EMZ4B-SLZ	EMZ4 Bracket Single L & Z
EMZ4B-DLZ	EMZ4 Bracket Double L & Z
EMZ4B-SLZA	EMZ4 Bracket Single L & Z Adjustable
EMZ4B-DLZA	EMZ4 Bracket Double L & Z Adjustable
EMZ4B-GU	EMZ4 Bracket Glass U 12Mm
EMZ4B-GA	EMZ4 Bracket Glass Amrature
EMZ4B-AN	EMZ4 Bracket Amrature Non Monitored
EMZ4B-AM	EMZ4 Bracket Amrature Monitored W/Magnet
EMZ4B-SMP	EMZ4 Bracket Single Mounting Plate
EMZ4B-DMP	EMZ4 Bracket Double Mounting Plate
Z8 Brackets	
EMZ8B-SLZ	EMZ8 Bracket Single L & Z
EMZ8B-DLZ	EMZ8 Bracket Double L & Z
EMZ8B-SLZA	EMZ8 Bracket Single L & Z Adjustable
EMZ8B-DLZA	EMZ8 Bracket Double L & Z Adjustable
EMZ8B-GU	EMZ8 Bracket Glass U 12Mm
EMZ8B-GA	EMZ8 Bracket Glass Amrature
EMZ8B-DMP	EMZ8 Bracket Double Mounting Plate
EMZ8B-SMP	EMZ8 Bracket Single Mounting Plate
EMZ8B-AN	EMZ8 Bracket Amrature Non Monitored
EMZ8B-AM	EMZ8 Bracket Amrature Monitored W/Magnet

Wall and Floor Mounted Hold-Open Magnets



The Lockwood Padde Series EM830 Series of Hold Open Magnets can work as standalone or with an integrated fire system. These fail-safe devices will automatically release if connected to a fire detection system.

Some models include integrated "interrupter buttons" giving the ability to open or close the door manually at any time. Other models have an integrated soft close shock absorbers for silent operation i.e. in Hospitals

Key Features

- Fail Safe Operation – Unlocks when power is removed
- Shock absorber for soft close (model dependent)
- Integrated Interrupter push-button (model dependent)
- Modern Design
- Silent Operation (no humming)
- Easy Install
- Space bracket for wall mount option standard
- 5 Year Tricare Warranty (Padde Series)

Applications

Fire Doors that need to close upon fire signal

- Fire Doors
- Doors that restrict the passage of fire

Non Fire Doors that need to be held open

- Cinema Doors
- Hospital Doors
- Parameter Doors
- Other Doors


Hold open devices are primarily used for fire doors, but not only limited to this application. Other known applications are doors that require to be held open for several hours i.e. with Cabin Hooks. For this application the device needs constant power and no "smarts" are required.

Note: Ensure you select the model with Integrated Interrupter push-button and also buy 24vdc Power supply

Product Details

	EMHO830-1	EMHO830-2	EMHO830-3	EMHO830-4
Wall & Floor Mount	Yes	Yes	Yes	Yes
Integrated Interrupter pushbutton	No	No	Yes	Yes
Shock Absorber	No	Yes	No	Yes
Holding Force	150 kg	150 kg	150 kg	150 kg
Voltage	24vDC	24vDC	24vDC	24vDC
Operating Temperature	0-50°C	0-50°C	0-50°C	0-50°C
Floor Spacing	110 mm	110 mm	110 mm	110 mm
Wall Spacing	190 mm	215 mm	190 mm	215 mm
Continuous Duty	100%ED	100%ED	100%ED	100%ED

Standards and Compliance

 CE Approved

 C-Tick Certified

IP 40 Rating

Wall and Floor Mounted Hold-Open Magnets



EMHO830-1



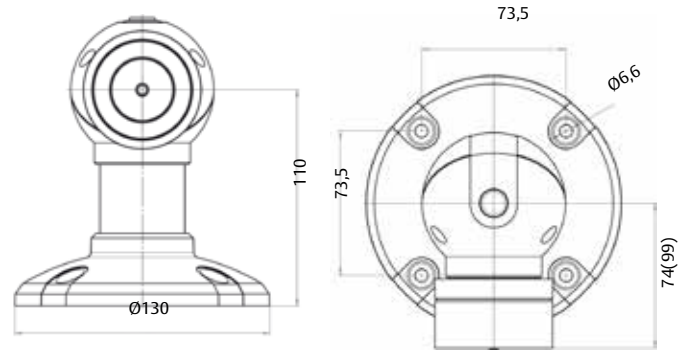
EMHO830-2



EMHO830-3



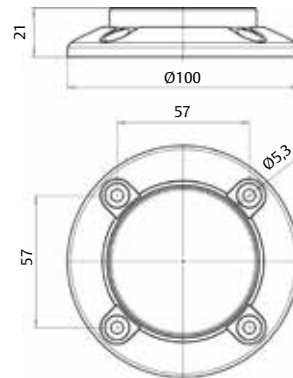
EMHO830-4



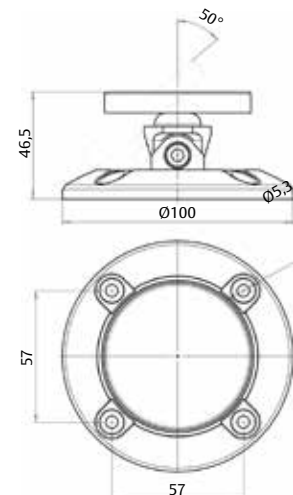
EM 830 Magnet Dimensions



EF800 Hold Bracket
(Ordered Separately)



EF800 Hold Swivel Bracket
(Ordered Separately)



Wall and Floor Mounted Hold-Open Magnets

Ordering Information

Part Number	Product Description
EMHO830-1	EM830 E/Hold Magnet 24Vdc
EMHO830-2	EM830 E/Hold Magnet 24Vdc Shock Abs
EMHO830-3	EM830 E/Hold Magnet 24Vdc Inter Button
EMHO830-4	EM830 E/Hold Magnet 24Vdc Shock Abs + Inter Button
EMHOB-1	EM800 Hold Open Bracket
EMHOB-2	EM800 Hold Open Swivel Bracket
P9625	24V Dc Power Supply



ASSA ABLOY

Lockwood is the leading brand in the Australian locking industry. With an established reputation for high quality products, this iconic brand provides a wide range of locking solutions to residential housing, commercial building and industrial application markets. Lockwood is supported by an extensive distribution and after-sales support network. Our customers include retailers, architects, trade and industrial personnel, locksmiths and security dealers.

ASSA ABLOY is the global leader in door opening solutions, dedicated to satisfying end-user needs for security, safety and convenience.

ASSA ABLOY is represented in all major regions, in both mature and emerging markets, with leading positions in Australia, Europe and North America.



PADDE SERIES

The 5 Year Tricare Warranty

Our belief that we manufacture the finest premium products available in today's market place is backed by the 5 Year Tricare Warranty, ensuring that Lockwood continues to keep Australians safe by delivering security and peace of mind.

For warranty terms and conditions, please visit www.lockweb.com.au or call **1300WARRANTY**

ASSA ABLOY Australia Pty Ltd
235 Huntingdale Road
Oakleigh, Victoria, 3166
Australia

1300 LOCK UP (1300 562 587)
lockweb.com.au

