

NVR 71

576 Mbps /128 Channel
Network Video Recorder



OVERVIEW

The Aritech TruVision® NVR 71 (TVN 71) is a high performance Network Video Recorder that supports up to 576 Mbps of incoming camera bandwidth, or up to 128 IP camera channels. Designed to accommodate large amounts of data, the NVR 71 is equipped with up to 64TB of embedded storage in a RAID configuration, or up to 96TB in a non-RAID configuration.

The NVR 71 delivers reliable performance and innovative features such as RAID, advanced camera settings, failover recording, hard drive grouping, network segregation and a large number of other network redundancy features. Utilising TruVision Navigator Video Management Software, the NVR 71 can also be managed with a license-free standalone or client/host application. In addition, the browser interface offers full functionality for viewing, playback and configuration.

With the same user interface and mobile applications as other TruVision recorders, the NVR 71 can easily be setup and video easily viewed. The use of the TruVision Navigator software minimises the training required for technicians, operators and other system users.

STANDARD FEATURES

Camera Support

- Up to 128 IP channels
- Up to 576 Mbps camera recording bandwidth
- IP camera configuration import/export
- Native TruVision IP camera support
- 3rd-party IP camera support via Onvif and RTSP Stream

Recording Capabilities

- Linux embedded operating system configuration
- Real-time Full HD recording
- Custom protocol configuration (RTSP streaming)
- Motion detection, VCA, privacy masking and tamper detection
- Motion search supported on select TruVision IP camera models

Storage

- Up to 96TB embedded storage (16 x 6TB) non-RAID
- Up to 96TB embedded storage (16 x 4TB) RAID
- RAID 0/1/5/6/10 support
- Flip-down front panel for easy HDD access, servicing and expansion

High Fault-tolerant Design

- Network redundancy (NIC, port, network)
- Dual built-in PSUs with redundancy support
- Removable dual-fan module
- Recorder failover functionality
(one failover unit per 4 operational recorders)

Software & Integration Capabilities

- Full browser-based access for live, recording and configuration
- Free downloadable TruVision Navigator software
- TVRmobile app for Apple® iOS and Android™ mobile platforms

NVR 71

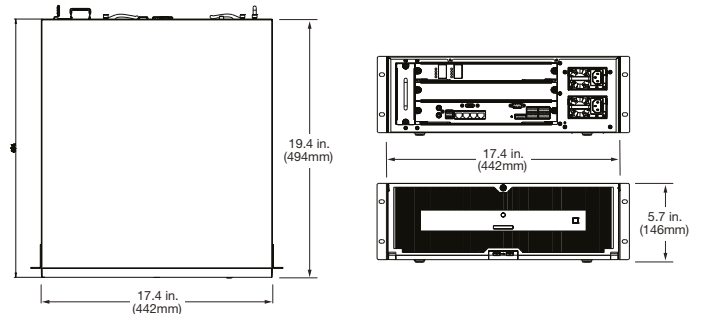
576 Mbps /128 Channel Network Video Recorder

National Sales Enquiries
10 Ferntree Place
Notting Hill, Victoria 3168
Phone: 1300 361 479
Outside Australia: +61 3 9239 1200

Specifications

Video/Audio Input	Maximum Bandwidth Input	576 Mbps
	Maximum IP Camera Input	128 channels
	Maximum Bandwidth per Channel	16Mbps
	Video Standards Supported	H.265, H.264, RTSP custom protocols, ONVIF®
External Interfaces	Audio Input (IP)	Support for cameras with audio out - up to 128 channels
	Audio Input (analogue, non recording)	1-ch, RCA (2.0 Vp-p, 1kΩ)
	Audio Output	1-ch, RCA (Linear, 600Ω)
	Serial Interface	1 RS-232 interface (configuration, maintenance, POS/ATM link)
	USB Interface	2 x USB 2.0 (front), 2 x USB 3.0 (back)
	Alarm Interface	16 inputs and 8 relay outputs
Recording	Recording Resolution	8MPx / 6MPx / 5MPx / 4MPx / 3MPx / 1080P / UXGA / 720P / VGA / 4CIF / DCIF / 2CIF / CIF / QCIF
	SATA	16 SATA interfaces
	Maximum Onboard Storage Capacity	96TB (non-RAID) / 64TB (RAID)
	Recording Modes	Time lapse high, Time lapse low, event, alarm, manual
	Dual Stream Recording	Up to 16 channels
	Auto-archiving	Yes
	RAID	0/1/5/6/10
	Hard Drive Grouping	Yes
	External Recording	eSATA, NAS, SAN
Networking	Network Interface	8 network interfaces (4 x RJ 45 / 4 x SFP)
	Network Ports	4 x RJ 45 & 4 x SFP
	NIC and Port Redundancy	Yes
	Multi-address Mode	Yes, up to 8 LANs
	ezDDNS/DDNS/no-IP.com	Yes
	Total Connections to Recorder (non-viewing)	256
	Total Viewing Streams Available Live	256
	Total Viewing Streams Available Playback	TCP: 128 / UDP: 16
Web Browser Viewing	Total Viewing Streams Available per Camera Channel	128
	Total Viewing Bandwidth Available	512 Mbps
Electrical and Mechanical	Playback Resolution	Up to 8 MPx (depending on monitor resolution)
	Simultaneous/Reverse Playback Browser	Same as normal playback
	Redundant Power Supply	2 x 100 ~ 240 VAC, 6.3 A, 50 ~ 60 Hz
	Power Consumption (without hard disk)	< = 140W
	Operating Temperature	0°C ~ 50°C
	Operating Humidity	10% ~ 90%
	Removable/Serviceable Fan	Yes
	Chassis	3U rack mountable
Operations	Dimensions (W x D x H)	442 x 494 x 146mm
	Weight (without hard disk)	16kg
Operations	Remote	Browser interface / TruVision Navigator / TVRmobile / SDK
	Browser Requirements	Windows®: IE 9 / 10 / 11; Mac®: Safari®

Dimensional Diagram



Ordering Information

Non-Raid - Maximum Storage = 96TB

TVN-7101-000 TruVision NVR 71, 576 Mbps, 0TB (without hard-drive) *

TVN-7101-12T TruVision NVR 71, 576 Mbps, 12TB

Raid - Maximum Storage = 64TB

TVN-7101R-12T TruVision NVR 71, RAID, 576 Mbps, 12TB, Raid

* Hard drive must be purchased separately - refer below

Accessories

TVN-HDD-6TB TruVision Recorder HDD Expansion Kit, 6TB

TVN-HDDR-4TB TruVision Recorder HDD Expansion Kit, 4TB, RAID



Specifications subject to change without notice.
Carrier Fire & Security Australia Pty Ltd.
© 2022 Carrier. All rights reserved. All trademarks are the property of their respective owners.



TruVision_NVR_71_DS_Nov22