

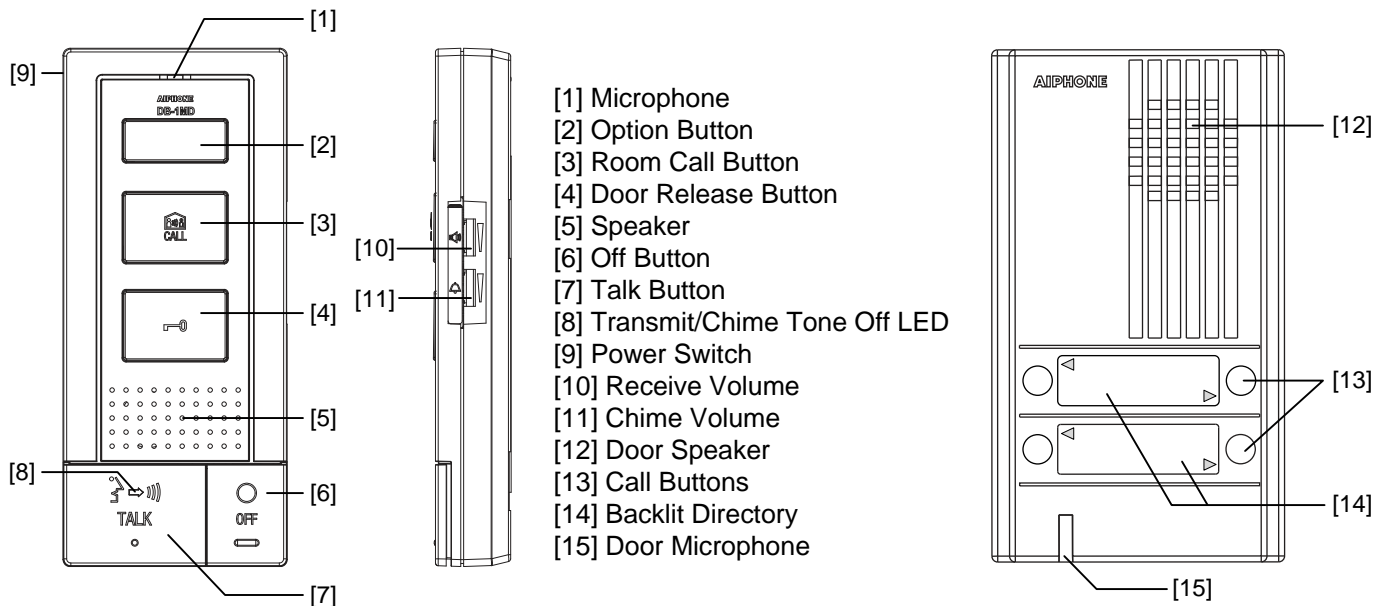
# DB Series

## Hands-Free Two-Wire Door Answering Intercom

### - SUPPLEMENT TO DB INSTRUCTIONS -

The DB Series door station is surface mount with an aluminum faceplate and backlit call directory. The door stations come in one, two, or four call button varieties and each tenant can have up to five interior stations. Multiple button door stations allow system installation in multi-tenant buildings. Communication with the door is hands-free from any wall mounted interior unit. After establishing a visitor's identity, a press of the door release button activates the door strike to allow entry. Interior units communicate by placing an All Call announcement to all other units. Answering the All Call announcement at a different inside location establishes point-to point communication.

## 1 NAMES & FEATURES



### FEATURES:

- Up to 5 stations per door call button (1 master, 4 subs)
- All Call between stations in same residence / office
- Internal communication can be hands-free (VOX) or push-to-talk (PTT)
- Door release powered by door station (**output is 70Ω 9.5 ~ 20V AC**)
- Option button for external device control (**N/O dry contact, AC/DC 24V 1.6A Max**)
- Call tone volume control with LED mute indicator
- Receive volume control
- Optional Call Extension speaker (IER-2)
- Optional external signaling to 3<sup>rd</sup> party bell or light using TAR-3 (used in lieu the IER-2)
- Simple 2-wire connection from door to master for intercom and door release
- 4 wires between master and subs (daisy-chain wiring method only), plus 2 additional for power

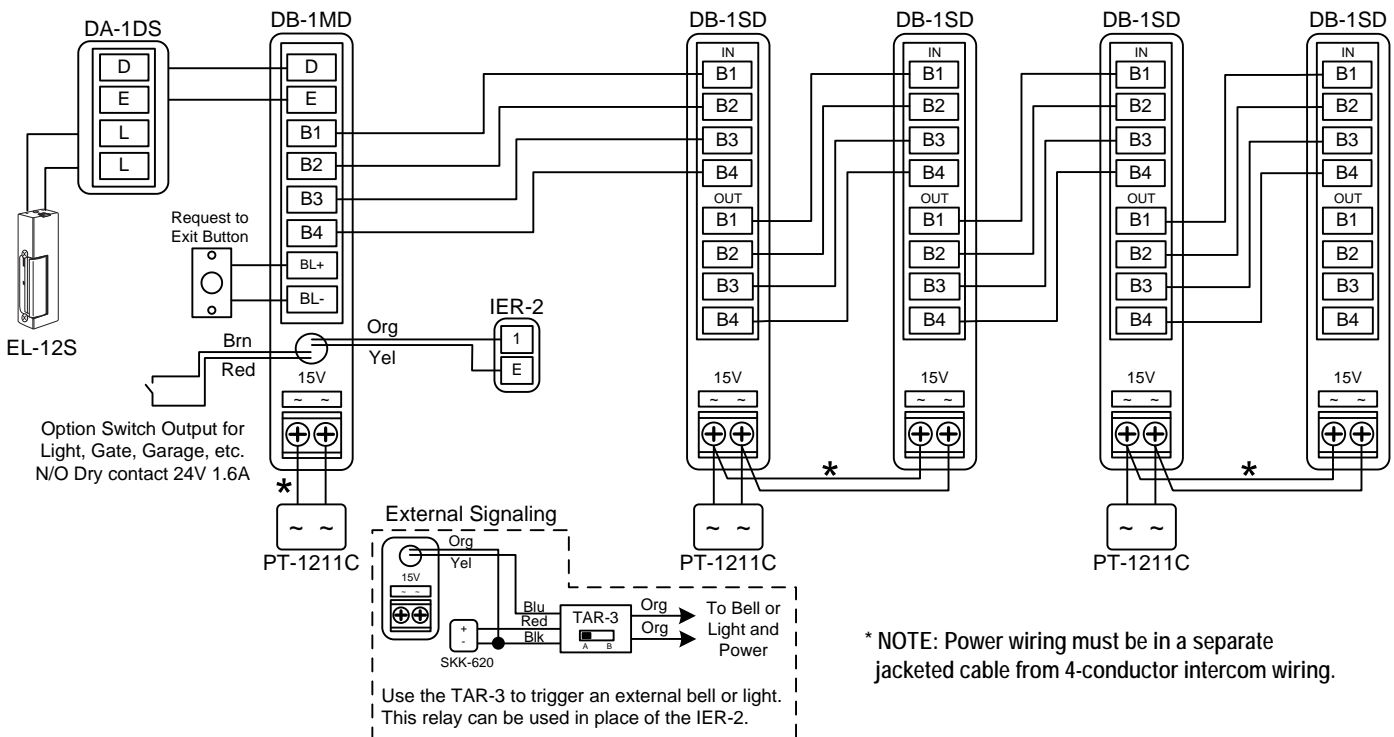
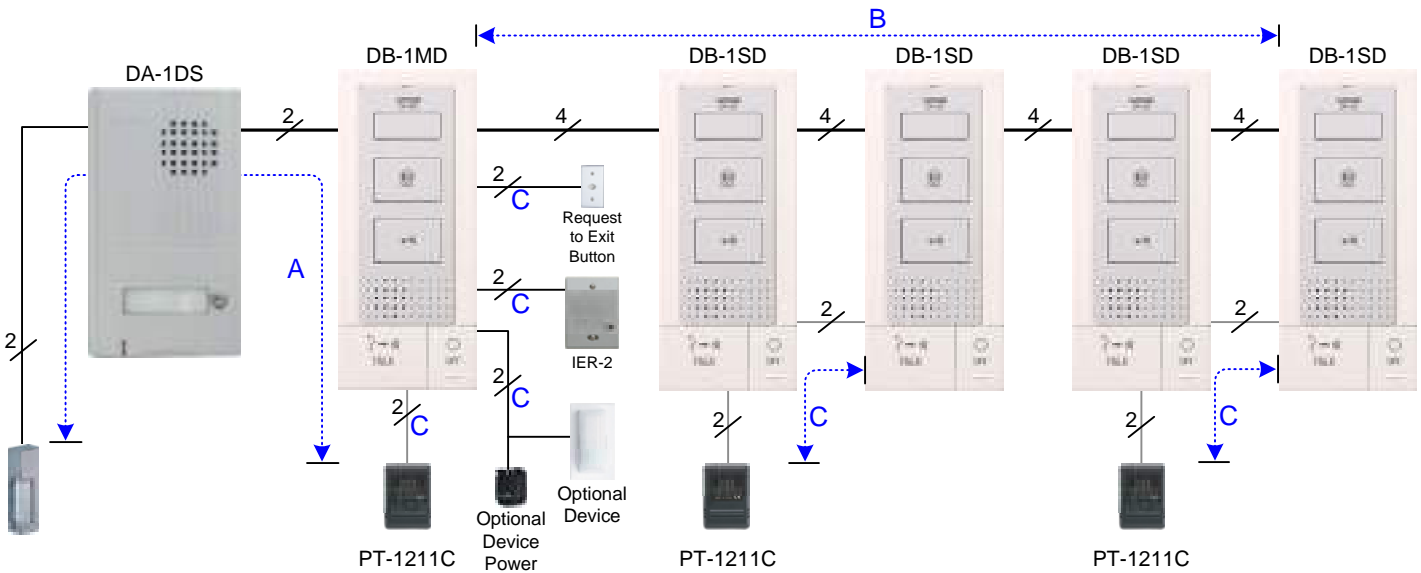
# 2 COMPONENTS & WIRING

## Individual Components for DB System:

- DB-1MD Tenant master station, max. 1 per tenant
- DB-1SD Tenant sub station, max. 4 per tenant
- DA-1DS Single button door station
- DA-2DS Two-button door station
- DA-4DS Four-button door station
- PT-1211C 15VAC transformer, 1 per DB-1MD master, and 1 per 2 DB-1SD sub stations

Wire Distance Chart

	22AWG	20AWG	18AWG
A	360'	660'	1020'
B	330'	330'	330'
C	180'	330'	510'



\* NOTE: Power wiring must be in a separate jacketed cable from 4-conductor intercom wiring.

# 3 PROGRAMMING

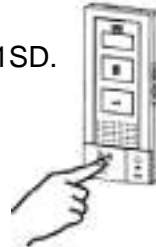
## DB-1SD ID Registration Procedure:

Install and wire all units, plug in the power supplies, then turn on power switches.

**IMPORTANT: Make sure the power switches on all units are ON and the system is in standby mode before beginning registration process.**

1. Before the ID registration is set, the red Talk LED will flash on the DB-1SD's.

2. Push and release the TALK button on the first DB-1SD.



3. The LED will stop flashing to indicate that the ID registration is complete for that unit.

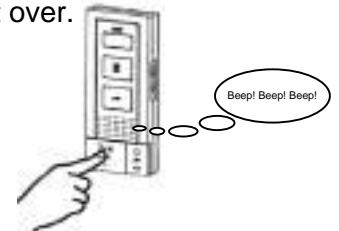


4. Go to each subsequent DB-1SD and push and release the TALK button to register.

5. You're done!

## DB-1SD ID Reset Procedure:

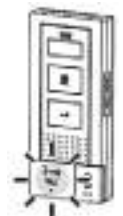
If you get an error tone (3 beeps) when you press the Call button, TALK button, Key button, or Option button, then there is a duplicate ID and you must reset all of the station ID's and start over.



To reset an ID, push and hold the OFF button while pushing the TALK, CALL, and DOOR RELEASE buttons simultaneously.



The LED on the TALK button will begin flashing, indicating that the ID in that unit is no longer set.



Repeat this process for each subsequent DB-1SD in the system, then go back and perform the ID registration procedure again. Start from Step 1 above and repeat for all stations.

# 4 OPERATION & SPECIFICATIONS

---

## OPERATION:

### Hands-Free Mode:

1. Push call button at the door station.
2. The chime tone sounds.
3. Push the TALK button momentarily and after beep, communicate hands-free. Transmit LED lights up when you talk and goes off when you listen to the caller.  
▲ During standby mode, communication with the door station can be established from any interior station by pushing the TALK button.
4. When finished communicating, pushing OFF button will end communication. If OFF is not pressed, communication will end automatically after approximately 1 minute.

### Push-to-Talk (PTT) Mode:

5. If the TALK button is pressed again and held down for 1 second or longer, another beep tone will sound indicating that PTT mode is engaged.
6. When communicating, keep the TALK button pressed. To hear the caller's voice, release the TALK button.
7. When finished communicating, push the OFF button to end communication. If OFF is not pressed, communication will end automatically after approximately 1 minute.

### Activating door release:

8. Push DOOR RELEASE button.
9. The door release is activated as long as the DOOR RELEASE button is pressed. When communication is active, audio will be muted while the DOOR RELEASE button is pressed.

### Room-to-Room Communication:

10. When the CALL button is pressed, a chime tone will sound at all other interior units and you can communicate hands-free from the calling unit to all other units in the system. Communication will time out after approximately 1 minute if there is no answer.
11. If the TALK button is pressed at any one of the called units, hands-free communication is established between the unit that initiated the call and the unit that answered the call.
12. Press the OFF button on either unit to end the communication. If the OFF button is not pressed, room-to-room communication will end after approximately 10 minutes.  
▲ If the DOOR RELEASE button or call button of the door station is pressed during room-to-room communication, communication will end.  
▲ A beeping sound will occur indicating an error if the TALK button or CALL button is pressed while another inside unit is being used.

### Option button:

13. Press the option button to trigger any 3<sup>rd</sup> party optional device (such as a light). The option button will not function when the door release is being activated.

## SPECIFICATIONS:

Power Source:	15V AC. Use 1 PT-1211C per DB-1MD, and 1 PT-1211C per 2 DB-1SD's.
Current Consumption:	DB-1MD: (Max) 320mA, DB-1SD: (Max) 115mA
Power Consumption:	DB-1MD: Standby 0.6W Max 5.6W, DB-1SD: Standby 0.2W Max 1.6W
Calling:	4-stroke Chime (Ding-dong, Ding-dong)
Communication:	Hands-free or push-to-talk (PTT)
Dimensions (HxWxD):	DB-1MD/DB-1SD: 7-5/16" x 3-1/8" x 1-1/16" DA-1DS: 6-7/8" x 4" x 7/8" PT-1211C: 3" x 2-3/8" x 1-7/8"

Door Release  
output rating: 70Ω, AC 9.5V~20V