

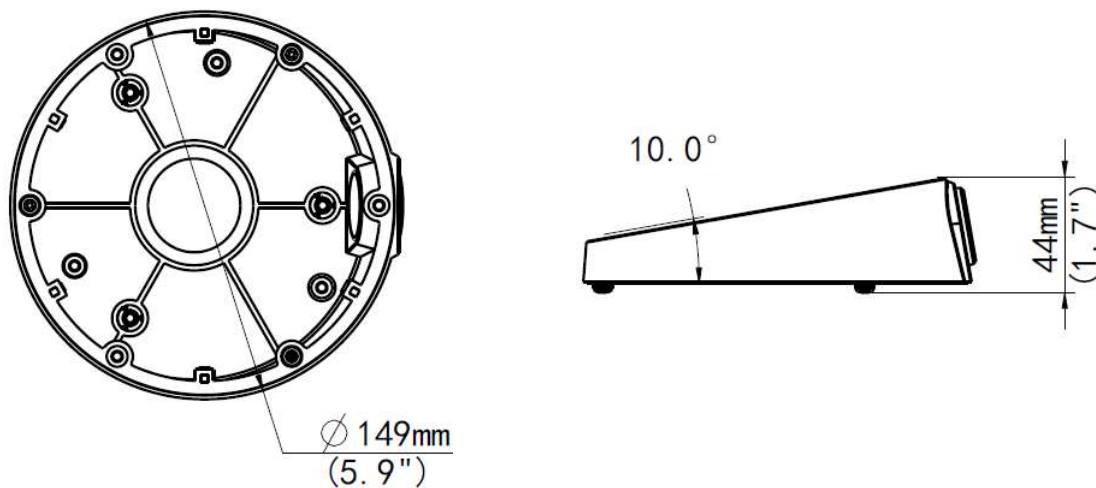
TR-UM06-C-IN 4-Inch Fixed Dome Indoor Incline Mount



Specifications

Bracket	TR-UM06-C-IN
Application	Indoor, incline installation for 4-inch fixed dome, Fisheye camera
Dimensions	Φ149mmx44mm (5.9" x 1.7")
Weight	0.22kg(0.49lb)
Material	Aluminum alloy

Dimensions



Zhejiang Uniview Technologies Co.,Ltd.

South Tower, Building 10, Wanlun Science Park, 88 Jiangling Road, Hangzhou, P.R.China 310051

Email: overseasbusiness@uniview.com; globalsupport@uniview.com

<http://www.uniview.com>

©2015 Zhejiang Uniview Technologies Co.,Ltd. All rights reserved.

*Product specifications and availability are subject to change without notice.