

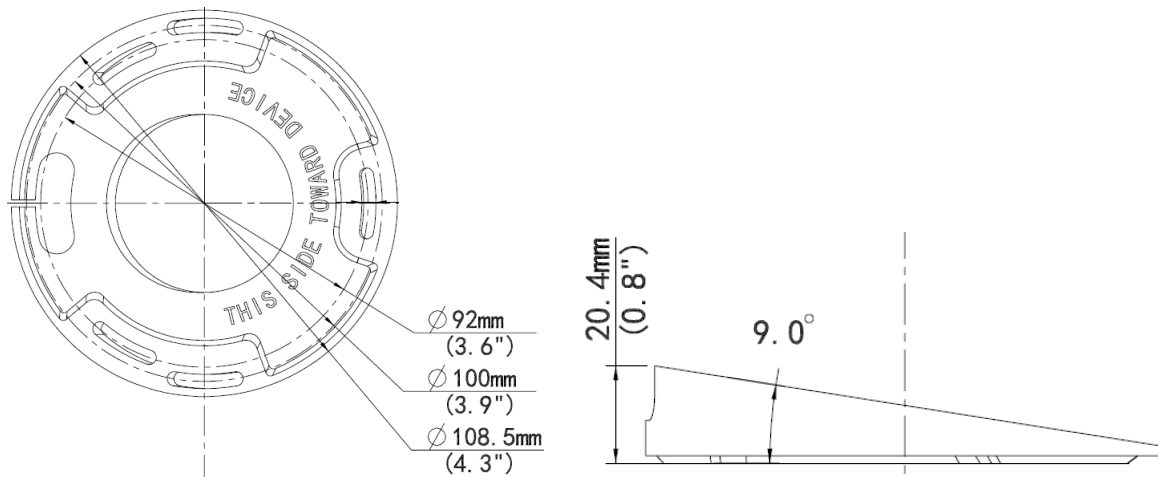
TR-UM06-B-IN 3-Inch Fixed Dome Indoor Incline Mount



Specifications

Bracket	TR-UM06-B-IN
Application	Indoor, incline installation for 3-inch fixed dome
Dimensions	Φ108.5mmx20mm (4.3" x 0.8")
Weight	0.06kg(0.13lb)
Material	VQM

Dimensions



Zhejiang Uniview Technologies Co.,Ltd.

South Tower, Building 10, Wanlun Science Park, 88 Jiangling Road, Hangzhou, P.R.China 310051

Email: overseasbusiness@uniview.com; globalsupport@uniview.com

<http://www.uniview.com>

©2015 Zhejiang Uniview Technologies Co.,Ltd. All rights reserved.

*Product specifications and availability are subject to change without notice.