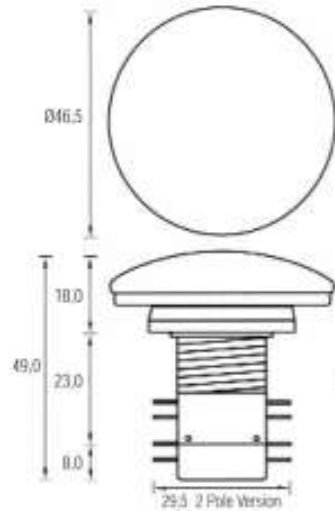
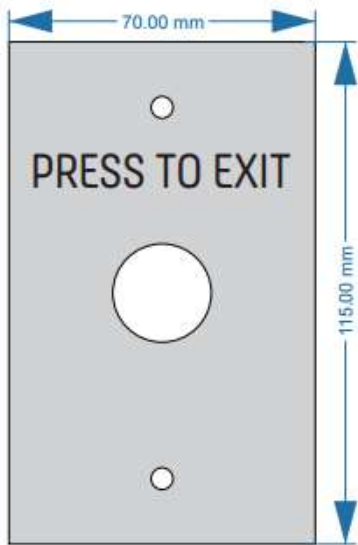


ARLSWP-28G/R/B



SWITCH SPECIFICATIONS

High Impact IP67 Pushbutton Switches. These are best suited to harsh environments and applications where high impacts are possible. They are able to survive an impact of a 5kg mass dropped from 40cm (20J) and are panel sealed to IP67. The bezels and actuators have also been designed from non-sparking zinc alloy.

Attribute	Value
Switch Operation	Momentary
Contact Configuration	SPDT-NO/NC
Mounting Type	Panel Mount
Contact Current Rating	10.1 A @ 250 V ac
Illuminated	No
Actuator Colour	Green

Attribute	Value
Minimum Operating Temperature	-40°C
Terminal Type	Solder, Tab
Maximum Operating Temperature	+135°C
Actuator Type	Button
Operating Temperature Range	-40 ? +135°C
Contact Material	Fine Silver