

Industrial Wide Gap Surface Mount Magnetic Contacts

2500 Series

OVERVIEW

The 2500 Series is designed to be installed in commercial and industrial environments where a rugged sealed unit is required. It is ideal for metal doors, overhead doors, fences and gates. Each model features a high strength extruded aluminum housing and is completely encapsulated in our exclusive polyurethane potting compound. The 2500 series features wide gap distances and several models to meet almost every application need.



STANDARD FEATURES

- Wide gap distance for decreased installation time
- Fewer false alarms
- Fewer service calls
- Five models including SPDT, DPDT and High Security
- Mounting brackets available

Industrial Wide Gap Surface Mount Magnetic Contacts

North America
T 855-286-8889

Latin America
T 561-998-6114

2500 Series

Architectural and Engineering Specifications

The contact shall be a hermetically sealed reed switch nominally 3" L x 1" H x 0.50" D with matching actuating magnet. Mounting holes shall be on 2" centers. Contact and magnets shall be in brushed anodized aluminum tube housing. Contact shall be sealed in our exclusive polyurethane potting compound. Right angle mounting bracket shall be furnished with contact, #1912.

2505A, 2507A

Each contact shall connect to three feet of flex stainless steel conduit.

2507AD (not ULC listed)

The contact shall contain two single-poled double throw reed contacts. Three feet of flex stainless steel conduit shall be permanently attached to the contact.

2507AH (not ULC listed)

The contact shall be a Form C (SPDT) reed contact biased with an Alnico VII magnet. Contact will be difficult to defeat with an external magnet. Three feet of flex stainless steel conduit shall be permanently attached to the contacts.

Ordering Information

2505A-L	Aluminum Housing Armored Cable Contact, Closed Loop, Wide Gap, 3" Gap Size
2507AD-L	Aluminum Housing Armored Cable Contact, DPDT, Wide Gap, 1 1/2" Gap Size, Double Pole-Double Throw
2507AH-L	Aluminum Housing Armored Cable Contact, SPDT, Higher Security, Wide Gap, Biased for Higher Security Applications, 3/4" to 2 1/2" Gap Size, Single Pole-Double Throw
2507A-L	Aluminum Housing Armored Cable Contact, SPDT, Wide Gap, 3" Gap Size, Single Pole-Double Throw
2507-L20	Aluminum Housing 2507 Magnetic Contact, SPDT, 20 ft. Jacketed Lead

Specifications

Form A (2505A)

Voltage	100V AC/DC max
Current	0.5A max.
Power	7.5W max.
European Union Specification	48V AC/DC max.

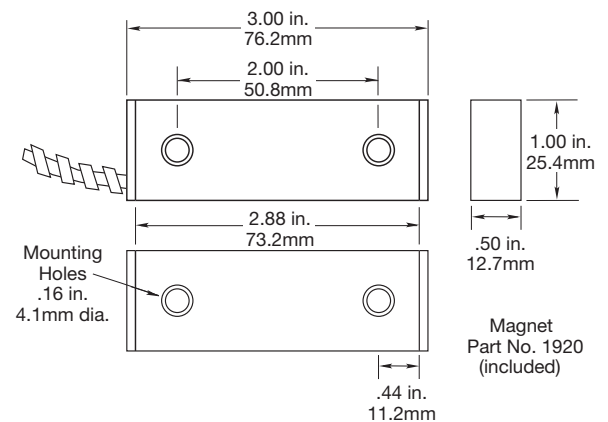
Form C (2507, 2507A, 2507AD, 2507AH)

Voltage	30V AC/DC max
Current	0.25A max
Power	3.0W max.

SPDT Lead Colors

Black	Common
White	Closed loop (N.O.)
Red	Open loop (N.C.)
Listing	C-UL-US, UL-634

Dimensions



interlogix.com

Specifications subject to change without notice.

© 2014 United Technologies Corporation.

All rights reserved.

Interlogix is part of UTC Building & Industrial Systems, a unit of United Technologies Corporation.

306-3686 2014/03 (75104)