

Network Video Recorder

NVR302-E-P-B Series



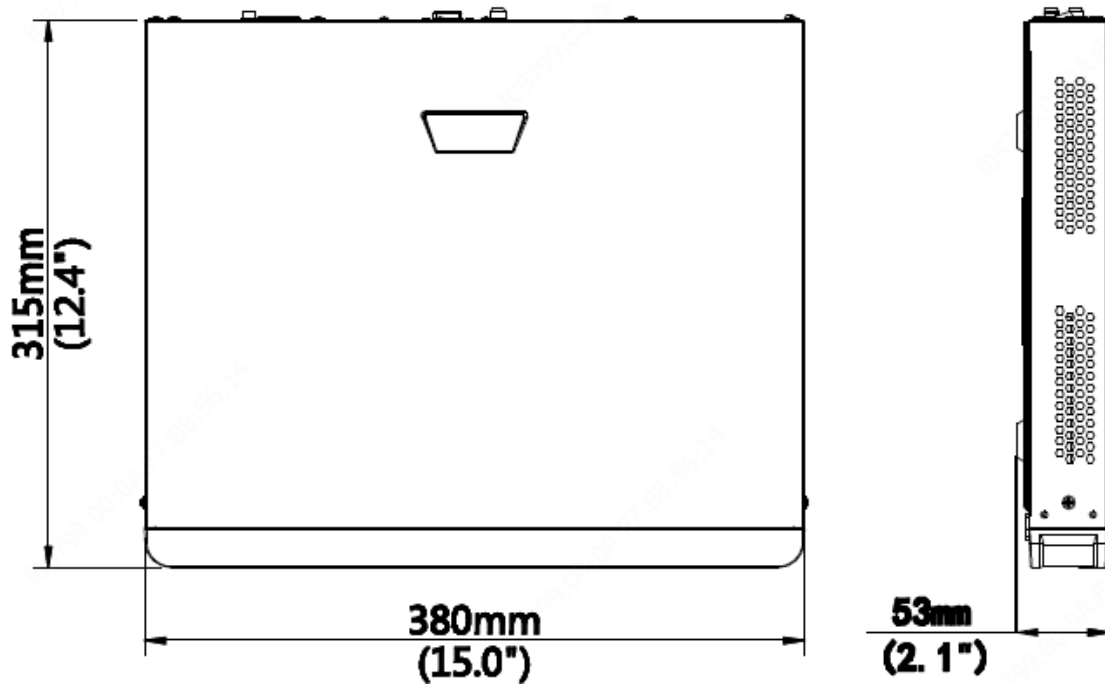
Key Features

- Support Ultra 265/H.265/H.264 video formats
- 8/16-channel input
- Third-party IP cameras supported with ONVIF conformance: Profile S, Profile G, Profile T
- Support 1-ch HDMI, 1-ch VGA, HDMI at up to 4K (3840x2160) resolution
- HDMI and VGA independent outputs provided
- Up to 12 Megapixels resolution recording
- 2 SATA HDDs, up to 10TB for each HDD
- Support redundant recording
- Various fisheye dewarping modes for live view and playback for both web interface and GUI
- Plug & Play with up to 8/16 independent PoE network interfaces
- ANR technology to enhance the storage reliability when the network is disconnected
- Support cloud upgrade

Specifications

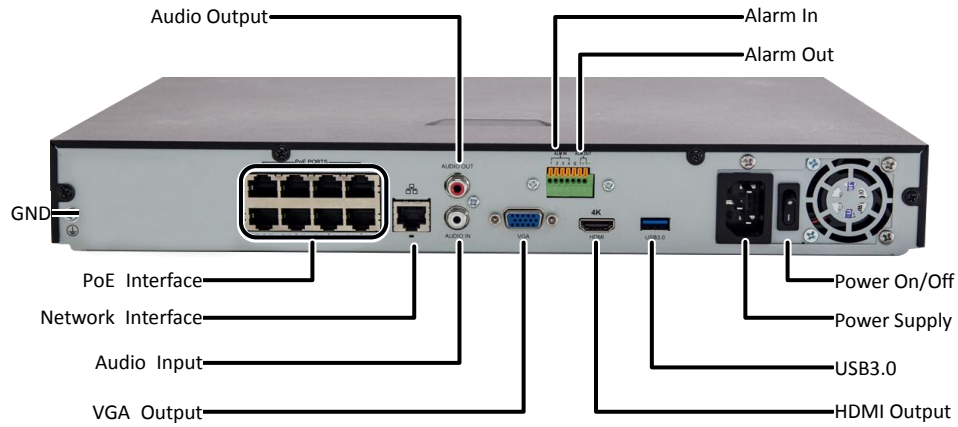
Model	NVR302-08E-P8-B	NVR302-16E-P8-B	NVR302-16E-P16-B
Video/Audio Input			
IP Video Input	8-ch	16-ch	
Two-way Audio Input	1-ch, RCA		
Network			
Incoming Bandwidth	320Mbps		
Outgoing Bandwidth	160Mbps	320Mbps	
Remote Users	128		
Protocols	P2P, UPnP, NTP, DHCP, PPPoE		
Video/Audio Output			
HDMI/VGA Output	VGA: 1920x1080p/60Hz, 1920x1080p/50Hz, 1600x1200/60Hz, 1280x1024/60Hz, 1280x720/60Hz, 1024x768/60Hz HDMI: 4K (3840x2160)/60Hz, 4K (3840x2160)/30Hz, 1920x1080p/60Hz, 1920x1080p/50Hz, 1600x1200/60Hz, 1280x1024/60Hz, 1280x720/60Hz, 1024x768/60Hz		
Recording Resolution	12MP/8MP/6MP/5MP/4MP/3MP/1080p/960p/720p/D1/2CIF/CIF		
Audio Output	1-ch, RCA		
Synchronous Playback	8-ch	16-ch	
Corridor Mode Screen	3/4/5/7/9	3/4/5/7/9/10/12/16	
Decoding			
Decoding format	Ultra 265, H.265, H.264		
Live view/Playback	12MP/8MP/6MP/5MP/4MP/3MP/1080p/960p/720p/D1/2CIF/CIF		
Capability	3 x 12MP@25, 4 x 4K@30, 8 x 4MP@30	3 x 12MP@25, 4 x 4K@30, 8 x 4MP@30, 16 x 1080P@30	
Hard Disk			
SATA	2 SATA interfaces		
Capacity	up to 10TB for each disk		
External Interface			
Network Interface	1 RJ-45 10M/100M/1000M self-adaptive Ethernet Interface		
USB Interface	Front panel: 1 x USB2.0, Rear panel: 1 x USB3.0		
Alarm In	4-ch		
Alarm Out	1-ch		
PoE			
Interface	8 RJ-45 10M/100M self-adaptive Ethernet Interface	16 RJ-45 10M/100M self-adaptive Ethernet Interface	
Max Power	Max 30W for single port Max 130W in total	Max 30W for single port Max 240W in total	
Supported Standard	IEEE 802.3af/at		
General			
Power Supply	100 ~ 240 V AC Power Consumption: ≤ 12 W (without HDD)		
Working Environment	-10°C~+ 55°C (+14°F~+131°F), Humidity ≤ 90% RH (non-condensing)		
Dimensions (W×D×H)	380 mm × 315mm × 53 mm (15" × 12.4"×2.1")		
Weight (without HDD)	≤2.42kg (5.34lb)	≤2.48kg (5.47lb)	

Dimensions



Rear Panel

Take **NVR302-16E-P8-B** for example



Zhejiang Uniview Technologies Co., Ltd.

Building No.10, Wanlun Science Park, Jiangling Road 88, Binjiang District, Hangzhou, Zhejiang, China

Email: overseasbusiness@uniview.com; globalsupport@uniview.com

<http://sgcdn.uniview.com>

©2016-2019 Zhejiang Uniview Technologies Co., Ltd. All rights reserved.

* Product specifications and availability are subject to change without notice.