

# ES10 SERIES

Light Commercial and Residential Electric Strikes - ANSI Footprint

## ES10 DESCRIPTION

The **LOX ES10** Series ANSI Electric Door Strikes is one of the most successful residential & light commercial Electric Strike products in Australia. It is a dual voltage product accepting voltages of either 12 or 24VDC. The LOX ES10 Series Electric Strikes are site interchangeable from Fail-Secure to Fail Safe (Power to Release to Power to Lock) by only using a small screw-driver.

The **ES10** Series Strikes are designed to be morticed into a door frame on a single swing door equipped with either a mortice lock or a cylindrical tongue lock. The LOX ES10 Series Strikes are pre-drilled to accommodate for extension lips, come with a 5-year warranty and have a holding strength of up to **1000kg**.

The monitored **ES10M** version comes with Door Status Sensor (door latch monitoring).

The non-monitored **ES10** version is weather resistant **IP56** rated.




**ES10**  
NON MONITORED ANSI FOOTPRINT STRIKE

**ES10M**  
MONITORED ANSI FOOTPRINT STRIKE

**ES10M MONITORING**

DOOR STATUS / LATCH MONITORING SENSORS = DOOR OPEN/CLOSED

## SPECIFICATIONS

<b>ES10</b>	ANSI PROFILE NON MONITORED DOOR STRIKE. MORTICE MOUNT, POWER TO LOCK/POWER TO OPEN FIELD SELECTABLE & IP RATED
<b>ES10M</b>	MONITORED VERSION OF THE ES10 NON WEATHER RESISTANT
<b>HOLDING STRENGTH</b>	UP TO 1000KG TESTED 1 MILLION CYCLES
<b>VOLTAGE/CURRENT</b>	DUAL VOLTAGE 12/24VDC 12VDC = 200mA 24VDC = 100mA
<b>APPROVALS</b>	UP TO 4 HOUR FIRE RATED TO A.S STANDARD, CE & C-TICK 
<b>DSS MONITORING</b>	DOOR LATCH SENSOR, DOOR LATCH ENGAGED WITHIN STRIKE KEEPER ES10M VERSION
<b>IP RATING</b>	ES10 VERSION IP56 ES10M VERSION NOT WEATHER RESISTANT
<b>ENVIRONMENTAL</b>	OPERATIONAL TEMPERATURE RANGE - 20 DEG. C TO 60 DEG. C.

**LOX**  
LOCKING

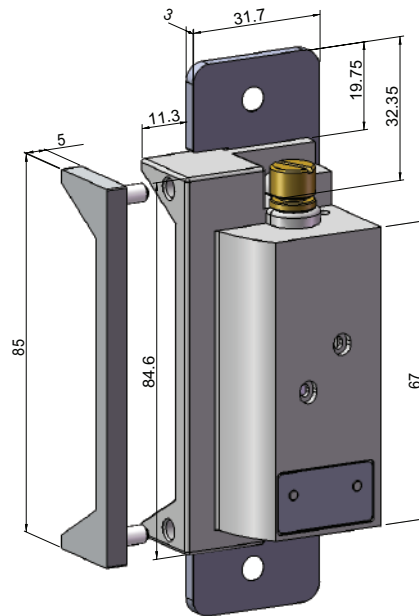
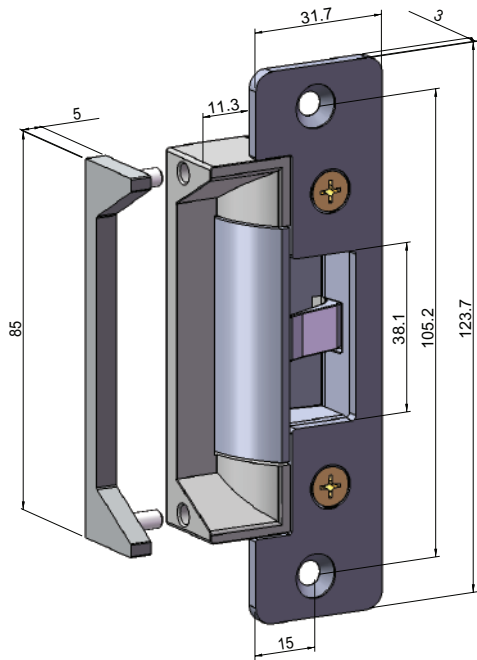
LOX LOCKING PTY LTD | [www.loxlocking.com.au](http://www.loxlocking.com.au)

**LOX**<sup>®</sup>

# ES10 SERIES

Light Commercial and Residential Electric Strikes - ANSI Footprint

## PRODUCT DIMENSIONS



Dimensions (mm)

## ES10 FACTS

- ES10 Weather Resistant (IP56)
- ES10M monitored version available (not weather resistant)
- 5 year warranty
- Simple Power To Lock/Power To Release interchange
- Pre-drilled for extension lips
- Dual-Voltage: 12 or 24VDC
- Fire rated

## ACCESSORIES



### ES10-EL15

LOX ES10 EXTENSION LIP 15MM

### ES10-EL25

LOX ES10 EXTENSION LIP 25MM

### ES10-EL50

LOX ES10 EXTENSION LIP 50MM

### ES10-EL75

LOX ES10 EXTENSION LIP 75MM

**LOX**  
LOCKING

LOX LOCKING PTY LTD | [www.loxlocking.com.au](http://www.loxlocking.com.au)

**LOX**<sup>®</sup>