

MML2400LZ SERIES

Mechanical Magnetic Locking Device - Inward Opening Doors

MML2400LZ DESCRIPTION

The **LOX MML** Series fully monitored locking device is an innovative alternative to traditional Electro Magnetic Locks.

A clever combination of magnetic and mechanical locking components makes the MML a locking device with superior holding force of up to **1000kg**, whilst being 50% smaller than a standard 600kg Electro Magnetic Lock.

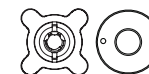
70kg side pressure (pre-load) capability on the door, a smart "Early Warning Alarm" security function and a low current draw rating complete this clever product.

The MML Lock is not recommended to be used on doors above 2400mm height.





MML2400LZ
MONITORED SINGLE DOOR MECHANICAL MAGNETIC LOCK
INWARD OPENING DOORS

1000KG MML PIN LOCK



BEARING LOCK ARMATURE PIN

SPECIFICATIONS

MML2400LZ	SINGLE MECHANICAL MAGNETIC LOCKING DEVICE - INWARD OPENING DOORS
HOLDING STRENGTH	UP TO 1000KG, TESTED TO 750 THOUSAND CYCLES
VOLTAGE/CURRENT	DUAL VOLTAGE 12/24VDC 12VDC = 350mA 24VDC = 175mA
APPROVALS	UP TO 4 HOUR FIRE RATED TO A.S STANDARD, CE & C-TICK  
LSS MONITORING	LSS LOCK STATUS SENSOR (HALL EFFECT)
DSS MONITORING	DOOR STATUS SENSOR (REED SWITCH)
LED LIGHT STATUS	SMALL LED LIGHT INDICATES LOCKED OR UNLOCKED STATUS
ENVIRONMENTAL	OPERATIONAL TEMPERATURE RANGE - 20 DEG. C TO 60 DEG. C.

LOX
LOCKING

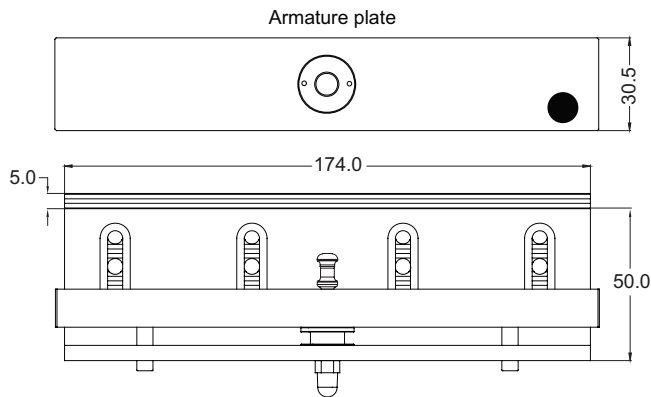
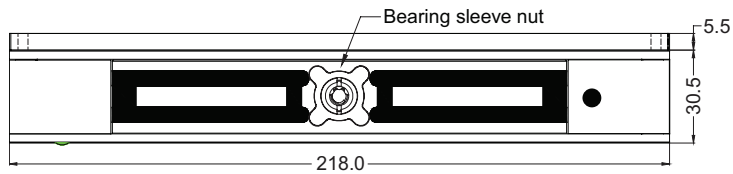
LOX LOCKING PTY LTD | www.loxlocking.com.au

LOX

MML SERIES

Mechanical Magnetic Locking Device - Inward Opening Doors

PRODUCT DIMENSIONS



Dimensions (mm)

MML2400LZ FACTS

- 50% smaller than traditional 600kg holding force magnets
- Holding force of up to 1000kg
- Unlocks under side load of up to 70kg
- Dual-Voltage 12/24VDC reduced power consumption 24VDC/175mA
- 5 year warranty | 1 year warranty for electronic components
- 4 hour fire rated
- Full monitoring Lock Status Sensor (LSS) and Door Status Sensor (DSS)
- Early Warning Security Alarm (EW)

LOX
LOCKING

LOX LOCKING PTY LTD | www.loxlocking.com.au

LOX