

EM5700D SERIES

Double Door Monitored & Non Monitored

EM5700 DESCRIPTION

The **LOX EM5700D** Series product line is a comprehensive Electro Magnetic Lock range with up to **580kg** holding force. It is one of the most reliable and most successful Electro Magnetic Locks in the Australian market in this product category.

THE MONITORED MAGNETIC LOCKS HAVE:

- A built-in Hall Effect Sensor for monitoring the lock/unlock status of the locking device (LSS – Lock Status Sensor)
- A built-in reed switch contact for monitoring the open/closed status of the door (DSS – Door Status Sensor)
- Highly visible red/green LED Status Light
- Anti-Tamper-Fixing-Plate (with monitored version) to avoid hostile attacks targeted on the dome-nut-fixing bolt of the Armature Plate



EM5700D

NON MONITORED DOUBLE ELECTRO MAGNETIC LOCK

EM5700DM

MONITORED DOUBLE ELECTRO MAGNETIC LOCK


DUAL LED STATUS LIGHT



LOCKED

UNLOCKED

SPECIFICATIONS

EM5700D	DOUBLE ELECTRO MAGNETIC LOCK NON MONITORED
EM5700DM	DOUBLE ELECTRO MAGNETIC LOCK MONITORED
HOLDING STRENGTH	UP TO 580KG, TESTED TO 1 MILLION CYCLES
VOLTAGE/CURRENT	DUAL VOLTAGE 12/24VDC 12VDC = 500mA X 2 24VDC = 260mA X 2
APPROVALS	UP TO 4 HOUR FIRE RATED TO A.S STANDARD, CE & C-TICK 
LSS MONITORING	LSS LOCK STATUS SENSOR (HALL EFFECT)
DSS MONITORING	DOOR STATUS SENSOR (REED SWITCH)
LED LIGHT STATUS	LED LIGHT STATUS INDICATES LOCKED OR UNLOCKED STATUS
ENVIRONMENTAL	OPERATIONAL TEMPERATURE RANGE - 20 DEG. C TO 60 DEG. C.

LOX
LOCKING

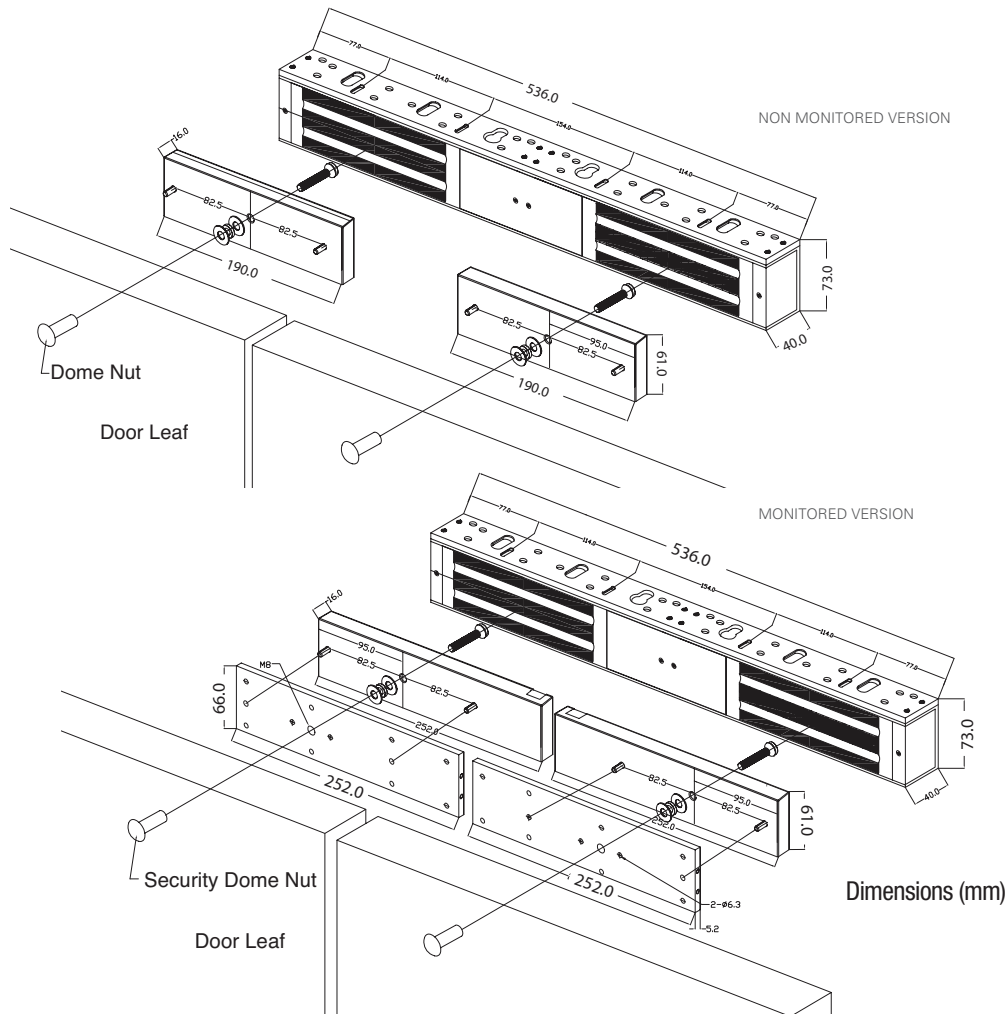
LOX LOCKING PTY LTD | www.loxlocking.com.au

LOX

EM5700D SERIES

Double Door Monitored & Non Monitored

PRODUCT DIMENSIONS



Dimensions (mm)

ACCESSORIES



EM5700DMP

LOX MOUNTING PLATE FOR EM5700D/DM



AMGB1-12

LOX U SHAPE ARMATURE HOLDER FOR GLASS DOORS SUITS EM5700D NON MONITORED

AMGB1-12-DSS

LOX U SHAPE ARMATURE HOLDER FOR GLASS DOORS SUITS EM5700DM MONITORED



AMZB1D-LP

LOX L & Z BRACKET FOR INWARDS OPENING DOORS SUITS EM5700D

AMZB1D-LP-DSS

LOX L & Z BRACKET FOR INWARDS OPENING DOORS SUITS EM5700DM



AMAB1

LOX ARMATURE HOLDER AND DRESS PLATE FOR GLASS DOORS SUITS EM5700D

AMAB1-DSS

LOX ARMATURE HOLDER AND DRESS PLATE FOR GLASS DOORS SUITS EM5700DM



AMFB1

LOX L BRACKET FOR SUITS EM5700 SERIES

AMLB1

LOX ADJUSTABLE L BRACKET SUITS EM5700 SERIES

LOX
LOCKING

LOX LOCKING PTY LTD | www.loxlocking.com.au

LOX