

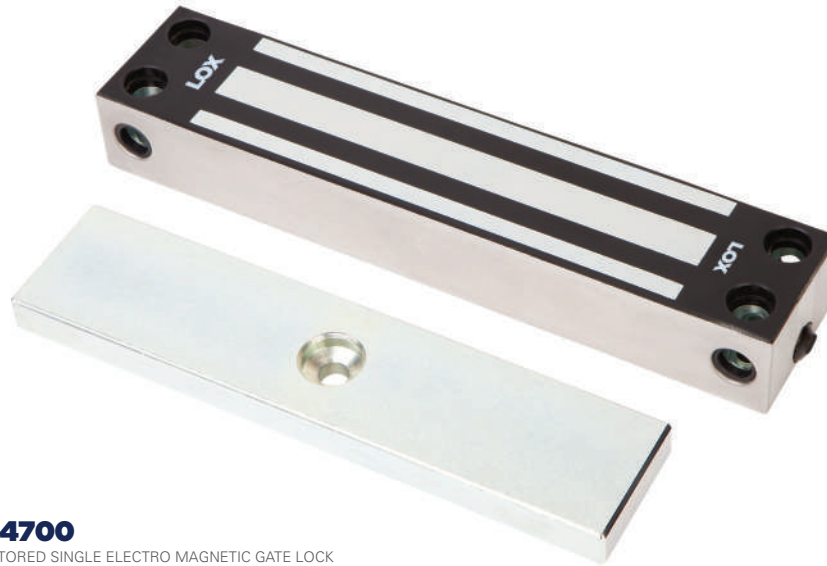
EM4700

Weather Resistant Electro Magnetic Gate Lock

EM4700 DESCRIPTION

The **LOX EM4700** has been designed with a fully enclosed stainless-steel housing. It is one of the most reliable locking devices for true external applications exposed to wind and weather. The **EM4700** lock is **IP67** rated and a proven locking solution in the harshest environments around Australia such as surf-lifesaving clubhouses and the like. It has a holding force of up to **380kg** a dual fixing arrangement (front and header mount), a built-in varistor surge protection and accepts dual voltage of 12VDC and 24VDC.



The **EM4700** Electro Magnetic Gate Lock has a Lock Status (LSS) monitoring feature by Hall-Effect and comes with a Lifetime Warranty.



EM4700

MONITORED SINGLE ELECTRO MAGNETIC GATE LOCK

SPECIFICATIONS

EM4700	WEATHER RESISTANT ELECTRO MAGNETIC GATE LOCK MONITORED
HOLDING STRENGTH	UP TO 380KG
VOLTAGE/CURRENT	DUAL VOLTAGE 12/24VDC 12VDC = 400mA 24VDC = 200mA
APPROVALS	CE & C-TICK  
LSS MONITORING	LSS LOCK STATUS SENSOR (HALL EFFECT)
ENVIRONMENTAL	IP67 RATED, OPERATIONAL TEMPERATURE RANGE - 20 DEG. C TO 60 DEG. C.

LOX
LOCKING

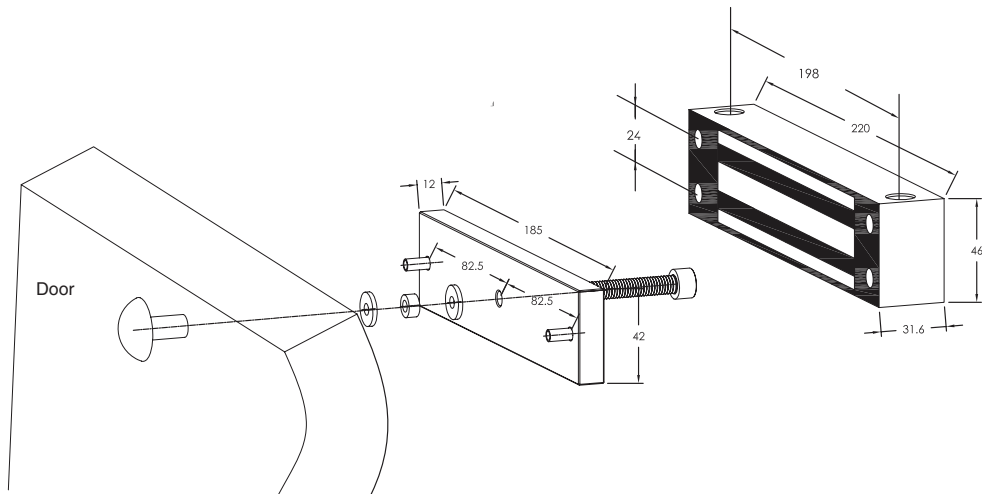
LOX LOCKING PTY LTD | www.loxlocking.com.au

LOX

EM4700

Weather Resistant Electro Magnetic Gate Lock

PRODUCT DIMENSIONS



Dimensions (mm)

EM4700 FACTS

- Up to 380kg holding force
- Lock Status monitoring Sensor (LSS)
- Stainless 304 steel body housing
- Weather resistant IP67
- Lifetime warranty
- CE/RCM
- No residual magnetism

ACCESSORIES



AMGB4-12

LOX U SHAPE ARMATURE HOLDER FOR GLASS DOORS
EM3500/M & EM3500D/DM



AMZB4-LP

LOX L & Z BRACKET FOR INWARDS OPENING DOORS
EM3500/M & EM4700

LOX
LOCKING

LOX LOCKING PTY LTD | www.loxlocking.com.au

LOX