

DB1260 SERIES

Standard Electromechanical Drop Bolt

DB1260 DESCRIPTION

The **LOX DB1260** Electric Drop Bolt has been designed to be used on double action (swing through) doors or as an additional locking device in conjunction with an Electric Strike in single door applications. The **DB1260** has a **25mm** wide face plate and is therefore applicable on narrow style frame installations. It is available in either “Power to Lock” (Fail Safe) or “Power to Open” (Fail Secure). The **DB1260** product range provides several glass-door mounting accessories. We do not recommend using this product on Emergency Egress Door.





Fail Secure version pictured

DB1260

STANDARD ELECTROMECHANICAL DROP BOLT

SPECIFICATIONS

DB1260PTL	MORTISE MOUNT ELECTRIC DROP BOLT, NARROW STYLE POWER TO LOCK (FAIL SAFE)
DB1260PTO	MORTISE MOUNT ELECTRIC DROP BOLT, NARROW STYLE POWER TO OPEN (FAIL SECURE)
HOLDING STRENGTH	UP TO 300KG, TESTED TO 400.000 CYCLES
VOLTAGE/CURRENT	DUAL VOLTAGE 12/24VDC 12VDC = 530mA 24VDC = 260mA
APPROVALS	UP TO 4 HOUR FIRE RATED TO A.S STANDARD, CE & C-TICK  
DSS MONITORING	DOOR STATUS SENSOR (REED SWITCH)
ENVIRONMENTAL	OPERATIONAL TEMPERATURE RANGE - 20 DEG. C TO 60 DEG. C.

LOX
LOCKING

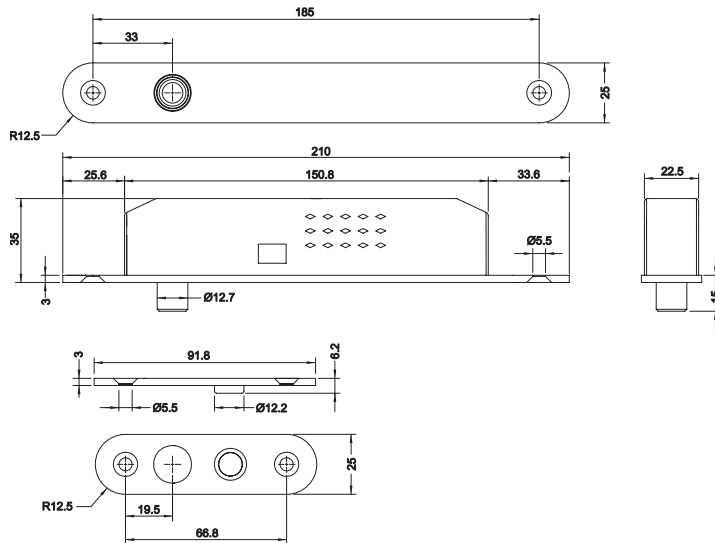
LOX LOCKING PTY LTD | www.loxlocking.com.au

LOX[®]

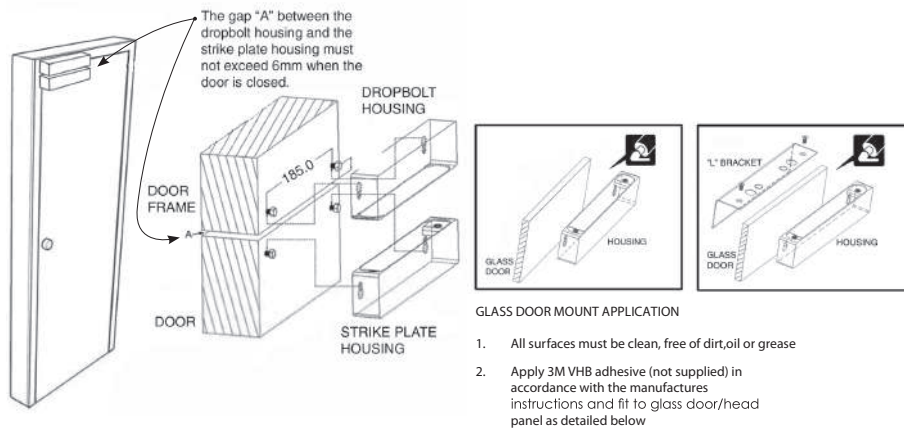
DB1260 SERIES

Standard Electromechanical Drop Bolt

PRODUCT DIMENSIONS



Dimensions (mm)



DB1260 FACTS

- Internal control circuits protect drop bolt pin from damage
- Power to Lock or Power to Open version available (to be specified)
- Auto lock function
- Built-in varistor (MOV) for surge protection
- Time delay setting at 0/3/6/10 secs
- 1 year warranty

ACCESSORIES



DB1260BOX

SURFACE MOUNT BOX FOR DB1260 DROP BOLT



DB1260PLATE

LONG STRIKE PLATE FOR DB1260 DROP BOLT



DB1260MAG

L-GLASS-FIXING-BRACKET FOR DB1260 WITH MAGNETS

LOX
LOCKING

LOX LOCKING PTY LTD | www.loxlocking.com.au

LOX[®]