

35000 SERIES

Wall or Floor Open Magnets

35770 + 35771 DESCRIPTION

The **LOX 35770+35771** Heavy duty door magnetic holder, with **50kg** holding force, titanium alloy surface finished, elegant appearance. When an alarm occurs, power is removed from the devices and the doors are returned to the closed condition. The devices come in **12** or **24VDC**.



35772 FLOOR MOUNT BOX



35770 & 35771
WALL HOLD OPEN MAGNETS

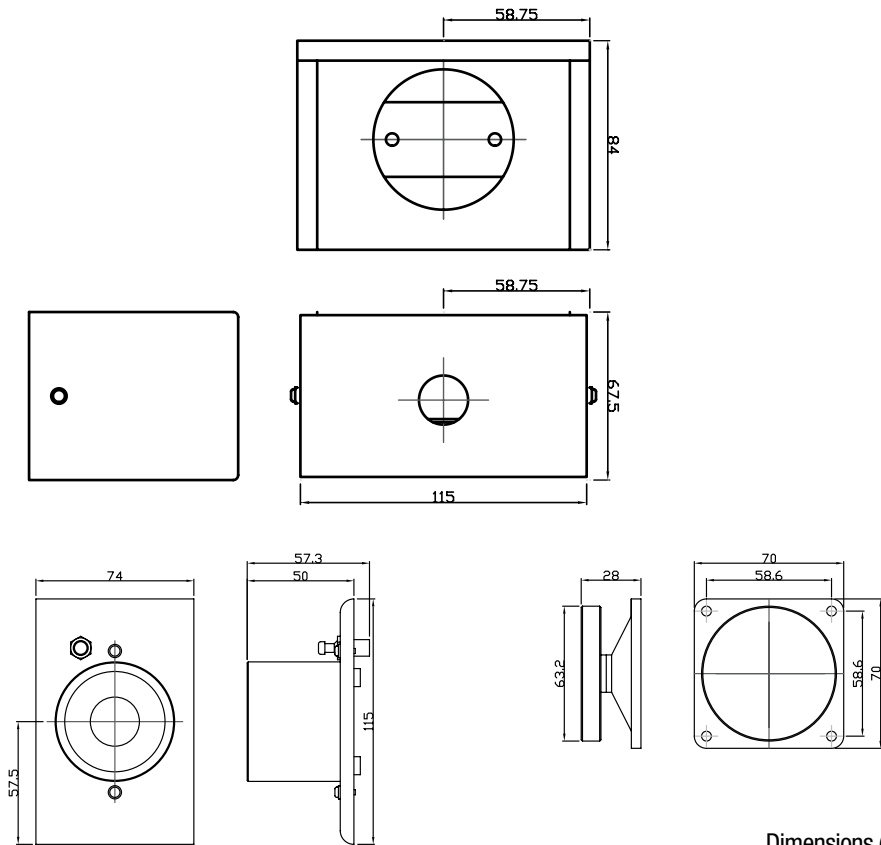
SPECIFICATIONS

35770	12VDC WALL MOUNT MAGNETIC DOOR HOLD OPEN
35771	24VDC WALL MOUNT MAGNETIC DOOR HOLD OPEN
35772	FLOOR MOUNT MAGNETIC DOOR HOLD OPEN BOX
HOLDING STRENGTH	UP TO 50KG
VOLTAGE/CURRENT	12VDC = 100mA 24VDC = 50mA
ENVIRONMENTAL	OPERATIONAL TEMPERATURE RANGE - 20 DEG. C TO 60 DEG. C.

35000 SERIES

Wall or Floor Open Magnets

PRODUCT DIMENSIONS



Dimensions (mm)

35770 + 35771 FACTS

- Up to 50kg holding force
- 12 and 24VDC options
- Floor mount and wall mount options

LOX
LOCKING

LOX LOCKING PTY LTD | www.loxlocking.com.au

LOX