

HS-217SHB-IR Outdoor- housing



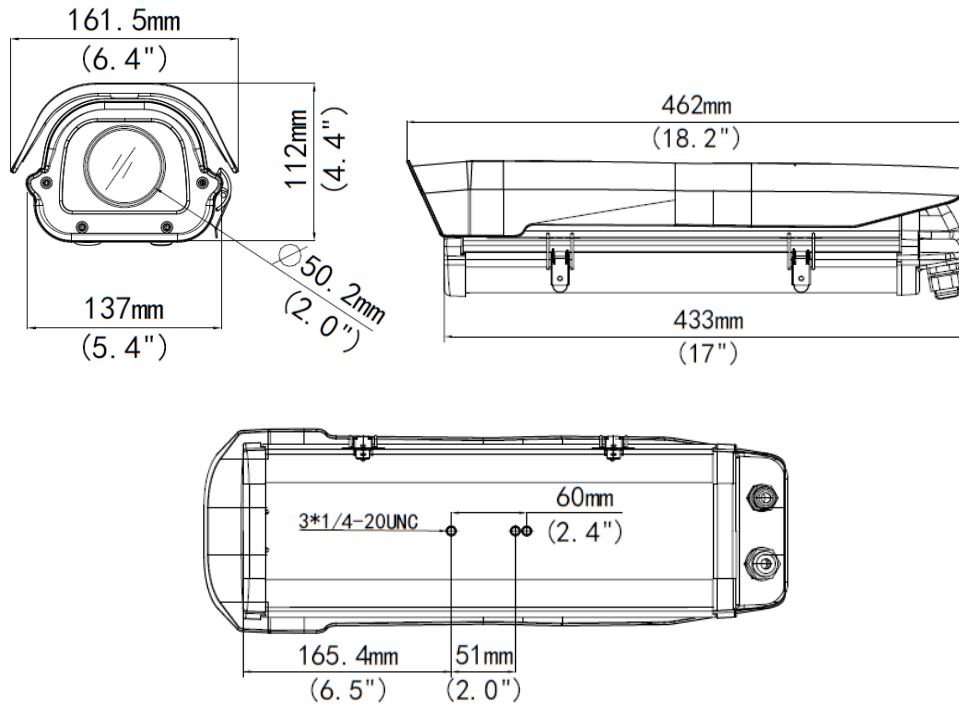
Key Features

- Anti-corrosive and ultraviolet-proof material to enhance outdoor durability
- Combined with adjustable sun shade from direct solar radiation
- Build-in temperature controlling
- Integrated infrared lights and support group controls, cooperate with the gun type network camera to monitor the day and night
- Built-in temperature control module, it can automatically control heater and fan's working condition according to ambient temperature
- Heater on with simultaneous fan against foggy glass cover
- Easy and flexible installation with side open structure
- IP66-rated

Specifications

Housing	HS-217SHB-IR
Application	Outdoor (including sun shade, Heater,Fan)
Ingress Protection	IP66
Power supply	AC24V, DC24V
Power	Heater: 10W, Fan: 1.8W, IR LED: 18W
Operating Condition	-40°C~+60°C(-40°F ~ 140°F) Humidity ≤ 100% RH(non-condensing)
Working conditions of temperature control module	The heating on: ≥5 ± 5°C, The fan opens when the heat is turned on Open the fan: ≤40 ± 5°C
Dimensions (L × W × H)	Outside: 462mm×161mm×112mm(18.2" x 6.3" x 4.4") Inside: 300×105×78.5mm (11.8"×4.1"×3.1")
Weight	1.65KG(3.63lb)
Material	Shell: aluminum alloy Sun shade:plastic Front and rear lids: plastic

Dimensions



Accessories

Housing	Amount	Remarks
Pendant mount	1	17 "outdoor basic protection shield ,Sun shade, Heating,fan

Installation mode	Accessories	Description
Pendant mount	AE-TR-CM06	/
Wall mount	Indoor: AE-TR-WM06-A Outdoor: AE-TR-WM06-B	/
Rail mount	AE-TR-UV06-A + AE-TR-UP06	/
Standing pole mount	AE-TR-WM06-B + AE-TR-UP06	/
Pole mount	AE-TR-UV06-A	/

Zhejiang Uniview Technologies Co.,Ltd.

South Tower, Building 10, Wanlun Science Park, 88 Jiangling Road, Hangzhou, P.R.China 310051

Email: overseasbusiness@uniview.com; globalsupport@uniview.com

<http://www.uniview.com>

©2015-2017Zhejiang Uniview Technologies Co.,Ltd. All rights reserved.

*Product specifications and availability are subject to change without notice.