

PRODUCT FES7

COMPACT ELECTRIC STRIKE



FES7

PRODUCT DESCRIPTION

The Compact Electric Strike FES7 is one of the smallest and most versatile strikes in the world today and is suitable for all types of door frames. Designed to be fitted in place of an entrance set strike plate. Minimal effort is required when installing the unit.

The compact size also assists with maintaining the integrity and strength of the door frame. The versatile strike can be mounted on the right or left hand side of a door and is factory configured to operate in fail secure mode.

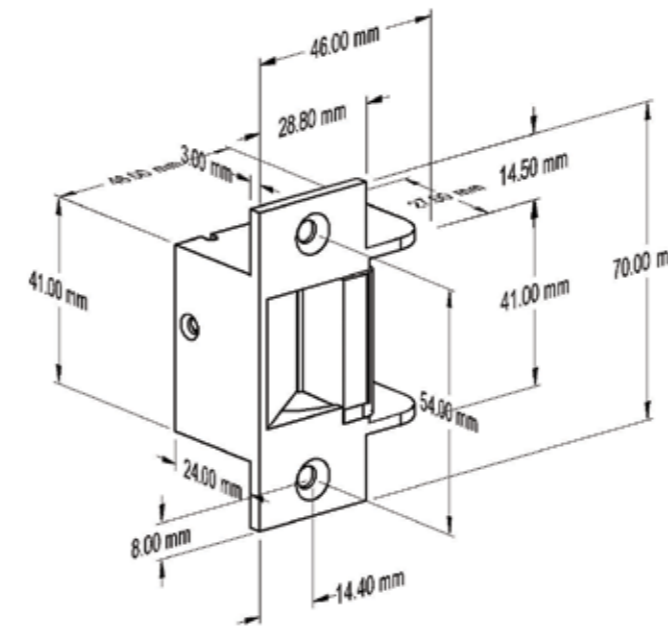
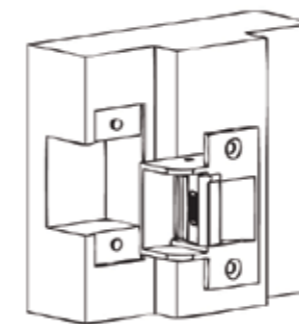
TECHNICAL DETAILS

PART NO.	FES7
FUNCTION	Power To Open (Fail Secure)
HOLDING STRENGTH	Static force: 500kg Dynamic force: 60J (S5 according to AS4745.2)
VOLTAGE/CURRENT	12VDC ~ 90mA
MONITORING	NIL

PRODUCT FEATURES

- One of the world's smallest strikes
- Easy installation
- Ideal for wooden, steel & aluminium frames
- Size to suit standard entrance set strike plates
- 12VDC low current draw
- Continuously rated solenoid

PRODUCT DIMENSIONS AND INSTALLATION

Wooden Jamb Installation
(Flush Mount)Metal Jamb Installation
(Flush Mount)