

PRODUCT FES20 SERIES
HIGH SECURITY ELECTRIC STRIKES –AUSTRALIAN FOOTPRINT



FES20 SERIES

PRODUCT DESCRIPTION

The patented FES20 Series high security electric door strikes are manufactured from stainless steel and have the advantage of accepting D.C Voltages from 12 to 36Volts.

The FES20 Series Strikes are pre-drilled for extension lips and the 20M model is provided with full monitoring including true patented "Anti-Tamper." Independently tested, the FES20 Series electric strikes are the strongest of their category.

FES20 Series Strikes now come with a 10mm strike lip as standard, to prevent possible personal injury and damage to clothing as with 15mm lips. The FES20M Strike is SCEC approved for secure areas.

The FES20M, FES20M-R + FES20M-M+FES20M-L2 are all SCEC approved for secure areas.

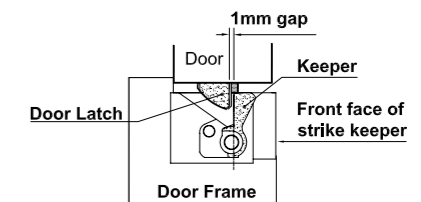
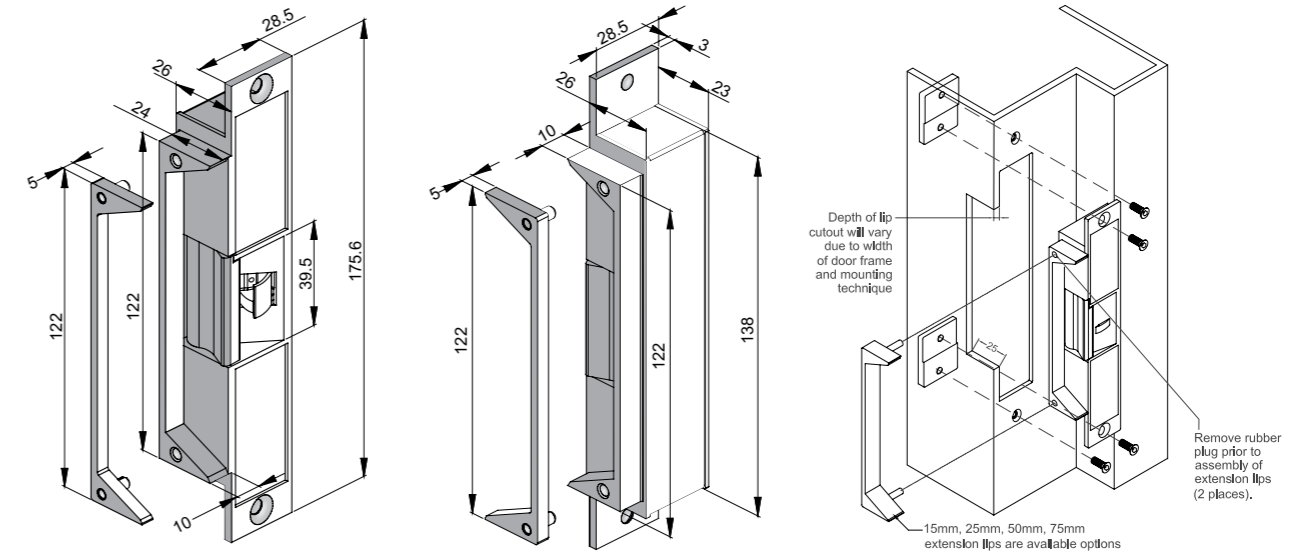
TECHNICAL DETAILS

PART NO.	FES20	FES20M	FES20M-R	FES20M-M
FUNCTION	Mortise mount, Power To Lock/Power To Release site interchangeable. Input Voltage: 12-36VDC			
HOLDING STRENGTH	Up to 1490kg			
VOLTAGE/CURRENT	12VDC= 220mA 24VDC= 120mA 36VDC= 80mA			
APPROVALS	SCEC Approved for secure area FES20 & FES20M-R/M (4 hour fire rated)		4 hour fire rated to A.S. and B.S. standards	
MONITORING	FES20 Non monitored FES20M Fully monitored, door latch monitoring (DSS) Lock Status Monitoring (LSS) Strike installed in frame (ATS) FES20M-R as FES20M plus additional Door Position Reed Switch FES20M-M as FES20M plus additional Reed Magnet		Non monitored	

PRODUCT FEATURES

- 5 year warranty
- Simple Power To Lock/Power To Release interchange
- No loose pins and springs
- Pre-drilled for extension lips
- Mounting kit included
- SCEC Approved for secure areas (FES20M, FES20M-R, FES20M-M, FES20M-L2)
- Fire rated
- CE/C-Tick
- Superior holding strength
- SCEC listing

PRODUCT DIMENSIONS AND INSTALLATION



ORDER DETAILS & ACCESSORIES

PART NO.	PRODUCT DESCRIPTION
FES20	High Security Electric Strike Australian Footprint non-monitored 10mm Lip
FES20M	High Security Electric Strike Australian Footprint monitored 10mm Lip
FES20M-L2	High Security Electric Strike Australian Footprint with no extension lip (Lipless)
FES20M-R	High Security Electric Strike Australian Footprint, 10mm Lip, with additional Door Position Reed Switch (Mortise Lock Face Plate with Magnets required, to be ordered as separate item)
FES20M-M	High Security Electric Strike Australian Footprint, 10mm Lip, additional Door Position Magnet to be used in combination with Electric Mortise Locks
FES20MR-AUS	Mortise Lock Faceplates with monitoring magnets for Aust. Lock Company Mortise Lock
FES20MR-DOR	Mortise Lock Faceplates with monitoring magnets for Dorma Mortise Lock
FES20MR-KAB	Mortise Lock Faceplates with monitoring magnets for KABA Mortise Lock
FES20MR-LEG	Mortise Lock Faceplates with monitoring magnets for LEGGE Mortise Lock
FES20MR-LOC	Mortise Lock Faceplates with monitoring magnets for Lockwood Mortise Lock
FES20MR-LOC-NS	Mortise Lock Faceplates with monitoring magnets for Lockwood Narrow Style Mortise Lock
FES20MR-NOV	Mortise Lock Faceplates with monitoring magnets for Novas Mortise Lock
FES20-Rebate	Rebate Kit for FES20 Series (stainless steel)