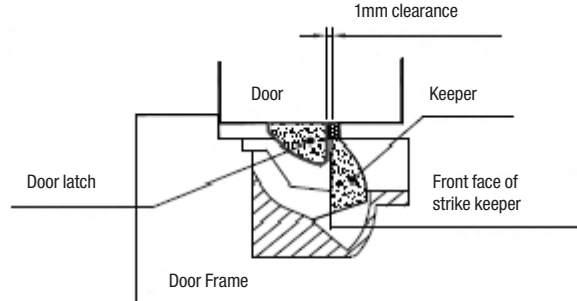
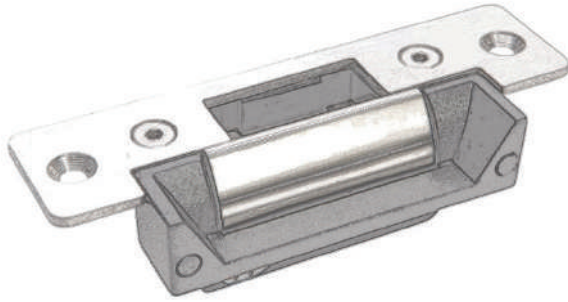


INTRODUCTION:

The **ES10** series strikes are designed to be morticed into a door frame on a single swing door equipped with either a mortice lock or a cylindrical tongue lock. Rated strength 1200 kg

- ES10** - Unmonitored weather resistant (IP56) Electric Door Strike
- ES10M** - Monitored non weather resistant Electric Door Strike



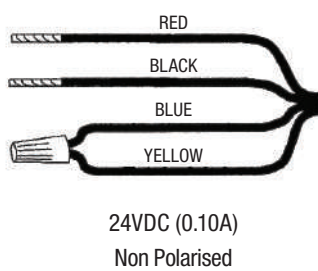
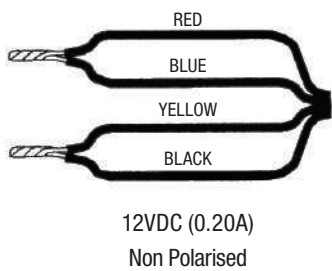
When the door is closed, ensure that there is no back pressure on the front of the strike keeper

WIRING AND POWER INPUT REQUIREMENTS:

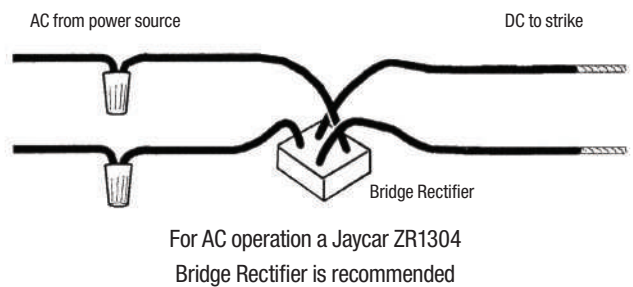
- The **ES10** series are supplied with two voltage selection plugs for operation on either 12VDC or 24VDC.
- If space does not permit the use of the plug/s provided they may be cut off and wired as shown below.
- AC power may also be used by adding a bridge rectifier -- see below.
- Note that direct connection of AC power will damage the strike and is not covered by warranty.
- Power to the **ES10** series is not polarized.

SELECT EITHER THE 12V OR 24V SELECTOR PLUG TO SUIT THE VOLTAGE BEING USED, OR THE PLUGS MAY BE CUT OFF AND WIRED AS BELOW.

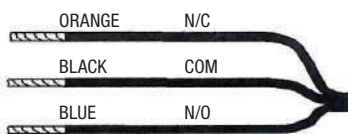
ALTERNATE WIRING WITHOUT VOLTAGE SELECTION PLUGS



ALTERNATE WIRING USING AC 12 - 24 VOLTS WITH A BRIDGE RECTIFIER

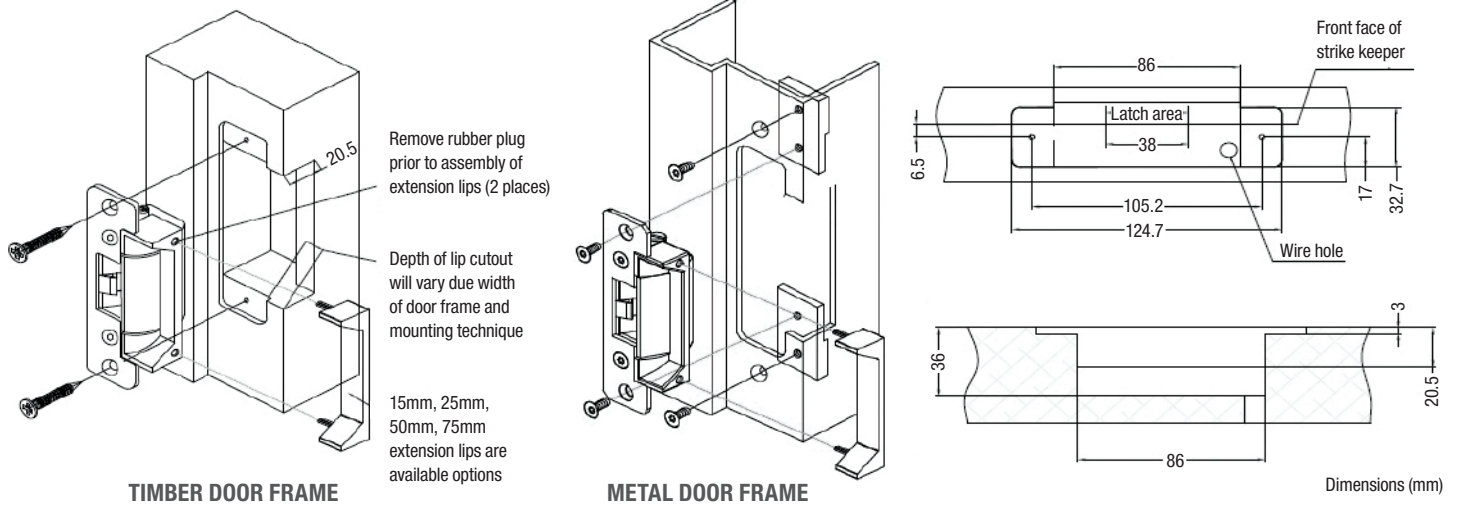


ES10M DSS DOOR STATUS SWITCH WIRING

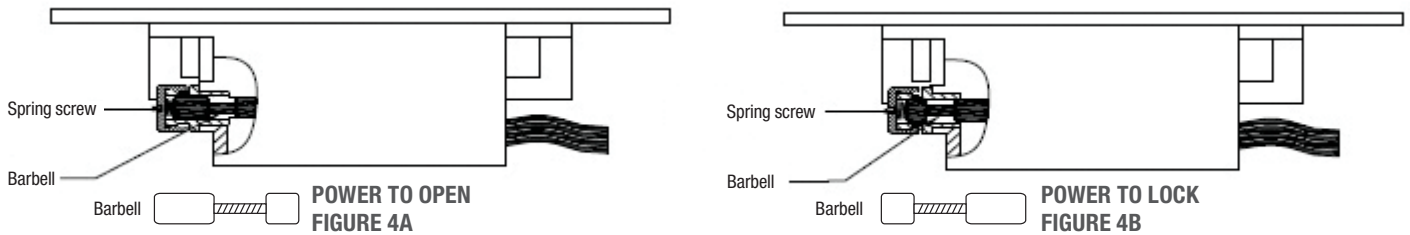


PROBLEM	POSSIBLE CAUSE	SOLUTION
DOOR WILL NOT LOCK	INCORRECT VOLTAGE SELECTION	CHECK VOLTAGE PLUG BEING USED
WILL NOT WORK IN ONE ORIENTATION	24V RATHER THAN 12V SELECTED	CHECK VOLTAGE PLUG OR WIRING

DIMENSIONS AND MOUNTING OPTIONS



CHANGING LOCK FUNCTION FROM FAIL SAFE TO FAIL SECURE



WARNING:

DO NOT ATTEMPT TO SWIVEL THE KEEPER WHILE CHANGING THE FUNCTION, THIS WILL DAMAGE THE BARBELL MECHANISM.

PROCEDURES TO CONVERT FAIL SECURE (FIGURE 4A) TO FAIL SAFE (FIGURE 4B):

- Step 1: Remove the spring screw from the end part of the strike body.
- Step 2: Remove the Barbell to reverse in position with long part inside and short part out.
- Step 3: Replace the spring screw.

PROCEDURES TO CONVERT FAIL SAFE (FIGURE 4B) TO FAIL SECURE (FIGURE 4A):

- Step 1: Remove the spring screw from the end part of the strike body.
- Step 2: Remove the Barbell to reverse in position with short part inside and long part out.
- Step 3: Replace the spring screw.

ORDERING

PART NUMBER	PRODUCT DESCRIPTION
ES10	NON MONITORED HIGH SECURITY ELECTRIC STRIKE
ES10M	MONITORED HIGH SECURITY ELECTRIC STRIKE
ES10-EL15	ES10 EXTENSION LIP 15MM
ES10-EL25	ES10 EXTENSION LIP 25MM
ES10-EL50	ES10 EXTENSION LIP 50MM
ES10-EL75	ES10 EXTENSION LIP 50MM

