

## DS-1280ZJ-DM21

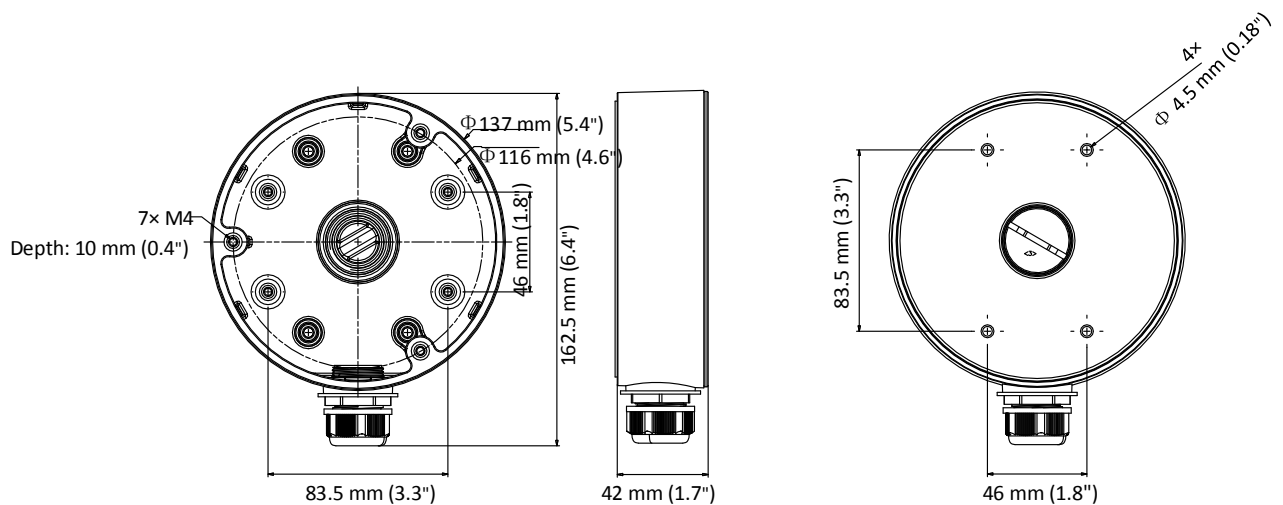
Junction Box for Dome Camera



### Features

- Aluminum alloy material with surface spray treatment
- Side inlet and bottom inlet
- The bottom waterproof cover and the side gland nut are interchangeable
- Waterproof design

### Dimension



### Available Model

DS-1280ZJ-DM21

### Parameter

Model	DS-1280ZJ-DM21
Parameters	Junction Box for Dome Camera
Appearance	Hikvision White
Material	Aluminum Alloy
Dimension	$\Phi 137\text{ mm} \times 42\text{ mm}$ (5.4" $\times$ 1.7")
Weight	280 g (0.62 lb.)

### Notes

- The junction box should be installed on the flat surface.
- Waterproof rubber is necessary for outdoor application.
- The wall must be capable of supporting at least 3 times as much as the total weight of the camera and the mounting bracket.
- The maximum load capacity of the junction box is 4.5 kg (9.9 lb.).