

DS-2CD2H85G1-IZ(S) 8 MP IR Varifocal Turret Network Camera



Key Features

- 1/2.5" Progressive Scan CMOS
- 3840 × 2160@20fps
- 2.8 to 12 mm varifocal lens
- Color: 0.014 Lux @ (F1.4, AGC ON), 0 Lux with IR
- H.265+, H.265, H.264+, H.264
- Three streams
- 4 behavior analyses and face detection
- 120dB WDR
- BLC/3D DNR/ROI/HLC
- IP67, IK10
- Built-in micro SD/SDHC/SDXC card slot, up to 128 GB
- 3-Axis adjustment
- IR range: Up to 30 m
- Anti-IR reflection



Specifications

| Camera | |
|--|--|
| Image Sensor | 1/2.5" Progressive Scan CMOS |
| Min. Illumination | Color: 0.014 Lux @ (F1.4, AGC ON), 0 Lux with IR |
| Shutter Speed | 1/3 s to 1/100,000 s |
| Slow Shutter | Yes |
| Day & Night | IR Cut Filter |
| WDR | 120dB |
| Angle Adjustment | Pan: 0° to 355°, tilt: 0° to 75°, rotate: 0° to 355° |
| Lens | |
| Lens Type | Varifocal lens, motorized lens , 2.8 to 12 mm |
| Aperture | F1.4 |
| FOV | Horizontal FOV: 115° to 35°, vertical FOV: 60° to 19°, diagonal FOV: 146° to 38.5° |
| Lens Mount | Φ14 |
| Illuminator | |
| IR Range | Up to 30 m |
| Wavelength | 850nm |
| Video | |
| Max. Resolution | 3840 × 2160 |
| Main Stream | 50Hz: 20 fps (3840 × 2160), 25 fps (3072 × 1728, 2560 × 1440, 1920 × 1080, 1280 × 720) 60Hz: 20 fps (3840 × 2160), 30 fps (3072 × 1728, 2560 × 1440, 1920 × 1080, 1280 × 720) |
| Sub-Stream | 50Hz: 25fps (640 × 480, 640 × 360, 320 × 240) 60Hz: 30fps (640 × 480, 640 × 360, 320 × 240) |
| Third Stream | 50Hz: 25fps (1280 × 720, 640 × 360, 352 × 288) 60Hz: 30fps (1280 × 720, 640 × 360, 352 × 240) |
| Video Compression | Main stream/third stream: H.265/H.264 Sub-stream: H.265/H.264/MJPEG |
| H.264 Type | Main Profile/High Profile |
| H.264+ | Main stream supports |
| H.265 Type | Main Profile |
| H.265+ | Main stream supports |
| Video Bit Rate | 32 Kbps to 16 Mbps |
| Scalable Video Coding (SVC) | H.264 and H.265 encoding |
| *Note: When the main stream resolution is 3840 × 2160, max frame rate is 20 fps for all streams. | |
| Audio(-S) | |
| Audio Compression | G.711/G.722.1/G.726/MP2L2/PCM/MP3 |
| Audio Bit Rate | 64Kbps(G.711)/16Kbps(G.722.1)/16Kbps(G.726)/32-192Kbps(MP2L2)/8Kbps-320Kbps(MP3) |
| Environment Noise Filtering | Yes |
| Audio Sampling Rate | 8 kHz/16 kHz/32 kHz/44.1 kHz/48 kHz |
| Smart Feature-set | |
| Smart Event | Line crossing detection, intrusion detection, unattended baggage detection, object removal detection, face detection, scene change detection |
| Basic Event | Motion detection, video tampering alarm, exception (network disconnected, IP address conflict, illegal login, HDD full, HDD error) |
| Linkage Method | Trigger recording: memory card, network storage, pre-record and post-record |

| | |
|----------------------------------|--|
| | Trigger captured pictures uploading: FTP, HTTP, NAS, Email Trigger notification: HTTP, ISAPI, alarm output (-S), Email |
| Region of Interest | 1 fixed region for main stream and sub-stream |
| Image | |
| Image Enhancement | BLC/3D DNR/HLC |
| Image Setting | Rotate mode, saturation, brightness, contrast, sharpness, AGC, and white balance adjustable by client software or web browser |
| Day/Night Switch | Day/Night/Auto/Schedule/Triggered by Alarm In (-S) |
| Network | |
| Network Storage | microSD/SDHC/SDXC card (128 G), local storage and NAS (NFS, SMB/CIFS), ANR Together with high-end Hikvision memory card, memory card encryption and health detection are supported. |
| Protocols | TCP/IP, UDP, ICMP, HTTP, HTTPS, FTP, DHCP, DNS, DDNS, RTP, RTSP, RTCP, PPPoE, NTP, UPnP, SMTP, SNMP, IGMP, 802.1X, QoS, IPv6, UDP, Bonjour, SSL/TLS |
| API | ONVIF (PROFILE S, PROFILE G, PROFILE T), ISAPI, SDK |
| Security | Password protection, complicated password, HTTPS encryption, 802.1X authentication (EAP-TLS 1.2, EAP-LEAP, EAP-MD5), watermark, IP address filter, basic and digest authentication for HTTP/HTTPS, WSSE and digest authentication for ONVIF, TLS1.2 |
| Simultaneous Live View | Up to 6 channels |
| User/Host | Up to 32 users, 3 levels: Administrator, Operator and User |
| Client | iVMS-4200, Hik-Connect, Hik-Central |
| Web Browser | Plug-in required live view: IE8+ Plug-in free live view: Chrome 57.0+, Firefox 52.0+, Safari 11+ Local Service: Chrome 41.0+, Firefox 30.0+ |
| Interface | |
| Communication Interface | 1 RJ45 10M/100M self-adaptive Ethernet port |
| Audio (-S) | 1 input (line in), 1 output (line out), four-core terminal block, mono sound |
| Alarm (-S) | 1 input, 1 output |
| Video Output | No |
| On-board storage | Built-in Micro SD/SDHC/SDXC slot, up to 128 GB |
| General | |
| Web Client Language | 32 languages English, Russian, Estonian, Bulgarian, Hungarian, Greek, German, Italian, Czech, Slovak, French, Polish, Dutch, Portuguese, Spanish, Romanian, Danish, Swedish, Norwegian, Finnish, Croatian, Slovenian, Serbian, Turkish, Korean, Traditional Chinese, Thai, Vietnamese, Japanese, Latvian, Lithuanian, Portuguese (Brazil) |
| General Function | Anti-flicker, three streams, heartbeat, mirror, privacy masks, password reset via e-mail, pixel counter, HTTP listening |
| Reset | Reset via reset button on camera body, web browser and client software |
| Startup and Operating Conditions | -30 °C to +60 °C (-22 °F to +140 °F), Humidity 95% or less (non-condensing) |
| Storage Conditions | -30 °C to +60 °C (-22 °F to +140 °F), Humidity 95% or less (non-condensing) |
| Power Supply | 12 VDC ± 25%, Φ 5.5 mm coaxial power plug PoE (802.3af, class 3) |
| Power Consumption and Current | 12 VDC, 0.92 A, max. 11 W PoE (802.3af, 36 V to 57 V), 0.35 A to 0.22 A, max. 12.5 W |
| Material | Metal |
| Dimensions | Camera: Φ 138.3 × 126 mm (Φ 5.4" × 5.0") With Package: 170 × 170 × 150 mm (6.7" × 6.7" × 5.9") |
| Weight | Camera: Approx. 1.20 kg (2.65 lb.) |

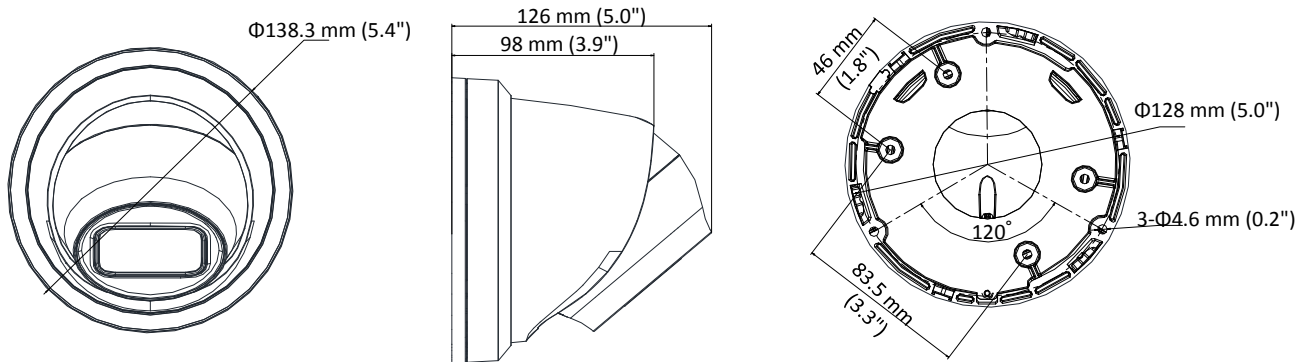
| | |
|-----------------|---|
| | With Package: Approx. 1.42 kg (3.13 lb.) |
| Approval | |
| EMC | 47 CFR Part 15, Subpart B; EN 55032: 2015, EN 61000-3-2: 2014, EN 61000-3-3: 2013, EN 50130-4: 2011 +A1: 2014; AS/NZS CISPR 32: 2015; ICES-003: Issue 6, 2016; KN 32: 2015, KN 35: 2015 |
| Safety | UL 60950-1, IEC 60950-1:2005 + Am 1:2009 + Am 2:2013, EN 60950-1:2005 + Am 1:2009 + Am 2:2013, IS 13252(Part 1):2010+A1:2013+A2:2015 |
| Chemistry | 2011/65/EU, 2012/19/EU, Regulation (EC) No 1907/2006 |
| Protection | Ingress protection: IK10 (IEC 62262:2002), IP67 (IEC 60529-2013) |

Note: Listed resolutions are only selectable options. It does not mean that all streams can work at their maximum resolution at the same time.

Available Model:

DS-2CD2H85G1-IZ (2.8 to 12 mm), DS-2CD2H85G1-IZS (2.8 to 12 mm)

Dimension



Accessory



DS-1273ZJ-140
Wall Mount



DS-1271ZJ-140
Pendant Mount



DS-1280ZJ-DM21
Junction Box

Distributed by



HIKVISION

Headquarters

No.555 Qianmo Road, Binjiang District,
Hangzhou 310051, China
T +86-571-8807-5998
overseasbusiness@hikvision.com

Hikvision USA
T +1-909-895-0400
sales.usa@hikvision.com

Hikvision Italy
T +39-0438-6902
info.it@hikvision.com

Hikvision Singapore
T +65-6884-4718
sg@hikvision.com

Hikvision Africa
T +27 (10) 0351172
sale.africa@hikvision.com

Hikvision Europe
T +31-23-55-42-770
info.eu@hikvision.com

Hikvision France
T +33(0)1-85-330-450
info.fr@hikvision.com

Hikvision Oceania
T +61-2-8599-4233
salesau@hikvision.com

Hikvision Hong Kong
T +852-2151-1761

Hikvision Middle East
T +971-4-8816086
salesme@hikvision.com

Hikvision Spain
T +34-91-737-16-55
info.es@hikvision.com

Hikvision Canada
T +1-909-895-0400
sales.usa@hikvision.com

Hikvision Russia
T +7-495-669-67-99
saleru@hikvision.com

Hikvision Poland
T +48-22-460-01-50
poland@hikvision.com

Hikvision Korea
T +82-31-731-8841
sales.korea@hikvision.com

Hikvision India
T +91-22-28469900
sales@pramahikvision.com

Hikvision UK
T +01628-902140
support.uk@hikvision.com

Hikvision Brazil
T +55 11 3318-0050
Latam.support@hikvision.com