



Selector[®] 3700 Series MkII Mortice Locks Service Manual



ASSA ABLOY

ASSA ABLOY, the global leader
in door opening solutions

Introduction

The Selector® Series MkII Commercial Mortice Lock represents a new benchmark in security, durability and ease of use for commercial locking applications. Designed and manufactured in Australia to suit the specific requirements of the Australian and New Zealand markets, the Selector® Series is suitable for heavy duty use in industrial and commercial buildings, institutions, clubs, schools, hospitals, hotels and similar buildings.

Key Features

- Easy red/green function setting
- All lock settings are made from under the faceplate allowing for simple in-door configuration
- Standard primary locks include anti-lockout and holdback capabilities
- Improved cylinder functions including lock/unlock and retract latch as standard
- Through-fixing of rose furniture turnknobs and escutcheons
- Reduced range of cylinder cams and turn adaptors relative to other commonly available commercial cylinder mortice locks

Service Manual:

This manual contains a complete listing of parts and assemblies for the Selector® Series MkII Mortice Locks manufactured by ASSA ABLOY Australia. Exploded views are included along with parts list for ordering of replacement components.

ASSA ABLOY Australia reserves the right to make changes in design or specifications, or to make additions or improvements to their product without incurring any obligation to incorporate these amendments in product previously manufactured.

ASSA ABLOY Australia are not responsible for additions or alterations made to their product by others.

Maintenance:

Cleaning: Care should be taken during construction/refurbishment to ensure that paint, thinners, mortar or cement splashes are carefully removed from locks, furniture and hardware. Removal of these splashes with strong cleaning agents or scourers should be avoided.

Dirt and grime should be regularly removed with a soft damp cloth. A solution of mild soap and water may be required. During cleaning, care should be taken to prevent cleaning solution from entering the cylinder keyway. Surfaces should be dried and possibly lubricated.

Lubrication: During assembly of the lock, the areas of contact of the internal mechanism which require lubrication are given an application of high quality grease. As such, further lubrication should not be necessary.

However, where locks are subjected to heavy traffic, the external contact areas of the bolt and strike may require an occasional smear of light machine oil.

NOTE: All dimensions depicted in this brochure are in mm.



Contents

Selector® 3770 Series MkII

Function Matrix	6
Setting the Lock	8
3770 Series Mortice Nightlatch	10
3772/3774 Series Multi-Function Lock	11
3774 Series Passage Latch	14
3777 Series Dual Entry Lock	15
3772 Series DX Digital Lock	16
3772 Series DX Digital Lock with Key Override	17
4770 Series 89mm Extended Backset Mortice Lock	18
5770 Series 127m Extended Backset Mortice Lock	19
Fixing, Finish and Function Conversion Kits	20
Synergy® / Selector® Conversion Chart	22
Selector® Series Accessories	24
Installation Instructions	30



ASSA ABLOY



Selector® 3770 Series MkII Mortice Locks

Selector® 3770 Series MkII Function Matrix

3770 Nightlatches

Selector 3770 Series	Function Description	Primary Lock	Outside Cylinder Cam/Adaptor	Inside Cylinder Cam/Adaptor	Kit
3770SS	Nightlatch Primary Lock	3770SS	-	-	-
3770-TSS	Nightlatch with Turn	3770TSS	-	3770M2-ADAPTOR	-
3770X-SS	Nightlatch with Cylinder	3770SS	X7	-	-
3770XTSS	Nightlatch with Cylinder and Turn	3770TSS	X7	3770M2-ADAPTOR	-
3770XXSS	Nightlatch with Double Cylinder	3770SS	X7	X7	-

3772 Escape Locks

Selector 3770 Series	Function Description	Primary Lock	Outside Cylinder Cam/Adaptor	Inside Cylinder Cam/Adaptor	Kit
3772SS	Escape Primary Lock	3772SS	-	-	-
3772-SS	Escape Lock	3772SS	-	-	-
3772V-SS	Anti-vandal Escape Lock	3772SS	V	-	-
3772VTSS	Anti-vandal Escape Lock with Turn	3772TSS	V	3772-ADAPTOR	-
3772X-SS	Key Entry Escape Lock	3772SS	X7	-	-
3772XTSS	Key Entry Escape Lock with Turn	3772TSS	X7	3772-ADAPTOR	-
3772-VSS	Escape Lock with Internal Cylinder	3772SS	-	V	-
3772-TSS	Escape Lock with Turn	3772TSS	-	3772-ADAPTOR	-
3772VVSS	Anti-vandal Escape Lock with Internal Cylinder	3772SS	V	V	-
3772XVSS	Key Entry Escape Lock with Internal Cylinder	3772SS	X7	V	-
3772-TASS	Anti-lockout Escape Lock with Turn	3772TSS	-	3772-ADAPTOR	-
3772VTASS	Anti-lockout Anti-vandal Escape Lock with Turn	3772TSS	V	3772-ADAPTOR	-
3772V-HSS	Holdback Anti-vandal Escape Lock	3772SS	V	-	-
3772VTHSS	Holdback Anti-vandal Escape Lock with Turn	3772TSS	V	3772-ADAPTOR	-
3772XVHSS	Holdback Key Entry Escape Lock with Internal Cylinder	3772SS	X7	V	-

3774 Passage Latch

Selector 3770 Series	Function Description	Primary Lock	Outside Cylinder Cam/Adaptor	Inside Cylinder Cam/Adaptor	Kit
3774SS	Passage Latch	3774SS	-	-	-

Selector® 3770 Series MkII Function Matrix

3774 Combination Locks

Selector 3770 Series	Function Description	Primary Lock	Outside Cylinder Cam/Adaptor	Inside Cylinder Cam/Adaptor	Kit
3774VTSS	Anti-vandal Lock with Turn	3772TSS	V	3772-ADAPTOR	-
3774VVSS	Anti-vandal Lock with Internal Cylinder	3772SS	V	V	-
3774XVSS	Key Entry Lock with Internal Cylinder	3772SS	X7	V	-
3774XXSS	Key Entry Double Cylinder Lock	3772SS	X7	X7	-
3774-TSS	Combination Lock with Turn	3772TSS	-	3772-ADAPTOR	-
3774-TASS	Anti-lockout Combination Lock with Turn	3772TSS	-	3772-ADAPTOR	-
3774VTASS	Anti-lockout Anti-vandal Lock with Turn	3772TSS	V	3772-ADAPTOR	-
3774VVASS	Anti-lockout Anti-vandal Lock with Internal Cylinder	3772SS	V	V	-
3774VTHSS	Holdback Anti-vandal Lock with Turn	3772TSS	V	3772-ADAPTOR	-
3774VVHSS	Holdback Anti-vandal Lock with Internal Cylinder	3772SS	V	V	-
3774XVHSS	Holdback Key Entry Lock with Internal Cylinder	3772SS	X7	V	-

3777 Dual Entry Locks

Selector 3770 Series	Function Description	Primary Lock	Outside Cylinder Cam/Adaptor	Inside Cylinder Cam/Adaptor	Kit
3777X-SS	Dual Entry Lock	3772SS	X7, 3777 SPINDLE CAM	-	3777-KIT
3777V-SS	Dual Entry Lock with Lower Cylinder Lockout	3772SS	V, 3777 SPINDLE CAM	-	3777-KIT

Privacy Locks

Selector 3770 Series	Function Description	Primary Lock	Outside Cylinder Cam/Adaptor	Inside Cylinder Cam/Adaptor	Kit
3772-TSS	Escape Privacy Lock	3772TSS	-	3772-ADAPTOR	-
3772-TASS	Anti-lockout Escape Privacy Lock	3772TSS	-	3772-ADAPTOR	-
3774-TSS	Privacy Lock	3772TSS	-	3772-ADAPTOR	-
3774-TASS	Anti-lockout Privacy Lock	3772TSS	-	3772-ADAPTOR	-
3777-TSS	Key Entry Privacy Lock	3772TSS	3777 SPINDLE CAM	3772-ADAPTOR	3777-KIT
3777-TASS	Key Entry Anti-lockout Privacy Lock	3772TSS	3777 SPINDLE CAM	3772-ADAPTOR	3777-KIT

3772 DX Digital Locks

Selector 3770 Series	Function Description	Primary Lock	Outside Cylinder Cam/Adaptor	Inside Cylinder Cam/Adaptor	Kit
3772DX-SS	DX Digital Mortice Lock	3772SS	3770M2-ADAPTOR	-	3772-DXKITSC
3772DXVHSS	DX Digital Mortice Lock with Holdback by Cylinder	3772SS	3770M2-ADAPTOR	V	3772-DXKITSC
3772DXKO-SS	Key Override DX Digital Mortice Lock	3772SS	3770M2-ADAPTOR, 3777 SPINDLE CAM	-	3772-DXKOKITSC
3772DXKOVHSS	Key Override DX Digital Mortice Lock with Holdback by Cylinder	3772SS	3770M2-ADAPTOR, 3777 SPINDLE CAM	V	3772-DXKOKITSC

Notes

Items in *italics* are Primary locks and can be purchased from ASSA ABLOY.
Purchased configurations include adaptors as required.
Cylinders must be ordered separately.

Setting the Lock

Step 1. Hub setting

A

HUB SETTING

PASSAGE MODE
Factory default

Escape

COMBINATION MODE

Lockable

ESCAPE MODE RIGHT HAND DOOR

Lockable

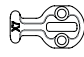

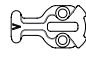

ESCAPE MODE LEFT HAND DOOR

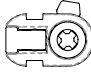

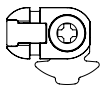

Escape

- Ensure locking bar is in the unlocked (up) position. Hubs cannot be set while lock is locked.
- Using a 4mm flat blade screwdriver, rotate the dial until the required configuration is achieved. Dial can be rotated in either direction.
- **RED** - handle is lockable. Only opened by handle when locking bar is unlocked (up).
- **GREEN** - opened by handle at all times.

Setting the Lock

Step 2. Cam and Adaptor selections

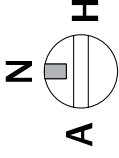
B		CYLINDER CAM SELECTION
		X7 cam Retracts the latch bolt. Locks the locking bar.
		V cam Locks and unlocks the locking bar. Retracts the latch bolt after unlocking lock.
<ul style="list-style-type: none"> Fit the required cam to the cylinder and install into lock according to the MOUNTING INSTRUCTIONS. 		

C		ADAPTOR SELECTION
		Locking adaptor Locks and unlocks the locking bar. Does not retract the latch bolt.
		Latching adaptor Retracts the latch bolt. Does not operate the locking bar.
<ul style="list-style-type: none"> Select adaptor required and install into lock according to the MOUNTING INSTRUCTIONS. 		

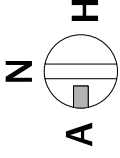
Step 3. Anti-lockout or Holdback selection

D

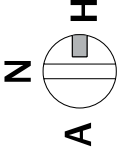
ANTI-LOCKOUT OR HOLDBACK SELECTION



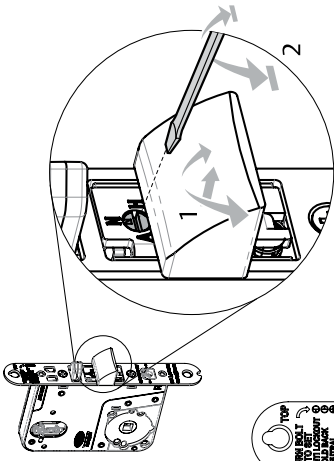
NEUTRAL LOCK
Factory default.
Lock operates as a standard lock.

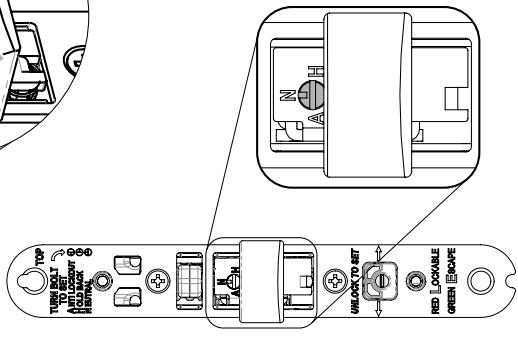


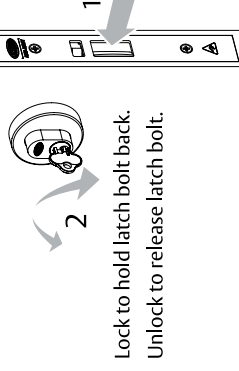
ANTI-LOCKOUT LOCK
Closing the door or retracting the latch bolt unlocks the lock preventing lock out situations.



HOLD BACK LOCK
Hold back must not be activated on fire doors.
Latch bolt can be held within the lock.







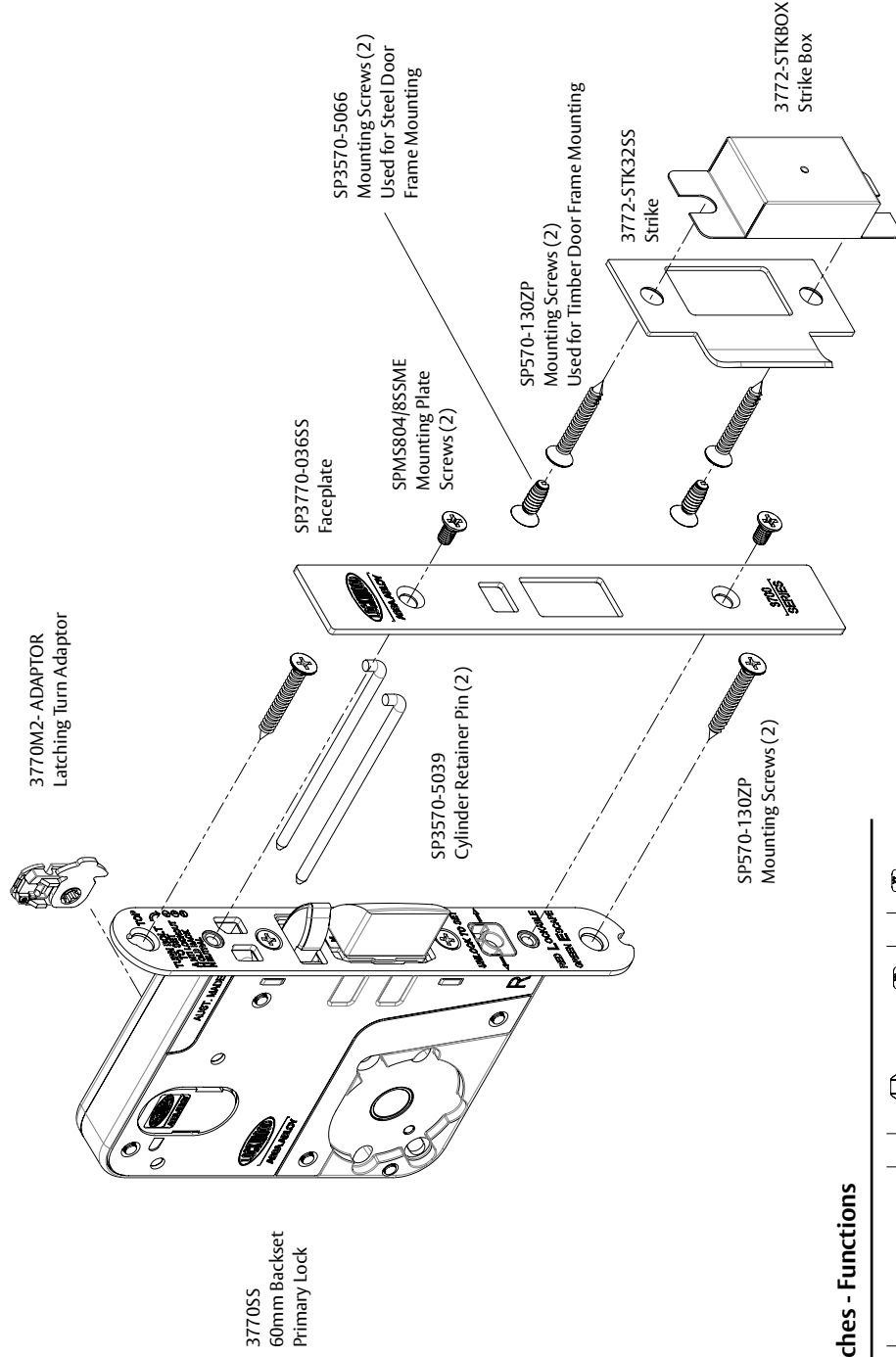
Lock to hold latch bolt back.
Unlock to release latch bolt.

- The anti-lockout and hold back selection is located under the latch bolt.
- Pull latch bolt forward and rotate 90°.
- Using a 4mm flat blade screwdriver, rotate to the required function.
- **NOTE** : Selector can only be rotated 90° in either direction from the (N) neutral position.
- Rotate the latch bolt back to vertical ensuring the correct latch bolt handling.

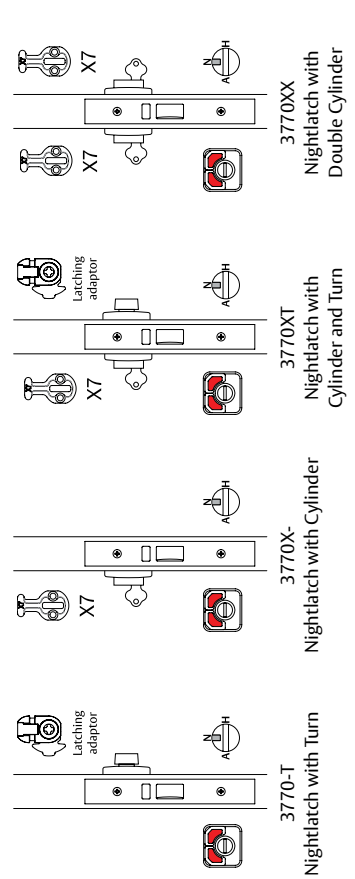
3770 Series MkII Mortise Nightlatch

Various latching functions operated by a key outside and by a turn knob or key inside. The Mortise Nightlatch locks automatically when the door is closed.

Legend	
Hub Setting	
Lock Function Setting	
Cam or Adaptor	X7



3770 Series Mortise Nightlatches - Functions



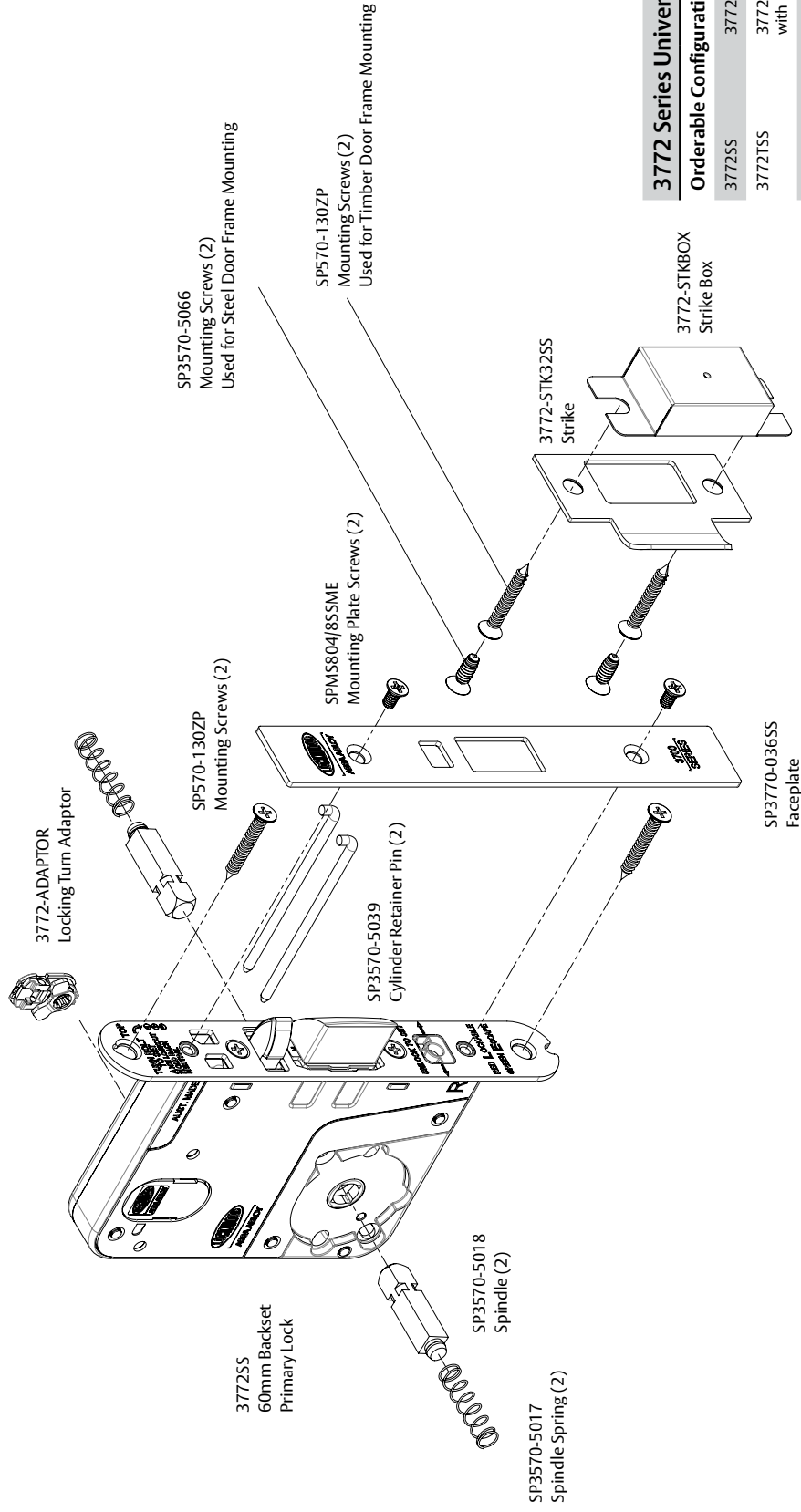
3770 Series Mortise Nightlatch

Orderable Configurations

3770SS	3770 Nightlatch Primary Lock 60mm Backset
3770TSS	3770 Nightlatch Primary Lock Rad Faceplate 60mm Backset with Latching Adaptor
3770RSS	3770 Nightlatch Primary Lock Rad Faceplate 60mm Backset
3770RTSS	3770 Nightlatch Primary Lock Rad Faceplate 60mm Backset with Latching Adaptor

3772/3774 Series MkII Multi-Function Lock

These locks have various latching functions which can be operated by key or handle outside and by turn knob, key or handle inside.

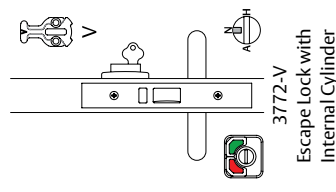
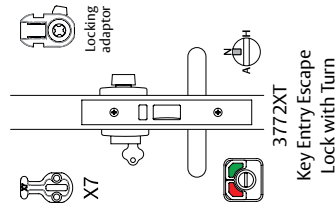
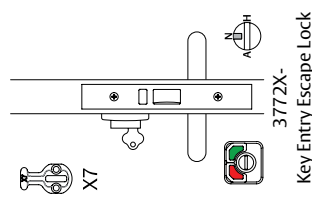
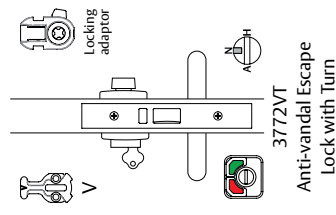
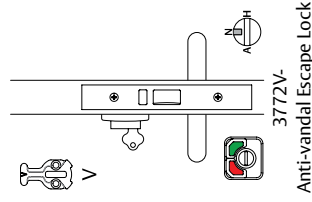
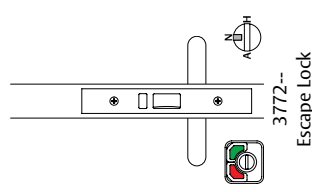


3772 Series Universal Primary Lock

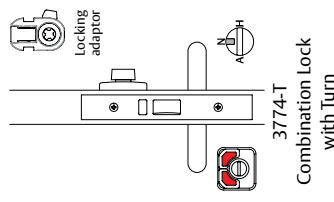
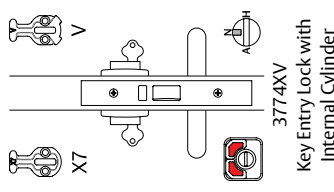
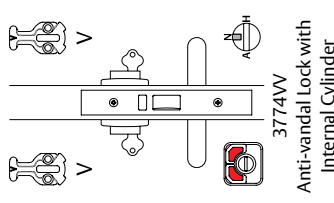
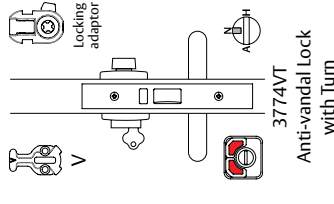
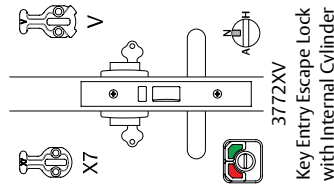
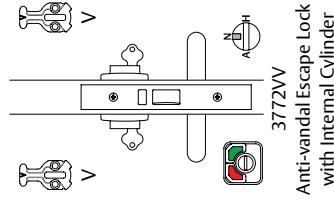
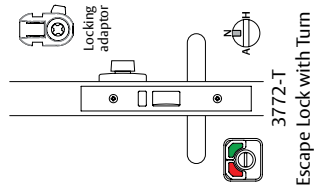
Orderable Configurations

3772SS	3772 Universal Primary Lock 60mm Backset
3772TSS	3772 Universal Primary Lock 60mm Backset with Locking Adaptor
3772NSF8SS	3772 Universal Primary Lock HD Hub Spring 8mm Hub 60mm Backset
3772NOHDSS	3772 Universal Primary Lock HD Hub Spring No Hub Disc 60mm Backset
3772RSS	3772 Universal Primary Lock Rad Faceplate 60mm Backset
3772RTSS	3772 Universal Primary Lock Rad Faceplate 60mm Backset with Locking Adaptor
3772NSFNHDSS	3772 Universal Primary Lock Non Sprung Furniture, No Hub Disc 60mm Backset

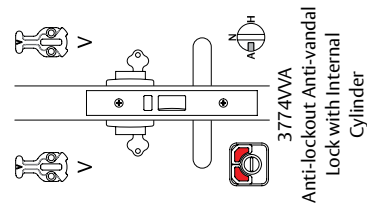
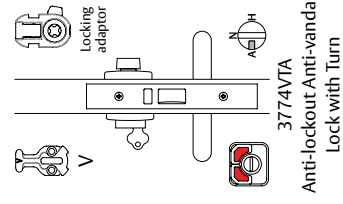
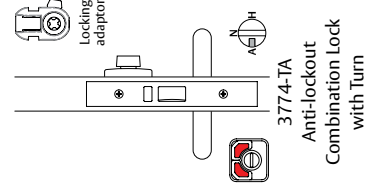
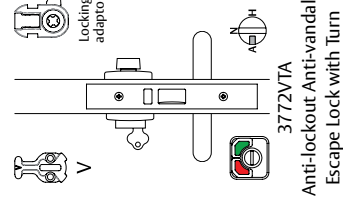
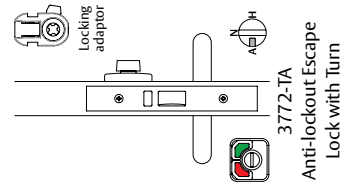
3772 Series MkII Escape Locks - Functions



3774 Series Combination Locks - Functions

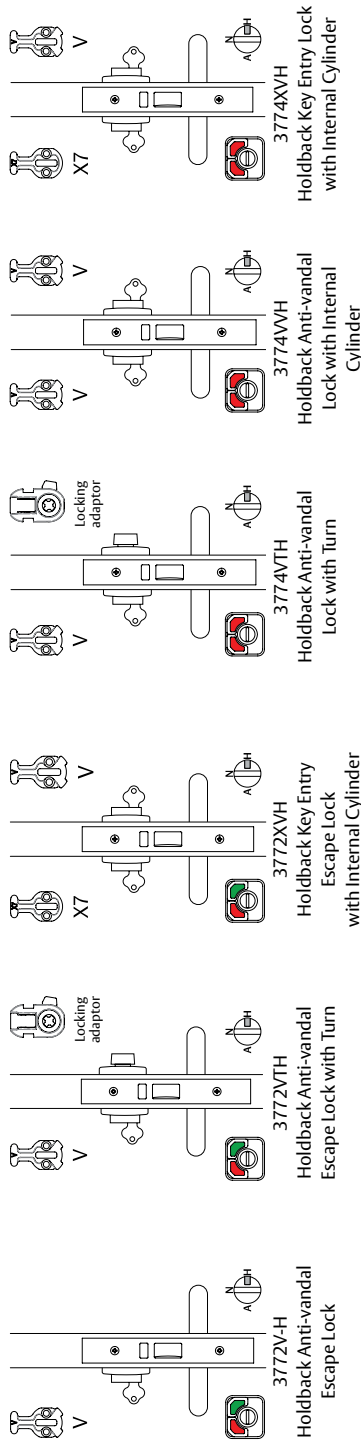


3772/3774 Series Anti-lockout Locks - Functions

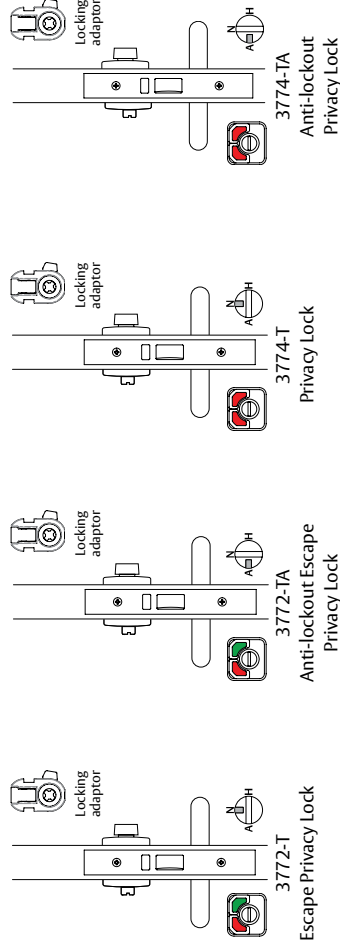


Legend	
	Hub Setting
	Lock Function Setting
	Cam or Adaptor

3772/3774 Series MkII Holdback Locks - Functions



3772/3774 Series MkII Privacy Locks - Functions

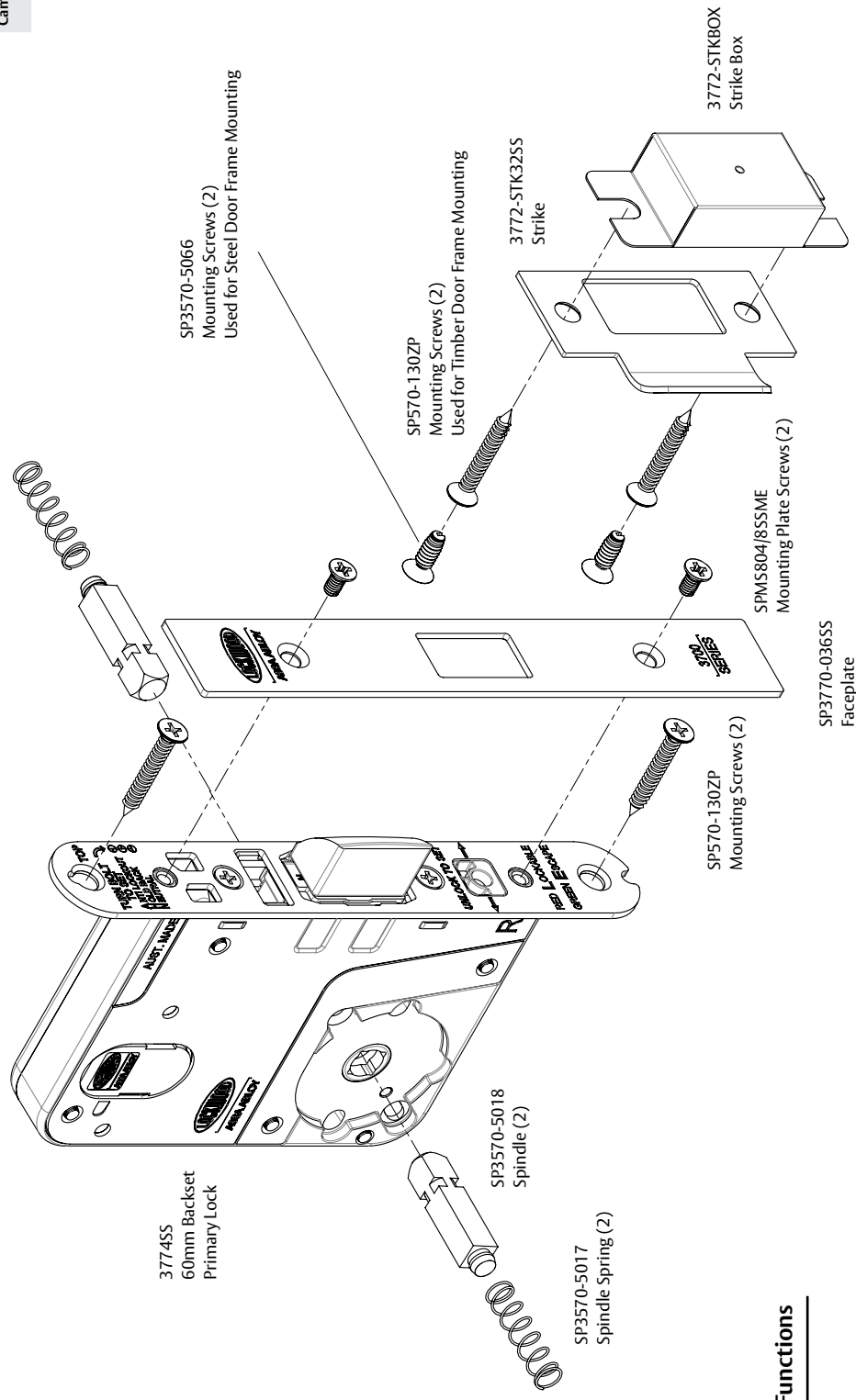


Legend	
Hub Setting	
Lock Function Setting	
Cam or Adaptor	

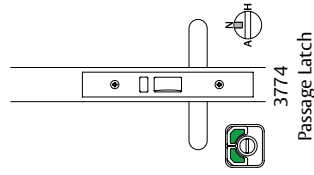
Anti-lockout - Closing the door or retracting latch bolt unlocks the lock, preventing lockout situations.
 Holdback - Latch bolt can be held within the lock. **Holdback must not be activated on fire doors.**
 For questions concerning our fire rated products, their specifications and their utilization please contact ASSA ABLOY or relevant Fire Door manufacturer.

3774 Series MkII Passage Latch

These locks allow operation of outside and inside handles at all times with no locking function.



3774 Passage Latch - Functions



Legend	
Hub Setting	
Lock Function Setting	
Cam or Adaptor	

3774 Series Passage Latch

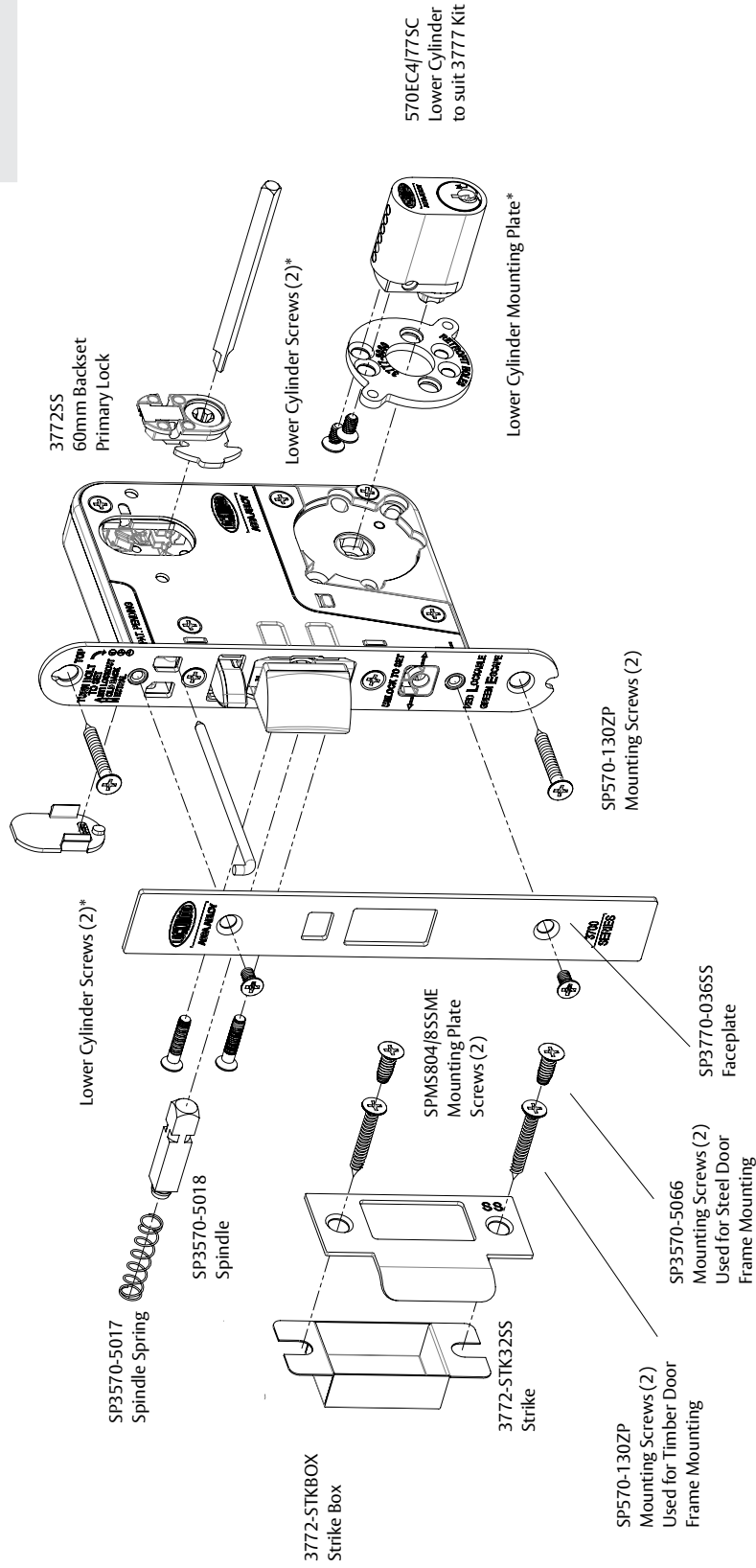
Orderable Configurations

3774SS	3774 Passage Latch Primary Lock 60mm Backset
3774RSS	3774 Passage Latch Primary Lock Rad Faceplate 60mm Backset

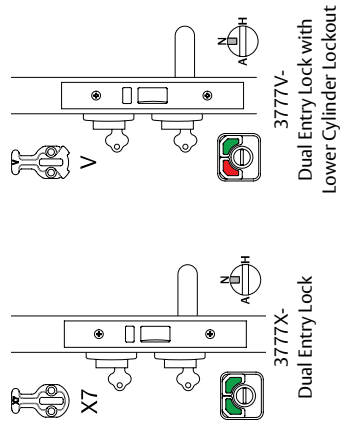
3777 Series MkII Dual Entry Lock

Designed to enable third parties such as emergency services to enter specific areas by second cylinder without giving access to all locksets in the building and the ability to lockout keys with restricted access at certain times.

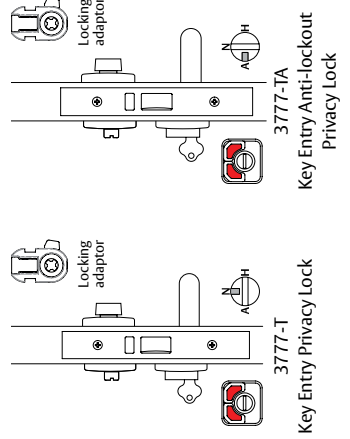
Legend	
Hub Setting	
Lock Function Setting	
Cam or Adaptor	



3777 Series Dual Entry Locks - Functions



3777 Series Dual Entry Privacy Lock - Functions



3777 Series Dual Entry Lock




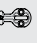
Orderable Configurations

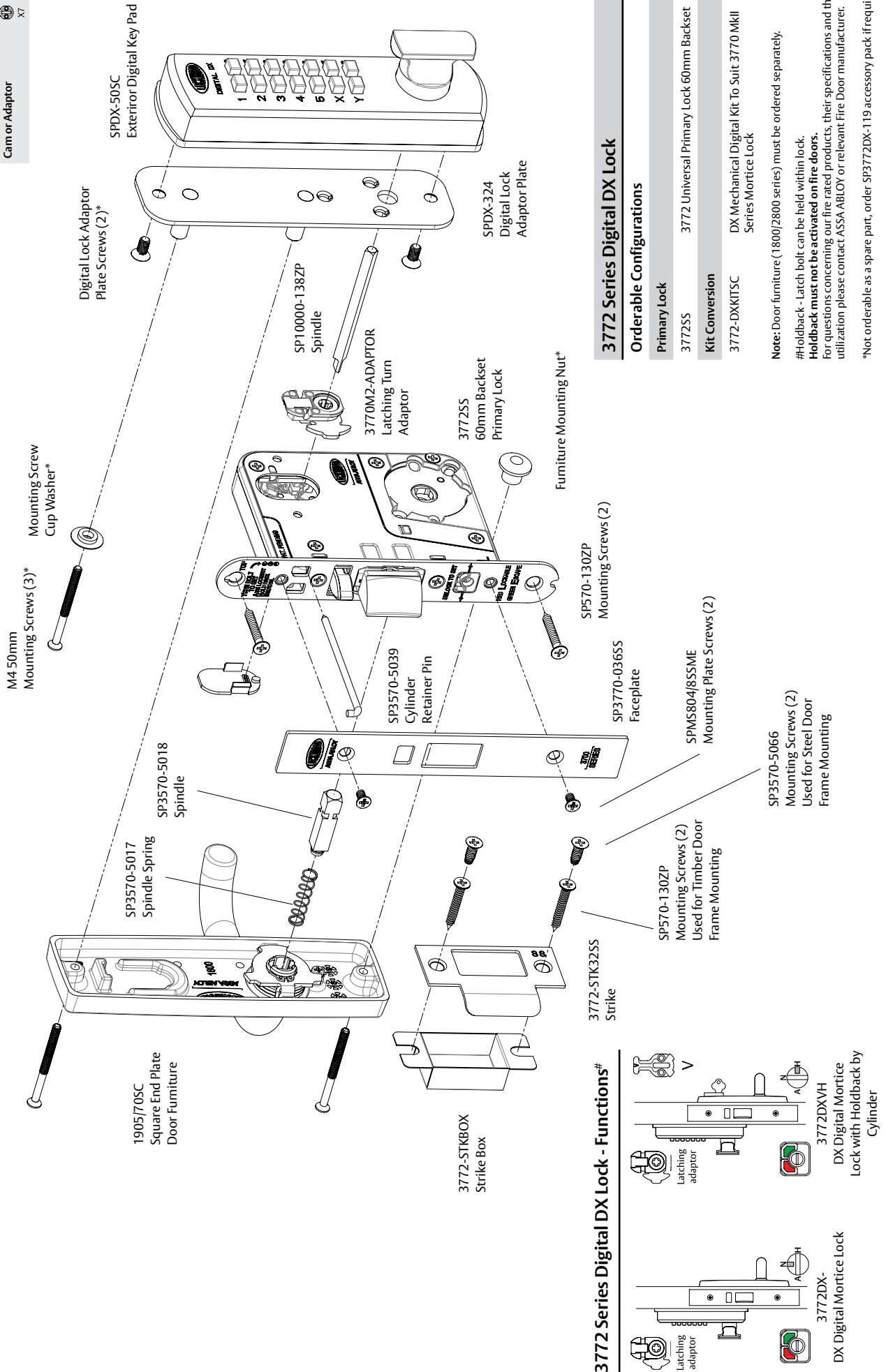
Primary Lock	3772 Universal Primary Lock 60mm Backset
3772SS	3772 Universal Primary Lock 60mm Backset with Locking Adaptor
Kit Conversion	3770 Dual Cylinder-Lower Cylinder Mounting Kit 570E Type Cylinder
3777-KIT	

Note: Lower cylinder must be ordered separately.

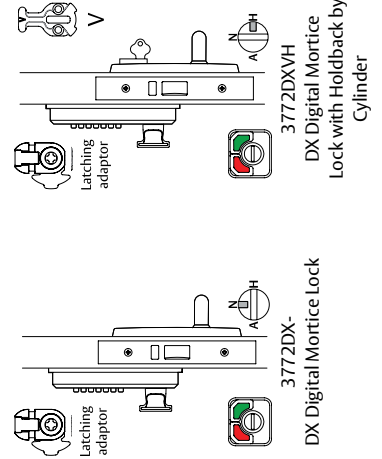
*Not orderable as a spare part, order 3777-KIT if required.

3772 Series Digital DX Lock

Legend	
Hub Setting	
Lock Function Setting	
Cam or Adaptor	



3772 Series Digital DX Lock - Functions#



3772 Series Digital DX Lock

Orderable Configurations

Primary Lock	3772SS	3772 Universal Primary Lock 60mm Backset
Kit Conversion	3772-DXKITSC	DX Mechanical Digital Kit To Suit 3770 MKII Series Mortice Lock

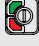
Note: Door furniture (1800/2800 series) must be ordered separately.


#Holdback - Latch bolt can be held within lock. Holdback must not be activated on fire doors. For questions concerning our fire rated products, their specifications and their utilization please contact ASSA ABLLOY or relevant Fire Door manufacturer.

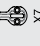
*Not orderable as a spare part, order SP3772DX-119 accessory pack if required.

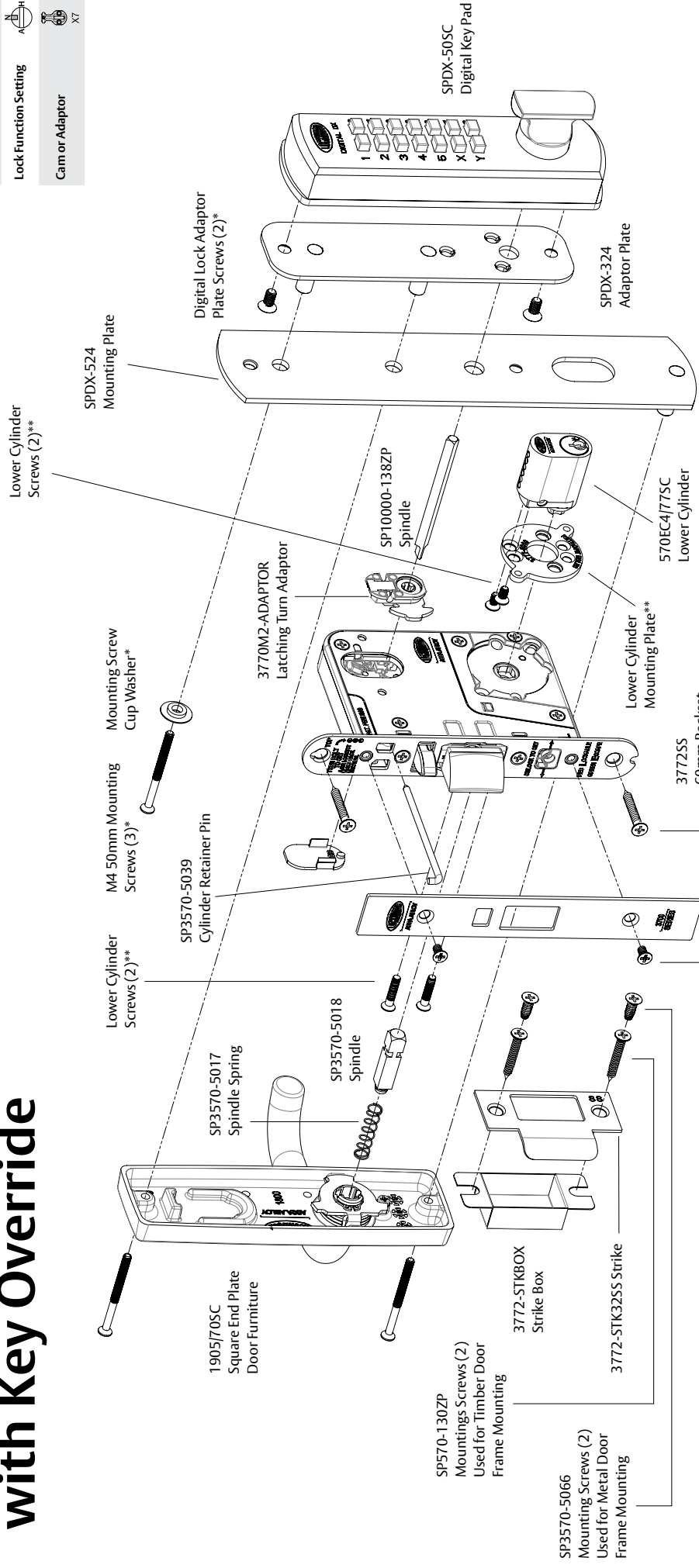
3772 Series Digital DX Lock with Key Override

Legend

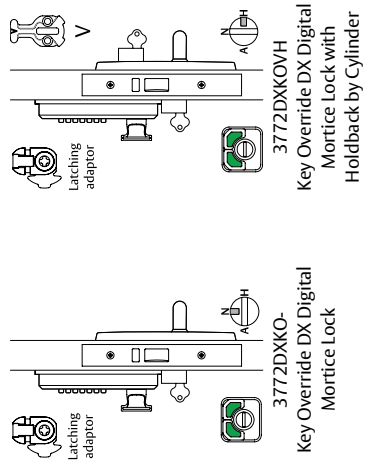
Hub Setting 

Lock Function Setting 

Cam or Adaptor 



3772 Series Digital DX Lock with Key Override - Functions#



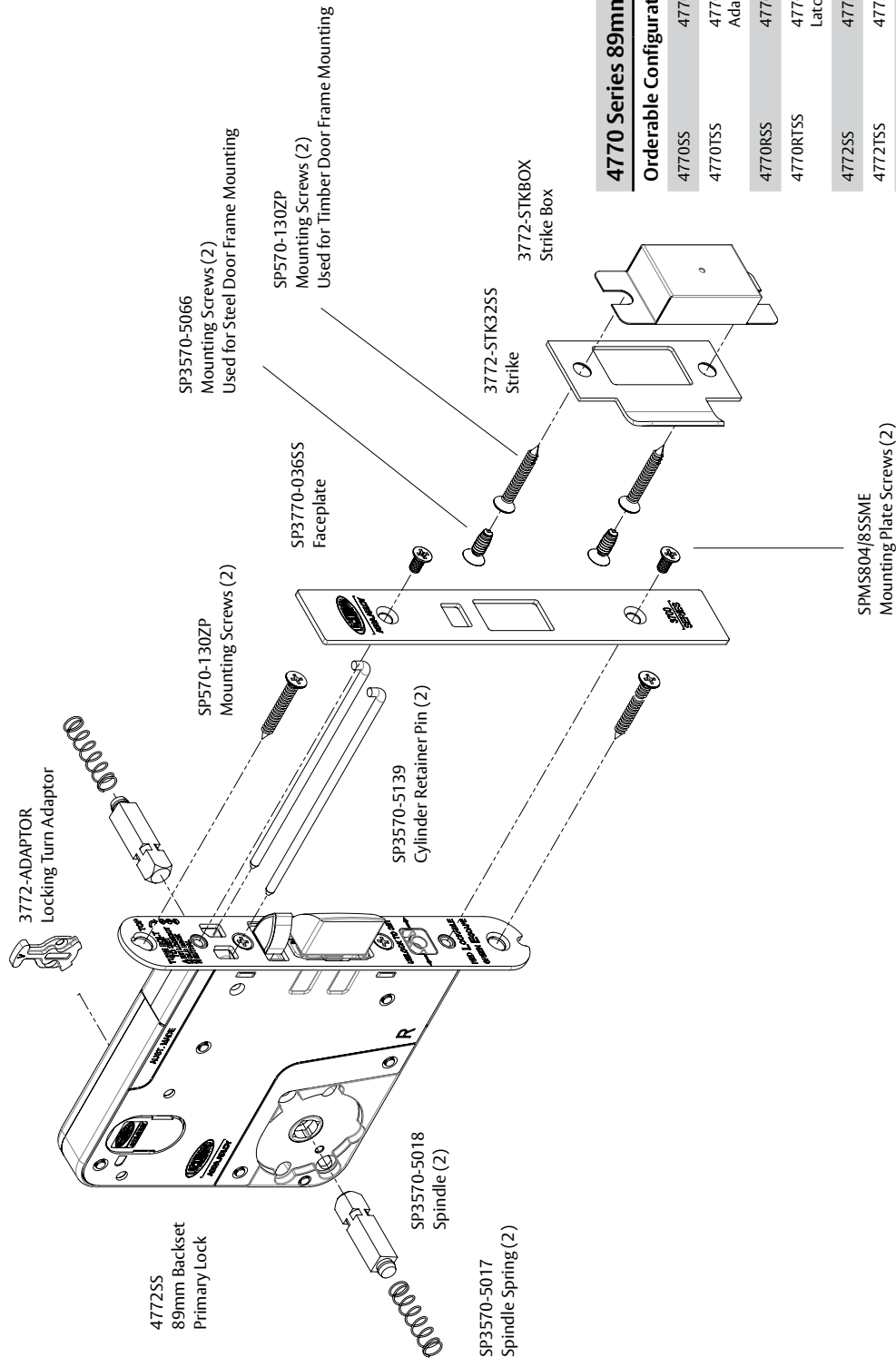
3772 Series Digital DX Lock with Key Override

Orderable Configurations

Primary Lock	3772SS	3772 Universal Primary Lock 60mm Backset
Kit Conversion	3772-DXKOKITSC	DX Mechanical Digital Kit Key Override to Suit: 3770 MkII Series Mortice Lock

Note: Door furniture (1800/2800 series) and lower cylinder must be ordered separately.
 #Holdback - Latch bolt can be held within lock. **Holdback must not be activated on fire doors.**
 For questions concerning our fire rated products, their specifications and their utilization please contact ASSA ABLLOY or relevant Fire Door manufacturer.
 **Not orderable as a spare part, order SP3772DX-119 accessory pack if required.
 ***Not orderable as a spare part, order 3777-KIT if required.

4770 Series MkII 89mm Extended Backset Mortice Lock

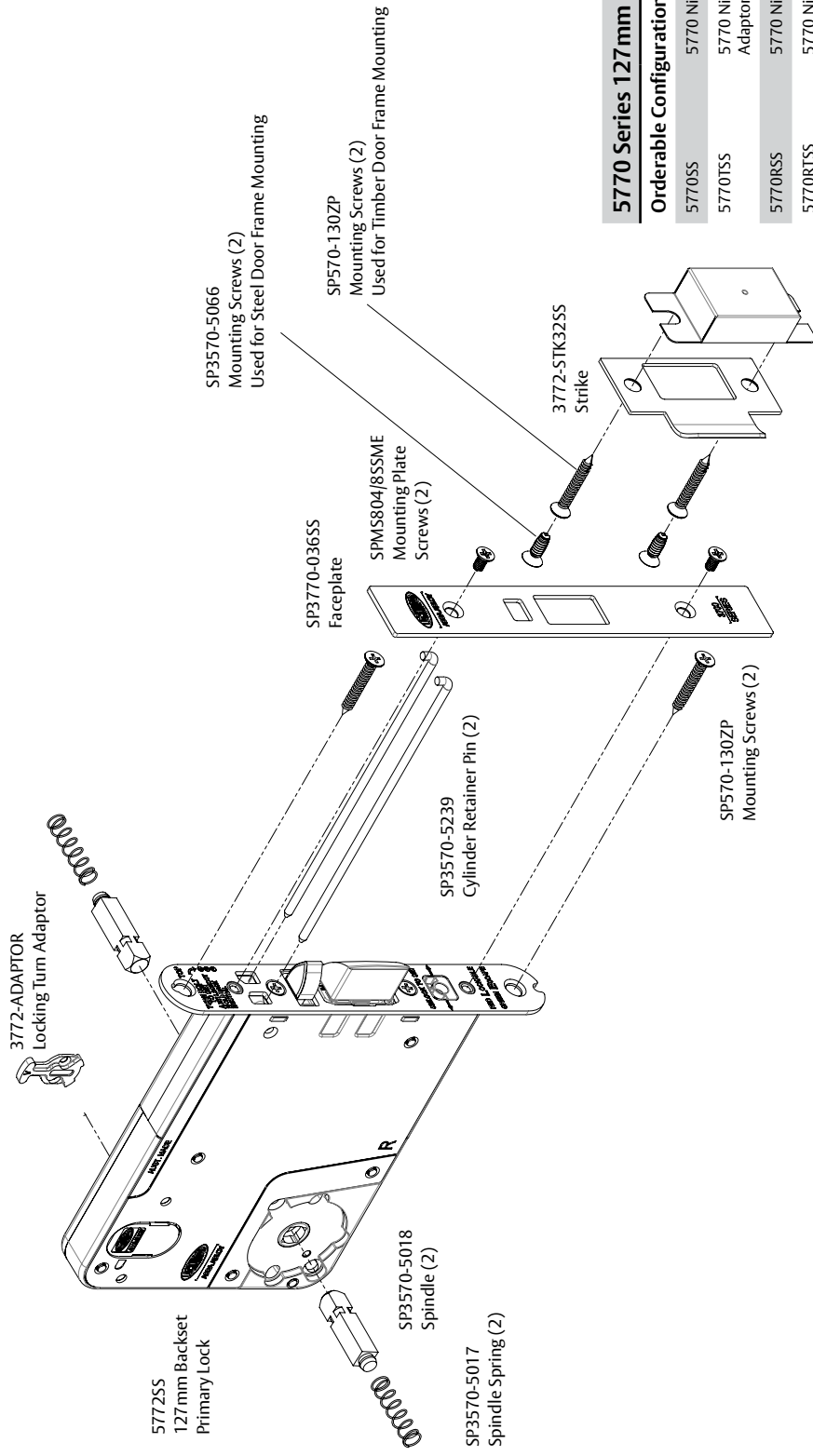


4770 Series 89mm Extended Backset Mortice Lock

Orderable Configurations

4770SS	4770 Nighthatch Primary Lock 89mm Backset
4770TSS	4770 Nighthatch Primary Lock 89mm Backset Including Latching Adaptor
4770RSS	4770 Nighthatch Primary Lock Rad Faceplate 89mm Backset
4770RTSS	4770 Nighthatch Primary Lock Rad Faceplate 89mm Backset with Latching Adaptor
4772SS	4772 Universal Primary Lock 89mm Backset
4772TSS	4772 Universal Primary Lock 89mm Backset with Locking Adaptor
4772NSF8SS	4772 Universal Primary Lock HD Hub Spring 8mm Hub 89mm Backset
4772NOHDSS	4772 Universal Primary Lock HD Hub Spring No Hub Disc 89mm Backset
4772RSS	4772 Universal Primary Lock Rad Faceplate 89mm Backset
4772RTSS	4772 Universal Primary Lock Rad Faceplate 89mm Backset with Locking Adaptor

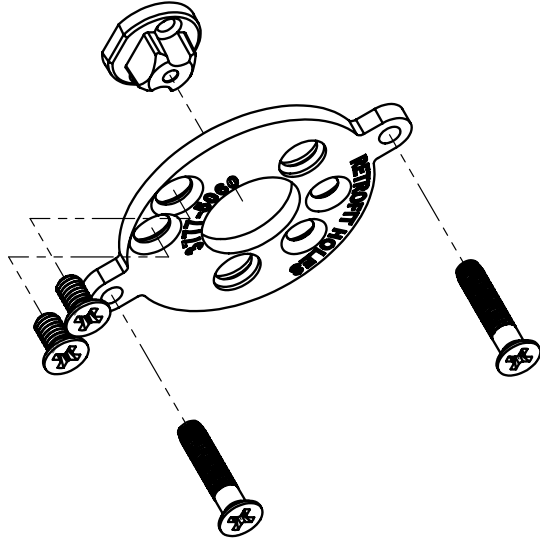
5770 Series MkII 127mm Extended Backset Mortice Lock



5770 Series 127mm Extended Backset Mortice Lock

Orderable Configurations

5770SS	5770 Nighthatch Primary Lock 127mm Backset
5770TSS	5770 Nighthatch Primary Lock 127mm Backset Including Latching Adaptor
5770RSS	5770 Nighthatch Primary Lock Rad Faceplate 127mm Backset
5770RTSS	5770 Nighthatch Primary Lock Rad Faceplate 127mm Backset with Latching Adaptor
5772SS	5772 Universal Primary Lock 127mm Backset
5772TSS	5772 Universal Primary Lock 127mm Backset with Locking Adaptor
5772NSF8SS	5772 Universal Primary Lock HD Hub Spring 8mm Hub 127mm Backset
5772NOHDSS	5772 Universal Primary Lock HD Hub Spring No Hub Disc 127mm Backset
5772RSS	5772 Universal Primary Lock Rad Faceplate 127mm Backset
5772RTSS	5772 Universal Primary Lock Rad Faceplate 127mm Backset with Locking Adaptor



3777-KIT

Dual Entry Kits

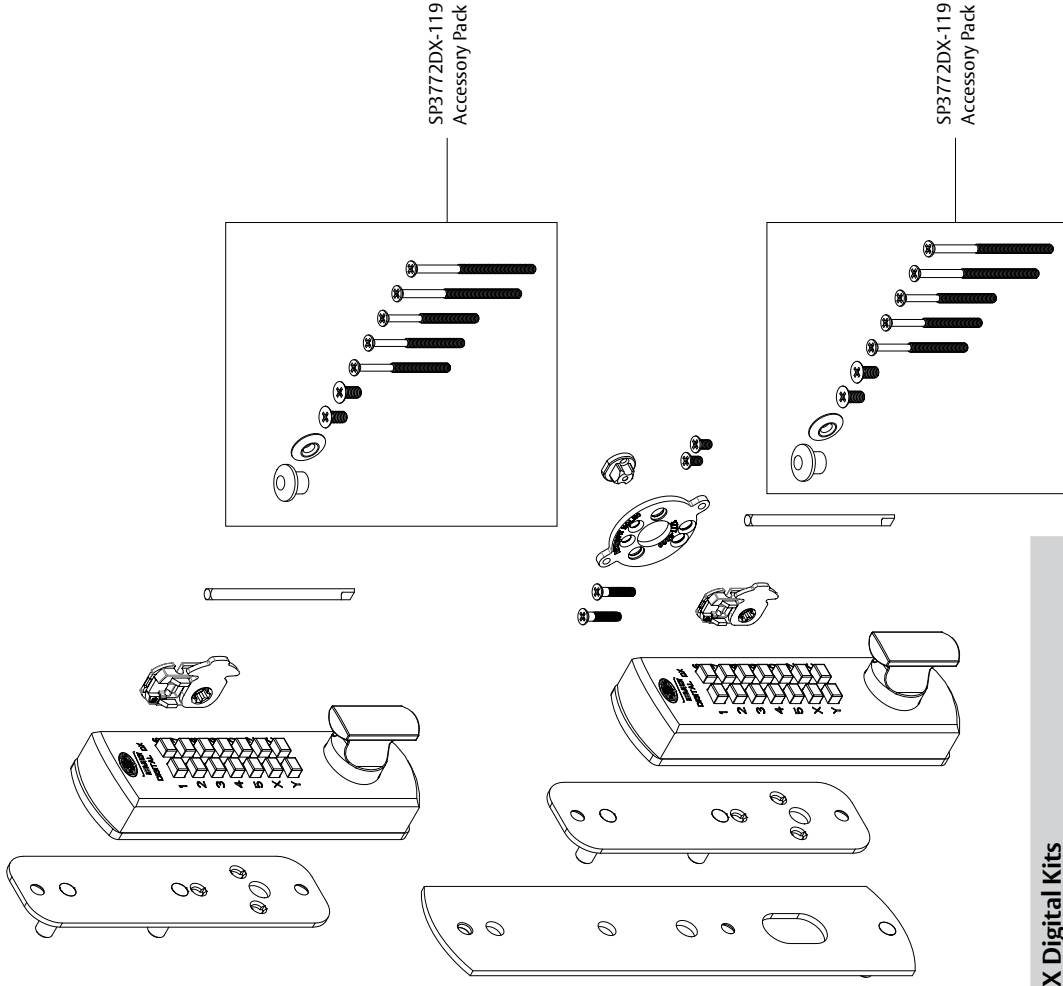
Orderable Configurations

3777-KIT

For new 3777 dual entry applications

Notes

Dual Entry Kits include: Lower cylinder mounting plate, spindle cam and mounting screws. Retrofit kit does not include spindle cam. Cylinders must be ordered separately. 3777-KIT can be used for retrofit cylinders but no screws are supplied.



SP3772DX-119
Accessory Pack

SP3772DX-119
Accessory Pack

DX Digital Kits

Orderable Configurations

3772-DXXKITSC

DX Digital Kit

3772-DXXKOKITSC

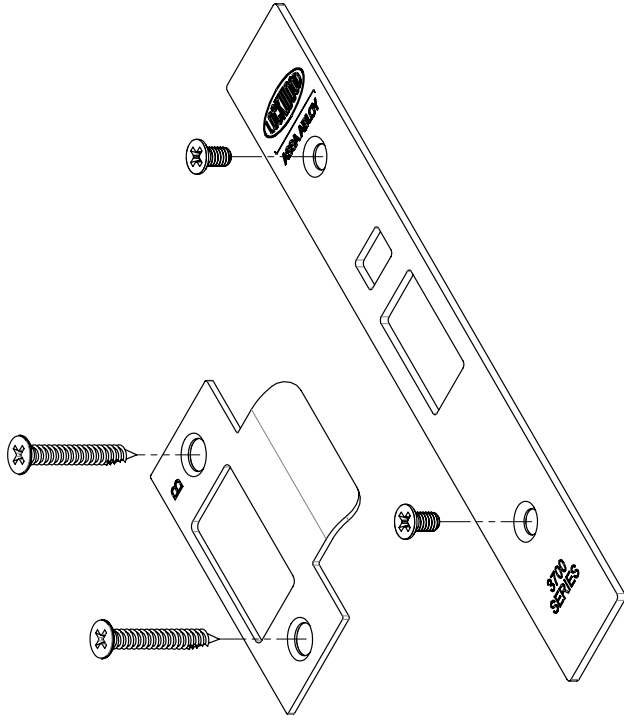
DX Digital with Key Override Kit

Notes

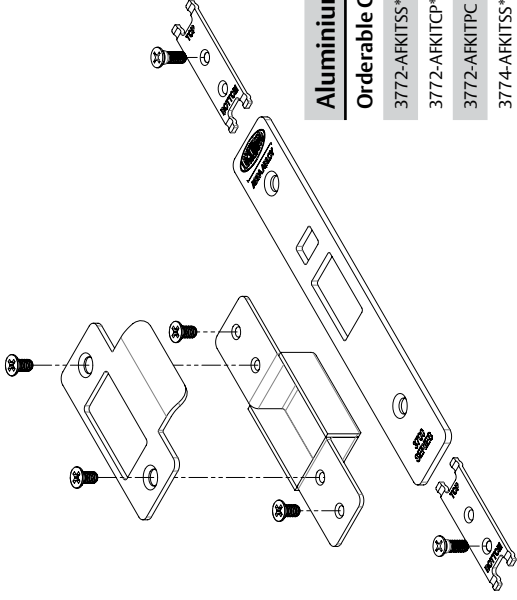
DX Digital kits include: Digital keypad, mounting plate, codepad spindle, associated mounting screws and a latching adaptor. Cylinders and door furniture (1800 or 2800 series) must be ordered separately.

Alternative Finish Kits

Finish kits include: Strike, faceplate and screws



Aluminium Fixing Kit



Aluminium Fixing Kits

Orderable Configurations

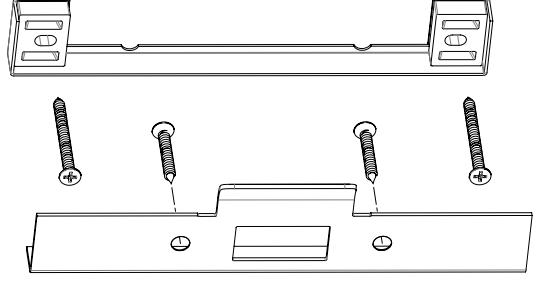
3772-AFKITSS*	Stainless Steel
3772-AFKITCP*	Chrome Plate
3772-AFKITPC	Powder Coat
3774-AFKITSS*	Stainless Steel
3774-AFKITCP*	Chrome Plate
3774-AFKITPC	Powder Coat

Notes

*Faceplate screws not included.

3774 aluminium fixing kits only suitable for 3774 Passage Latch, for 3774 Combination Locks please order 3772 kits.

Rebate Kits



32mm Lip Strike

Orderable Configurations

Orderable Configurations	46mm Lip Strike	Finish
3772-RK32CP	3772-RK46CP	Chrome Plate
3772-RK32PB	3772-RK46PB	Polished Brass
3772-RK32SS	3772-RK46SS	Stainless Steel

Finish Kits

Orderable Configurations

3772-FINKITCP*	Chrome Plate
3772-FINKITPB	Polished Brass
3772-FINKITPC	Powder Coat
3772R-FINKITSS*	Stainless Steel
3772R-FINKITCP*	Chrome Plate
3772R-FINKITPB	Polished Brass
3772R-FINKITPC	Powder Coat
3774-FINKITCP*	Chrome Plate
3774-FINKITPB	Polished Brass
3774-FINKITPC	Powder Coat
3774R-FINKITCP*	Chrome Plate
3774R-FINKITPB	Polished Brass
3774R-FINKITPC	Powder Coat

Notes

*Screws not included. 3774 finish kits only suitable for 3774 Passage Latch, for 3774 Combination Locks please order 3772 finish kits. Part numbers containing 'R' i.e. 3772R-FINKITPB comes with a radius end faceplate.

Synergy® / Selector® Conversion Chart

Nightlatches

Synergy Series	Selector Series	Function Description	Note
3570SC	3770SS	Nightlatch Primary Lock	
3570-T#SC	3770-TSS	Nightlatch with Turn	
3570X-#SC	3770X-SS	Nightlatch with Cylinder	
3570XT#SC	3770XTSS	Nightlatch with Cylinder and Turn	
3570XX#SC	3770XXSS	Nightlatch with Double Cylinder	

Escape Locks

Synergy Series	Selector Series	Function Description	Note
3572SC	3772SS	Escape Primary Lock	
3572EA#SC	3772-TASS	Anti-lockout Escape Privacy Lock	
3572M-#SC	3772V-SS	Anti-vandal Escape Lock	V cam has the functionality of locking lock and retracting bolt without an adaptor.
3572-T#SC	3772-TSS	Escape Lock with Turn	
3572WA#SC	3772VTASS	Anti-lockout Anti-vandal Escape Lock with Turn	V cam has the functionality of locking lock just as the W cam. V cam also retracts bolt after unlocking lock.
3572WT#SC	3772VTSS	Anti-vandal Escape Lock with Turn	V cam has the functionality of locking lock just as the W cam. V cam also retracts bolt after unlocking lock.
3572X-#SC	3772X-SS	Key Entry Escape Lock	X7 cam has the functionality of retracting bolt and locking lock. Does not have unlocking functionality.
3572XA#SC	3772VTASS	Anti-lockout Anti-vandal Escape Lock with Turn	V cam has the functionality of locking lock and retracting bolt without an adaptor.
3572XT#SC	3772XTSS	Key Entry Escape Lock with Turn	X7 cam has the functionality of retracting bolt and locking lock. Does not have unlocking functionality.
3572XZ#SC	3772XVSS	Key Entry Escape Lock with Internal Cylinder	X7 cam has the functionality of retracting bolt and locking lock. Does not have unlocking functionality.
3572-Z#SC	3772-VSS	Escape Lock with Internal Cylinder	V cam has the functionality of locking lock just as the Z cam. V cam also retracts bolt after unlocking lock.
3572Z-#SC	3772V-SS	Anti-vandal Escape Lock	V cam has the functionality of locking lock just as the Z cam. V cam also retracts bolt after unlocking lock.

Combination Locks

Synergy Series	Selector Series	Function Description	Note
3574SC	3774SS	Passage Latch	
3574ET#SC	3774-TSS	Privacy Lock	
3574WT#SC	3774VTSS	Anti-vandal Lock with Turn	V cam has the functionality of locking lock just as the W cam. V cam also retracts bolt after unlocking lock.
3574XX#SC	3774XXSS	Key Entry Double Cylinder Lock	X7 cam has the functionality of retracting bolt and locking lock. Does not have unlocking functionality.
3574XZ#SC	3774XVSS	Key Entry Lock with Internal Cylinder	V cam has the functionality of locking lock just as the Z cam. V cam also retracts bolt after unlocking lock.
3574-Z#SC	3774-VSS	Combination Lock with Internal Cylinder	V cam has the functionality of locking lock just as the Z cam. V cam also retracts bolt after unlocking lock.
3574Z-#SC	3774V-SS	Anti-vandal Combination Lock	V cam has the functionality of locking lock just as the Z cam. V cam also retracts bolt after unlocking lock.
3574ZZ#SC	3774VSS	Anti-vandal Lock with Internal Cylinder	V cam has the functionality of locking lock just as the Z cam. V cam also retracts bolt after unlocking lock.

Synergy® / Selector® Conversion Chart

Dual Entry Locks

Synergy Series	Selector Series	Function Description	Note
3577SC			3772SS primary lock can be converted to a dual entry lock with the 3777-KIT.
3577EA#SC	3777-TASS	Key Entry Anti-lockout Privacy Lock	
3577M-#SC	3777V-SS	Dual Entry Lock with Lower Cylinder Lockout	V cam has the functionality of locking lock and retracting bolt without an adaptor.
3577X-#SC	3777X-SS	Dual Entry Lock	X7 cam has the functionality of retracting bolt and locking lock. Does not have unlocking functionality.

Holdback Locks

Synergy Series	Selector Series	Function Description	Note
3578SC			Holdback functionality is available in 3772 primary lock.
3578M-#SC	3772V-HSS	Holdback Anti-vandal Escape Lock	V cam has the functionality of locking lock and retracting bolt without an adaptor.
3578WT#SC	3772VTHSS	Holdback Anti-vandal Escape Lock with Turn	V cam has the functionality of locking lock just as the W cam. V cam also retracts bolt after unlocking lock.
3578Z-#SC	3772V-HSS	Holdback Anti-vandal Escape Lock	V cam has the functionality of locking lock just as the Z cam. V cam also retracts bolt after unlocking lock.
3578XZ#SC	3772XVHSS	Holdback Key Entry Escape Lock with Internal Cylinder	V cam has the functionality of locking lock just as the Z cam. V cam also retracts bolt after unlocking lock. X7 cam has the functionality of retracting bolt and locking lock. Does not have unlocking functionality.

Accessories

ES2100 Electric Strike Faceplate

To work in conjunction with the Lockwood Padde Series ES2100 electric strike for door position monitoring.

Strike Faceplate

Orderable Configurations

3772-2100SS	To suit: 3770 series
3772AF-2100SS*	To suit: 3770 series with Aluminium Door Fixing
3782-2100SS	To suit: 3780 series
3782TF-2100SS*	To suit: 3780 series with Timber Door Fixing

*Aluminium or timber kits (3772-AFKIT, 3782-TFKIT) included

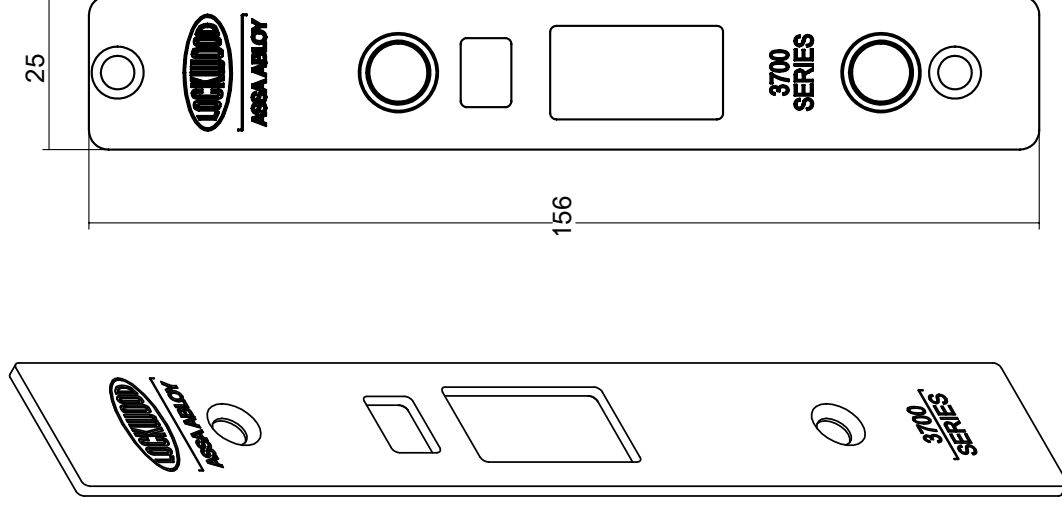
Security Faceplate Screw Kit

Kits contain replacement faceplate screws with tamper resistant TR20 torx drive heads.

Screw Kit

Orderable Configurations

3772-SECKIT	To suit: 3770 series (2 screws)
3782-SECKIT	To suit: 3780 series (5 screws)

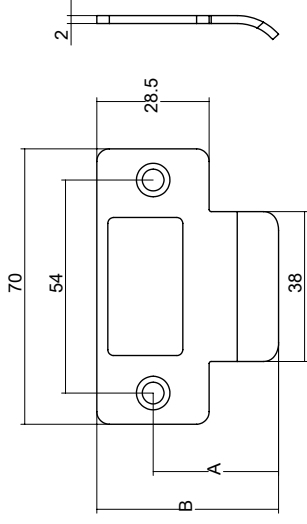
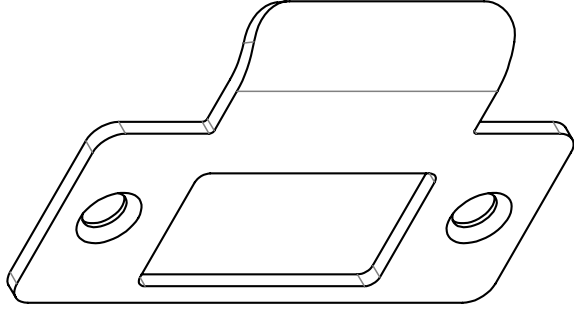
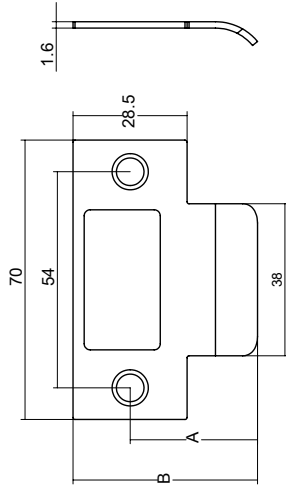
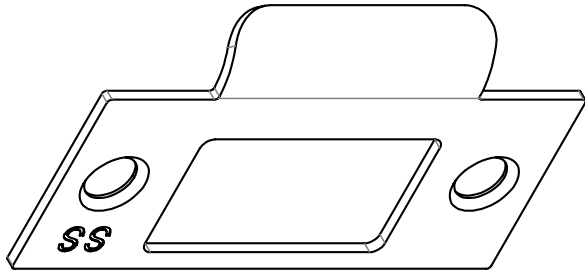


3772-2100SS

3782-2100SS

Strike Plate Kits

Standard Strike Plates



3770 Series Standard Strike Plate

Orderable Configurations

	"A" length	"B" length
3772-STK25XX	25.4mm	39.3mm
3772-STK32XX	32mm	46.1mm
3772-STK43XX	43.5mm	57.8mm
3772-STK47XX	47.5mm	61.8mm
3772-STK60SS	60mm	74.2mm

*XX designates the finish: CP - Chrome Plate ; PB - Polished Brass ; SS - Stainless Steel
*60mm strike plate is only available in SS finish

3780 Series Standard Strike Plate

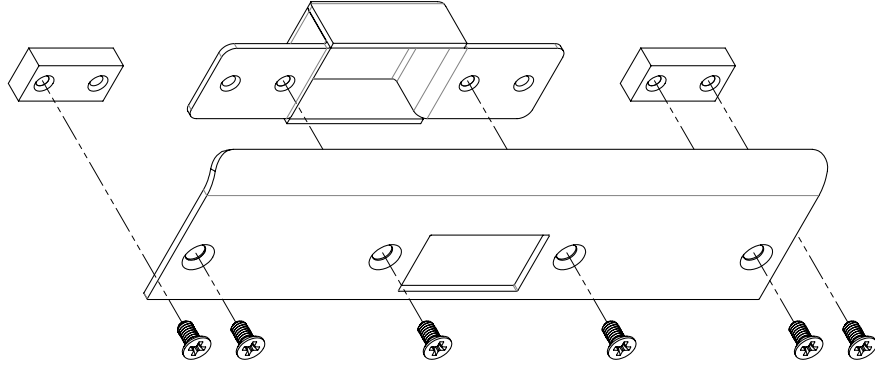
Orderable Configurations

	"A" length	"B" length
3782-STK32XX	32mm	46.1mm
3782-STK74SS	74mm	88.5mm

*XX designates the finish: CP - Chrome Plate ; PB - Polished Brass ; SS - Stainless Steel
*74mm strike plate is only available in SS finish

Retrofit Strike Kit

For replacement of existing installations where Lockwood 5900, 595 and Astra Short Backset are used. For replacement of Astra specify 25.4mm backset.

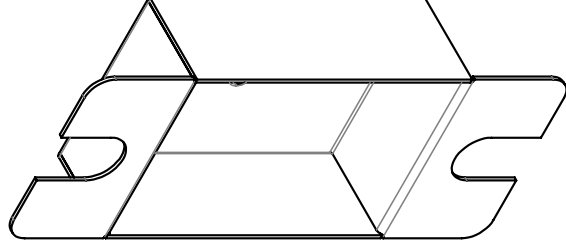


Retrofit Strike Kit

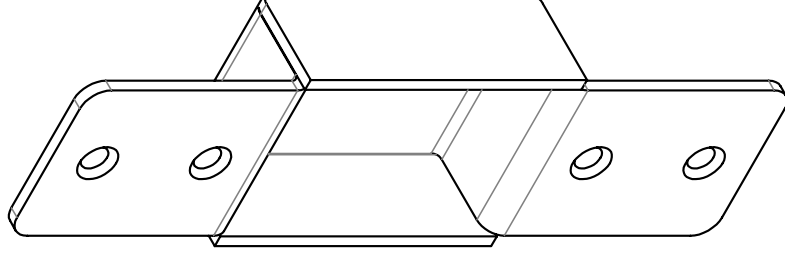
Orderable Configurations

3782-RFSTKCP	Chrome Plate
3782-RFSTKSC	Satin Chrome

Strike Box



3772-STKBOX



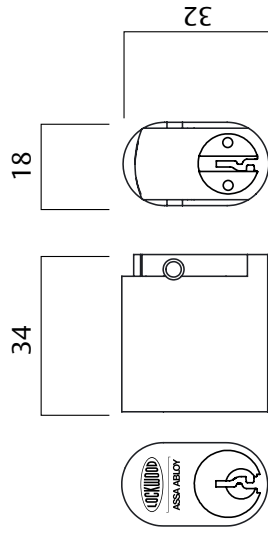
3782-STKBOX

Strike Box

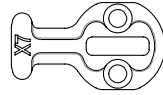
Orderable Configurations

3772-STKBOX	To suit 3770 series
3782-STKBOX	To suit 3780 series

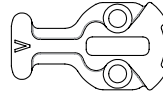
Cylinders



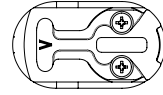
3700 Series



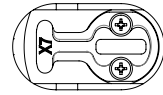
"X7" Cam
SP3700|X7CAM



"V" Cam
SP3700|VCAM



"V" Cam Cylinder
570C4|VSC



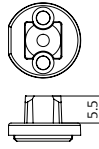
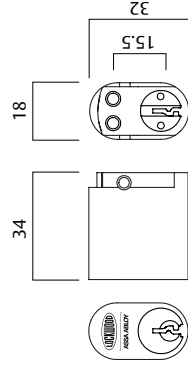
"X7" Cam Cylinder
570C4|X7SC

Standard 570 cylinder

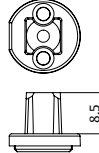
This cylinder is used on Lockwood Cylinder Mortice Locks. The Selector® series uses two different cylinder cams depending on the function required. Cylinder is assembled as a 5 pin tumbler mechanism but is 6 pin tumbler capable. Uses a standard 570 barrel.

Standard "C4" Assembled Cylinder Part Number

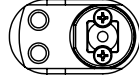
570C4 VSC	Mortice Cylinder with "V" cam
570C4 X7SC	Mortice Cylinder with "X7" cam



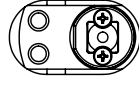
3777 Spindle Cam
SP3777|CAM



3787 Spindle Cam
SP3787|CAM



3777 Spindle
Cam Cylinder
570EC4|77SC



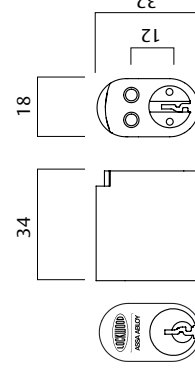
3787 Spindle
Cam Cylinder
570EC4|87SC

570E Dual Lower Cylinder

This cylinder is used as the standard cylinder for the new Selector® series dual cylinder lock. Specify lower cylinder mounting kit part numbers 3777-KIT and 3787-KIT570E for standard and short backset applications respectively. Cylinder is assembled as a 5 pin tumbler mechanism but is 6 pin tumbler capable. Uses a standard 570 barrel.

Standard "C4" Assembled Cylinder Part Number

570EC4 77SC	Lower Cylinder with 3777 Spindle Cam
570EC4 87SC	Lower Cylinder with 3787 Spindle Cam



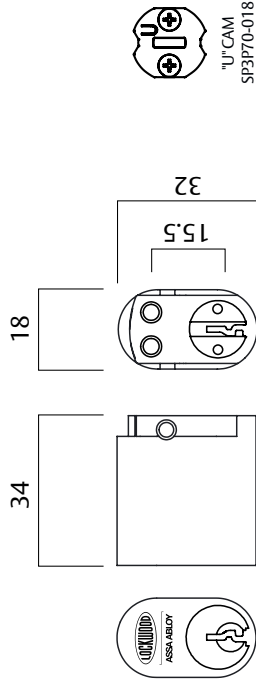
577 Dual Lower Cylinder

This cylinder was used as the dual cylinder in the Synergy range. The cylinder is compatible with the new Selector® series dual cylinder lock for retrofit purposes. Specify lower cylinder mounting kit part number 3777-KIT for this application. Cylinder is assembled as a 5 pin tumbler mechanism but is 6 pin tumbler capable. Uses a standard 570 barrel.

Standard "C4" Assembled Cylinder Part Number

577-2SC	577 Lower Cylinder for 3777 series
---------	------------------------------------

Cylinders

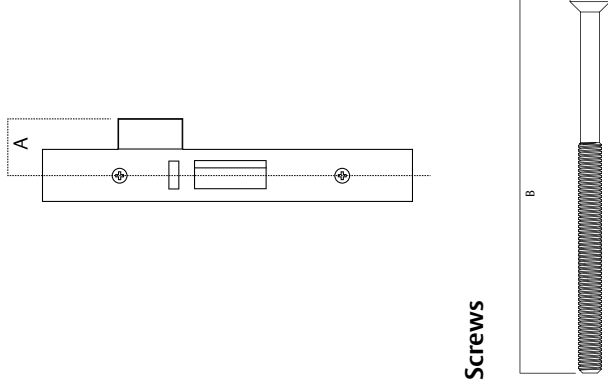


Extended Cylinder Base

This cylinder is used for the extended cylinder base to build extended cylinders using the Lockwood modular system. Cylinder is assembled as a 5 pin tumbler mechanism but is 6 pin tumbler capable. Uses a standard 570 barrel.

Standard "C4" Assembled Cylinder Part Number

570E/SC
Extended Cylinder Base with "U" cam



Screws

Screws are available in 4 sizes which can be cut and deburred to the desired length.

An extension guide is included to show the parts required for a particular length:

Overall Cylinder Length Required	Cylinder Projection (A)	Door Thickness	Extended base Cylinder	7mm Extension Kit	10mm Extension Kit	24mm Extension Kit	32mm Assembly Screw	42mm Assembly Screw	65mm Assembly Screw
34	37	35	49						
41	44	49	63	1					2
50	54	63	83	1	1				2
61	64	83	103	1	2				2
65	68	93	98	1		1			2
72	75	103	123	2		1			2
82	85	123	143	1		2			2
92	95	143	163	1	1	2			2

Standard Mortice Cylinder

Assembly Screws

Part Number	Pack Size	Length(B)	Min-Max Extension (mm) if screw uncut
SRWM4-32SS	10	32	7-24
SRWM4-42SS	10	42	14-36
SRWM4-65SS	10	65	37-58
SRWM4-75SS	10	75	47-68

Extension Kits

Part Number	Pack Size
570 EXT07	5
570 EXT10	5
570 EXT24	5

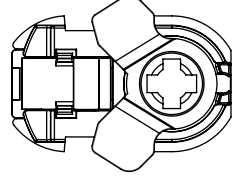
Accessories

Mortice Lock Spindles

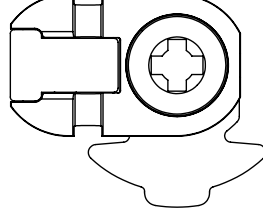


Mortice Lock Spindles				
Part Number	Pack Size	Length "A"	Door Thickness	
			Min	Max
SP3570-5018	10	33mm	32	50
SP3570-5228	1	45mm	50	75
SP3570-5238	1	58mm	75	100
SP3570-5258	1	108mm	100	200

Adaptors

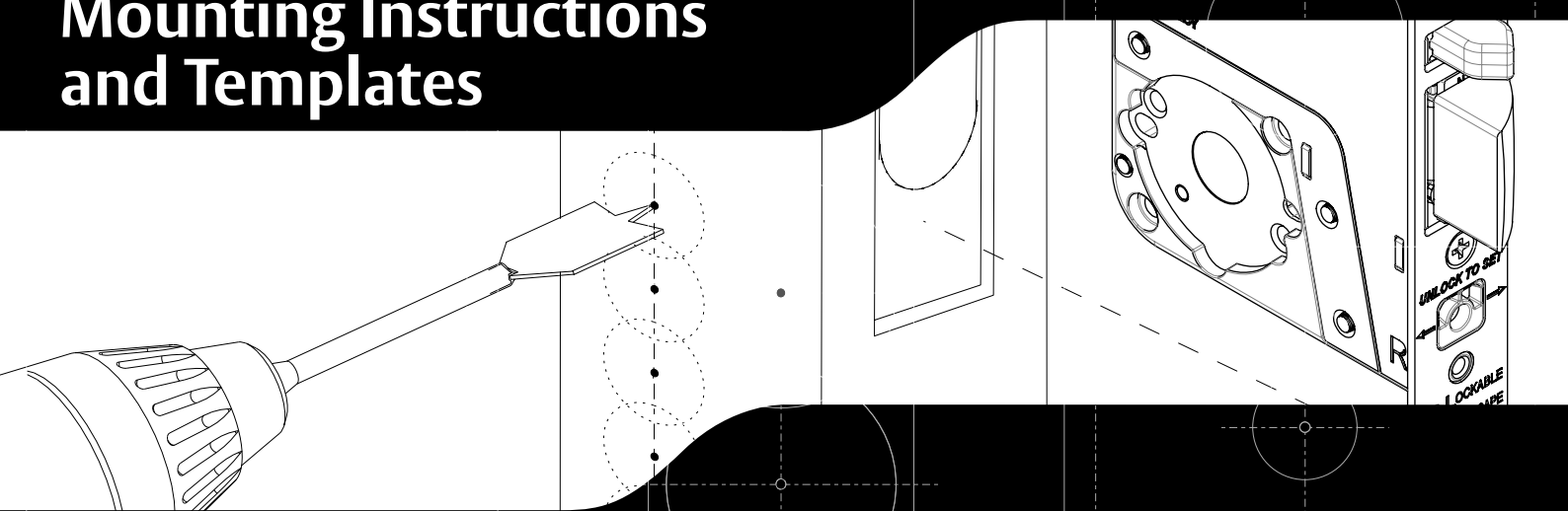
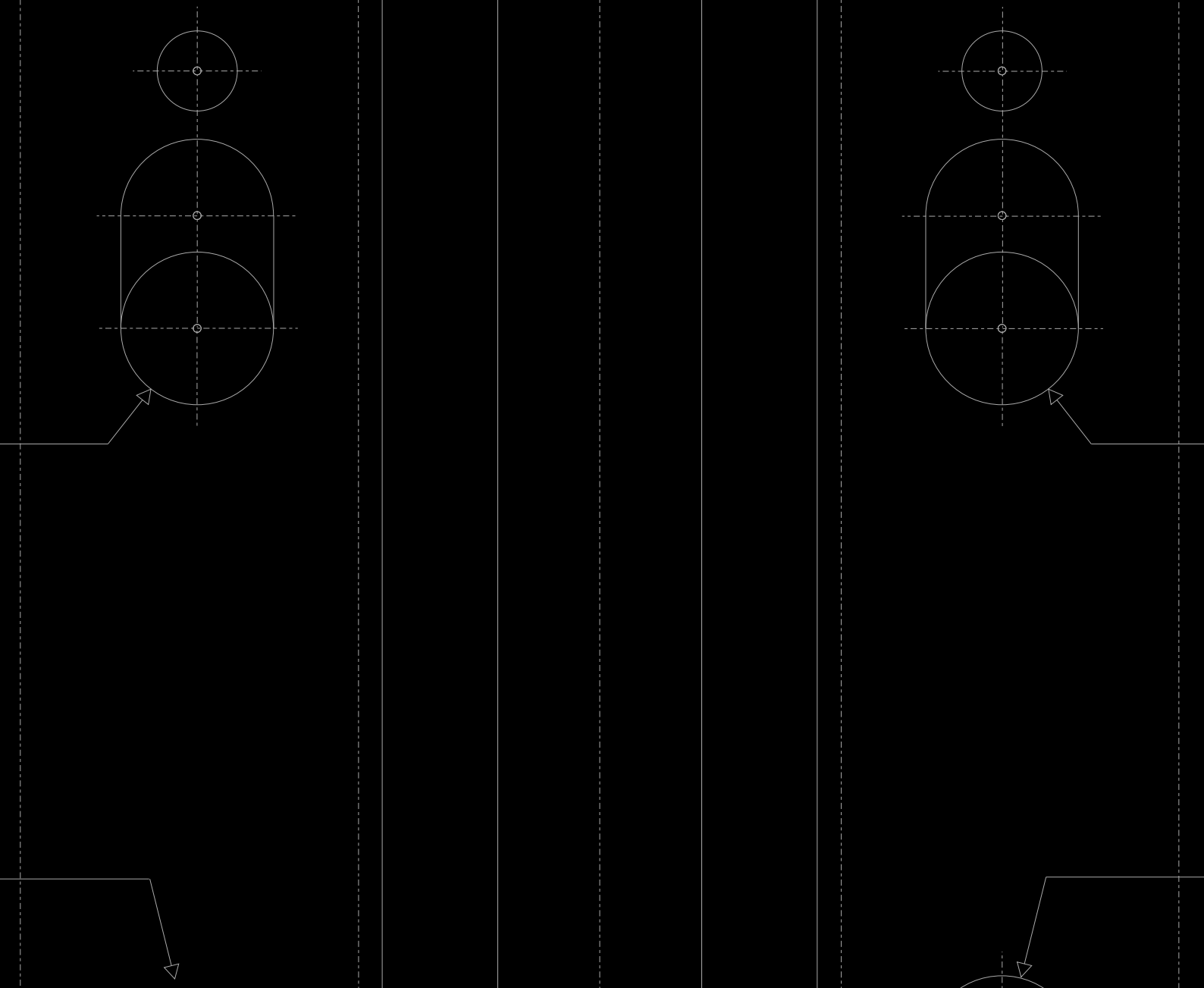


3772-ADAPTOR
Locking Turn Adaptor



3770M2-ADAPTOR
Latching Turn Adaptor

Mounting Instructions and Templates



ASSA ABLOY

3770 Series MkII Mortice Lock

SETTING AND OPERATING INSTRUCTIONS

HUB SETTING

A

- Ensure locking bar is in the unlocked (up) position. Hubs cannot be set while lock is locked.
- Using a 4mm flat blade screwdriver, rotate the dial until the required configuration is achieved. Dial can be rotated in either direction.
- **RED** - handle is lockable. Only opened by handle when locking bar is unlocked (up).
- **GREEN** - opened by handle at all times.

B **CYLINDER CAM SELECTION**

	X7 cam Retracts the latch bolt. Locks the locking bar.
	V cam Locks and unlocks the locking bar. Retracts the latch bolt after unlocking lock.

C **ADAPTOR SELECTION**

	Locking adaptor Locks and unlocks the locking bar. Does not retract the latch bolt.
	Latching adaptor Retracts the latch bolt. Does not operate the locking bar.

D **ANTI-LOCKOUT OR HOLDBACK SELECTION**

- The anti-lockout and hold back selection is located under the latch bolt.
- Pull latch bolt forward and rotate 90°.
- Using a 4mm flat blade screwdriver, rotate to the required function.
- **NOTE** : Selector can only be rotated 90° in either direction from the (N) neutral position.
- Rotate the latch bolt back to vertical ensuring the correct latch bolt handing.

	NEUTRAL LOCK Factory default. Lock operates as a standard lock.		HOLD BACK LOCK <i>Hold back must not be activated on fire doors.</i> Latch bolt can be held within the lock. To activate : Depress latch bolt and lock locking bar. To de-activate : Unlock locking bar
	ANTI-LOCKOUT LOCK Closing the door or retracting the latch bolt unlocks the lock preventing lock out situations.		

3770 Series MkII Mortice Lock

MOUNTING INSTRUCTIONS FOR TIMBER DOORS

HAND OF DOOR ACCORDING TO ENGLISH PRACTICE

DOOR OPENING IN		DOOR OPENING OUT	
INSIDE	LEFT HAND LOCK	INSIDE	LEFT HAND LOCK
RIGHT HAND LOCK		RIGHT HAND LOCK	
	LEFT HAND LOCK		LEFT HAND LOCK
OUTSIDE		OUTSIDE	

- Determine hand of lock required from chart above.
- Ensure only holes required by handing, function and furniture are cut into door.
- Disregard instructions referring to features not required.
- The lock is supplied in passage mode. The hold back and anti-lockout functions are de-activated.

1 LOCKING ADAPTOR INSTALLATION

-
-
-

- Remove cylinder plug from lock.
- Rotate the locking adaptor so one leg is pointing towards the locking bar.
- With the locking bar in the unlocked (up) position; fit the locking adaptor into the lock. Ensure the cam is engaged within the locking bar.
- Secure by pressing in the cylinder retaining pin.

2 LATCHING ADAPTOR INSTALLATION

- Selector Series II mortice lock must use gold coloured latching adaptor.
- Remove cylinder plug from lock.
- Depress the latch bolt and fit the latching adaptor.
- Secure by pressing in the cylinder retaining pin.
- Note : The face plate must be fitted to ensure correct function.

3 DOOR PREPARATION

- Establish height that lock will be on the door.
- Remove template from base of box.
- Cut mortice in door as per sizes shown on template.
- Determine what lever, cylinder or turn knob holes are required.
- Drill required furniture holes from both sides of door.
- Fit the lock into the mortice and mark using the face plate as a template.
- Remove lock and cut 4mm deep recess for the face plate.

4 LOCK INSTALLATION

-
-
-

- Place lock in mortice.
- Drill 2.5mm pilot holes and secure using 30mm long screws provided.
- To hand the latch bolt, pull latch bolt forward and rotate to required handing.

5 CYLINDER INSTALLATION

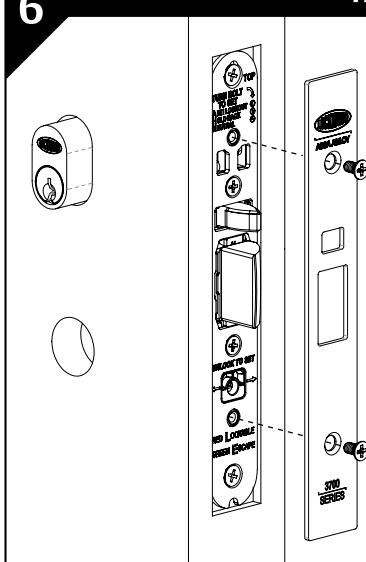
-
-

- Place the cylinder into the lock.
- Secure by pressing in the cylinder retainer pin, ensuring pin is flush with front plate.
- For cylinder cam selection refer to **SETTING AND OPERATING INSTRUCTIONS**.

3770 Series MkII Mortice Lock

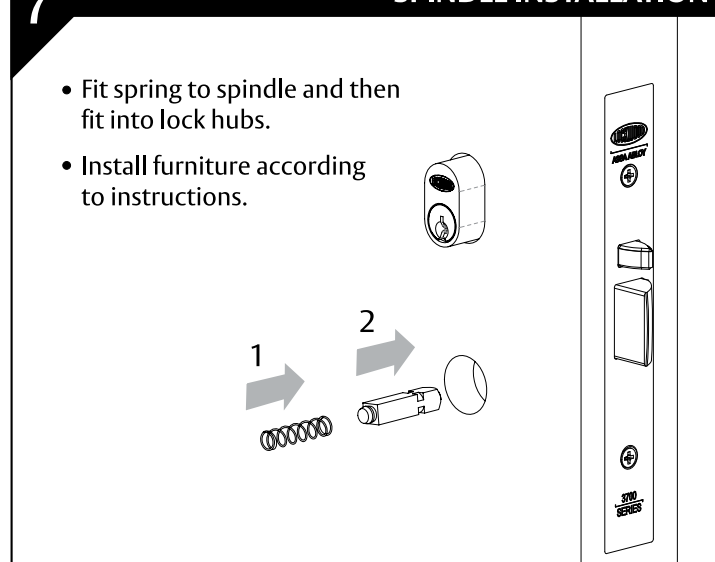
MOUNTING INSTRUCTIONS FOR TIMBER DOORS

6 FACE PLATE INSTALLATION



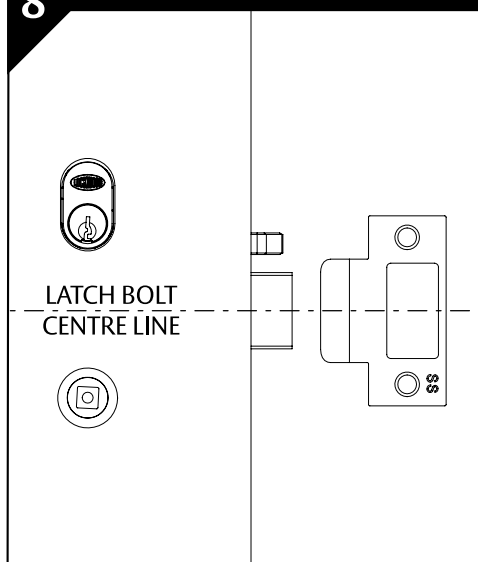
- Fit face plate onto lock using the supplied 8mm long screws.

7 SPINDLE INSTALLATION



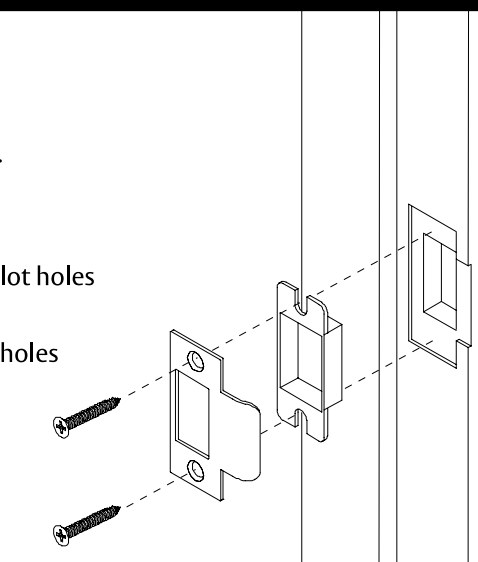
- Fit spring to spindle and then fit into lock hubs.
- Install furniture according to instructions.

8 STRIKE INSTALLATION



LATCH BOLT
CENTRE LINE

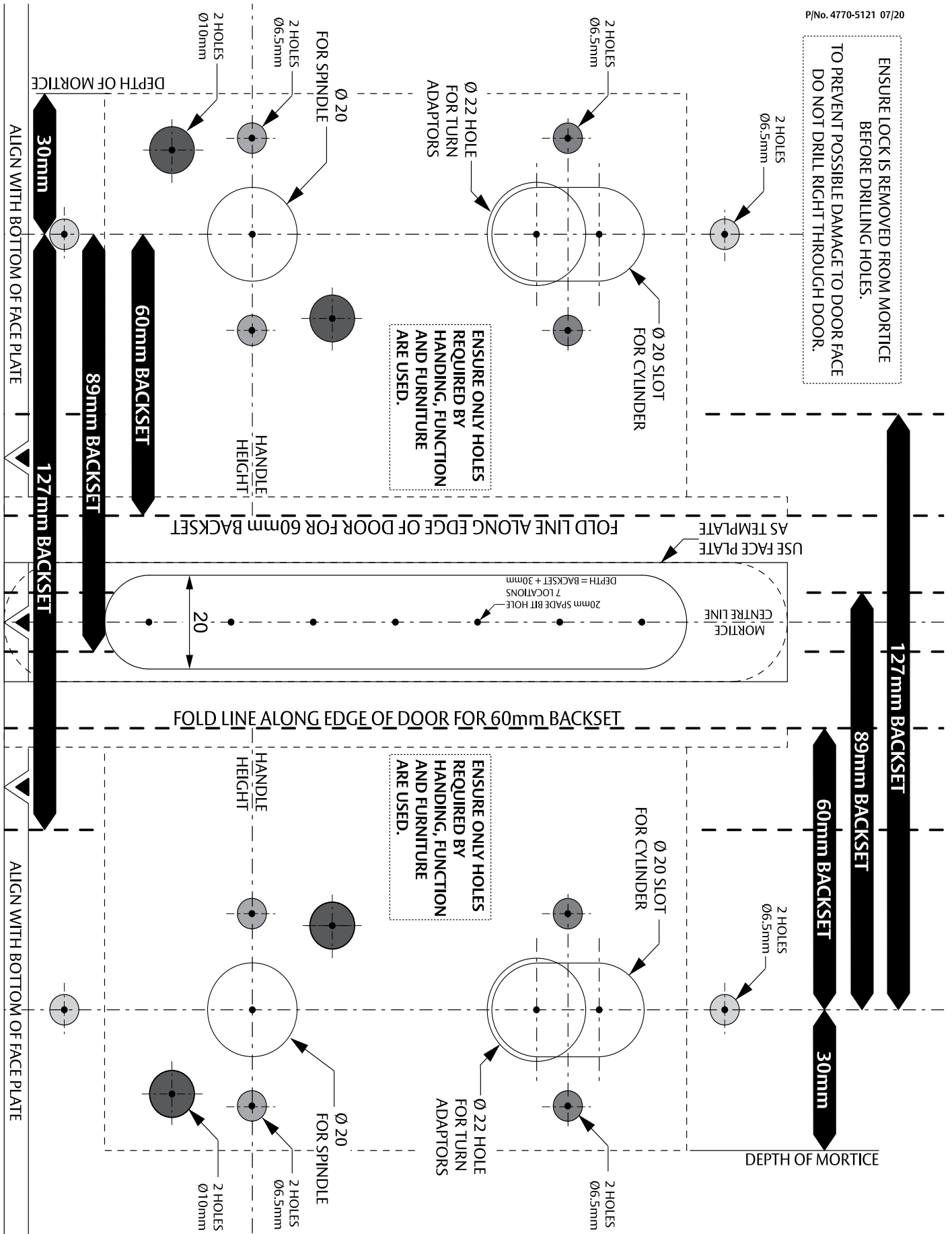
- Mark position of strike on door frame.
- Use strike and strike box as templates and then mortice door frame for strike.
- Install strike and strike box with mounting screws supplied.
 - Timber frames - drill 2.5mm pilot holes and use 30mm long screws
 - Metal frames - drill 4mm pilot holes and use 12mm long screws



3770 Series MkII Mortice Lock

MOUNTING INSTRUCTIONS FOR TIMBER DOORS

P/No. 4770-5121 07/20



TEMPLATES ARE INCLUDED FOR INFORMATIVE PURPOSE ONLY. DO NOT SCALE FROM THIS MANUAL. PLEASE USE ORIGINAL TEMPLATES PROVIDED WITH THE PRODUCT.

3770 SERIES MKII MORTICE LOCK

MOUNTING INSTRUCTIONS FOR ALUMINIUM DOORS

P/No. 3770AF-121 01/16

THIS INSTRUCTION COVERS ALUMINIUM DOOR PREPARATION AND SECURING THE LOCK INTO THE ALUMINIUM SECTION. FOR HOLE LOCATIONS, CYLINDER AND ADAPTOR INSTALLATION INSTRUCTIONS AND FUNCTION SETTING INSTRUCTIONS - REFER TO INSTRUCTIONS SUPPLIED WITH THE LOCK.



1 DOOR PREPARATION

- Note :** Minimum internal section depth required for installation is 86mm.
- Establish height that lock will be on door.
- Cut faceplate window to the dimensions shown. Drill and countersink fixing holes as shown.
- Use instructions and template supplied with lock for cylinder, furniture holes etc.

2 ASSEMBLE FIXING PLATES

- Slide the fixing plates behind the lock front plate and into the slot in the lockcase.
- Press plates into place until the mounting holes align with the front plate holes.

3 LOCK INSTALLATION

- Tilt lock through faceplate window, lift into aluminium section and align screw holes.
- Secure the lock using the supplied 8mm long screws.
- To hand the latch bolt, pull latch bolt forward and rotate to required handing.

4 FACEPLATE INSTALLATION

- Set lock and install cylinders as per standard **MOUNTING INSTRUCTIONS**.
- Fix the faceplate onto lock using the supplied 8mm long screws.

5 STRIKE INSTALLATION

- Cut strike cutout to the dimensions shown.
- Fit strike box using supplied 8mm long screws.
- Fit strike onto strike box using supplied 8mm long screws.

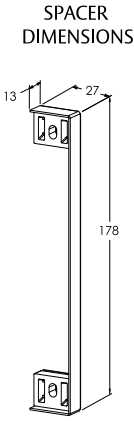
3770 SERIES MORTICE LOCK AND REBATE DOOR KIT

MOUNTING INSTRUCTIONS FOR REBATED TIMBER DOORS

P/No. 3770RK-121 01/16

THIS INSTRUCTION COVERS REBATED DOOR PREPARATION AND SECURING THE LOCK INTO THE REBATED DOOR. FOR HOLE LOCATIONS, CYLINDER AND ADAPTOR INSTALLATION INSTRUCTIONS AND FUNCTION SETTING INSTRUCTIONS - REFER TO THE INSTRUCTIONS SUPPLIED WITH THE LOCK.

1 DOOR PREPARATION - LOCK SIDE



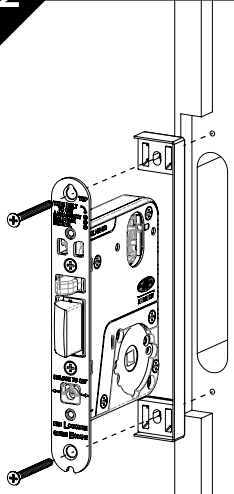
SPACER DIMENSIONS

- Set lock and install cylinders as per standard **MOUNTING INSTRUCTIONS**.
- Use spacer as template to mark required cutout in the rebate.
- Cut recess allowing front of spacer to be flush with front of rebate, cut lock mortice and furniture holes as required.

Viewed from this direction

STRIKE SIDE LOCK SIDE

2 LOCK INSTALLATION

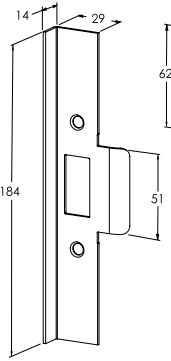


- Fit lock onto spacer and place into mortice.
- Drill 2.5mm pilot holes and secure the lock using the supplied 45mm long screws.

Viewed from this direction

STRIKE SIDE LOCK SIDE

3 PREPARATION - STRIKE SIDE



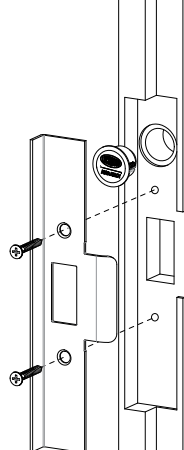
STRIKE DIMENSIONS

- Use strike as a template to mark required cutout onto the door.
- Mortise door frame to allow strike to sit flush with lower face.
- Mortise recess for latch bolt 15mm deep.
- For electric mortice lock magnets, drill $\varnothing 25 \times 2\text{mm}$ deep and $\varnothing 19 \times 20\text{mm}$ deep as shown.

Viewed from this direction

STRIKE SIDE LOCK SIDE

4 STRIKE INSTALLATION



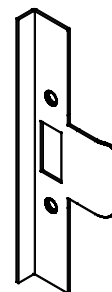


- For electric mortice locks, insert magnet in hole.
- Drill 2.5mm pilot holes and secure the strike plate using the supplied 30mm long screws.

Viewed from this direction

STRIKE SIDE LOCK SIDE

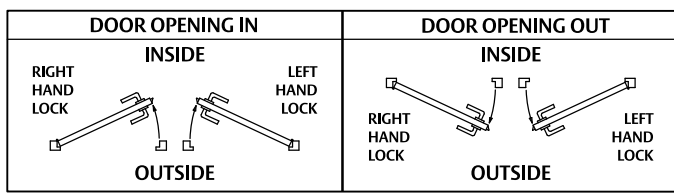
STRIKE OPTIONS FOR REBATE KITS

<p>3571-2902</p>  <p>Lipless strike</p>	<p>3772-RK32</p>  <p>32mm lip strike</p>	<p>3772-RK46</p>  <p>46mm lip strike</p>
--	---	---



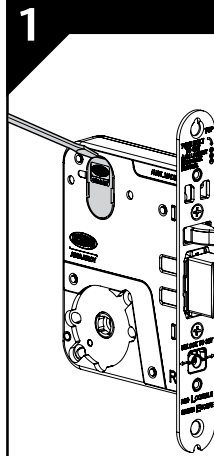
3772 MORTICE LOCK AND DX DIGITAL KIT MOUNTING INSTRUCTIONS FOR TIMBER DOORS

HAND OF DOOR ACCORDING TO ENGLISH PRACTICE



- Determine hand of lock required from chart above.
- Ensure only holes required by handing, function and furniture are cut into door.
- Disregard instructions referring to features not required.
- The lock is supplied in passage mode. The hold back and anti-lockout functions are de-activated.

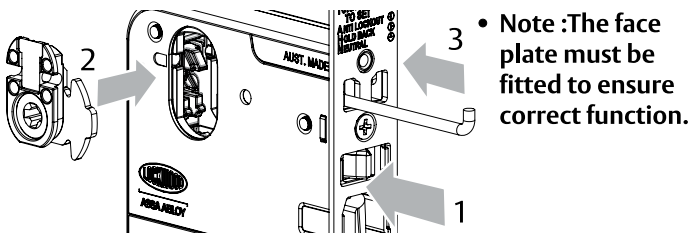
LOCK SETTING



- Where cylinders or turn knobs are required, remove the cylinder plugs from the lock using a small screwdriver.
- Set the required lock function as per **SETTING AND OPERATING INSTRUCTIONS** and the **FUNCTION CHART** on the reverse of this instruction.
- For holdback DX digital installations, refer to standard **MOUNTING INSTRUCTIONS** for cylinder installation instructions.

2 LATCHING ADAPTOR INSTALLATION

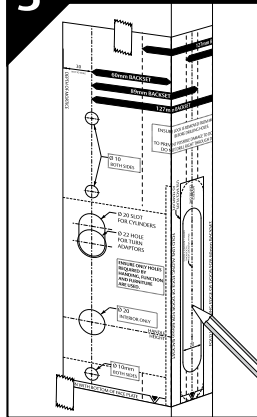
- Selector Series II mortice lock must use gold coloured latching adaptor.
- Depress the latch bolt, fit the latching adaptor.
- Secure by pressing in the cylinder retaining pin.



• Note: The face plate must be fitted to ensure correct function.

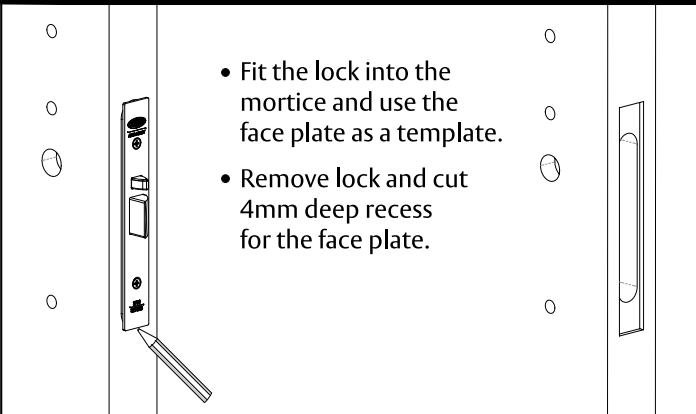
3 DOOR PREPARATION

- Establish height that lock will be on the door.
- Cut mortice in door as per sizes shown on template.
- Drill required furniture and DX code pad holes from both sides of door.



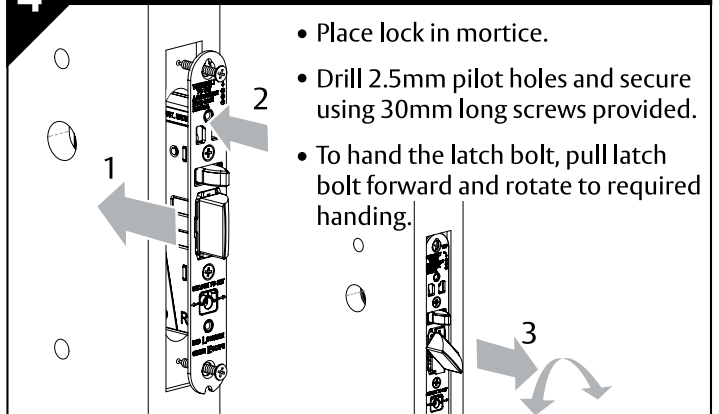
DOOR PREPARATION continued

- Fit the lock into the mortice and use the face plate as a template.
- Remove lock and cut 4mm deep recess for the face plate.



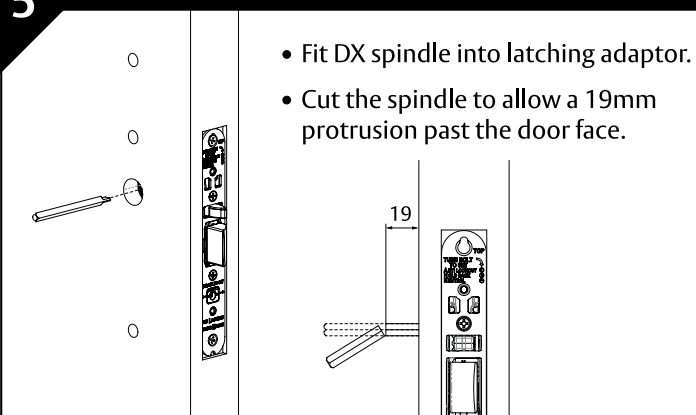
4 LOCK INSTALLATION

- Place lock in mortice.
- Drill 2.5mm pilot holes and secure using 30mm long screws provided.
- To hand the latch bolt, pull latch bolt forward and rotate to required handing.



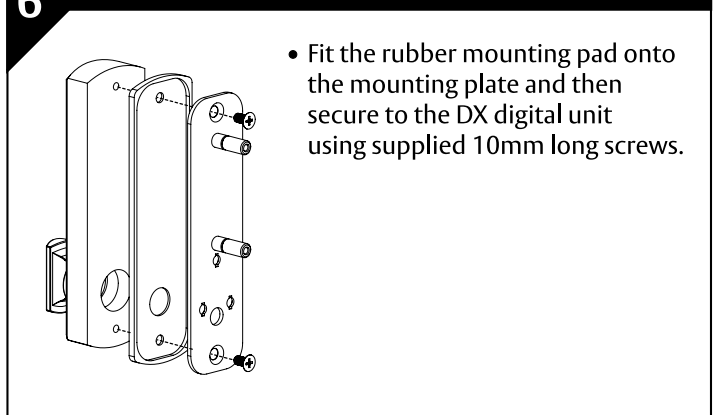
5 SPINDLE PREPARATION

- Fit DX spindle into latching adaptor.
- Cut the spindle to allow a 19mm protrusion past the door face.



6 RUBBER MOUNTING PAD INSTALLATION

- Fit the rubber mounting pad onto the mounting plate and then secure to the DX digital unit using supplied 10mm long screws.



3772 MORTICE LOCK AND DX DIGITAL KIT

MOUNTING INSTRUCTIONS FOR TIMBER DOORS

7 DX DIGITAL AND FURNITURE INSTALLATION

- Cut M4 screws to length.
 - (a) 2 screws @ *door thickness minus 3mm*.
 - (b) 1 screw @ *door thickness plus 10mm*.
- Place the DX digital onto the external side of the door, ensure the spindle is engaged in the DX digital handle.
- Fasten the DX digital using top screw (a) and cup washer.
- Fit the spindle, spring and internal furniture onto the internal side of the door.
- Fasten furniture using top furniture screw (a).
- Place furniture mounting nut on external side and secure with screw (b).
- **Note : The face plate must be fitted to ensure correct function.**

8 FACE PLATE INSTALLATION

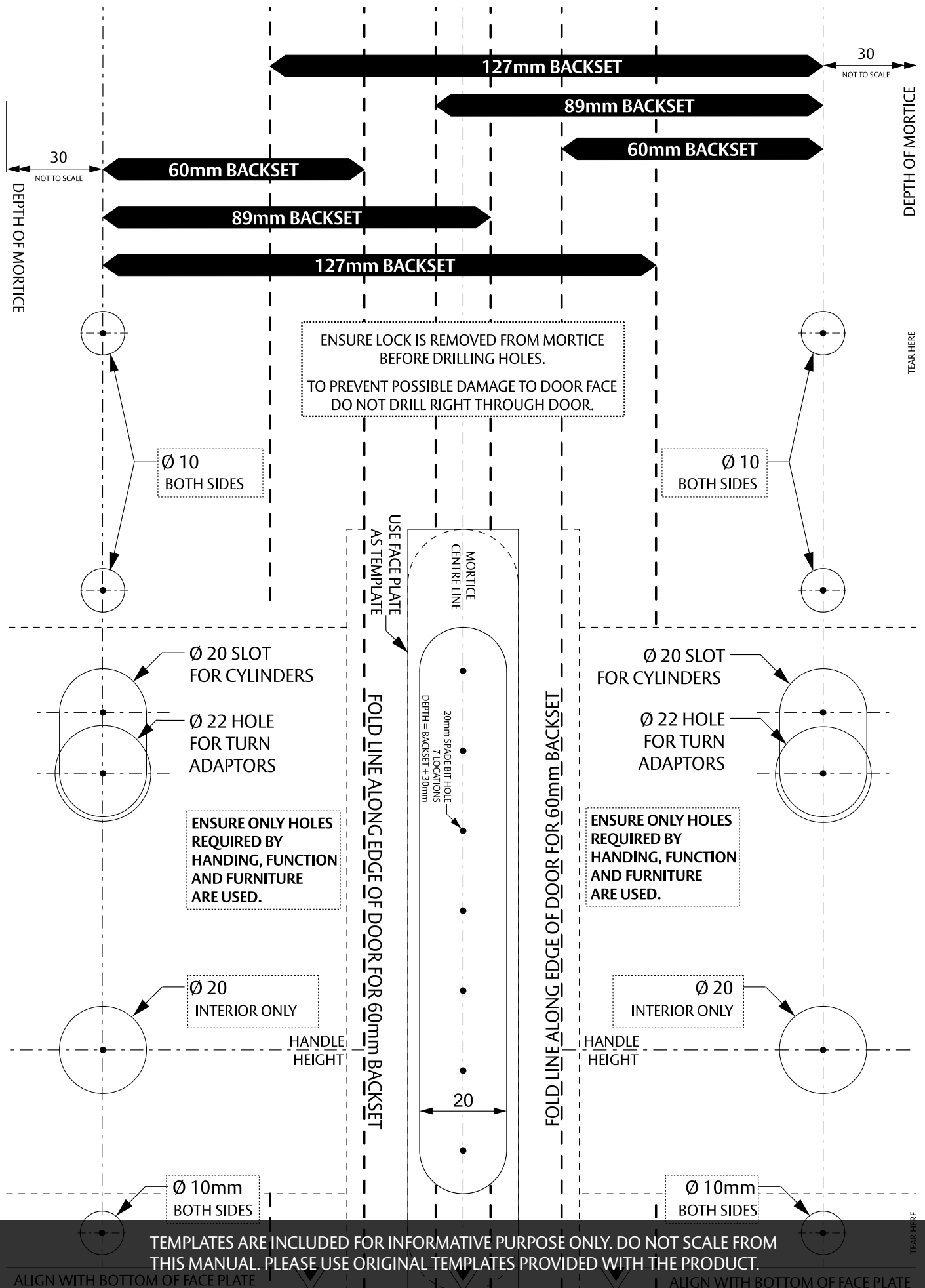
- Fit face plate onto lock using the supplied 8mm long screws.

9 STRIKE INSTALLATION

- Mark position of strike on door frame.
- Use strike and strike box as templates and then mortice door frame for strike.
- Install strike and strike box with mounting screws supplied.
 - Timber frames - Drill 2.5mm pilot holes and secure using 30mm long screws.
 - Metal frames - drill 4mm pilot holes and use 12mm long screws.

3772 MORTICE LOCK AND DX DIGITAL KIT

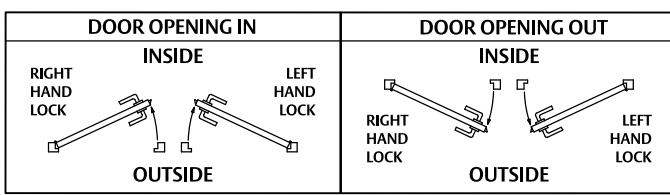
MOUNTING INSTRUCTIONS FOR TIMBER DOORS



3772 MORTICE LOCK AND DX DIGITAL KEY OVERRIDE KIT

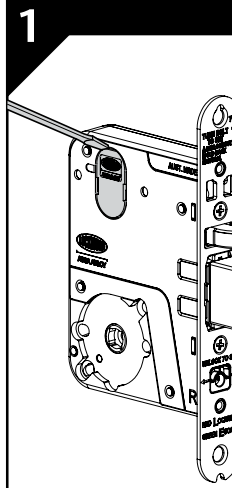
MOUNTING INSTRUCTIONS FOR TIMBER DOORS

HAND OF DOOR ACCORDING TO ENGLISH PRACTICE



- Determine hand of lock required from chart above.
- Ensure only holes required by handing, function and furniture are cut into door.
- Disregard instructions referring to features not required.
- The lock is supplied in passage mode. The hold back and anti-lockout functions are de-activated.

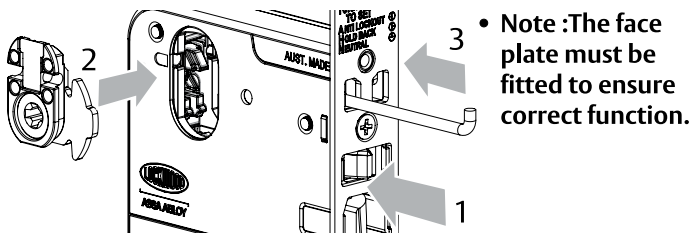
LOCK SETTING



- Where cylinders or turn knobs are required, remove the cylinder plugs from the lock using a small screwdriver.
- Set the required lock function as per **SETTING AND OPERATING INSTRUCTIONS** and the **FUNCTION CHART** on the reverse of this instruction.

2 LATCHING ADAPTOR INSTALLATION

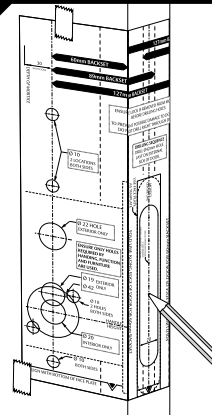
- Selector Series II mortice lock must use gold coloured latching adaptor.
- Depress the latch bolt, fit the latching adaptor.
- Secure by pressing in the cylinder retaining pin.



• Note: The face plate must be fitted to ensure correct function.

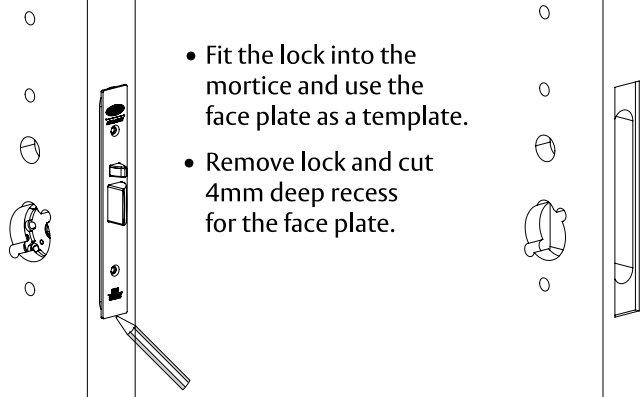
3 DOOR PREPARATION

- Establish height that lock will be on the door.
- Cut mortice in door as per sizes shown on template.
- Starting on the lower cylinder side, drill required furniture and DX code pad holes from both sides of door.



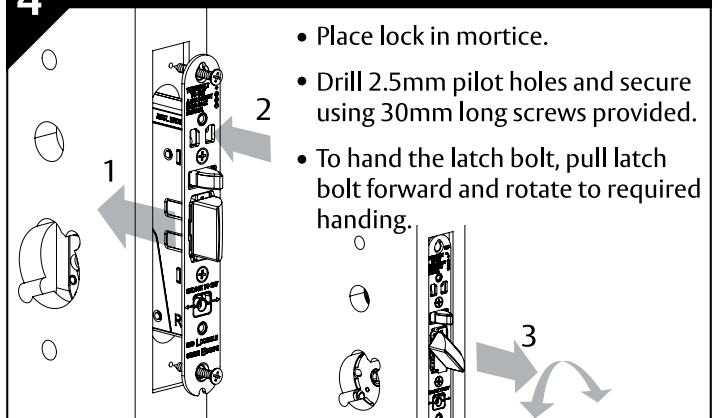
DOOR PREPARATION continued

- Fit the lock into the mortice and use the face plate as a template.
- Remove lock and cut 4mm deep recess for the face plate.



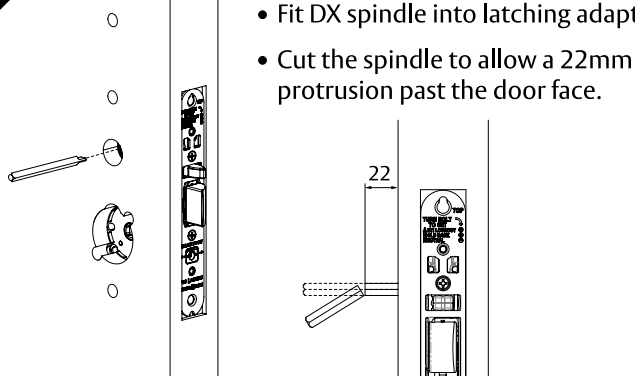
4 LOCK INSTALLATION

- Place lock in mortice.
- Drill 2.5mm pilot holes and secure using 30mm long screws provided.
- To hand the latch bolt, pull latch bolt forward and rotate to required handing.



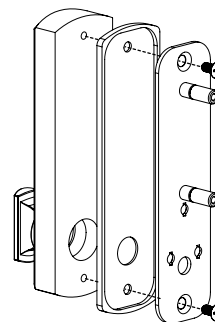
5 SPINDLE PREPARATION

- Fit DX spindle into latching adaptor.
- Cut the spindle to allow a 22mm protrusion past the door face.



6 RUBBER MOUNTING PAD INSTALLATION

- Fit the rubber mounting pad onto the mounting plate and then secure to the DX digital unit using supplied 10mm long screws.



3772 MORTICE LOCK AND DX DIGITAL KEY OVERRIDE KIT MOUNTING INSTRUCTIONS FOR TIMBER DOORS

7 LOWER CYLINDER PREPARATION

- Fit spindle to cylinder using cylinder cam screws.
- Fit cylinder to lower cylinder plate using supplied 8mm long screws.

Note : Lower 'ear' of the lower cylinder plate should point towards the door hinge.

8 LOWER CYLINDER INSTALLATION

- Place lower cylinder assembly into lock and secure with supplied 19mm long screws from opposite side of door.

9 DX DIGITAL AND FURNITURE INSTALLATION

- Cut 3 screws to a length of **door thickness minus 3mm**.
- Fit the spindle, spring and internal furniture onto the internal side of the door.
- Place the black mounting plate onto the external side of the door and secure with the lower furniture screw.
- Place the DX digital onto the external side of the door, ensure the spindle is engaged in the DX digital handle.
- Fasten furniture using top screw.
- Fasten the DX digital using the top screw and cup washer.
- **Note :** The face plate must be fitted to ensure correct function.

10 FACE PLATE INSTALLATION

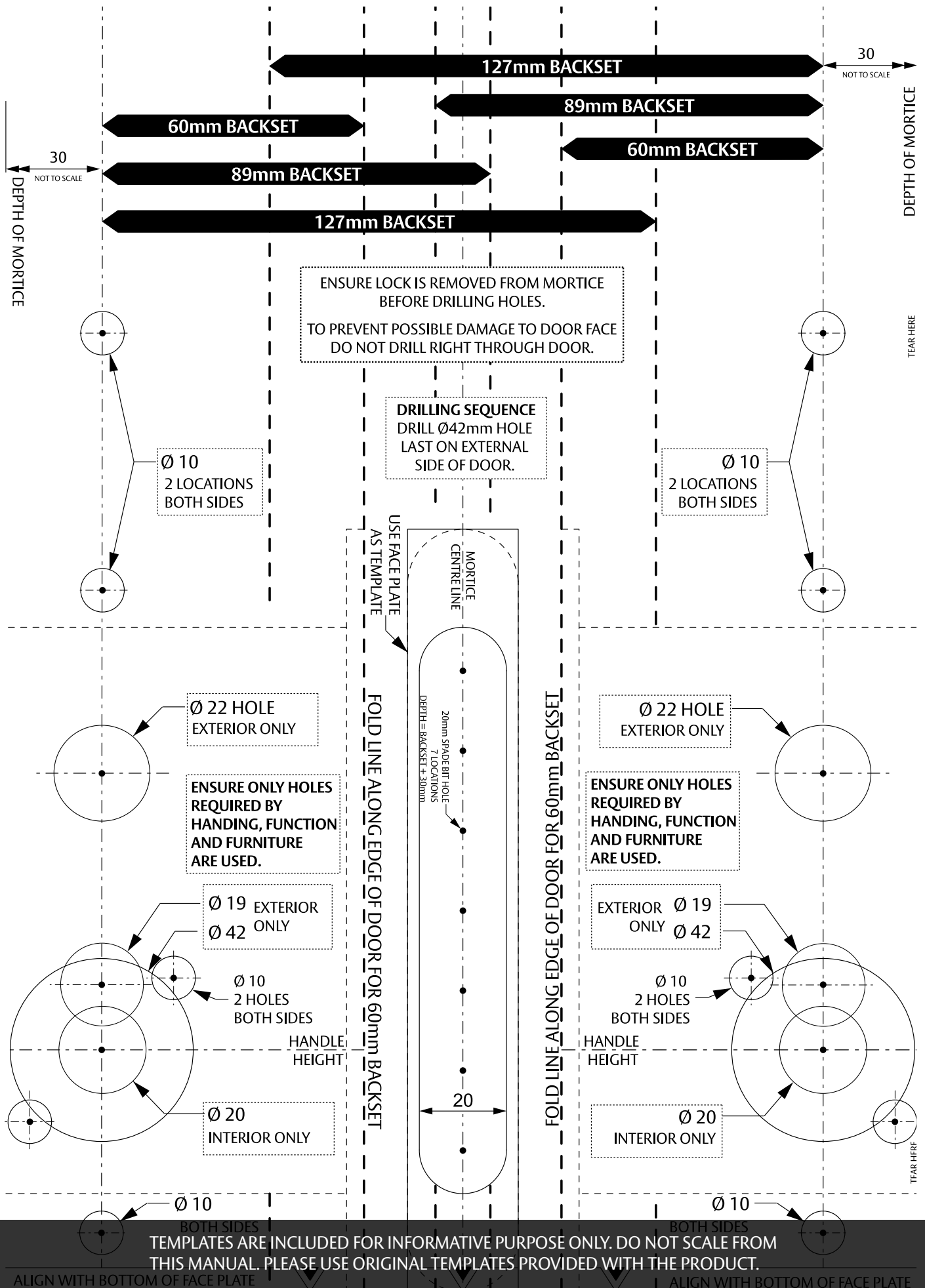
- Fit face plate onto lock using the supplied 8mm long screws.

11 STRIKE INSTALLATION

- Mark position of strike on door frame.
- Use strike and strike box as templates and then mortise door frame for strike.
- Install strike and strike box with mounting screws supplied.
 - Timber frames - Drill 2.5mm pilot holes and secure using 30mm long screws.
 - Metal frames - drill 4mm pilot holes and use 12mm long screws.

3772 MORTICE LOCK AND DX DIGITAL KEY OVERRIDE KIT

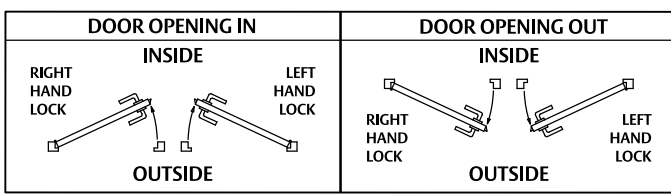
MOUNTING INSTRUCTIONS FOR TIMBER DOORS



3772 MORTICE LOCK AND 3777 DUAL ENTRY KIT MOUNTING INSTRUCTIONS FOR TIMBER DOORS

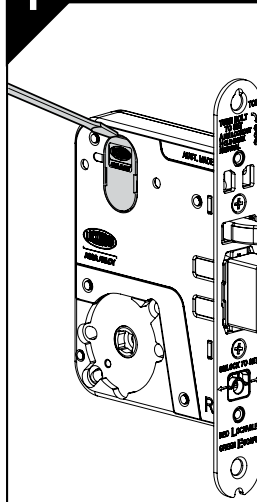
PINo. 3777-5121 08/20

HAND OF DOOR ACCORDING TO ENGLISH PRACTICE



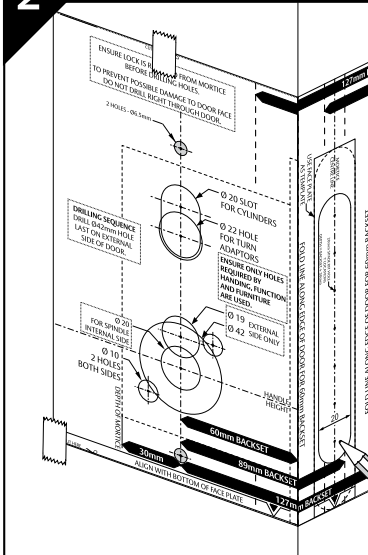
- Determine hand of lock required from chart above.
- Ensure only holes required by handing, function and furniture are cut into door.
- Disregard instructions referring to features not required.
- The lock is supplied in passage mode. The hold back and anti-lockout functions are de-activated.

1 LOCK SETTING

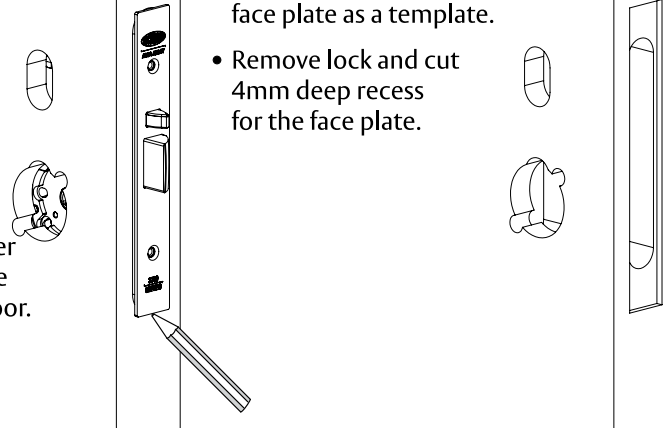


- Where cylinders or turn knobs are required, remove the cylinder plugs from the lock using a small screwdriver.
- Set the required lock function as per **SETTING AND OPERATING INSTRUCTIONS** and the **FUNCTION CHART** on the reverse of this instruction.
- Where required, refer to standard **MOUNTING INSTRUCTIONS** for cylinder or adaptor installation instructions.

2 DOOR PREPARATION

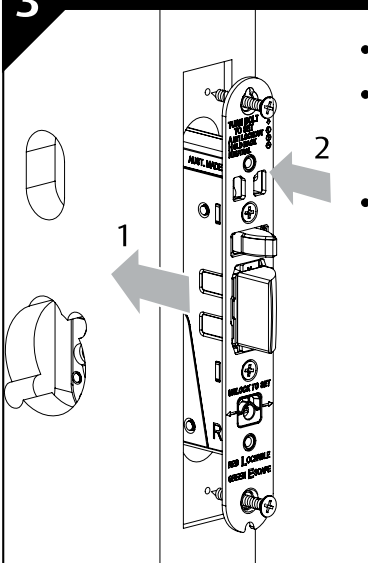


- Establish height that lock will be on the door.
- Cut mortice in door as per sizes shown on template.
- Determine what lever, cylinder or turn knob holes are required.
- Starting on the dual cylinder side, drill required furniture holes from both sides of door.



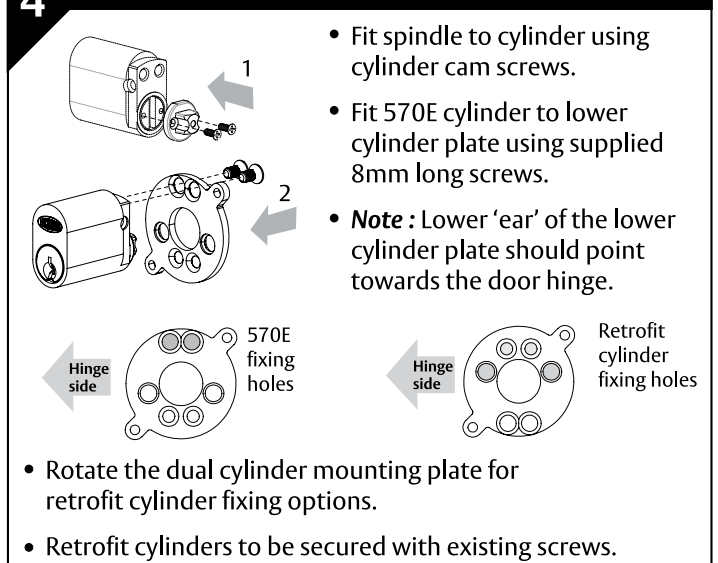
- Fit the lock into the mortice and use the face plate as a template.
- Remove lock and cut 4mm deep recess for the face plate.

3 LOCK INSTALLATION



- Place lock in mortice.
- Drill 2.5mm pilot holes and secure using 30mm long screws provided.
- To hand the latch bolt, pull latch bolt forward and rotate to required handing.

4 LOWER CYLINDER PREPARATION



- Fit spindle to cylinder using cylinder cam screws.
- Fit 570E cylinder to lower cylinder plate using supplied 8mm long screws.
- **Note** : Lower 'ear' of the lower cylinder plate should point towards the door hinge.
- Rotate the dual cylinder mounting plate for retrofit cylinder fixing options.
- Retrofit cylinders to be secured with existing screws.

3772 MORTICE LOCK AND 3777 DUAL ENTRY KIT MOUNTING INSTRUCTIONS FOR TIMBER DOORS

5 CYLINDER INSTALLATION

- Place the upper cylinder into the lock and secure by pressing in the cylinder retaining pin, ensuring the pin is flush with the front plate.
- Place lower cylinder assembly into lock and secure with supplied 19mm long screws from opposite side of door.

6 FACE PLATE INSTALLATION

- Fit face plate onto lock using the supplied 8mm long screws.

7 SPINDLE INSTALLATION

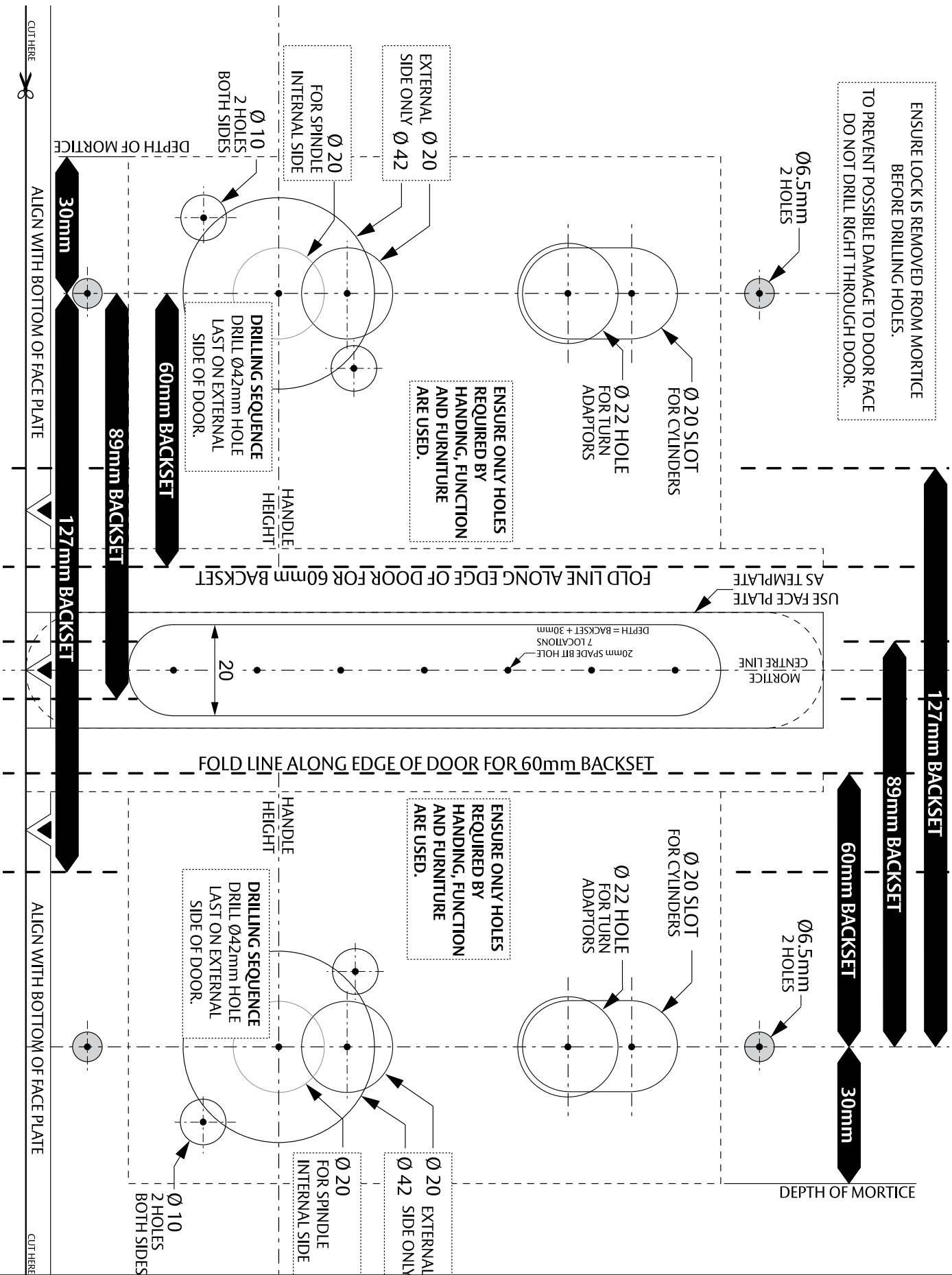
- On the internal side of the door, fit spring to spindle and then fit into lock hub.
- Install furniture according to instructions.

8 STRIKE INSTALLATION

- Mark position of strike on door frame.
- Use strike and strike box as templates and then mortise door frame for strike.
- Install strike and strike box with mounting screws supplied.
 - Timber frames - drill 2.5mm pilot holes and use 30mm long screws.
 - Metal frames - drill 4mm pilot holes and use 12mm long screws.

3772 MORTICE LOCK AND 3777 DUAL ENTRY KIT

MOUNTING INSTRUCTIONS FOR TIMBER DOORS



TEMPLATES ARE INCLUDED FOR INFORMATIVE PURPOSE ONLY. DO NOT SCALE FROM THIS MANUAL. PLEASE USE ORIGINAL TEMPLATES PROVIDED WITH THE PRODUCT.



ASSA ABLOY

Lockwood is the leading brand in the Australian locking industry. With an established reputation for high quality products, this iconic brand provides a wide range of locking solutions to residential housing, commercial building and industrial application markets. Lockwood is supported by an extensive distribution and after-sales support network. Our customers include retailers, architects, trade and industrial personnel, locksmiths and security dealers.

ASSA ABLOY

ASSA ABLOY is the global leader in door opening solutions, dedicated to satisfying end-user needs for security, safety and convenience.

ASSA ABLOY is represented in all major regions, in both mature and emerging markets, with leading positions in Australia, Europe and North America.

As the world's leading lock group, ASSA ABLOY offers a more complete product range of door opening solutions than any other company in the market.

ASSA ABLOY Australia Pty Ltd
235 Huntingdale Road
Oakleigh, Victoria, 3166
Australia

1300 LOCK UP (1300 562 587)
lockweb.com.au

ASSA ABLOY New Zealand Ltd
6 Armstrong Road
Albany, North Shore City, 0632
New Zealand

info.nz@assaabloy.com
Telephone +64 9415 7111
assaabloy.co.nz

Disclaimer

Whilst every effort has been made to ensure that the information (including product images and drawings) contained in this brochure is accurate at the time of publication, ASSA ABLOY Australia Pty Limited ("ASSA ABLOY") recommends that you consult ASSA ABLOY or its agents prior to placing an order to ascertain current information on specific products, as ASSA ABLOY reserves the right to make changes without notice. ASSA ABLOY will not be liable for any injury, loss or damage whatsoever, arising from any errors or omissions in the information contained in the brochure or arising from the use or application of the information contained herein. © 2020 copyright by ASSA ABLOY All rights reserved



MCI 1567