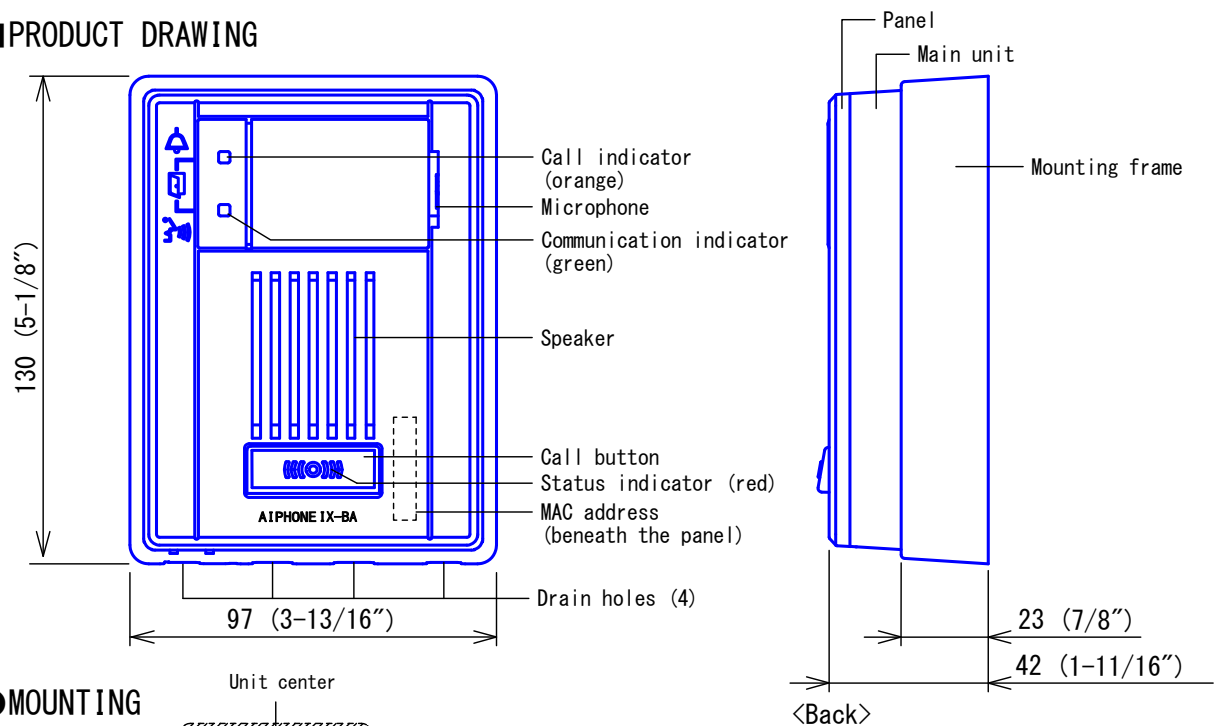
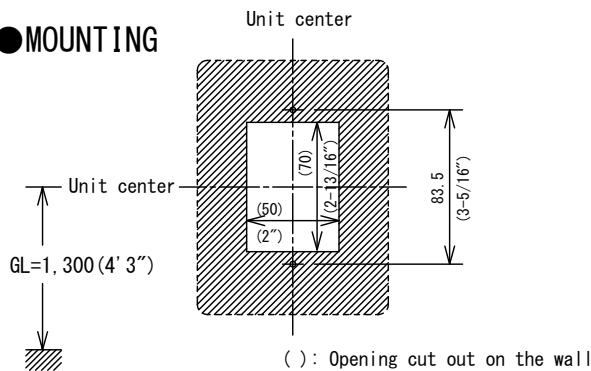


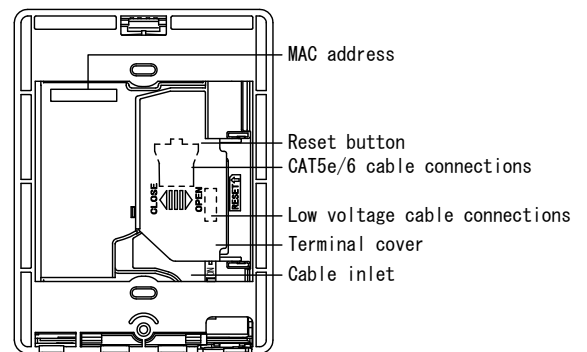
PRODUCT DRAWING



MOUNTING



<Back>



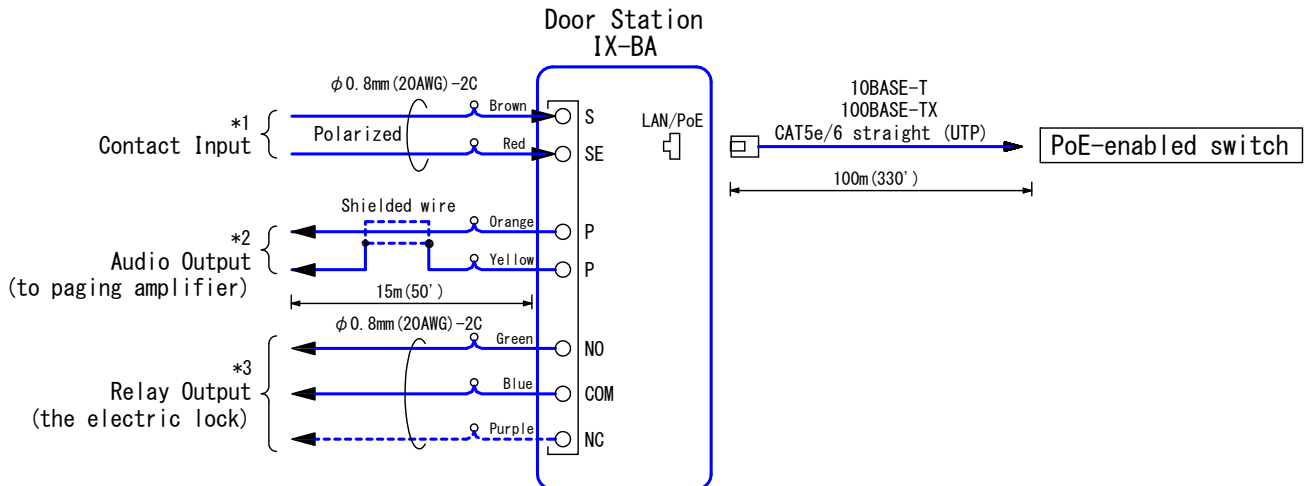
SPECIFICATIONS

Power source	Power-over-Ethernet (IEEE 802.3af Class 0)
Consumption current	Standby 35mA, maximum 70mA
Communication	Hands-free
LAN	Ethernet (10BASE-T, 100BASE-TX)
Audio codec	G. 711
Protocol	IPv4, IPv6, TCP, UDP, SIP, HTTP, HTTPS, RTSP, RTP, RTCP, IGMP, MLD, SMTP, FTP, DHCP, NTP, DNS
Encryption method	SSL3.0, TLS1.0, TLS1.1, TLS1.2
Packet delivery	Unicast
Number of called stations	20 stations (only Master Stations can be registered)
Operating temperature	-10 ° C to +60 ° C (+14 ° F to +140 ° F)
Mounting	Wall-mount
Electrical box	Single-gang box
Materials	Fire-retardant ABS plastic
Color	Hardware: flat black, Panel: silver
Weight	Approx. 270 g (0.60 lbs.)
IP rating	IP54
IK rating	IK07

DESCRIPTION	FIG. NAME	UNIT	DATE
DOOR STATION	PRODUCT/SPECIFICATIONS	mm	17 December, 2014
MODEL NO.	FIG. NO.	PAGE	REVISION
IX-BA	59789-1-8	1/8	1

AIPHONE

■ WIRING DIAGRAM



*1. Contact Input Specifications

Input method	Form C dry contact (N/O or N/C)
	Level detection method
Fixed detection time	200 msec or more
Contact resistance	Maximum closure resistance: 700 Ω or less Minimum open resistance: 3 k Ω or more
Terminal short-circuit current	10 mA or less
Voltage between the terminals	DC 5V or less (between open terminals)

*2. Audio Output Specifications

Output impedance	600 Ω
Output audio level	300 mVrms (600 Ω when terminated)

*3. Relay Output Specifications

Output method	Form C dry contact (N/O or N/C)
Voltage between the terminals	AC 24V, 0.5A (resistive load) DC 24V, 0.5A (resistive load) Minimum load (AC/DC): 100 mV, 0.1 mA

■ RESTRICTIONS

- A PoE-compatible switch must be used as the switch (hub) for station connection.
- A computer is required to make system settings.
IX system can be configured in one of the two methods, "IX Support Tool" application or Web browser. Once the system has been configured through a browser, the settings cannot be transferred to IX Support Tool. The IX Support Tool is recommended to manage settings.
- Do not cover the water escape holes with caulking seals.
- IX-BA door station is exclusively used with IX Series Master stations.
- While updating the System settings, stations unavailable.

■ RESTRICTIONS ABOUT THE NETWORK

- Connection cannot be made over the Internet (global IP network).
- We do not recommend using a wireless LAN as it may not operate correctly due to security issues or communication speed delays.
- The procedures used for making network settings differ depending on the availability of automatic IP address assignment through DHCP or stateless automatic setup.
- For IPv4 Address with DHCP, due to the architecture of the IX system, DHCP configuration is only recommended for network environments utilizing managed (static) IP address leasing.
- For stateless IPv6 Address, do not change the prefix of the device so that it cannot transmit Router Advertisement (RA).
- For IPv6 Address with DHCP, due to the architecture of the IX system, DHCP configuration is only recommended for network environments utilizing managed (static) IP address leasing.
The DUID of the device: 00030001 + MAC address

DESCRIPTION DOOR STATION	FIG. NAME WIRING/RESTRICTIONS	UNIT mm	DATE 17 December, 2014
MODEL NO. IX-BA	FIG. NO. 59789-2-8	PAGE 2/8	REVISION 1 AIPHONE

- Depending on the network environment and computer, prior arrangements and setup operations involving the network administrator might be necessary.
- Download the Settings data and store it at a safe location. Otherwise, it may become impossible to restore the settings after fixing a failure.
Make sure not to use duplicate file names when saving data.
- Depending on the network environment, operation delay might occur.
- Some time might be required for paging over a network.
- Depending on the network environment or other factors, audio or video dropout, delays, lower frame rates, or other loss of correct operation might occur.
- The protocols used by this system must be supported.
IPv4, IPv6, TCP, UDP, SIP, HTTP, HTTPS, RTSP, RTP, RTCP, IGMP, MLD, SMTP, FTP, DHCP, NTP, DNS
- The network bands used by each device are as follows.
G.711 : 64kbps x 2(in communication), 64kbps x stations(on page)
- IPv4 and IPv6 cannot be mixed in the same system.
- When using multicasting for web-setup network-camera searches, video, or audio, use in an environment that does not reject IGMPv3 or MLDv2.

■ FUNCTIONS

- Calling
Group Call: Make an outgoing call to all stations that belong to the selected group.
Contact input call: Make an outgoing call to all stations that belong to the selected group by Contact input.
- Paging
Receive a page
- Others
Send e-mails: An e-mail can be sent to pre-registered e-mail addresses when triggering event occurs.
- Indicators

Name	Status	Description
Status indicator	Red flashing	Booting
		Device error
		Communication failure
		Firmware version upgrading
		Initializing
		Calling destination busy
	Red light	Standby
Call indicator	Orange flashing	Outgoing calling
Communication indicator	Green light	In communication
Call indicator +	Orange flashing +	Door releasing
Communication indicator	Green flashing	

DESCRIPTION DOOR STATION	FIG. NAME RESTRICTIONS/FUNCTIONS	UNIT mm	DATE 17 December, 2014
MODEL NO. IX-BA	FIG. NO. 59789-3-8	PAGE 3/8	REVISION 1
			AIPHONE

SETTING

- WEB setting (on the computer)

Connect to the same network as the device and manage the settings from PC web browser. The PC should meet the following requirements to be capable of configuring the system.

Network	Ethernet (10 BASE-T, 100 BASE-TX)
Web browser	Internet Explorer 7.0, 8.0, 9.0 or 10.0 (SSL 3.0 or TLS 1.0 or later)

A: administrator and U: user

Entry	Settings	Default values	Access Level	
			A	U
Station Information				
Identification				
Number	3-5 digits	—	<input type="radio"/>	<input type="checkbox"/>
Name	1-24 alphanumeric characters	—	<input type="radio"/>	<input type="checkbox"/>
Location	1-24 alphanumeric characters	—	<input type="radio"/>	<input type="checkbox"/>
ID and Password				
Administrator ID	1-32 alphanumeric characters	admin	<input type="radio"/>	<input type="checkbox"/>
Administrator Password	1-32 alphanumeric characters	admin	<input type="radio"/>	<input type="checkbox"/>
User ID	1-32 alphanumeric characters	user	<input type="radio"/>	<input type="radio"/>
User Password	1-32 alphanumeric characters	user	<input type="radio"/>	<input type="radio"/>
Language				
Language	Japanese/English/French/Spanish/Dutch/Traditional Chinese/Simplified Chinese	English	<input type="radio"/>	<input type="radio"/>
Time				
Time Zone				
Select time zone	Select from 99 regions	(GMT-08:00) Pacific Standard Time (U.S.), Tijuana	<input type="radio"/>	<input type="radio"/>
Daylight Savings Time				
Enable automatic daylight savings time	Yes/No	No	<input type="radio"/>	<input type="radio"/>
NTP				
Enable NTP	Yes/No	No	<input type="radio"/>	<input type="radio"/>
Date and Time				
Time	2012/1/1/00:00:00 - 2037/12/31/23:59:59	2013/1/1/00:00:00	<input type="radio"/>	<input type="radio"/>
Network Settings				
IP Address				
IP addressing method	IPv4: Static/DHCP IPv6: Static/Stateless/DHCPv6	IPv4 Static	<input type="radio"/>	<input type="checkbox"/>
IPv4 Address				
IP Address	1.0.0.0-223.255.255.255	—	<input type="radio"/>	<input type="checkbox"/>
Subnet Mask	128.0.0.0-255.255.255.255	—	<input type="radio"/>	<input type="checkbox"/>
Default Gateway	1.0.0.0-223.255.255.255	—	<input type="radio"/>	<input type="checkbox"/>
IPv6 Address				
IP Address	2000::0-3FFF:FFFF:FFFF:FFFF:FFFF:FFFF:FFFF:FFFF or FD00::0-FDFF:FFFF:FFFF:FFFF:FFFF:FFFF:FFFF:FFFF	—	<input type="radio"/>	<input type="checkbox"/>
Default Gateway	::FF:0-FE:FFFF:FFFF:FFFF:FFFF:FFFF:FFFF:FFFF	—	<input type="radio"/>	<input type="checkbox"/>
DNS				
Primary Server	IPv4: 1.0.0.0-223.255.255.255 IPv6: ::FF:0-FE:FFFF:FFFF:FFFF:FFFF:FFFF:FFFF:FFFF	—	<input type="radio"/>	<input type="checkbox"/>
Secondary Server	IPv4: 1.0.0.0-223.255.255.255 IPv6: ::FF:0-FE:FFFF:FFFF:FFFF:FFFF:FFFF:FFFF:FFFF	—	<input type="radio"/>	<input type="checkbox"/>
SIP				
Connection				
SIP Signaling Port	1-65535	5060	<input type="radio"/>	<input type="checkbox"/>
Miscellaneous				
Call health check timer [sec]	Do not transmit re-INVITE/80-3600 sec	80-3600 sec, 90 sec	<input type="radio"/>	<input type="checkbox"/>

DESCRIPTION DOOR STATION	FIG. NAME SETTING	UNIT mm	DATE 17 December, 2014
MODEL NO. IX-BA	FIG. NO. 59789-4-8	PAGE 4/8	REVISION 1
			AIPHONE

A: administrator and U: user

Entry	Settings	Default values	Access Level	
			A	U
Network Settings				
Audio				
Audio CODEC	G. 711 (μ -law)/G. 711 (A-law)	G. 711 (μ -law)	<input type="radio"/>	<input type="checkbox"/>
Audio RTP Transmission Interval [msec]	20, 40, 60, 80, 100 msec	20 msec	<input type="radio"/>	<input type="checkbox"/>
RTP Idle Detection Time [sec]	10-180 sec (by 1 sec)	10 sec	<input type="radio"/>	<input type="checkbox"/>
Audio 1 RTP Start Port	1-65534	20000	<input type="radio"/>	<input type="checkbox"/>
Audio 1 RTP End Port	1-65535	21000	<input type="radio"/>	<input type="checkbox"/>
Audio 2 RTP Start Port	1-65534	22000	<input type="radio"/>	<input type="checkbox"/>
Audio 2 RTP End Port	1-65535	23000	<input type="radio"/>	<input type="checkbox"/>
Audio Buffer				
Packets Buffered at Audio Start	0-4	1	<input type="radio"/>	<input type="checkbox"/>
Maximum Packets Buffered	2-10	3	<input type="radio"/>	<input type="checkbox"/>
Packet Priority				
TOS Value (Audio)	0x00-0xFF	0x00	<input type="radio"/>	<input type="checkbox"/>
TOS Value (SIP)	0x00-0xFF	0x00	<input type="radio"/>	<input type="checkbox"/>
VLAN Setting	Disable/Enable	Disable	<input type="radio"/>	<input type="checkbox"/>
VLAN ID	1-4094	1	<input type="radio"/>	<input type="checkbox"/>
VLAN Priority	0 (Low)-7 (High)	0	<input type="radio"/>	<input type="checkbox"/>
NTP				
Primary Server				
Address	IPv4: 1.0.0.0-223.255.255.255 or Hostname (1-64 alphanumeric characters) IPv6: ::FF:0-FE:FF:FFFF:FFFF:FFFF:FFFF:FFFF:FFFF or Hostname (1-64 alphanumeric characters)	—	<input type="radio"/>	<input type="checkbox"/>
Port	1-65535	123	<input type="radio"/>	<input type="checkbox"/>
Secondary Server				
Address	IPv4: 1.0.0.0-223.255.255.255 or Hostname (1-64 alphanumeric characters) IPv6: ::FF:0-FE:FF:FFFF:FFFF:FFFF:FFFF:FFFF:FFFF or Hostname (1-64 alphanumeric characters)	—	<input type="radio"/>	<input type="checkbox"/>
Port	1-65535	123	<input type="radio"/>	<input type="checkbox"/>
Synchronization Interval [hour]	1-255 hours (by one hour)	24 hour	<input type="radio"/>	<input type="checkbox"/>
System Information				
Custom Sound Registry (up to 100 files (total length of approximately 200 seconds))				
Browse for .wav file	File format: .wav Audio sample size: 16 bits Audio sample rate: 8 kHz Number of channels: One (monaural)	—	<input type="radio"/>	<input type="radio"/>
Contact/Audio Output Settings				
Contact Input				
Contact Input Specifications				
Type	Make (N/O)/Break (N/C)	Make	<input type="radio"/>	<input type="checkbox"/>
Detection time [msec]	200-2000 msec (by 100 msec)	200 msec	<input type="radio"/>	<input type="checkbox"/>
Usage	Blank/Call	Blank	<input type="radio"/>	<input type="checkbox"/>
Output Specifications				
Relay Output Specifications				
Output Time [msec/sec]	0 (Momentary)/200-2000 msec (by 200 msec)/ 3-300 sec (by 1 sec)	200-2000 msec, 400 msec	<input type="radio"/>	<input type="checkbox"/>
Usage	Blank/Door Release/Paging Control/ Contact Input Call-Communication State	Blank	<input type="radio"/>	<input type="checkbox"/>
Audio Output Specifications				
Audio Output	Built-in Speaker for communication and paging/ Audio Output for communication and paging/Built-in Speaker for communication, Audio Output for paging	Built-in Speaker for communication and paging	<input type="radio"/>	<input type="checkbox"/>

DESCRIPTION DOOR STATION	FIG. NAME SETTING	UNIT mm	DATE 17 December, 2014
MODEL NO. IX-BA	FIG. NO. 59789-5-8	PAGE 5/8	REVISION 1
			AIPHONE

A: administrator and U: user

Entry	Settings	Default values	Access Level	
			A	U
Call Settings				
Called Stations				
Call Button Assignment (up to 20 Master Stations)				
Number	3-5 digits	—	<input type="radio"/>	<input type="checkbox"/>
IPv4 Address	1. 0. 0. 0-223. 255. 255. 255	—	<input type="radio"/>	<input type="checkbox"/>
IPv6 Address	2000::0-3FFF:FFFF:FFFF:FFFF:FFFF:FFFF:FFFF:FFFF or FD00::0-FDFF:FFFF:FFFF:FFFF:FFFF:FFFF:FFFF:FFFF	—	<input type="radio"/>	<input type="checkbox"/>
Priority Setting				
Priority	Normal/Priority/Urgent	Normal	<input type="radio"/>	<input type="radio"/>
Call Origination				
Call Acknowledged Settings				
Ringback Tone	Call pattern 1/Call pattern 2/Call pattern 3/ Call pattern 4/Call pattern 5/Call pattern 6/ Tremolo sound/Busy tone/On-hold tone/Operation sound/ Error sound/Sound registered in Custom Sound Registry	Call pattern 1	<input type="radio"/>	<input type="radio"/>
Call Timeout [sec]	10-600 sec (by 1 sec)/Infinite	10-600 sec, 60 sec	<input type="radio"/>	<input type="radio"/>
Ringback Tone Count [time(s)]	1-20 times/Infinite	Infinite	<input type="radio"/>	<input type="radio"/>
Busy Tone	Call pattern 1/Call pattern 2/Call pattern 3/ Call pattern 4/Call pattern 5/Call pattern 6/ Tremolo sound/Busy tone/On-hold tone/Operation sound/ Error sound/Sound registered in Custom Sound Registry	Busy tone	<input type="radio"/>	<input type="radio"/>
Error Tone (Call failed)	Call pattern 1/Call pattern 2/Call pattern 3/ Call pattern 4/Call pattern 5/Call pattern 6/ Tremolo sound/Busy tone/On-hold tone/Operation sound/ Error sound/Sound registered in Custom Sound Registry	Error sound	<input type="radio"/>	<input type="radio"/>
Function Settings				
Door Release Settings				
Door Release Tone				
Door Release Operating Tone	None/Call pattern 1/Call pattern 2/Call pattern 3/ Call pattern 4/Call pattern 5/Call pattern 6/ Tremolo sound/Busy tone/On-hold tone/Operation sound/ Error sound/Sound registered in Custom Sound Registry	Operation sound	<input type="radio"/>	<input type="radio"/>
Door Release Authorization				
Authentication Key	1-4 digits	—	<input type="radio"/>	<input type="radio"/>
Door Release Output Settings (same as Contact/Audio Output Settings)				
Output Time [msec/sec]	0 (Momentary)/200-2000 msec (by 200 msec)/ 3-300 sec (by 1 sec)	200-2000 msec, 400 msec	<input type="radio"/>	<input type="checkbox"/>
Usage	Blank/Door Release/Paging Control/ Contact Input Call-Communication State	Blank	<input type="radio"/>	<input type="checkbox"/>
Contact Input Call				
Door Station Call Groups (Up to nine groups. Up to 20 Master Stations per one group.)				
Station Number	3-5 digits	—	<input type="radio"/>	<input type="checkbox"/>
IPv4 Address	1. 0. 0. 0-223. 255. 255. 255	—	<input type="radio"/>	<input type="checkbox"/>
IPv6 Address	2000::0-3FFF:FFFF:FFFF:FFFF:FFFF:FFFF:FFFF:FFFF or FD00::0-FDFF:FFFF:FFFF:FFFF:FFFF:FFFF:FFFF:FFFF	—	<input type="radio"/>	<input type="checkbox"/>
Door Station Call Group Assignment				
Group Number	01-09	—	<input type="radio"/>	<input type="radio"/>
Priority	Normal/Priority/Urgent	Normal	<input type="radio"/>	<input type="radio"/>
Call Acknowledged Settings				
Ringback Tone	Call pattern 1/Call pattern 2/Call pattern 3/ Call pattern 4/Call pattern 5/Call pattern 6/ Tremolo sound/Busy tone/On-hold tone/Operation sound/ Error sound/Sound registered in Custom Sound Registry	Call pattern 2	<input type="radio"/>	<input type="radio"/>
Call Timeout [sec]	10-600 sec (by 1 sec)/Infinite	10-600 sec, 60 sec	<input type="radio"/>	<input type="radio"/>
Ringback Tone Count [time(s)]	1-20 times/Infinite	Infinite	<input type="radio"/>	<input type="radio"/>

DESCRIPTION DOOR STATION	FIG. NAME SETTING	UNIT mm	DATE 17 December, 2014
MODEL NO. IX-BA	FIG. NO. 59789-6-8	PAGE 6/8	REVISION 1
			AIPHONE

A: administrator and U: user

Entry	Settings	Default values	Access Level		
			A	U	
Function Settings					
Paging Settings					
Paging Pretone Setting					
	Pretone	ON/OFF	ON	<input type="radio"/>	<input type="radio"/>
Paging Output Setting					
	Paging Audio Output (same as Contact/Audio Output Settings)	Built-in Speaker for communication and paging/Audio Output for communication and paging/Built-in Speaker for communication, Audio Output for paging	Built-in Speaker for communication and paging	<input type="radio"/>	
Paging Output Setting					
Paging Audio Output (same as Contact / Audio Output Settings)					
	Paging Audio Output (same as Contact/Audio Output Settings)	Built-in Speaker for communication and paging/Audio Output for communication and paging/Built-in Speaker for communication, Audio Output for paging	Built-in Speaker for communication and paging	<input type="radio"/>	
E-mail Settings					
Server Settings					
	SMTP Server	1-255 alphanumeric characters	—	<input type="radio"/>	
	SMTP Port	1-65535	25	<input type="radio"/>	
	SMTP Encryption	OFF/TLS/STARTTLS	OFF	<input type="radio"/>	
Authentication Settings					
	SMTP Authentication	OFF/ON	OFF	<input type="radio"/>	
	Mode	LOGIN/CRAM-MD5	LOGIN	<input type="radio"/>	
	ID	1-64 alphanumeric characters	—	<input type="radio"/>	
	Password	1-64 alphanumeric characters	—	<input type="radio"/>	
E-mail Addresses					
	Destination 1	1-64 alphanumeric characters	—	<input type="radio"/>	<input type="radio"/>
	Destination 2	1-64 alphanumeric characters	—	<input type="radio"/>	<input type="radio"/>
	Destination 3	1-64 alphanumeric characters	—	<input type="radio"/>	<input type="radio"/>
	Source Address	1-64 alphanumeric characters	—	<input type="radio"/>	
E-mail Event Trigger (Set for each address.)					
	Normal call	Enable/Disable	Disable	<input type="radio"/>	<input type="radio"/>
	Priority call	Enable/Disable	Disable	<input type="radio"/>	<input type="radio"/>
	Urgent call	Enable/Disable	Disable	<input type="radio"/>	<input type="radio"/>
	Call Failed	Enable/Disable	Disable	<input type="radio"/>	<input type="radio"/>
	Error Occurred	Enable/Disable	Disable	<input type="radio"/>	<input type="radio"/>
	Station Restart	Enable/Disable	Disable	<input type="radio"/>	<input type="radio"/>
	Periodic Log Transmission	Enable/Disable	Disable	<input type="radio"/>	<input type="radio"/>
	Periodic Log Transmit Time	From 00:00 to 23:59	00:00	<input type="radio"/>	<input type="radio"/>
	Periodic Log Transmit Interval	Every 1-7 days	1 day	<input type="radio"/>	<input type="radio"/>
E-mail Event Trigger (Subject Text)					
	Normal call	1-64 alphanumeric characters	—	<input type="radio"/>	<input type="radio"/>
	Priority call	1-64 alphanumeric characters	—	<input type="radio"/>	<input type="radio"/>
	Urgent call	1-64 alphanumeric characters	—	<input type="radio"/>	<input type="radio"/>
	Call Failed	1-64 alphanumeric characters	—	<input type="radio"/>	<input type="radio"/>
	Error Occurred	1-64 alphanumeric characters	—	<input type="radio"/>	<input type="radio"/>
	Station Restart	1-64 alphanumeric characters	—	<input type="radio"/>	<input type="radio"/>
	Periodic Log Transmission	1-64 alphanumeric characters	—	<input type="radio"/>	<input type="radio"/>
CGI Integration					
	CGI Functionality	Enable/Disable	Disable	<input type="radio"/>	
SIF					
	SIF Functionality	Enable/Disable	Disable	<input type="radio"/>	
	SIF Communication Settings (sif.ini)	—	—	<input type="radio"/>	
	SIF Parameter Settings (sif_conf.ini)	—	—	<input type="radio"/>	

DESCRIPTION DOOR STATION	FIG. NAME SETTING	UNIT mm	DATE 17 December, 2014
MODEL NO. IX-BA	FIG. NO. 59789-7-8	PAGE 7/8	REVISION 1
			AIPHONE

A: administrator and U: user

Entry	Settings	Default values	Access Level		
			A	U	
Station Hardware Settings					
Volume Settings					
Volume Settings					
	Transmit Volume	1-10	10	<input type="radio"/>	<input type="radio"/>
	Receive Volume	1-10	10	<input type="radio"/>	<input type="radio"/>
	Ringtone volume	0: Mute, 1-10	10	<input type="radio"/>	<input type="radio"/>
Communication Settings					
	Talk Timeout [sec]	30-600 sec (by 1 sec)/Infinity	60 sec	<input type="radio"/>	<input type="radio"/>
Maintenance					
	Firmware Update	-	-	<input type="radio"/>	<input type="radio"/>
	Initialization	-	-	<input type="radio"/>	<input type="radio"/>
	Settings File Management	-	-	<input type="radio"/>	<input type="radio"/>
	System Log	-	-	<input type="radio"/>	<input type="radio"/>

DESCRIPTION DOOR STATION	FIG. NAME SETTING	UNIT mm	DATE 17 December, 2014
MODEL NO. IX-BA	FIG. NO. 59789-8-8	PAGE 8/8	REVISION 1
			AIPHONE