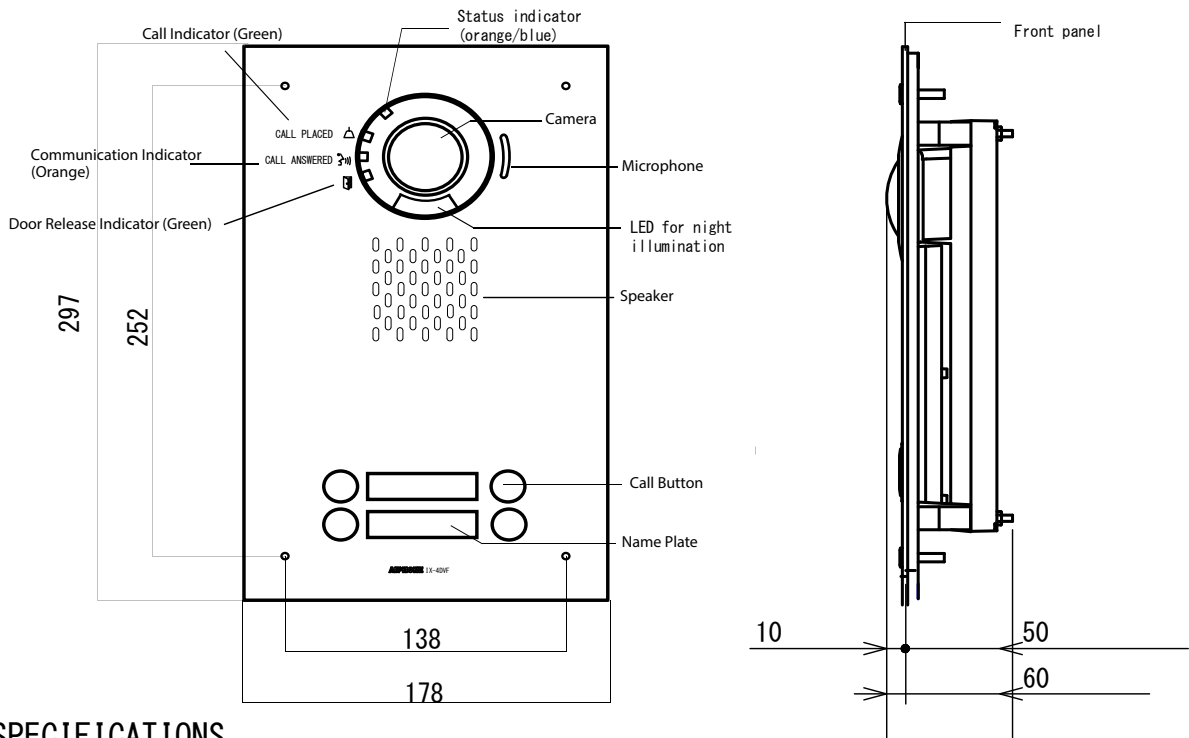


CAUTION: This is a preliminary specification sheet. All information subject to change without notice.

■ PRODUCT DRAWING



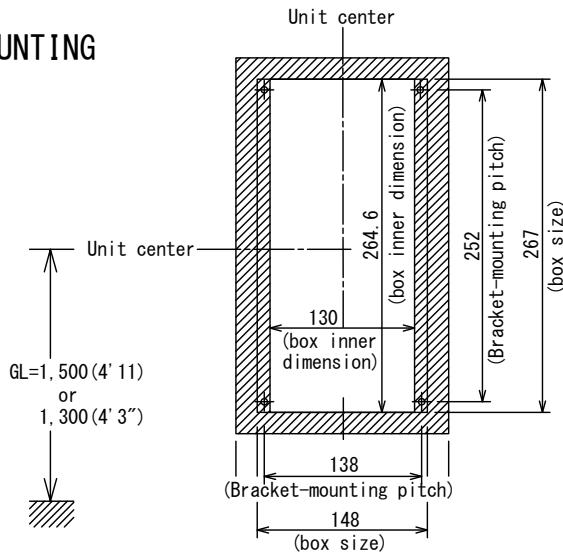
■ SPECIFICATIONS

Power source	Power-over-Ethernet (IEEE 802.3af/at Class 0) / 24V DC External power supply
Current consumption	Power-over-Ethernet Standby: 72mA/Standby with continuous recording: 77mA Maximum: 155mA 24V DC External power supply Standby: 130mA/Standby with continuous recording: 140mA Maximum: 300mA
Type of communication	Hands-free: automatic voice switching
Camera	1/3" color CMOS SXVGA 1280 x 960 (approx. 1,200,000 pixels)
Minimum illumination	5 lux
LAN	Ethernet (10BASE-T, 100BASE-TX), MDI (Auto MDI/MDI-X)
Audio codec	G.711 (μ-law, A-law), G.722
Video codec	H.264/AVC, Motion JPEG
Protocol	IPv4, IPv6, TCP, UDP, SIP, HTTP, HTTPS, RTSP, RTP, RTCP, IGMP, MLD, SMTP, FTP, DHCP, NTP, DNS
Encryption method	TLS1.0, TLS1.1, TLS1.2
Packet delivery	Unicast, Multicast
Number of called stations	20 stations
Ambient temperature	-40~+60°C (-40~+140° F)
Mounting	Flush wall-mount
Material	Front panel: marine grade stainless steel Unit case: self-extinguishing ABS resin
Piezo Button	Aluminium Touch Metal Piezo Switch
Unit color · Finish	Front panel: stainless steel, vertical hair-line processed
Weight	Unit: approx. 1.5 kg
IP rating	IP65
IK rating	IK08
Remarks	ONVIF Profile S support

DESCRIPTION <b>VIDEO DOOR STATION</b>	FIG. NAME <b>PRODUCT/SPECIFICATIONS</b>	UNIT mm	DATE 2 November, 2020
MODEL NO. <b>IX-4DVF</b>	FIG. NO. IX-4DVF-1-3	PAGE 1/3	REVISION 1
			<b>AIPHONE</b>

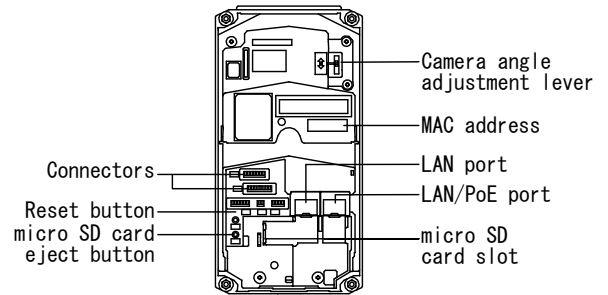
CAUTION: This is a preliminary specification sheet. All information subject to change without notice.

● MOUNTING



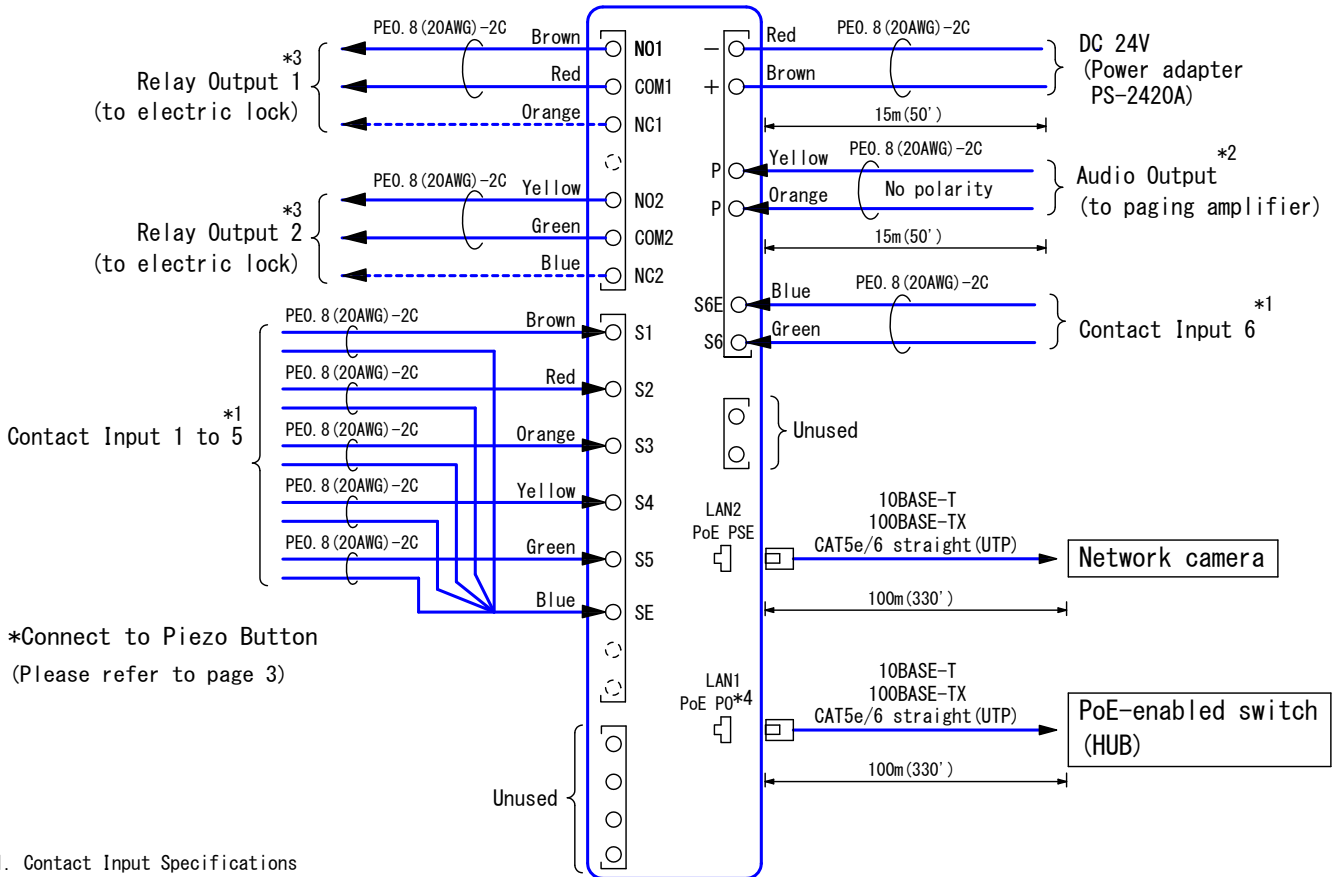
<Back view>

Behind the Terminal cover



■ WIRING DIAGRAM

Video door station IX-4DVF



Input method	Form C dry contact (N/O or N/C)
Detection time	System detecting electromotive signal only 100msec or more
Contact resistance	Make: 700Ω or less Break: 3kΩ or more
Terminal short-circuit current	20mA or less
Voltage between terminals	5V DC or less (when open terminals)
Piezo Button	N. O N. C Momentary 0-24V AC/DC/ 0.2A std (0.5option)

*2. Audio Output Specifications	
Output impedance	600Ω
Output audio level	300 mVrms (with 600Ω terminal)

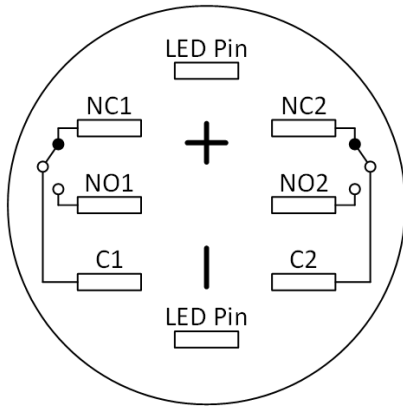
*3. Relay Output Specifications	
Output method	Form C dry contact (N/O or N/C)
Voltage between terminals	24V AC, 1A (resistive load) 24V DC, 1A (resistive load) Minimum overload (AC/DC): 100mV, 0.1mA

DESCRIPTION VIDEO DOOR STATION	FIG. NAME PRODUCT/WIRING DIAGRAM	UNIT mm	DATE 2 November, 2020
MODEL NO. IX-4DVF	FIG. NO. IX-4DVF-2-3	PAGE 2/3	REVISION 1

**AIPHONE**

## INSTRUCTIONS

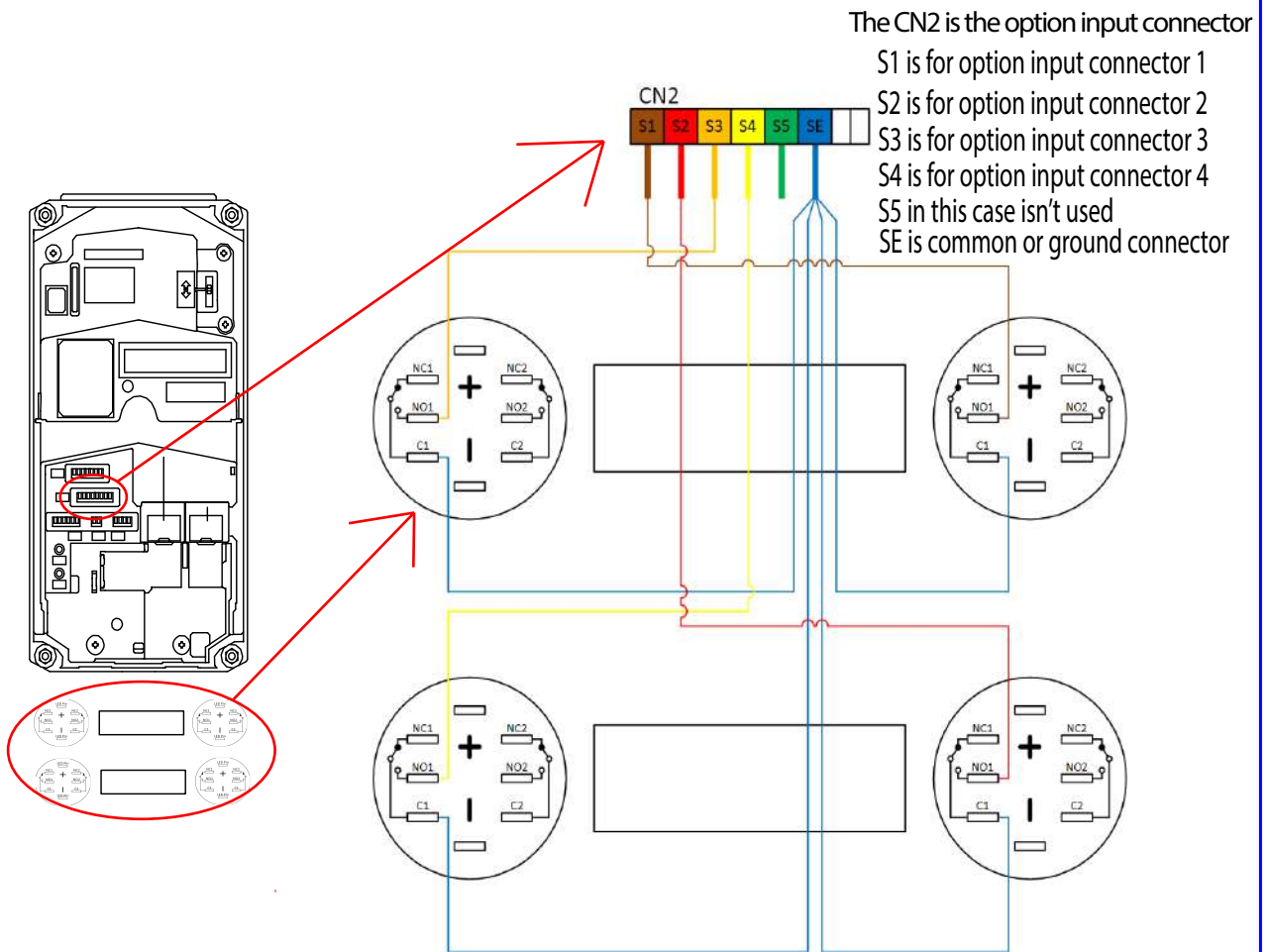
### 1. Connect and Solder Cables



#### Terminal Description

Two sets at most

C1, NO1, NC1, and C2, NO2, NC2 are one set respectively. C is common and used, NO is normally open, NC is normally closed; +, - are lamp terminals, the standard LED have no difference of anode and cathode; Lamp and switch are relatively independent and can use switch or peripheral circuit to control the lamp state.



DESCRIPTION <b>VIDEO DOOR STATION</b>	FIG. NAME <b>INSTRUCTIONS</b>	UNIT mm	DATE 2 November, 2020
MODEL NO. <b>IX-4DVF</b>	FIG. NO. IX-4DVF-3-3	PAGE 3/3	REVISION 1
			<b>AIPHONE</b>