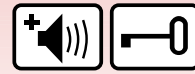


Chime Tone Intercom

DOOR **2** ROOM **3**

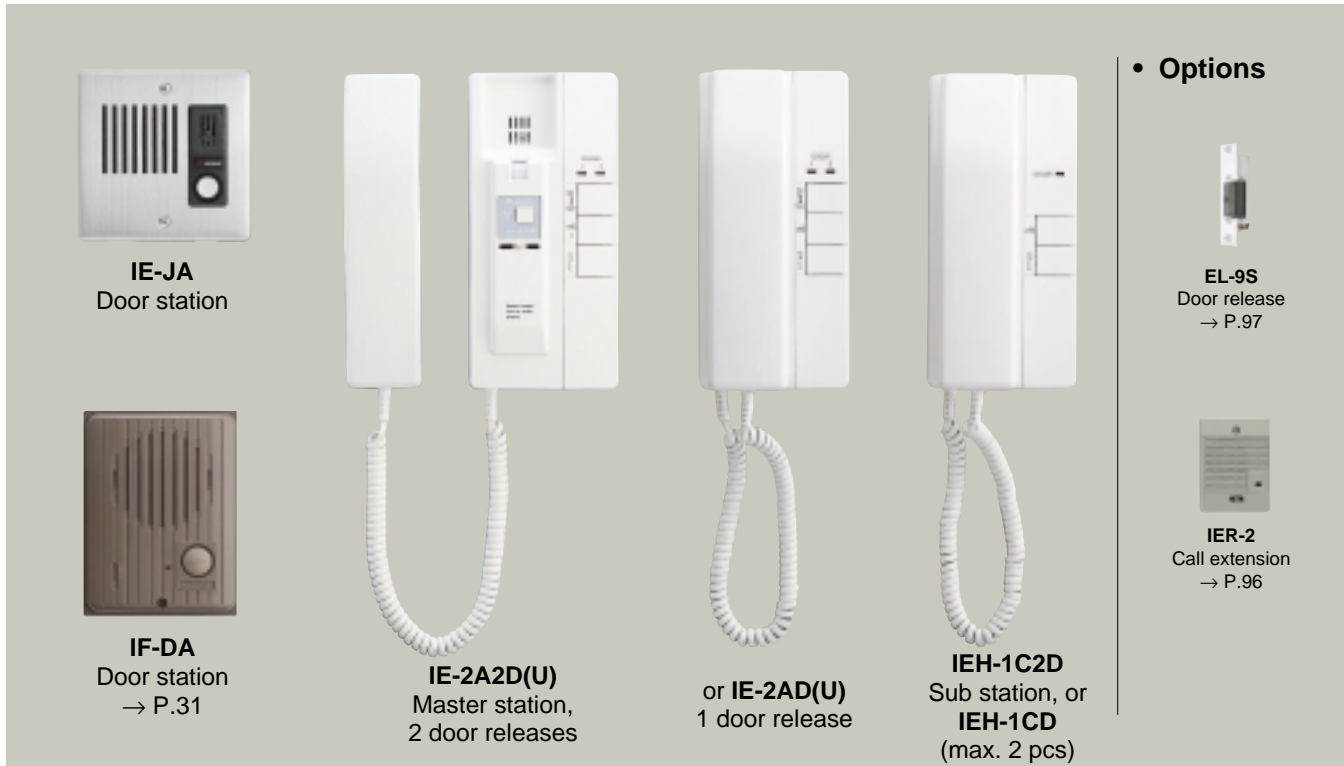
IE-2A2D(U)



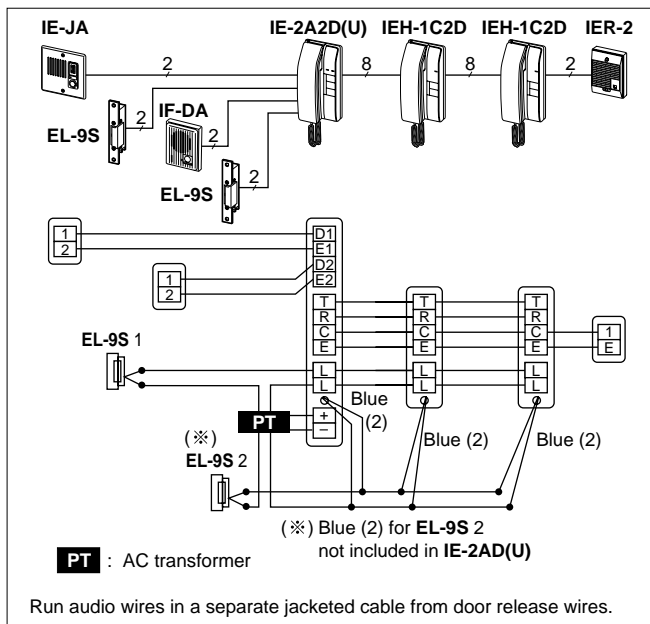
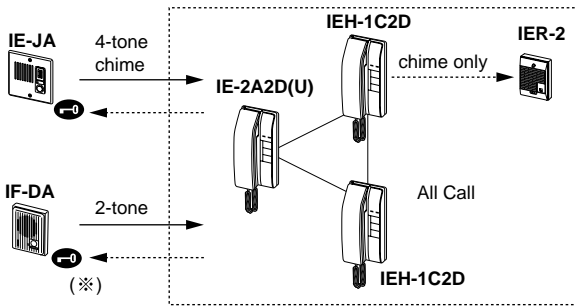
- 3-station chime tone intercom
- 2 door stations w/door release (selective)
- All call type room calling

- Chime tone cutout at sub station
- Door selective monitoring at master station
- AC or DC power source

AUDIO ENTRY SECURITY



Communication network & wiring



System components

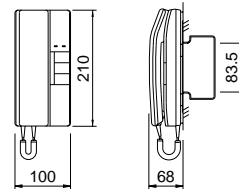
2-door release system

- IE-2A2D(U):** Master station, 2 door release buttons
- IEH-1C2D:** Sub station (2 pcs)
- IF-DA:** Door station (any IE/IF)
- Power supply:** 12~24V DC power supply or 12~16V AC transformer

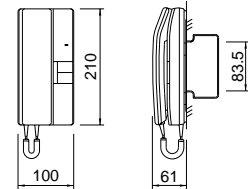
1-door release system

- IE-2AD(U):** Master station, 1 door release button
- IEH-1CD:** Sub station (2 pcs)

IE-2A2D(U), IE-2AD(U)



IEH-1C2D, IEH-1CD



Specifications (IE-2A2D(U))

Power source	12~16V AC, 200mA. 12~24V DC, 200mA.	
Power supply	AC transformer 12~16V AC, 550mA (for both IE & EL-9S), PS-12A, PS-12B.	
Communication	Door calls in w/4- or 2-tone chime to all stations, 45 sec. Chime can be cut out at sub. Pick up on any station to reply. Press CALL to call the rest stations with pretone & voice.	
Door release	Contact rating: 24V AC/DC, 500mA	
Wiring	2 parallel wires, non-polarized to door. 6 wires in loop, rooms	
Distance	0.65mmø	1.0mmø
• IE-2A2D(U) to door	150m	360m
• Between rooms	75m	190m