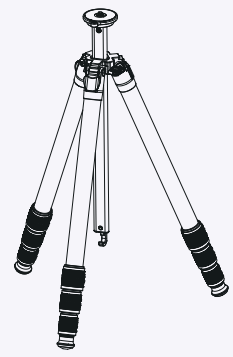




影像随心 思锐随行

使用说明

ST-224 三脚架



广东思锐光学股份有限公司

地址: 广东省中山市五桂山第三工业区 邮编: 528458
 电话: 0760-88897373 传真: 0760-88207062 服务热线: 400 830 2299
 邮箱: info@sirui-photo.com
 投诉电话: 18165639388 网址: www.sirui.com
 (仅限工作日 8:15-12:15, 14:00-18:00)

最大负重	kg	1.5
自身重量	kg	1.4
收拢高度	mm	520
最大高度	mm	1750
不开中轴高	mm	1400
最小高度	mm	430
最小管径	mm	18.6
最大管径	mm	29.4
节数		4

ST-224

三脚架参数表

1. 认识产品

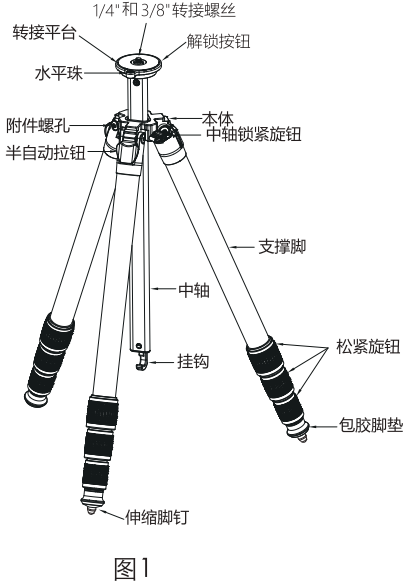


图1

2. 三脚架展开入角度调节

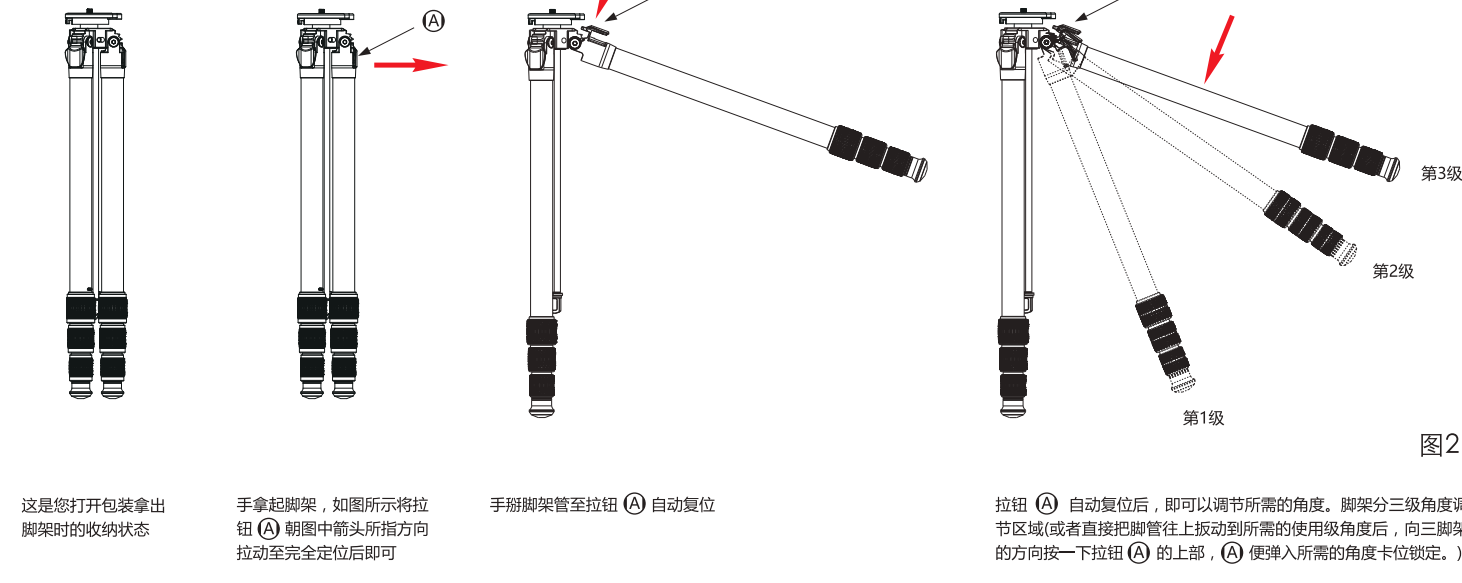


图2

3. 三脚架脚管伸缩

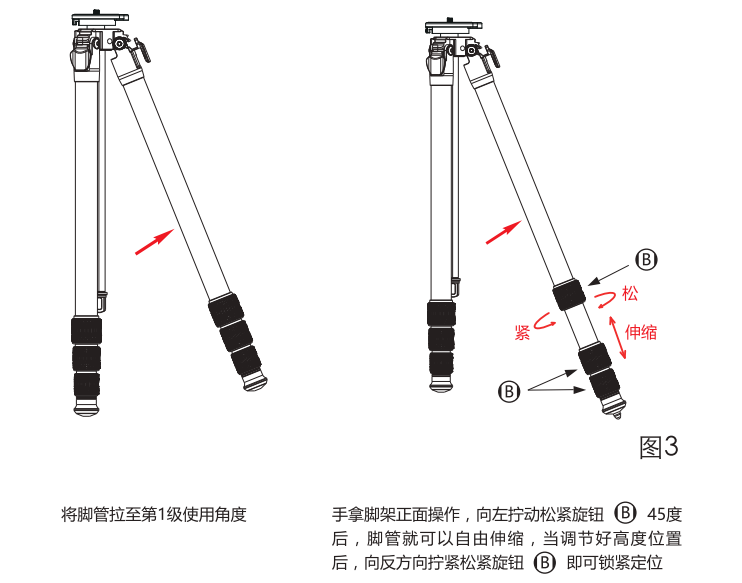


图3

4. 伸缩金属脚钉与包胶脚垫转换

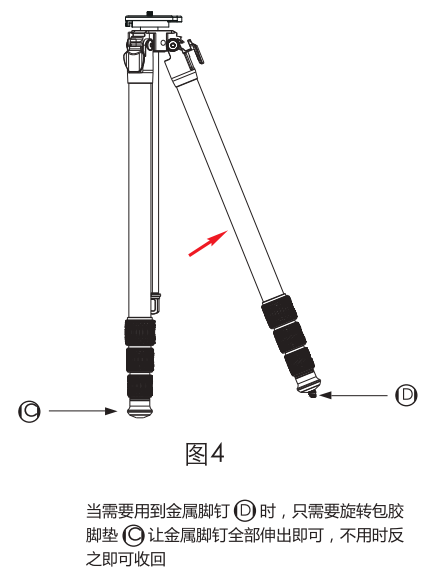


图4

5.1 中轴的插入

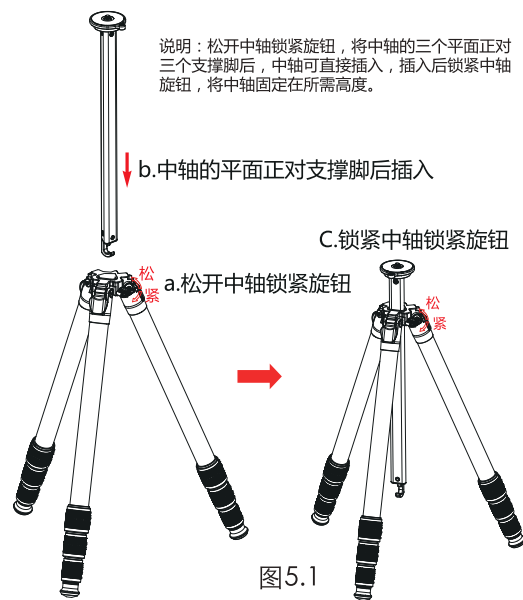


图5.1

5.2 中轴的拔出

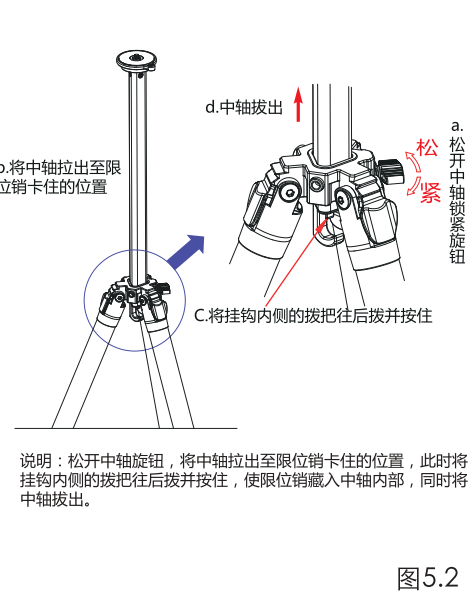


图5.2

6. 中轴的上下伸缩

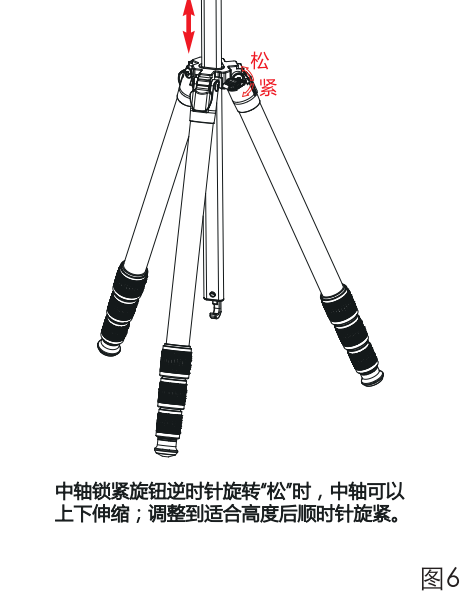


图6

7. 快速转接平台可倒转安装3/8"或1/4"转接螺丝

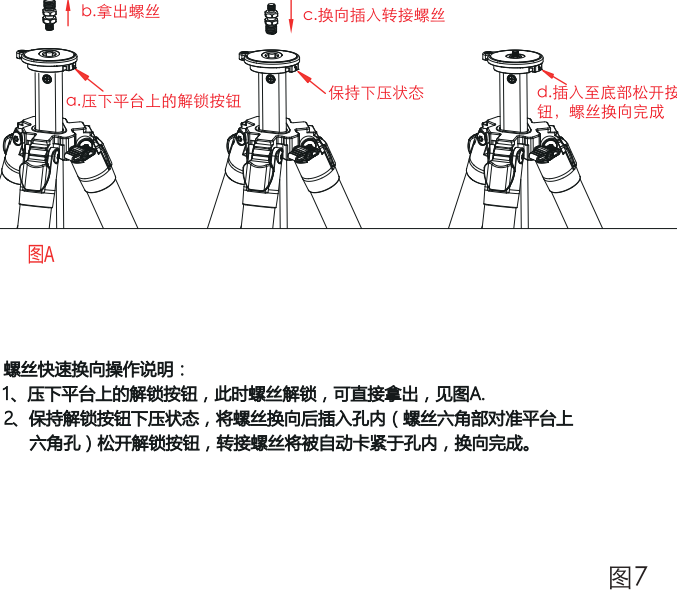


图7

8. 脚管松紧微调

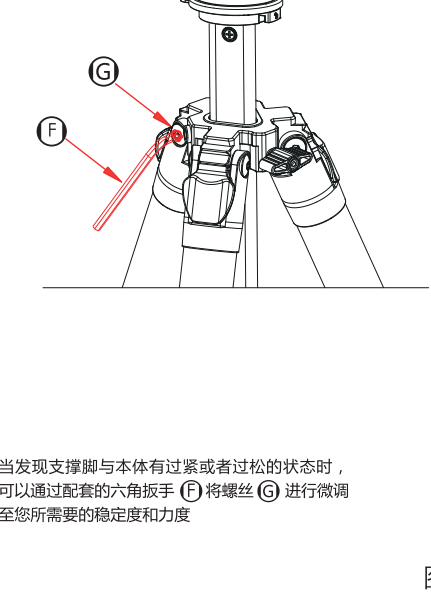


图8

9. 附件螺丝孔

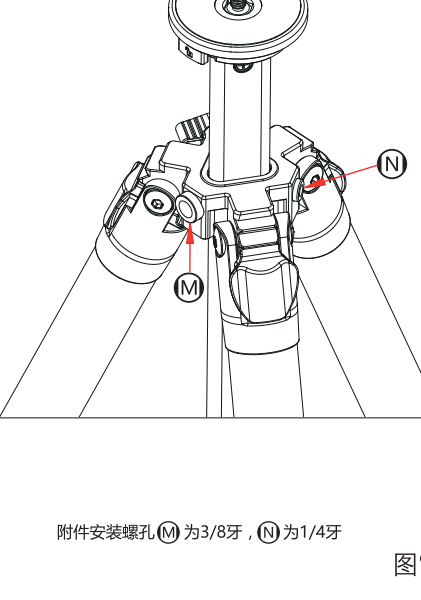


图9

1. 认识产品 (图1如所示) ;
2. 三脚架可调三种角度, 分别约为22°、55°、85°; 将拉钮拉到自动定位后, 把脚管抬到约70°, 按钮可自动回位锁定角度; 脚架可竖直收合 (如图2所示)。
3. 三脚架脚管伸缩: 按图示的方向同时或分别将锁紧旋钮转动约1/2圈, 然后将脚管拉出您所需要的长度, 再按图示方向, 分别从大到小的顺序拧紧各个锁紧旋钮; 收缩时松开锁紧旋钮应按从小到大的顺序操作 (如图3所示)。
4. 伸缩金属脚钉与包胶脚垫转换 (如图4所示)
5. 中轴的插入和拔出 (如图5-1和5-2所示)
6. 中轴的上下伸缩 (如图6所示)
7. 转接平台大小螺丝3/8转1/4 (如图7所示)
8. 脚管松紧微调 (如图8所示)
9. 附件螺孔 (如图9所示)



温馨提醒

1. 在使用脚架拍摄且需要移动位置时, 请将相机从三脚架上取下, 切勿将相机装在脚架上一起移动, 剧烈的晃动 (特别是安装了长焦镜头的相机) 可能会使转接螺丝断裂, 进而损坏相机。
2. 伸展脚管时, 请从最大管径的脚管到最小管径的脚管的顺序伸展; 收纳脚管时, 请从最小管径的脚管到最大管径的脚管的顺序收纳。

注意事项:

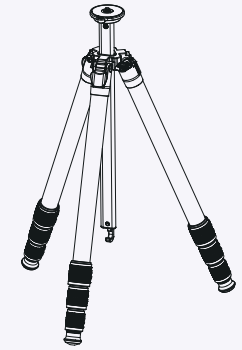
- ⚠ 不要超过最大的制定负重 (请参考个别产品说明);
- ⚠ 当使用产品时, 时常紧锁其安全装置;
- ⚠ 切勿在温度低于零下40摄氏度及高于100摄氏度使用, 当在潮湿、沙地、布满尘埃的环境下使用后, 谨记将产品弄干及清洁, 不建议在海水中使用;
- ⚠ 切勿将产品长时间放在太阳下暴晒及避免高温环境, 例如长时间放在车厢内或玻璃后;
- ⚠ 在公众地方使用时, 如在没有人照料下, 切勿留下设备而引致其他公众不便;
- ⚠ 建议在运输过程中, 将设备 (例如相机) 从脚架上移除;
- ⚠ 使用温和清洁剂及柔软毛巾清洁, 将尘埃及沙粒从所有锁制及活动部件清除;
- ⚠ 除非有需要, 此设备无需定期添加润滑油, 如确实需要时, 请使用标准润滑油或油蜡;
- ⚠ 为自身安全着想, 切勿将产品接触任何电源。



SIRUI, Capturing Your Imagination!

INSTRUCTIONS

ST-224 Tripod



GUANGDONG SIRUI OPTICAL CO.,LTD.
 Add: The Third Industrial District, Wuguishan Town, Zhongshan City, Guangdong, China (Zip Code: 528458)
 Tel: 86-760-88897373 Fax: 86-760-88207062
 E-mail: info@sirui-photo.com Website: www.sirui.com

1. Know the Tripod

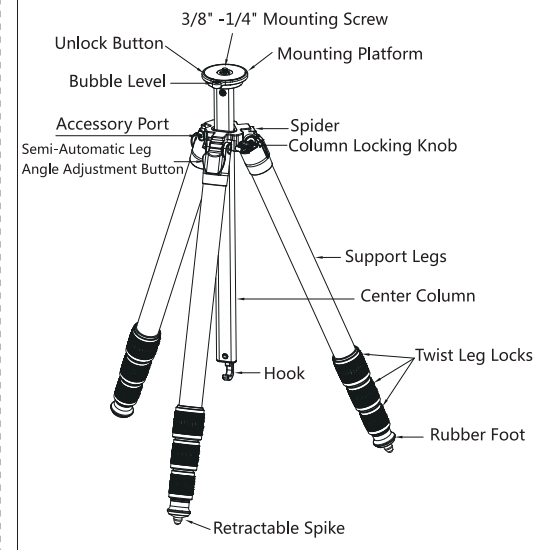
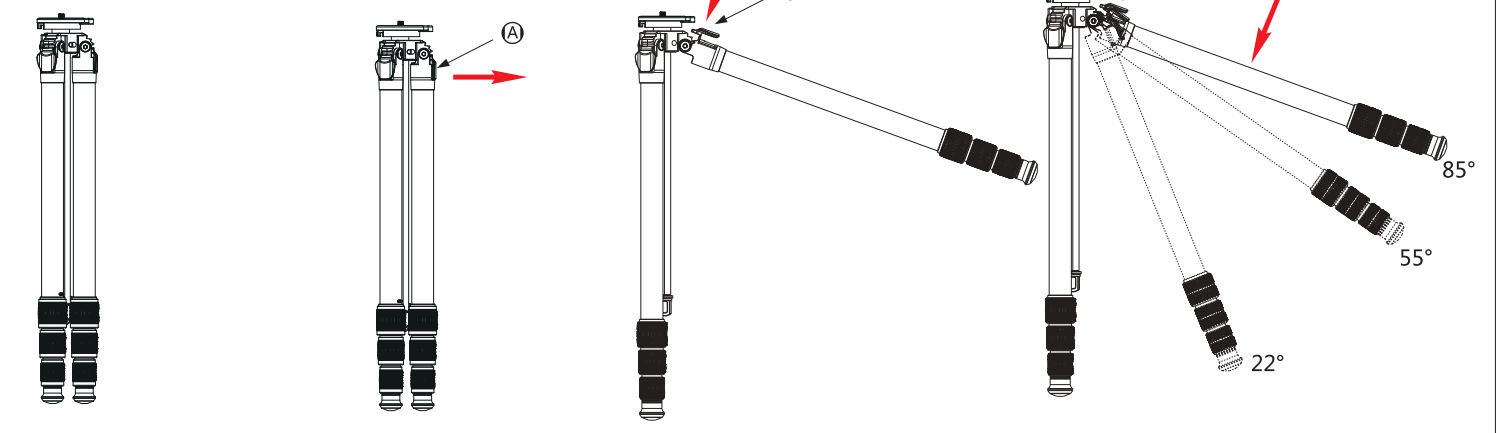


Fig.1

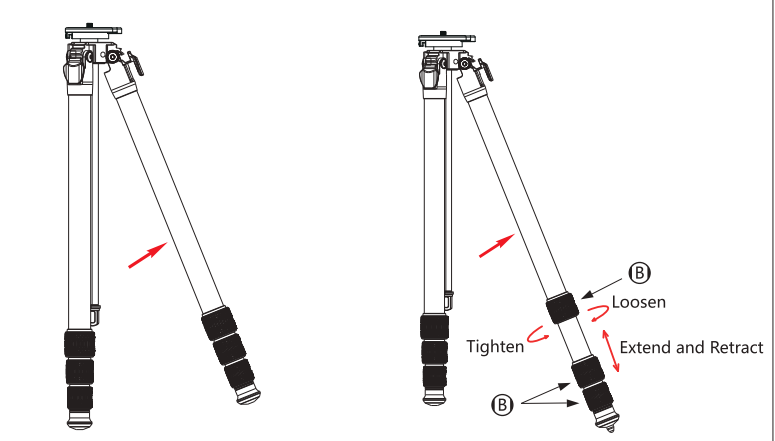
2. Leg Setup



The legs are folded when taking out from the box.
 Hold the tripod and pull out the Button A in the direction of the arrow.
 Pull up the leg until the Button A automatically gets back in position.
 Pull the leg up to 22°/ 55°/ 85° after the Button A went back in position. Or directly pull up the leg to the desired angle, then press the upper part of the Button A to lock the leg in position.

Fig.2

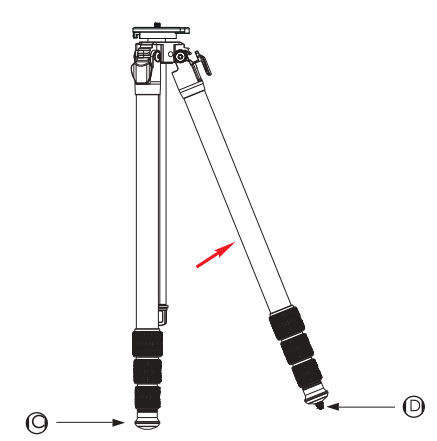
3. Leg Extension/Retraction



Pull up the leg to 22°.
 Turn the leg lock to the left for 45° to extend or retract the leg. Turn the leg lock to the right to lock the leg section in place.

Fig.3

4. Interchangeable Rubber Feet & Spikes



Retract the rubber foot to reveal the metal spike.

Fig.4

1. Know the Tripod (Fig. 1)
2. Three-angle adjustable: 22° /52° /82° . Pull out the leg angle adjustment button and the button will return in position when pulling up the leg approximately to 70° . The legs can be folded down for a compact fit. (Fig. 2)
3. Twist the leg locks (from the smallest to the largest) for a half turn to extend or retract the legs. Lock the leg sections by twisting the locks (from the largest to the smallest) in the opposite direction. (as Fig. 3 shown).
4. Interchangeable rubber feet and spikes (Fig. 4)
5. Insert/Remove the column (Fig. 5-1 to Fig. 5-2)
6. Column Ascent/Descent (Fig. 6)
7. Convertible 3/8"-16 and 1/4"-20 Screw (Fig. 7)
8. Leg tension adjustment (Fig. 8)
9. Accessory ports (Fig. 9)

NOTES

1. Please remove your camera and lens from the tripod before moving the tripod as the camera and lens will be damaged if the mounting screw breaks due to violent shaking.
2. Please extend the legs from the max-diameter section to the mid-diameter section and retract from the mid-diameter section to the max-diameter section.

5.1 Insert the Column

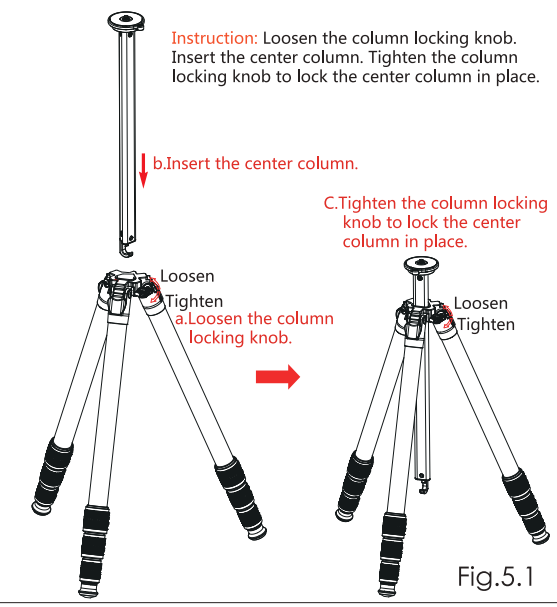


Fig.5.1

5.2 Remove the Column

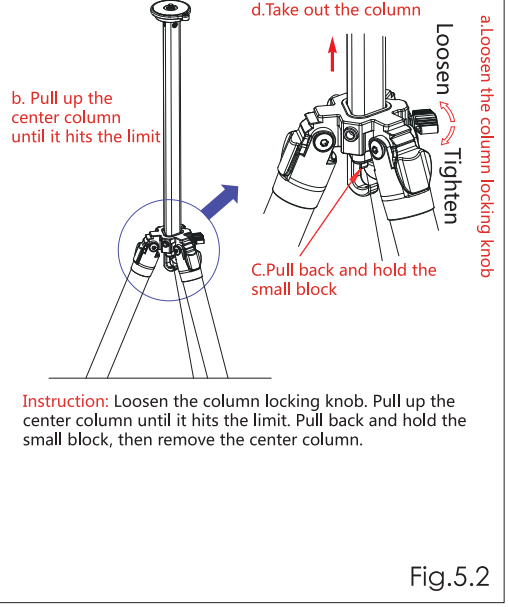


Fig.5.2

6. Column Ascent/Descent

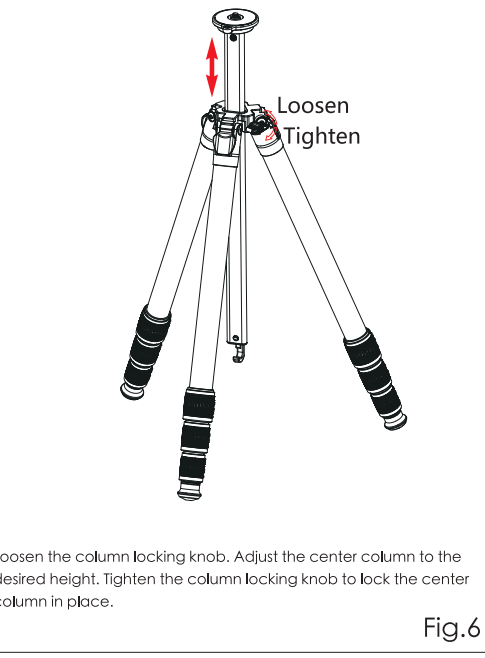


Fig.6

7. Convertible 3/8"-16 and 1/4"-20 Screw

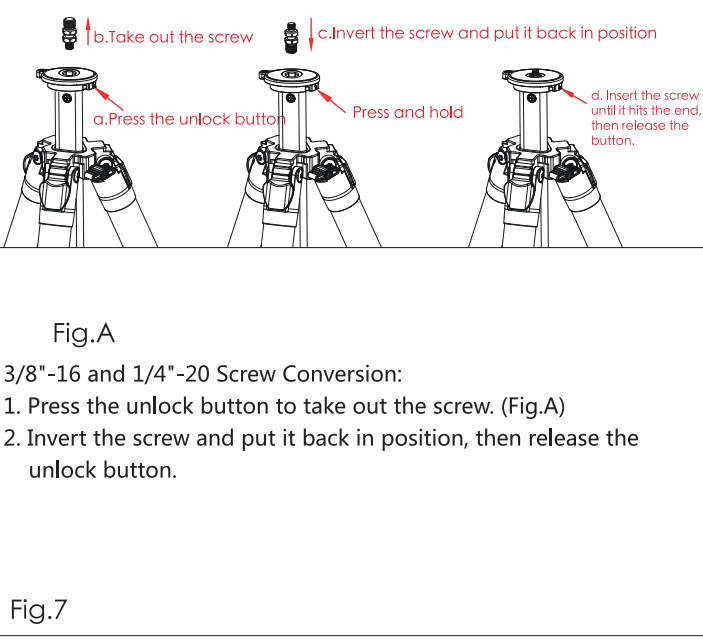


Fig.7

8. Leg Tension Adjustment

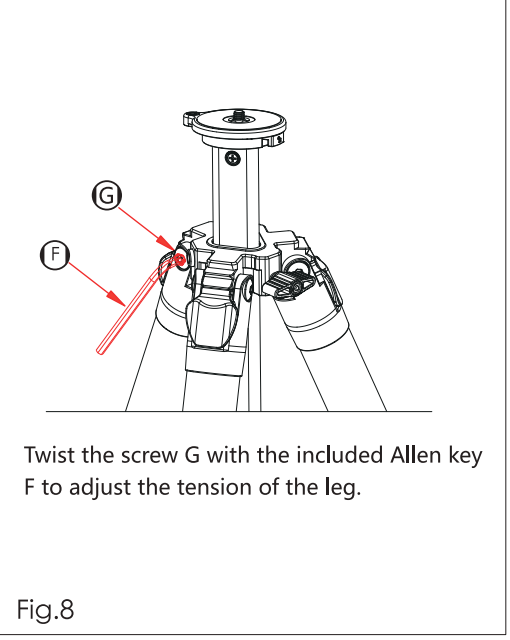


Fig.8

9. Accessory Ports

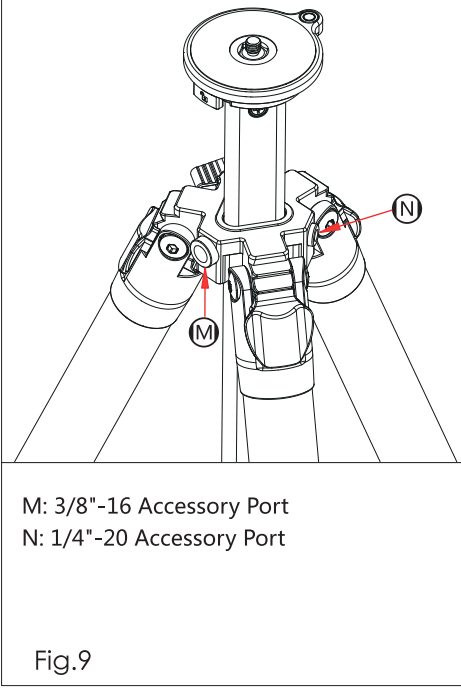


Fig.9

Data Chart

Max Load	kg/lbs	15/33.07
Weight	kg/lbs	1.4/3.09
Max Height	mm/inches	520/20.47
Min Height	mm/inches	1750/68.90
Max Column	mm/inches	1400/55.12
Min Column	mm/inches	1400/55.12
Max Height	mm/inches	480/16.93
Min Height	mm/inches	480/16.93
Max Tube Dia	mm/inches	18.6/0.73
Min Tube Dia	mm/inches	18.6/0.73
Sections		4

- Attention:**
- Do not exceed the recommended maximum load weight (please refer to the manual).
 - Please make sure that the locks are securely tightened when in use. For added safety, please put your wrist through the wrist strap when using the monopod.
 - This product should not be used in environments that exceed the following conditions (-40 ~ +100°C/-40 ~ +212°F). And, when used in damp, dirty or dusty environments, please clean and dry thoroughly after use, to assure proper functioning in the future. It is not recommended to expose this product to saltwater. If exposed, please clean with mild soap and warm water and towel dry.
 - Please keep from high temperatures and direct exposure to bright sunlight for extended periods of time.
 - Please do not leave the equipment alone in a public place, which can be an inconvenience or hazard to others.
 - To protect your camera gear, please remove it from the tripod/ball head when transporting from place to place.
 - Please use a soft towel with warm water and mild soap to clean the locking system and gliding parts when necessary. Towel dry before storing the monopod.
 - Under most situations, there is no need to lubricate any parts of this product. The addition of most lubricants will gum up the mechanisms and reduce their normal gliding characteristics. Please call or email us if you have any questions or special needs.
 - Please keep this product away from all electrical power sources.