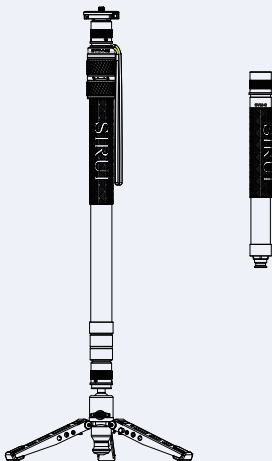




SIRUI, Capturing Your Imagination!

Instructions

SVM-145 and SVM-165 Photo/Video Monopod SVM-E Extension Rod



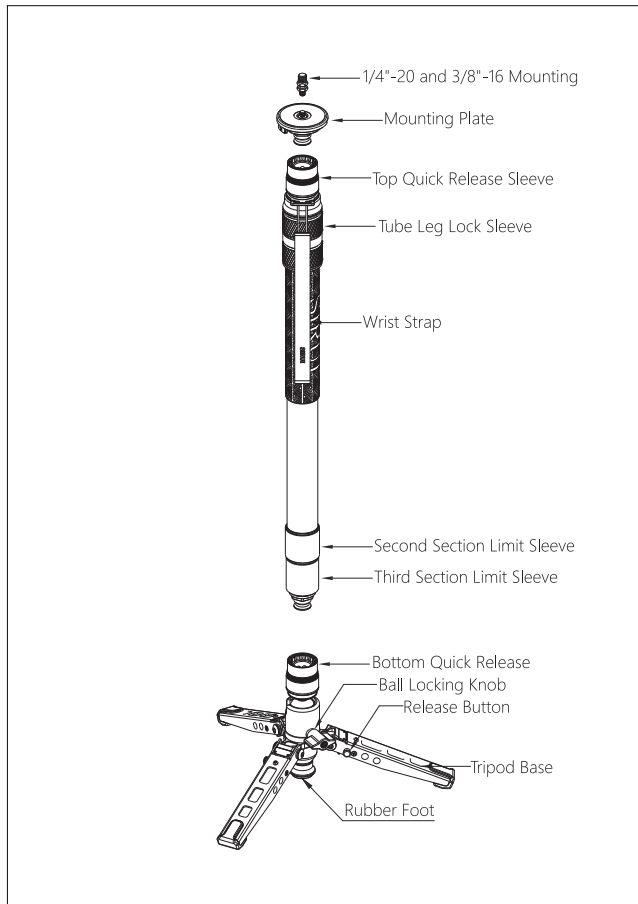
GUANGDONG SIRUI OPTICAL CO.,LTD.

Address: The Third Industrial District, Wuguishan Town, Zhongshan City,
Guangdong, China (Zip Code: 528458)

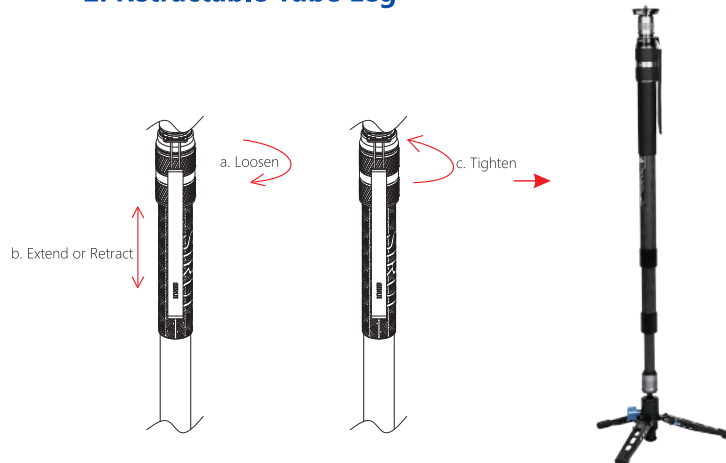
Tel: 86-760-88897373 Fax: 86-760-88207062

E-mail: info@sirui-photo.com Website: www.sirui.com

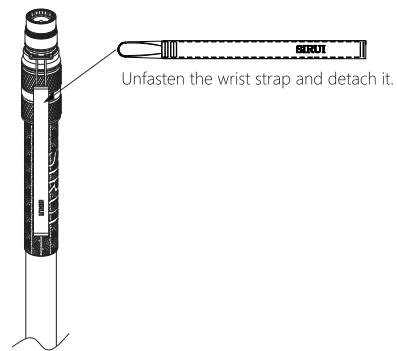
1. Names of Parts



2. Retractable Tube Leg



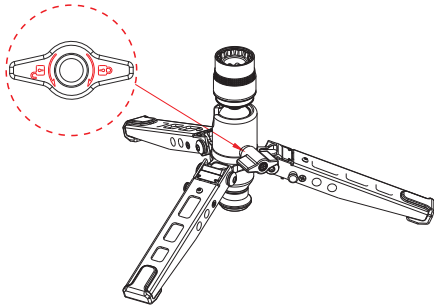
3. How to Detach the Wrist Strap



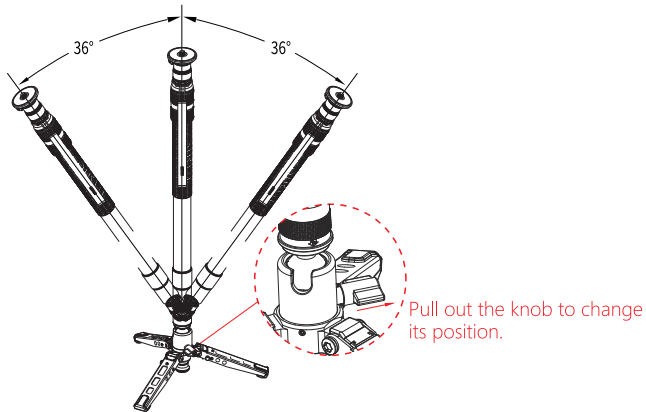
4. Friction Adjustments and All-round 36° Tilting

4.1 Use the ball locking knob to lock the ball or adjust the friction.

-  Clockwise Turn: Secure
-  Counter-clockwise Turn: Unlock

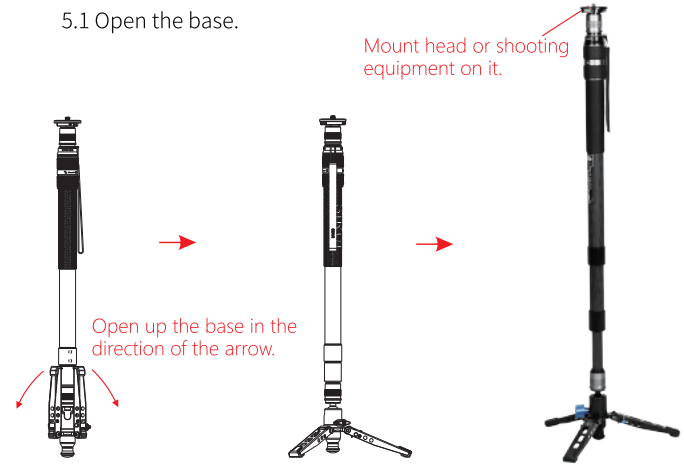


4.2 Loosen the ball locking knob to tilt the monopod 36° in any direction.

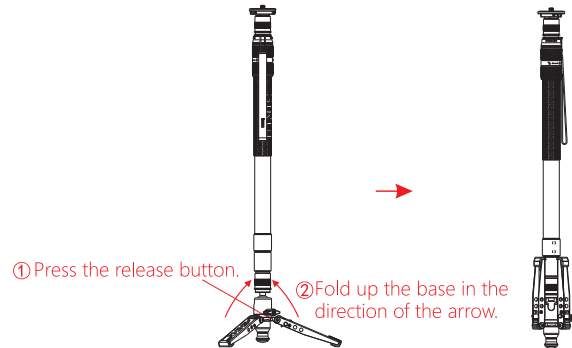


5. Photo/Video Functions

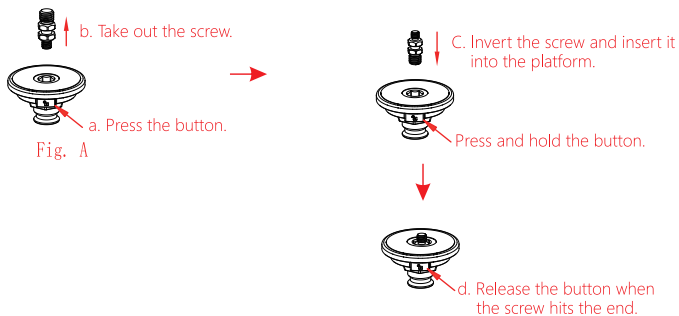
5.1 Open the base.



5.2 Fold up the base.



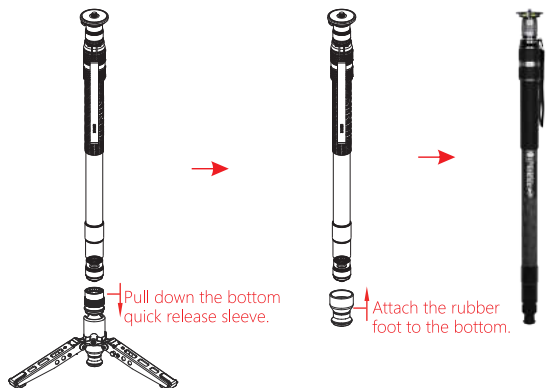
6. Inverting the 3/8"-16 and 1/4"-20 Mounting Screw



Inverting the screw:

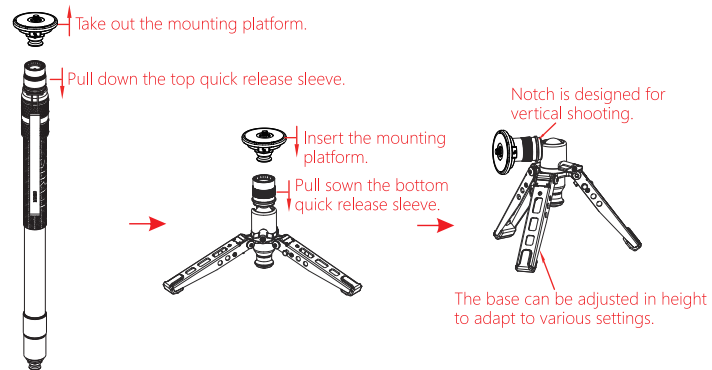
1. Press the button on the side of the platform to take out the screw.
2. Invert the screw and insert it into the platform. Don't release the button until the screw hits the end.

7. Monopod



5/20

8. Low Angle Tripod



6/20

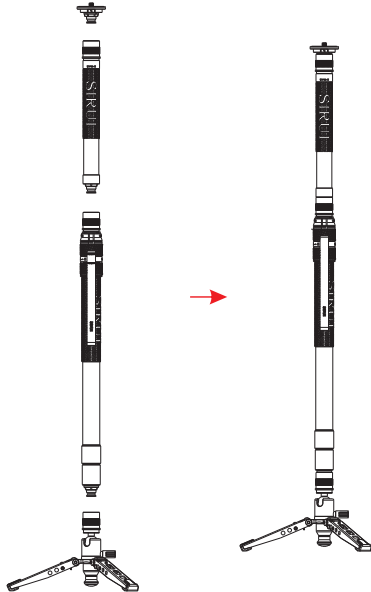
9. Optional SVM-E Extension Rod



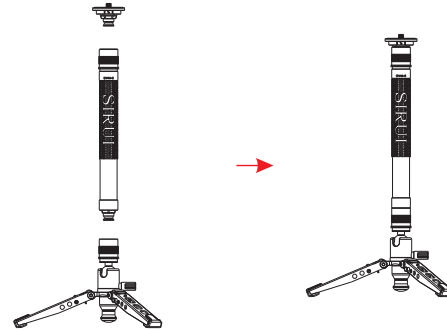
Instructions:

1. The max height of SVM145 is 145cm and the max height of SVM165 is 165cm.
2. And if the monopod is not high enough for some cases, the optional SVM-E extension rod can be added to help increase the height of this monopod by 30cm, ideal for higher shooting or simulating camera crane. Moreover, this extension rod works well with Rapid System.

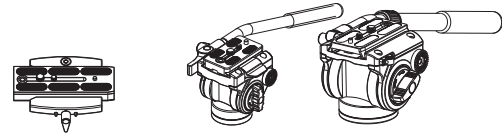
A. Extension rod with monopod:



B. Extension rod with base:



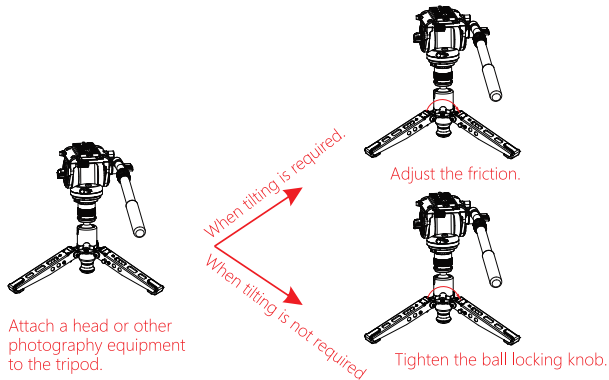
Suggestion1: Pair the monopod with VH-90 Platform and VA-5X/VH-10 Fluid Head from SIRUI.



VH-90 Platform

VA-5X/VH-10 Fluid Head

Suggestion2: Instructions on using the low angle tripod.



SVM-145/SVM-165 Photo/Video Monopod Specifications SVM-E Extension Rod Specifications

	节数	最大管径 mm	最小管径 mm	独脚架 最大高度 mm	独脚架 最小高度 mm	自身重量 kg	最大负重 kg
SVM-145	3	36	24	1450	750	1.5	10
SVM-165	3	36	24	1650	820	1.55	10
SVM-E	1	32	/	320	320	0.17	10

Caution!

To protect your photo/video equipment, please hold the equipment with your hands or step on the tripod base while shooting.

Notice:

1. Please make sure the buckles are locked securely and hold the monopod with your hands when adjusting the Upper Twist Collar and the Ball Locking Knob.
2. Place the monopod on a flat surface to detach it.
3. Please use the tripod base (rubber feet attached) on a flat surface.
4. Hold the camera with your hands before pulling down the Top/Bottom Quick Release Sleeve.



CAUTION!

Do not move the extended monopod with a camera mounted around. Extend the leg tubes from large to small and retract the leg tubes from small to large.

Attention:



Do not exceed the recommended maximum load weight (please refer to the manual).



Please make sure that the locks are securely tightened when in use. For added safety, please put your wrist through the wrist strap when using the monopod.



This product should not be used in environments that exceed the following conditions (-40 ~ +100°C/-40 ~ +212°F). And, when used in damp, dirty or dusty environments, please clean and dry thoroughly after use, to assure proper functioning in the future. It is not recommended to expose this product to saltwater. If exposed, please clean with mild soap and warm water and towel dry.



Please keep from high temperatures and direct exposure to bright sunlight for extended periods of time.



Please do not leave the equipment alone in a public place, which can be an inconvenience or hazard to others.



To protect your camera gear, please remove it from the tripod/ball head when transporting from place to place.



Please use a soft towel with warm water and mild soap to clean the locking system and gliding parts when necessary. Towel dry before storing the monopod.



Under most situations, there is no need to lubricate any parts of this product. The addition of most lubricants will gum up the mechanisms and reduce their normal gliding characteristics. Please call or email us if you have any questions or special needs.



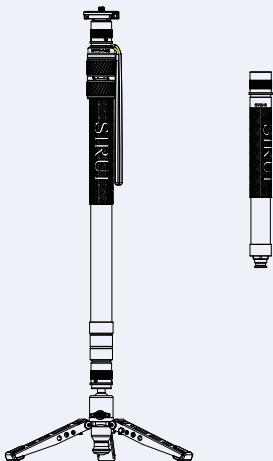
Please keep this product away from all electrical power sources.



影像随心 思锐随行

使用说明书

SVM-145和SVM-165摄影/摄像独脚架
SVM-E独脚架延长杆



广东思锐光学股份有限公司

地址: 广东省中山市五桂山第三工业区

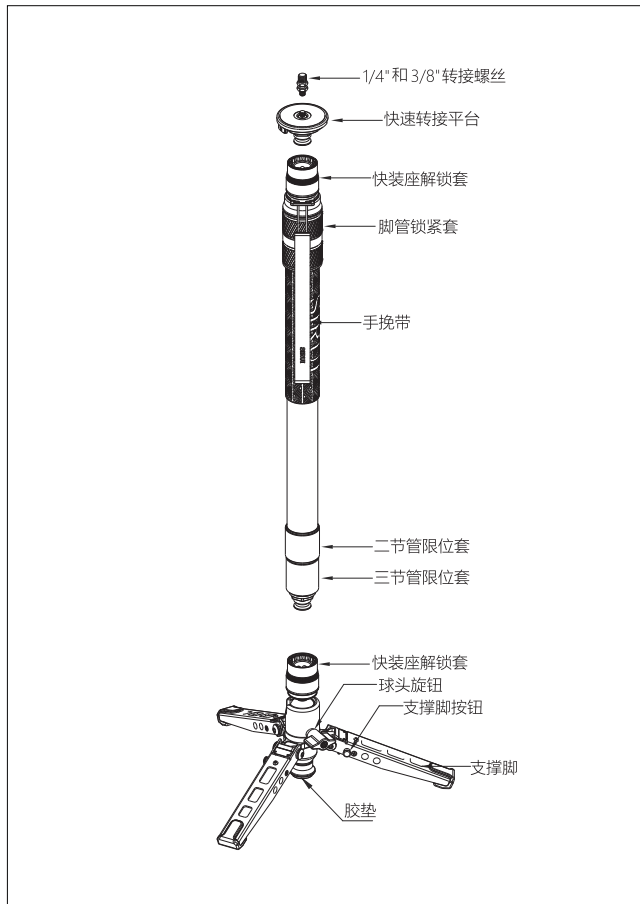
邮编: 528458

电话: 0760-88897373 传真: 0760-88207062 服务热线: 400 830 2299

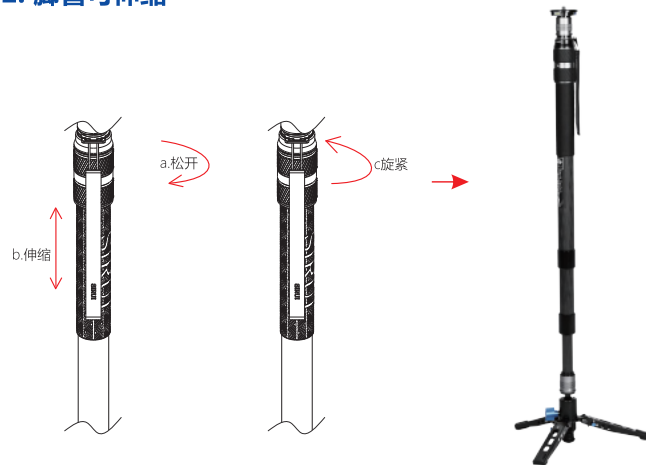
邮箱: info@sirui-photo.com

网址: www.sirui.com

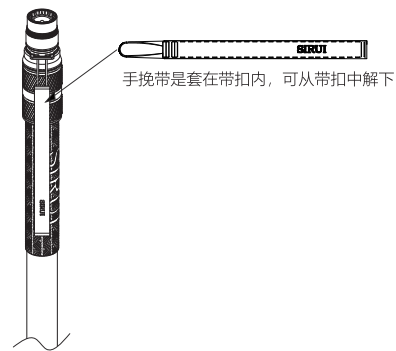
1. 认识产品



2. 脚管可伸缩



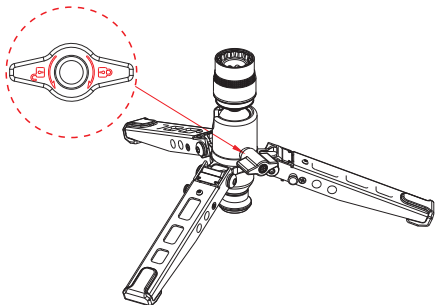
3. 手挽带拆解



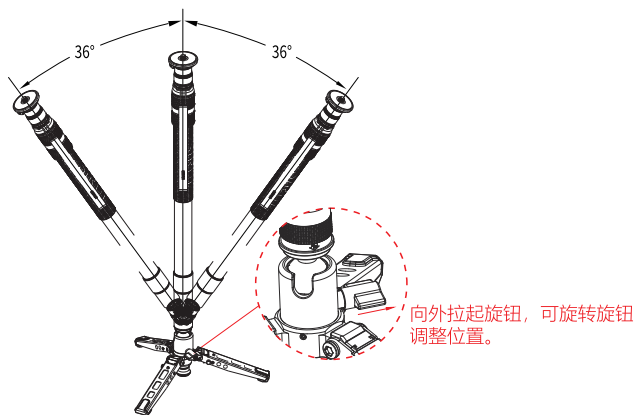
4. 可以调节阻尼大小和万向摆动功能

4.1 球头旋钮用于锁定球头的转动和调节球头阻尼大小。

按的方向阻尼变大
按的方向阻尼变小



4.2 球头旋钮用于固定球头的万向摆动（主杆可以36°万向摆动）。



5. 摄影/摄相功能

5.1 支撑三脚架的打开。

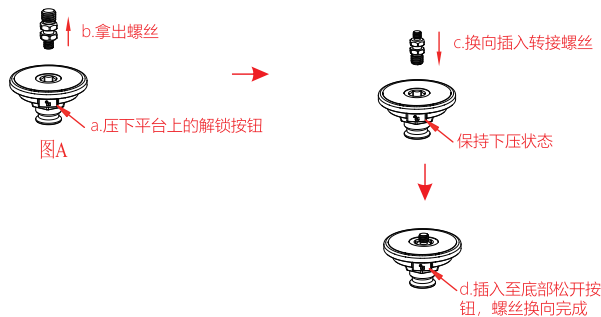
连接云台或摄像设备



5.2 支撑三脚架的收拢



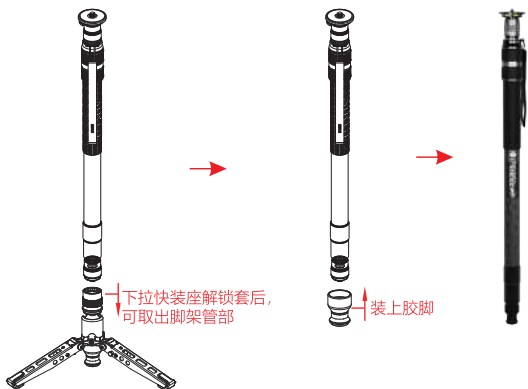
6. 快速转接平台可倒转安装3/8"或1/4"转接螺丝



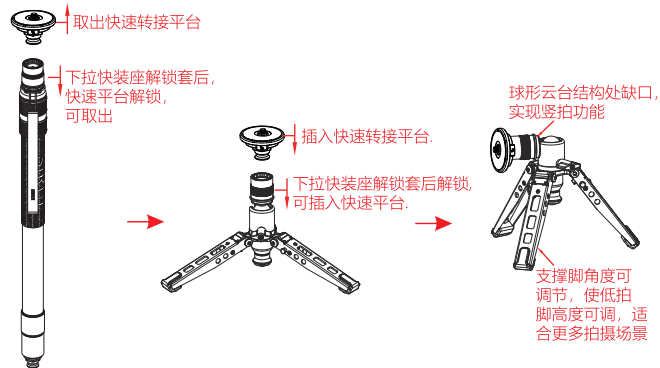
螺丝快速换向操作说明:

- 1、压下平台上的解锁按钮，此时螺丝解锁，可直接拿出，见图A。
- 2、保持解锁按钮下压状态，将螺丝换向后插入孔内（螺丝六角部对准平台上六角孔），松开解锁按钮，转接螺丝将被自动卡紧于孔内，换向完成。

7. 可以拆分成普通独脚架



8. 可以拆分成低角度拍摄三角架



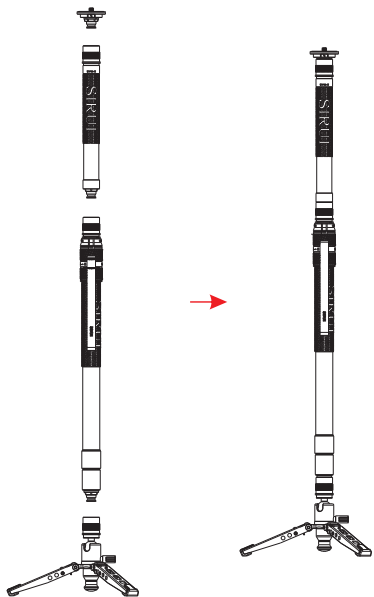
9. 可选配SVM-E独脚架30CM延长杆



延长杆高度说明：

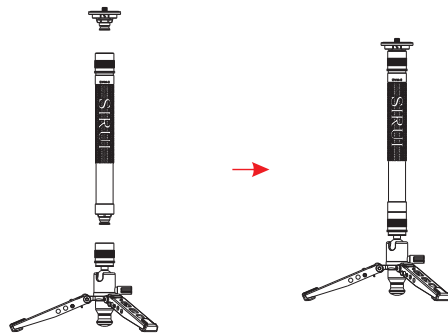
- 1、SVM-145最大高度为145cm，SVM-165最大高度为165cm。
- 2、若有更高的拓展要求，可选配SVM-E延长杆。其适配SVM-E独脚架的快拆系统，安装便捷，为脚架增加30cm的使用高度。从而实现高度、模拟摇臂拍摄的需求。

A. 延长杆与独脚架搭配使用：

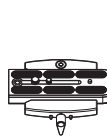


7/20

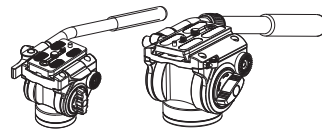
B. 与低拍脚搭配使用：



建议1：可选购我司VH-90平台和VA-5X/VH-10云台



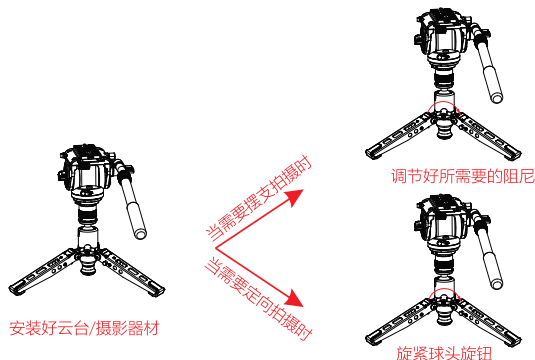
VH-90 平台



VA-5X/VH-10 云台

8/20

建议2：低角度拍摄三角架使用



SVM-145/SVM-165摄影/摄像独脚架参数 SVM-E独脚架延长杆参数

							
	节数	最大管径 mm	最小管径 mm	独脚架 最大高度 mm	独脚架 最小高度 mm	自身重量 kg	最大负重 kg
SVM-145	3	36	24	1450	750	1.5	10
SVM-165	3	36	24	1650	820	1.55	10
SVM-E	1	32	/	320	320	0.17	10

警告

独脚架不能独立用作稳定支撑。为避免损坏您的摄影/摄像设备，您在使用时必须一直抓住设备且/或用脚踩住独脚架的支撑脚端部以确保稳定性。

注意：

- 1.在操作上部旋转滚花螺套、下部球头旋钮前，请确保脚管扳扣锁紧并扶稳脚架。
- 2.如果需要拆分多功能独脚架，请先把它平稳地放在平地上再进行拆分，以避免三脚架掉落造成不必要的损伤。
- 3.打开支撑脚使用时，包胶脚钉不要拆下；请在平地上使用，以免损坏支撑脚片。
- 4.解锁设备前，请先扶稳设备，再下拉快装座解锁套避免设备掉落损坏。












温馨提醒

请勿将未收缩的独脚架连同未拆卸的相机一起肩扛搬运。

伸展脚管时，请从最大管径的脚管到最小管径的脚管的顺序伸展。收纳脚管时，请从最小管到最大管。

注意事项：

-  不要超过规定的最大负重（请参考个别产品说明）。
-  当使用产品时，时常锁紧其安全装置。
-  切勿在温度低于零下40摄氏度及高于100摄氏度使用。当在潮湿/沙地/布满尘埃的环境下使用后，谨记将产品弄干及清洁，不建议在海水中使用。
-  切勿将产品长时间放在太阳下曝晒及避免高温环境，例如长时间放在车厢内或玻璃后。
-  在公众地方使用时，如在没有人照料下，切勿留下设备而引致其他公众不便。
-  建议在运输过程中，将设备（例如相机）从脚架上移除。
-  使用温和清洁剂及柔软毛巾清洁，将尘埃及沙粒从所有锁制及活动部件清除。
-  除非有需要，此设备无需定期加添润滑油，如确实需要时，请使用标准润滑油或油蜡。
-  为自身安全着想，切勿将产品接触任何电源。