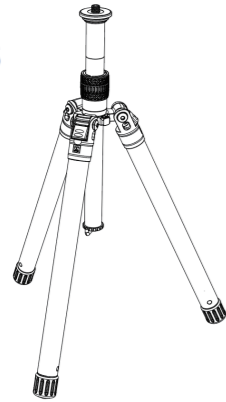




SIRUI. Capturing Your Imagination!

# INSTRUCTIONS

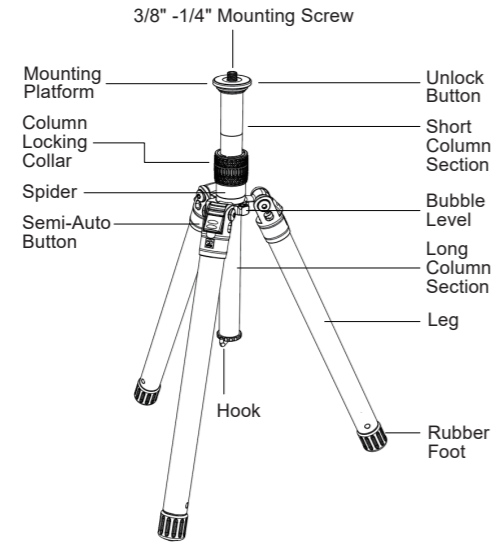
## AT-125 Tripod



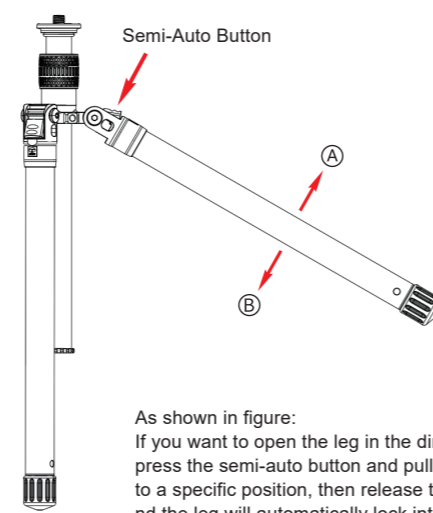
GUANGDONG SIRUI OPTICAL CO.,LTD.

Add: The Third Industrial District, Wuguishan Town, Zhongshan City, Guangdong, China (Zip Code: 528458)  
Tel: 86-760-88897373 Fax: 86-760-88207062  
E-mail: info@sirui-photo.com Website: www.sirui.com

### 1. Know the Tripod Fig.1



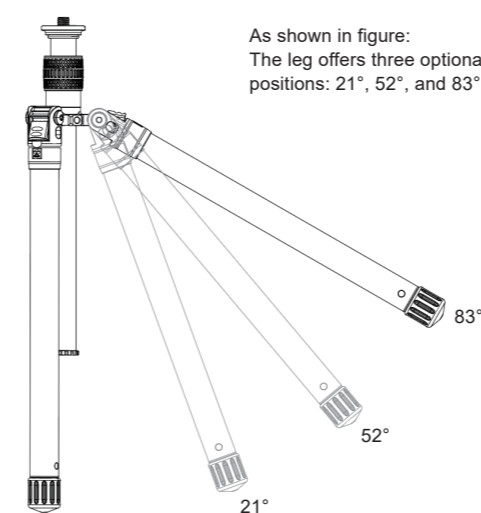
### 2. Leg Setup & Angle Adjustment Fig.2



As shown in figure:  
If you want to open the leg in the direction of A, press the semi-auto button and pull the leg up to a specific position, then release the button and the leg will automatically lock into place.

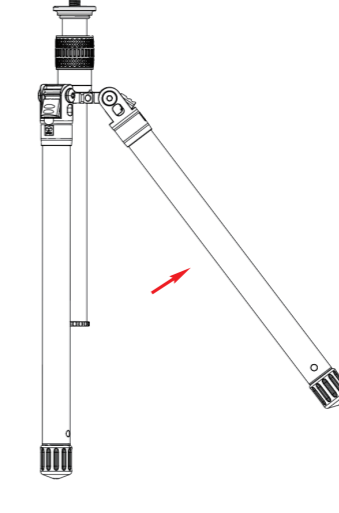
If you want to close the leg in the direction of B, simply fold the leg down to your desired position.

### Fig.2

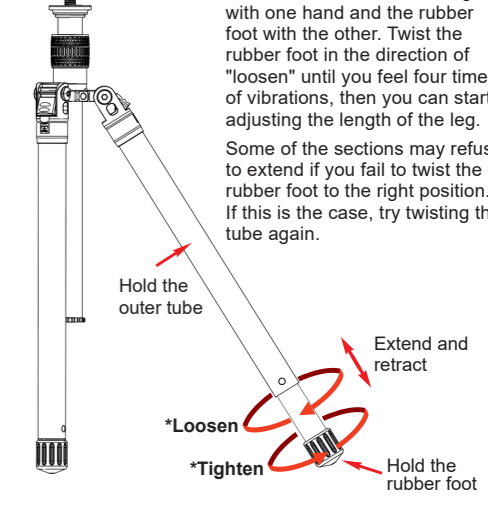


As shown in figure:  
The leg offers three optional positions: 21°, 52°, and 83°.

### 3. Leg Extension & Retraction Fig.3



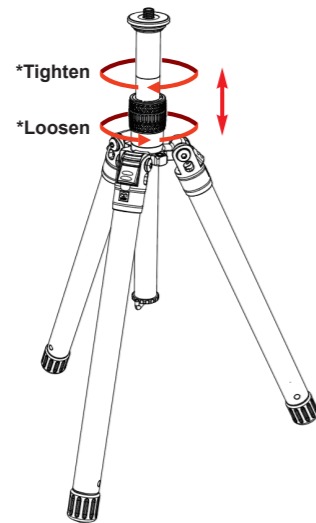
1. Pull the leg up



2. Hold the outer tube of the leg with one hand and the rubber foot with the other. Twist the rubber foot in the direction of "loosen" until you feel four times of vibrations, then you can start adjusting the length of the leg.  
Some of the sections may refuse to extend if you fail to twist the rubber foot to the right position. If this is the case, try twisting the tube again.

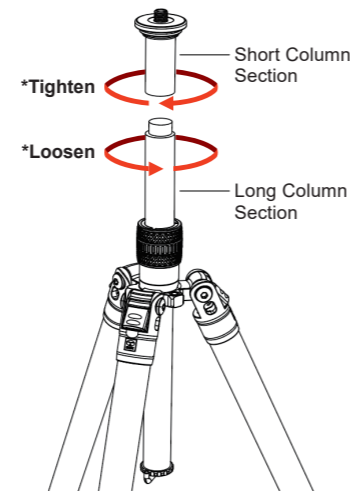
3. When the leg is extended to the desired position, turn the rubber foot in the direction of "tighten" until you feel the locking vibration.  
After all three legs are locked into position, you can place the tripod on the ground and gently press it down to make sure the legs are securely locked.

### 4.1. Center Column Movement Fig.4.1



Twist the column locking collar in the direction of "loosen" to adjust the height of the column. Twist the collar clockwise to lock the column in place.

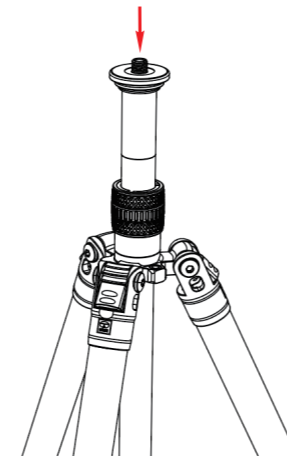
### 4.2. Short/Long Column Section Fig.4.2



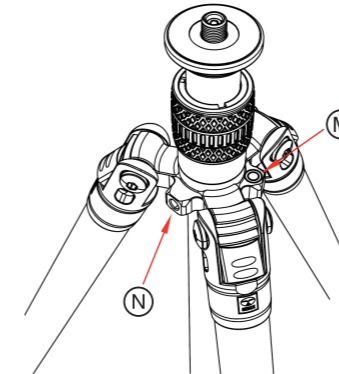
Twist the column in the direction of "loosen" to get a short column section.  
Combine the short and long columns together by twisting the short column in the direction of "tighten".

### 5. Mounting Plate & 3/8\" -1/4\" Mounting Screw Fig.5

The 3/8\" -1/4\" mounting screw is provided for use with a wide variety of accessories.



### 6. Accessory Port & Bubble Level Fig.6



M: Bubble Level  
N: 1/4\" Screw Hole

1. Know the Tripod (As shown in the fig.1)
2. The legs offer three optional positions: 21°, 52°, and 83° and can be folded up or down.
3. Leg Extension & Retraction: Operate according to the fig.3.
4. The column height is adjustable. The column can be detached into two sections.
5. 3/8\" -1/4\" Mounting Screw.
6. Accessory Port & Bubble Level.



**NOTES**

Please remove your camera and lens from the tripod before transporting the tripod, as the camera and lens may damage if the mounting screw breaks due to the violent shaking.

#### Attention:

- Do not exceed the recommended maximum load weight (please refer to the manual).
- Please make sure that the locks are securely tightened when in use. For added safety, please put your wrist through the wrist strap when using the monopod.
- This product should not be used in environments that exceed the following conditions (-40 ~ +100°C/-40 ~ +212°F). And, when used in damp, dirty or dusty environments, please clean and dry thoroughly after use, to assure proper functioning in the future. It is not recommended to expose this product to saltwater. If exposed, please clean with mild soap and warm water and towel dry.
- Please keep from high temperatures and direct exposure to bright sunlight for extended periods of time.
- Please do not leave the equipment alone in a public place, which can be an inconvenience or hazard to others.
- To protect your camera gear, please remove it from the tripod/ball head when transporting from place to place.
- Please use a soft towel with warm water and mild soap to clean the locking system and gliding parts when necessary. Towel dry before storing the monopod.
- Under most situations, there is no need to lubricate any parts of this product. The addition of most lubricants will gum up the mechanisms and reduce their normal gliding characteristics. Please call or email us if you have any questions or special needs.
- Please keep this product away from all electrical power sources.

#### Data Chart

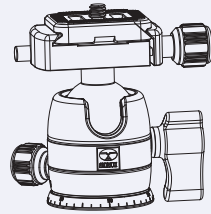
Section	5	Max Tube Dia (mm/inch)	25/1.0	Min Tube Dia (mm/inch)	13/0.5	Height w/ Column Descended (mm/inch)	1235/48.6	Max Load (kg/lb)	10/22.0
Max Height (mm/inch)	1450/57.1	Retracted Height (mm/inch)	354/13.9	Min Height (mm/inch)	120/4.7	Weight (kg/lb)	0.66/1.5		



SIRUI, Capturing your Imagination!

# Instructions

## B-00 Series Ball Head



SIRUI WEBSITE

GUANGDONG SIRUI OPTICAL CO.,LTD.

Add: The Third Industrial District, Wuguishan Town, Zhongshan City, Guangdong, China (Zip Code: 528458)  
Tel: 86-760-88897373 Fax: 86-760-88207062  
E-mail: info@sirui-photo.com Website: www.sirui.com

### 1. Know the Ball Head

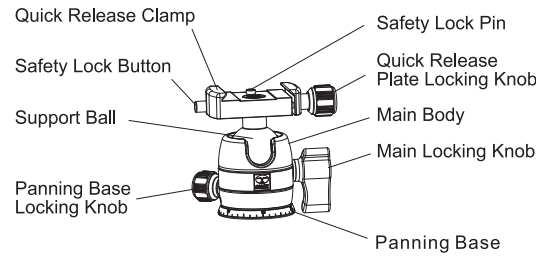


Fig. 1-1

### 2. Attaching the Ball Head

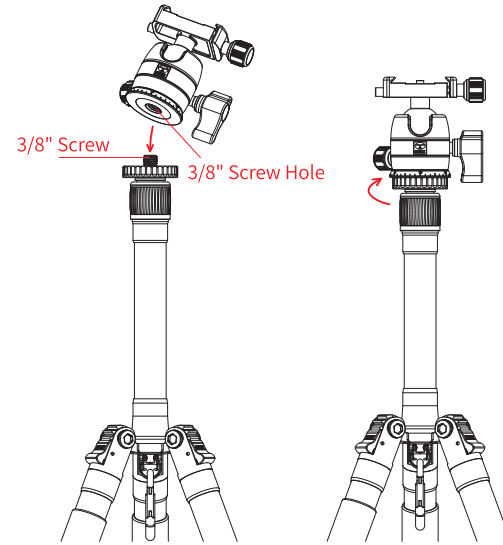


Fig. 2-1

Fig. 2-2

### 3. Know the Quick Release Plate and Quick Release Clamp

#### (1) Quick Release Plate

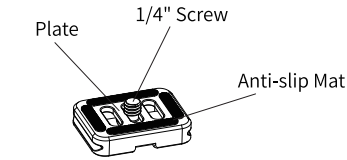


Fig. 3-1

#### (2) Quick Release Clamp

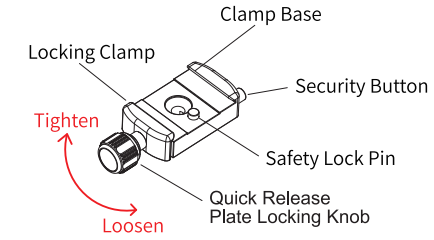


Fig. 3-2

### 4. Install and Remove the Quick Release Plate

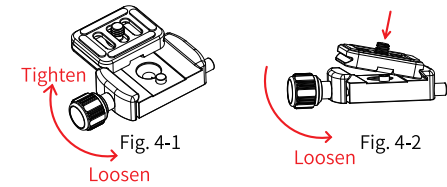


Fig. 4-1

Fig. 4-2

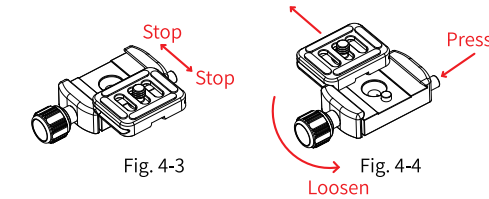


Fig. 4-3

Fig. 4-4

### 5. Operation of the Ball Head

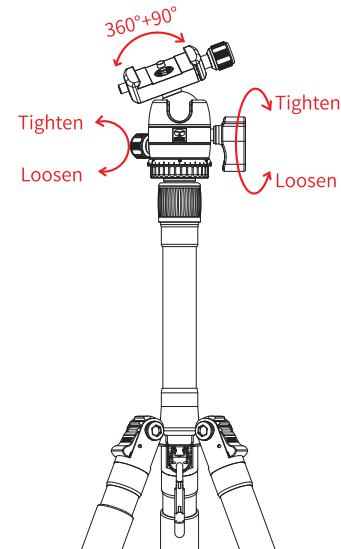


Fig. 5-1

#### 1. Know the Ball Head (Fig.1-1).

#### 2. Attaching the Ball Head

- ① If the connecting screw on your tripod is 1/4", you may need to buy a 3/8" screw separately.
- ② As Fig.2-1 and Fig.2-2, align the 3/8" screw hole at the bottom of the Ball Head base to the 3/8" screw on the tripod, turn the ball head base clockwise until it's tight.

#### 3. Know the Quick Release Clamp and Quick Release Plate (Fig.3-1).

#### 4. Install and Remove the Quick Release Plate

- ① Attaching the Camera onto the Quick Release Plate  
Select a suitable Quick Release Plate according to the feature of your camera base. Do not remove the camera from the Quick Release Plate frequently to avoid damage to the screw hole. (Note: If the Quick Release Plate has to keep on the camera for long time, please use the included Allen Key to tighten it.)
- ② Attaching the Quick Release Plate  
As Fig.4-1, loosen the Clamp Locking Knob by turning it counter-clockwise, push the Quick Release Plate into the clamp from the side and lock the Clamp Locking Knob by turning clockwise. As Fig.4-2, you can also loosen the Clamp Locking Knob completely by turning counter-clockwise to attach the Plate from the top, and tighten the Clamp Locking Knob by turning clockwise.

#### ③ Safety Lock Pin

As Fig.4-3, the Quick Release Clamp has a Safety Lock Pin on top to prevent your Quick Release Plate and camera from falling off when the Plate is loosened.

#### ④ Removing the Quick Release Plate

As Fig. 4-4, loosen the Clamp Locking Knob, press the Security Button completely to get the Quick Release Plate out. You can also loosen the Clamp Locking Knob to the fully open position and get the Quick Release Plate out from the top.

#### 5. Operation

- ① Attach the Camera with Quick Release Plate onto the Ball Head.
- ② Move the Ball Head to the desired position and lock the Main Locking Knob (as Fig.5-1).

※ Specifications of products may be changed without notice.

### WARRANTY CARD / INFORMATION

Dear SIRUI Customer,  
Thank you for your purchase of SIRUI Professional Products!  
SIRUI warrants that your purchase is free from defects in materials and workmanship under normal use during the Limited Warranty Period. The Warranty begins on the original date of purchase on your sales receipt and is not transferrable. If service is required, a copy of the sales receipt must be included with an explanation of the problem.

Product	Warranty Length
Tripods / Monopods / Accessories	6 years
Humidity Control Cabinet (Cabinet)	3 years
Humidity Control Cabinet (Electronics)	3 years

Model: \_\_\_\_\_ Date: \_\_\_\_\_

Store: \_\_\_\_\_ Serial Number: \_\_\_\_\_

Warranty coverage can differ from region to region. Please see the contact information below for product registration, information and service for the region the product was purchased in.

SIRUI 6 (six) Year Limited Warranty (3 Year Warranty for Electronic Parts). This warranty shall be limited to repair, adjustment and/or replacement at SIRUI or its authorized distributors option, of defective parts, free of charge (except the cost of transportation to the distributor/service center). Responsibility is limited to the actual cost of the item. Call or Email with questions and service before sending any product to the center in your region. Below is a listing of contact information for Product Registration, Service Inquiries and Questions. SIRUI will not be responsible for expenses or inconveniences, or consequential damages to equipment, or by breach of any expressed or implied warranties.

#### Limitations:

- Warranty is not transferable.
- This warranty covers all defects encountered in normal use of the equipment and does not apply in the following cases:
  - 1. If the equipment has been serviced by other than an authorized SIRUI Service Center.
  - 2. Damage to the equipment is due to modification (including but not limited to, the removal of ballhead clamps), overloading, mishandling, abuse, accident, sand\*, corrosives, water damage\* or not following operating instructions.
  - 3. No valid proof of purchase is provided.
  - 4. Damage caused by acts of nature (including, but not limited to fires, floods or earthquakes).

Warranty coverage can differ from region to region. Please see contact information below for product registration, information and service for the region the product was purchased in.

Warranty Address and Contact Information:  
(Please contact the seller or the local distributor where the product was purchased for warranty issues or questions and before any product is sent.)

1. Guangdong SIRUI Optical Co., Ltd.  
The Third Industrial District, Wuguishan Town, Zhongshan City, Guangdong, China  
Tel: 0086-760-88897373 Fax: 0086-760-88207062  
Http://www.sirui.com E-mail: info@sirui-photo.com  
Service Hotline: 0086-400 830 2299  
Complaint Hotline: +86-181 6563 9388  
(Monday to Friday: 8:15am~12:15pm, 14:00pm~18:00pm)

2. SIRUI USA, LLC  
Add: 29 Commerce Court Verona, NJ 07044  
www.sirui.com  
Service: Toll Free 866-373-0829 E-mail: info@sirui.com  
FOR PRODUCTS PURCHASED IN THE USA PLEASE SEE:  
For full details on USA Warranty Terms and Limitations:  
https://www.siruiusa.com/warranty.html  
To register products: https://www.siruiusa.com/product-registration.html

3. European Service Center  
Add: SIRUI Optical GmbH • Ernst-Augustin-Str.1a • 12489 Berlin • Germany  
Phone: +49 30 991 94 94 00 • Email: info@siruioptical.eu

Model	Height	Weight	Maximum Load
B-00B	29/1.15	70/2.76	0.205/0.45
B-00R	29/1.15	70/2.76	0.205/0.45
B-00K	29/1.15	70/2.76	0.205/0.45



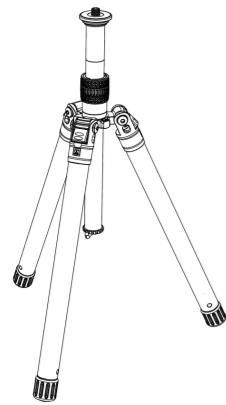
### B-00 Series Ball Head Data Chart



影像随心 思锐随行

# 使用说明

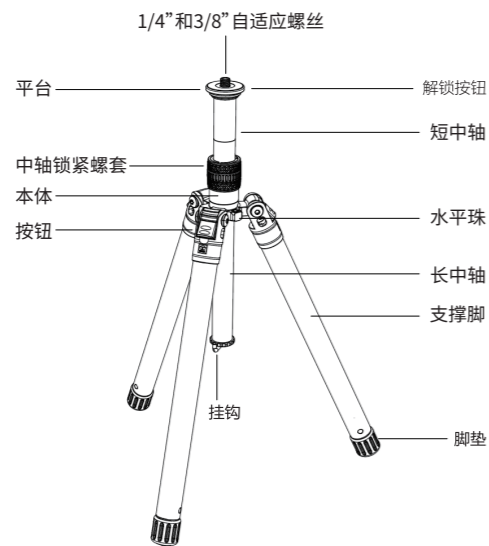
## AT-125 三脚架



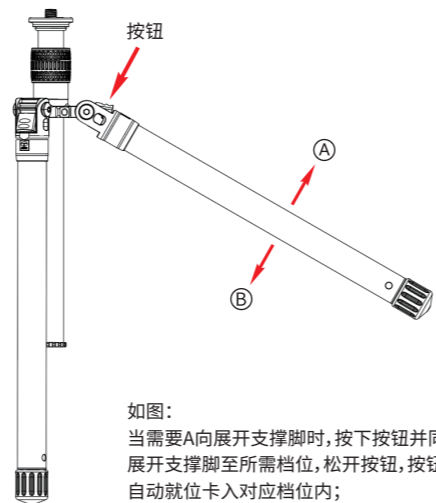
广东思锐光学股份有限公司

地址: 广东省中山市五桂山第三工业区 邮编: 528458  
电话: 0760-88897373 传真: 0760-88207062 服务热线: 400 830 2299  
邮箱: info@sirui-photo.com 网址: www.sirui.com  
投诉电话: 18165639388  
(仅限工作日 8:15-12:15, 14:00-18:00)

### 1. 认识产品 图1

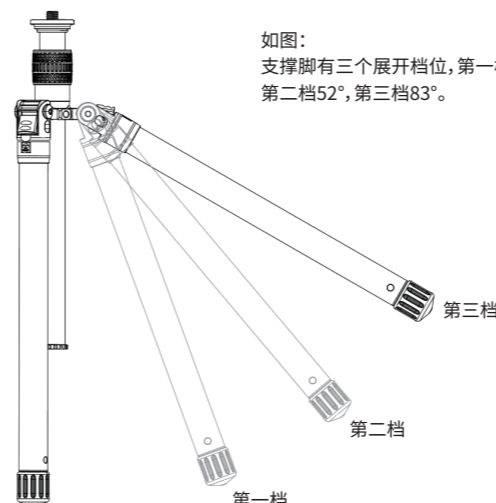


### 2. 三脚架展开角度调节 图2



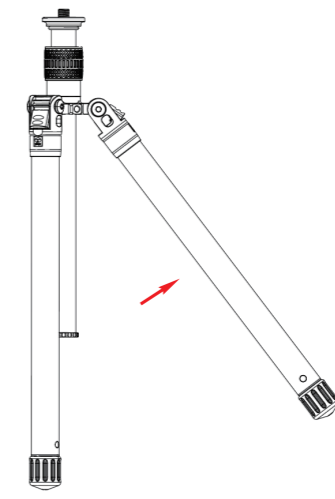
如图:  
当需要A向展开支撑脚时, 按下按钮并同时展开支撑脚至所需档位, 松开按钮, 按钮可自动就位卡入对应档位内;  
当需要B向调节档位或合拢支撑脚时, 直接B向扳动支撑脚至所需位置即可, 无需按压按钮。

### 图2

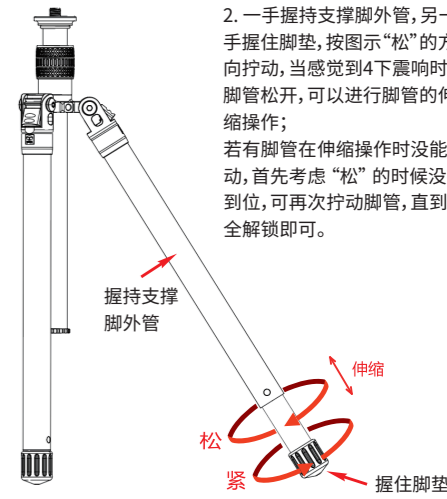


如图:  
支撑脚有三个展开档位, 第一档21°, 第二档52°, 第三档83°。

### 3. 三脚架脚管伸缩 图3

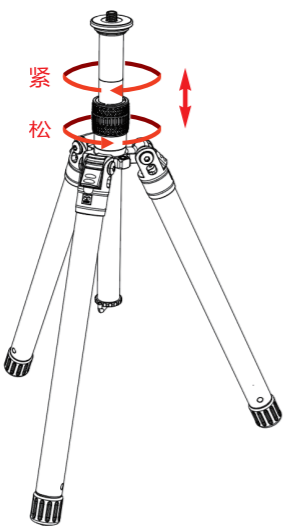


1. 展开脚管



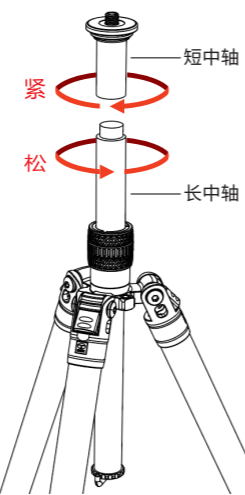
2. 一手握持支撑脚外管, 另一手握住脚垫, 按图示“松”的方向拧动, 当感觉到4下震响时, 脚管松开, 可以进行脚管的伸缩操作;  
若有脚管在伸缩操作时没能拉动, 首先考虑“松”的时候没有到位, 可再次拧动脚管, 直到完全解锁即可。  
3. 当脚管伸缩到所需位置时, 按图示“紧”的方向拧动, 感觉到锁紧的震响时, 即可锁紧脚管;  
三支脚管展开并完成锁紧操作后, 可放在地面轻压, 确定脚管锁紧后再使用。

### 4.1. 中轴的上下伸缩 图4.1



中轴锁紧螺套逆时针旋转“松”时, 中轴可上下伸缩; 调整到适合高度后顺时针旋紧。

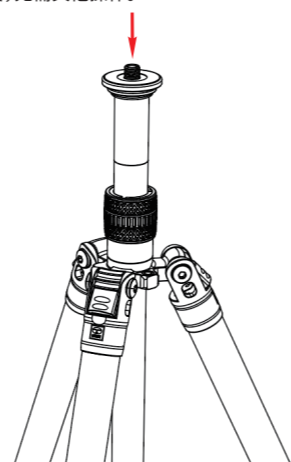
### 4.2. 短中轴与长中轴的拆装 图4.2



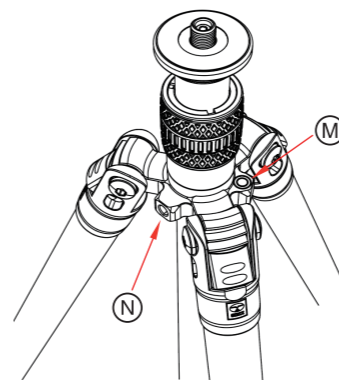
当需要单独使用短中轴时, 可按图示“松”的方向将短中轴松脱出来使用;  
当需要与长中轴组合使用时, 按图示“紧”的方向将短中轴与长中轴拧紧。

### 5. 平台1/4”与3/8”螺丝 图5

平台上的1/4”与3/8”螺丝有自适应结构, 可以直接安装1/4”螺孔或3/8”螺孔的设备, 无需其他操作。



### 6. 附件螺孔和水平珠 图6



M是水平珠, N是1/4”牙螺孔。

1. 认识产品(如图1所示);
2. 三脚架可调三种角度, 分别是21°、52°、83°, 支撑脚可竖直收合, 也可反拆收纳;
3. 三脚架支撑脚的伸缩: 按图示方向和说明, 可进行脚管的伸缩操作;
4. 按图示说明, 中轴可伸缩调整, 并可拆分长中轴和短中轴使用;
5. 平台螺丝可自动适应1/4”和3/8”螺孔;
6. 附件螺孔和水平珠(如图所示)。

#### 注意事项:

- ⚠ 不要超过最大的制定负重(请参考个别产品说明);
- ⚠ 当使用产品时, 时常锁紧其安全装置;
- ☀ 切勿在温度低于零下40摄氏度及高于100摄氏度使用, 当在潮湿、沙地、布满尘埃的环境下使用后, 谨记将产品弄干及清洁, 不建议在海水中使用;
- ☀ 切勿将产品长时间放在太阳下暴晒及避免高温环境, 例如长时间放在车厢内或玻璃后;
- 🚶 在公众地方使用时, 如在没有人照料下, 切勿留下设备而引致其他公众不便;
- 🚶 建议在运输过程中, 将设备(例如相机)从脚架上移除;
- 🧴 使用温和清洁剂及柔软毛巾清洁, 将尘埃及沙粒从所有锁制及活动部件清除;
- 🔋 除非有需要, 此设备无需定期添加润滑油, 如确实需要时, 请使用标准润滑油或油蜡;
- ⚡ 为自身安全着想, 切勿将产品接触任何电源。

#### 温馨提醒

\* 在使用脚架拍摄且需要移动位置时, 请将相机从三脚架上取下, 切勿将相机装在脚架上一起移动, 剧烈的晃动(特别是安装了长焦镜头的相机)可能会使转接螺丝断裂, 进而损坏相机。

#### 三脚架参数表

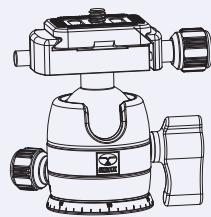
最大负重	kg	10
自身重量	kg	0.66
收缩高度	mm	354
最大高度	mm	1450
不开中轴高	mm	1235
最小高度	mm	120
最小管径	mm	13
最大管径	mm	25
节数		5
AT-125		



影像随心 思锐随行

# 使用说明

## B-00系列 球形云台



SIRUI中文官网

广东思锐光学股份有限公司

地址: 广东省中山市五桂山第三工业区 邮编: 528458  
电话: 0760-88897373 传真: 0760-88207062 服务热线: 400 830 2299  
邮箱: info@sirui-photo.com 网址: www.sirui.com  
投诉电话: 18165639388  
(仅限工作日 8:15-12:15, 14:00-18:00)

### 1. 认识云台

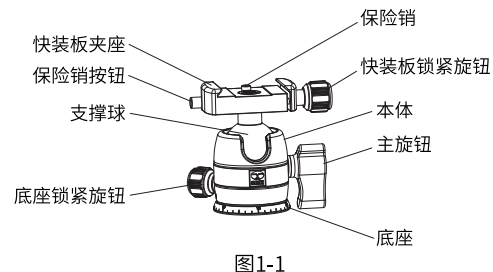


图1-1

### 2. 安装云台

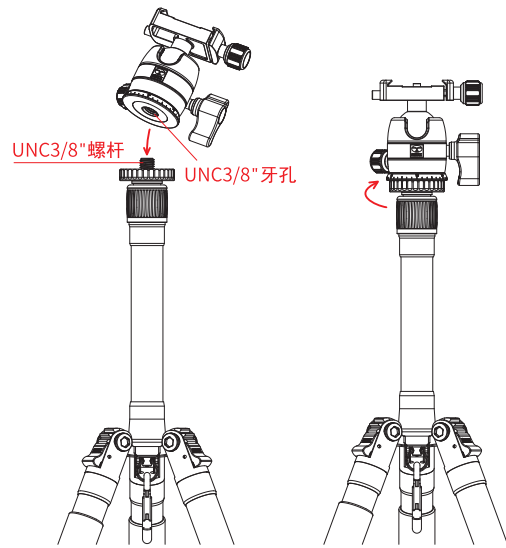


图2-1

图2-2

### 3. 认识快装板和快装板夹座

#### (1) 快装板

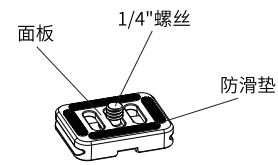


图3-1

#### (2) 快装板夹座

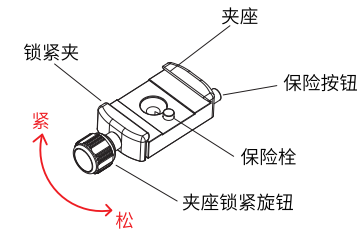


图3-2

### 4. 快装板的安装拆卸

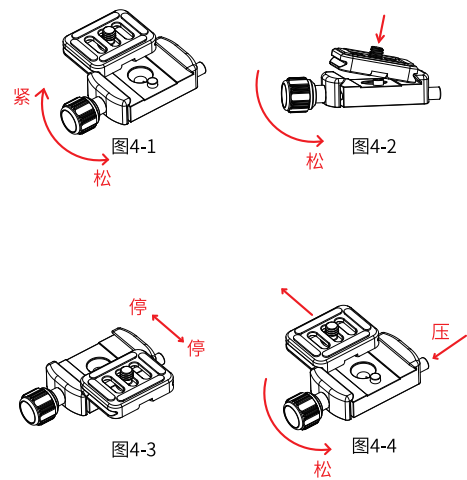


图4-1

图4-2

图4-3

图4-4

### 5. 云台基本操作

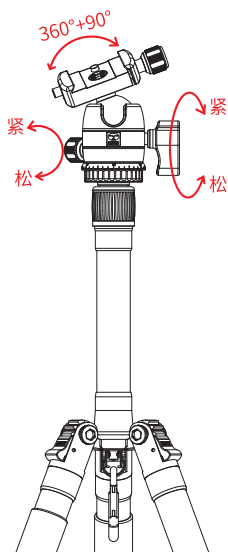


图5-1

1. 认识产品(如图1-1所示)。

2. 安装云台:

①如果您的三脚架上为UNC1/4"连接螺丝,那么您需要另外购买一颗UNC3/8"的连接螺丝。

②如图2-1、图2-2所示,把云台底部的UNC3/8"螺丝孔对准脚架上的UNC3/8"螺丝,然后顺时针旋转云台底座至牢固锁紧为止。

3. 认识快装板夹座和快装板(如图3-1所示)。

4. 快装板的安装拆卸:

①固定相机

根据您的相机底部特点,选用合适的快装板,建议不要经常从相机上拆装快装板,以避免损坏相机的安装螺丝孔。(注:若快装板长期安装在相机上时,用手拧紧后再用随产品配送的内六角扳手夹紧即可。)

②安装快装板

如图4-1所示,把夹座锁紧旋钮逆时针方向松开,然后把快装板从夹座的侧面推入并顺时针旋紧夹座锁紧旋钮。也可以从逆时针方向把夹座锁紧旋钮旋松到底后,如图4-2所示,从平台上方装入后,再顺时针旋紧夹座锁紧旋钮。

③快装板保险装置介绍

如图4-3所示,快装板夹座对快装板具有保险限位作用,防止不小心松开夹座锁紧旋钮导致快装板意外脱落,损坏相机。

④快装板的拆卸

如图4-4所示,夹座上具有防止快装板意外脱落的保险栓,当需要拆卸快装板时,先松开夹座锁紧旋钮,然后按下保险按钮至底即可方便的取出快装板。也可以松开锁紧旋钮到一定位置,快装板从上方取出。

5. 基本操作:

①在云台上安装已连接快装板的相机,并用手扶住相机。

②在支撑球有合适阻尼的情况下晃动球体至您想要的拍摄位置,然后锁紧主旋钮(如图5-1所示)。

※ 思锐公司保留产品升级和由于产品升级而变更各种参数的权利,请以实物为准,恕不另行通知。印刷品上如有印刷错误或词语方面的错漏而造成不便,敬请包涵。

### 保修卡

尊敬的顾客:

感谢您购买思锐的产品!在正常使用过程中,如因器材本身的材料及工艺出现质量问题,思锐将会提供免费的保修服务。在需要保修服务时,请提供本保修卡和购买凭证(收据或发票,须有商家盖章),思锐公司售后服务热线:400 830 2299

产品名称	保修期限
脚架	6年
云台	
防潮柜本体	3年
电子部分	

产品型号: \_\_\_\_\_ 购买日期: \_\_\_\_\_  
 商店名称: \_\_\_\_\_ 商店电话: \_\_\_\_\_  
 商店地址: \_\_\_\_\_  
 商店盖章: \_\_\_\_\_

顾客须知:

- 思锐产品,享受6年免费保修(电子部分为3年),保修时间从购买之日算起;
- 所保修产品,必须是思锐正式授权的经销商或电子商务处购买;
- 需邮寄回思锐工厂维修的,请先拨打思锐服务电话,待确认故障后,思锐公司承担来回运费。一般性故障可在7个工作日内完成维修并寄回;
- 防潮柜的保修:请先确定发生问题的部件,将该部件卸下单独邮寄回思锐工厂维修即可。具体可参照使用说明书或致电服务热线。

5. 以下情况不在保修范围:

- 超过保修期限的;
- 在非思锐正式授权经销商处购买的;
- 在未被思锐授权的代理商或维修中心维修过的;
- 由于不正当操作、意外时间、自然灾害导致的故障或损伤。

※ 本保修卡只限在中国大陆使用

### 维修登记表

用户姓名	
用户电话	
用户地址	
邮编	
故障维修描述	
维修人员签名	
维修时间	

型号	重量	高度	直径
B-00B	290g	70mm	29mm
B-00R	290g	70mm	29mm
B-00K	290g	70mm	29mm

### B-00系列云台参数表