



SD28

FEATURES

- Direct bracket torque take out
- Industry standard mount pattern fits multiple caliper sizes for vehicle commonality
- Automotive pin seals to keep out dust & debris
- Forged aluminum caliper housing
- Double acting pad springs
- Bi-directional caliper allows for simplification of vehicle BOM, lower caliper PN inventory
- Multiple piston and friction material options

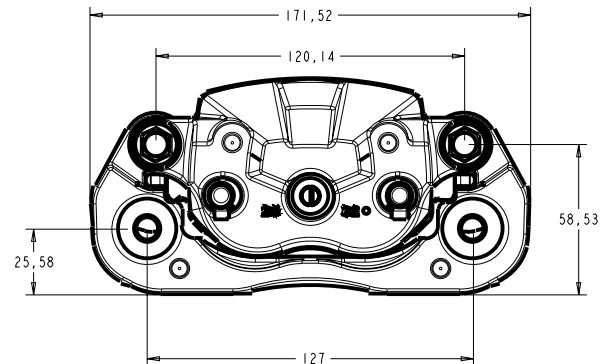


SPECIFICATIONS

| | |
|----------------------|---------|
| Max caliper pressure | 125 bar |
| Piston Diameter | 28mm |
| # pistons per side | 2 |
| MIN MU | 0.35 |
| MAX MU | 0.55 |
| MIN ROTOR DIA | 203mm |
| MAX Rotor DIA | 292mm |
| Caliper offset | 23.75mm |

Specifications are guidelines only and subject to change. Consult Hayes Performance Systems for specific model, part number, and assembly drawings -contact@hbpsi.com.

REFERENCE DIMENSIONS



TORQUE INFORMATION

