

# AQUATERRA S P A S

***Congratulations on your decision to purchase an Aquaterra spa.  
Welcome to the growing family of Aquaterra spa owners!***



## ***Pre-Delivery Guide***

Please take the time to read this booklet carefully, as it will provide you with the information you will need to ensure the safe, secure, and timely installation of your new spa. The following sections are guidelines on how to prepare for delivery and set-up of your new spa. Specifically covered are site selection, delivery access, ground preparation, and electrical requirements.

Remember to carefully review the Owner's Manual that accompanies your spa. The Owner's Manual can be found in the Owner's Package.

Watkins Wellness™ reserves the right to change features, specifications and design without notification and without incurring any obligation.

DATE PURCHASED: \_\_\_\_\_

In most cities and counties, permits will be required for the installation of electrical circuits or the construction of exterior surfaces (decks and gazebos). In addition, some communities have adopted residential barrier codes which may require fencing and/or self-closing gates on the property to prevent unsupervised access to a pool (or spa) by children under 5 years of age. Your spa is equipped with a locking cover that meets the ASTM F1346 Standard for Safety Covers and as a result, is usually exempt from most barrier requirements. As a general practice, your local Building Department will inform you of any applicable barrier requirements at the time a permit is obtained for the installation of an electrical circuit.

**For Customer Service, please call (888) 961-7727**

# Site Selection and Preparation

**IMPORTANT:** Site selection and preparation are your responsibility. Carefully read these instructions and consult your authorized dealer if you have any questions.

You probably have a spot picked out for your new spa, whether it's indoors or outdoors, on a patio or on a deck. Just make sure you check the following:

- Always put your spa on a structurally sound, level within ½" per 10' (1 cm per 3 m) surface. A filled spa can weigh a great deal. Make certain that the location you choose can support the weight of your filled spa.
- Locate your spa away from any reflective surface or glass. The heat generated by some types of double-pane windows and reflective surfaces can cause serious damage to the exterior of the spa, including the siding and cover.
- Locate your equipment compartment, which houses all of the electrical components, in a place where water will drain away from it. Allowing water into the equipment compartment can damage the electronics, or may result in tripping your house's circuit breaker.
- Leave yourself easy access to the circuit breakers in the subpanel (230 volt models), or to the GFCI on the end of the power cord (115 volt models).
- Never let water get into the subpanel (230 volt models), or into the GFCI (115 volt models), or into the electrical outlet that your spa is plugged into.
- Leave access to the equipment compartment for periodic spa care and maintenance.

## OUTDOOR AND PATIO INSTALLATION

No matter where you install your new spa, it's important that you have a solid foundation to support it. Structural damage to the spa resulting from incorrect installation or placement on an inadequate foundation is not covered under the spa's limited warranty.

If you install the spa outdoors, a reinforced concrete pad at least four inches (10 cm) thick is suggested. The reinforcing rod or mesh in the pad should be attached to a bond wire. All spas may be installed onto a deck, provided that the load capacity of the deck is greater than the dead weight of the spa.

## DECK INSTALLATION

To be certain your deck can support your spa, you must know the deck's maximum load capacity. **Consult a qualified building contractor or structural engineer before you place the spa on an elevated deck or indoors.** To find the weight of your spa, its contents and occupants, refer to the Spa Specification chart on the inside back cover of this guide. The weight per square foot must not exceed the structure's rated capacity, or serious structural damage could result.

## INDOOR INSTALLATION

Be aware of some special requirements if you place your spa indoors. Water will accumulate around the spa, so flooring materials must provide a good grip when wet. Proper drainage is essential to prevent a build-up of water around the spa. When building a new room for the spa, it is recommended that a floor drain be installed. The humidity will naturally increase with the spa installed. Water may get into woodwork and produce dry rot, mildew, or other problems. Check for airborne moisture's effects on exposed wood, paper, etc. in the room. To minimize these effects, it is best to provide plenty of ventilation to the spa area. An architect can help to determine if more ventilation must be installed.

# GROUND PREPARATION

Your spa has been engineered to perform on all kinds of common yard surfaces. While a concrete slab is best for long-term use\*, other foundations are acceptable so long as a level base is prepared prior to delivery. Three foundation base pictures, shown at right, represent examples of alternatives to a concrete slab for spas installed without gazebos or other accessories.

**NOTE:** A reinforced concrete pad at least four inches (10 cm) thick is recommended.

## INSTALLATION NOTES:

As a homeowner, it is your responsibility to provide a suitable, level foundation for your spa. Keep in mind that most delivery crews are not equipped to level and prepare spa sites.

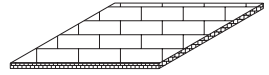
Remember, placing the spa around grass or dirt may increase the amount of debris which is inadvertently brought into the spa water on the user's feet.

**NOTE:** In order for the spa to operate properly and the internal plumbing to drain completely, you must ensure that the spa is leveled within  $\frac{1}{2}$ " per 10' (1 cm per 3 m) after it has been installed. Do not shim your spa in any manner, as this could cause the cabinet to warp, thereby voiding the warranty.

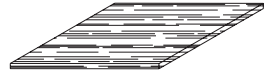
### FOUNDATIONS FOR SPAS WITH ACCESSORIES



CONCRETE PADS



BRICK SURFACES



WOOD DECKING

# DELIVERY

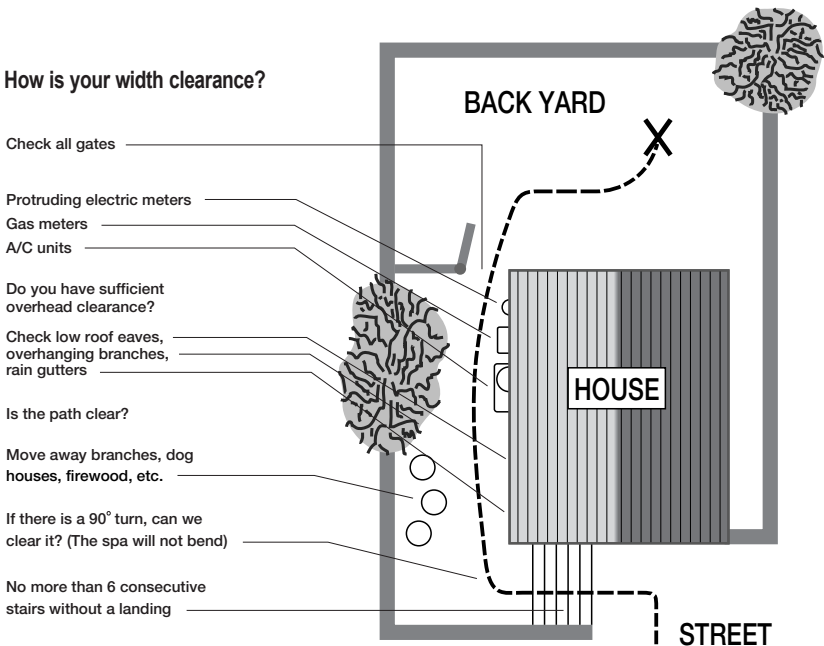
Your spa will be delivered at the end of your driveway. It is delivered on end, wrapped on a sturdy pallet for convenient placement. You will be responsible for any arrangements needed to have your spa placed in your desired location.

(For example, cranes are not considered "normal delivery".) It is recommended to consulting professionals who have experience moving large items.

## REVIEW THE ROUTE OF YOUR SPA DELIVERY:

Carefully review the route that the spa will take through your property. Make sure there is sufficient clearance. Keep the overall dimensions in mind when your spa is wrapped on a pallet. You are able to remove the hot tub from the pallet and put a 4-wheel furniture dolly underneath it to move it. In this case you will need a 3 ft wide pathway that will accommodate an approximate 7' - 7½' height clearance. Keep in mind that it will be almost 7' long, so check for clearances when turning corners.

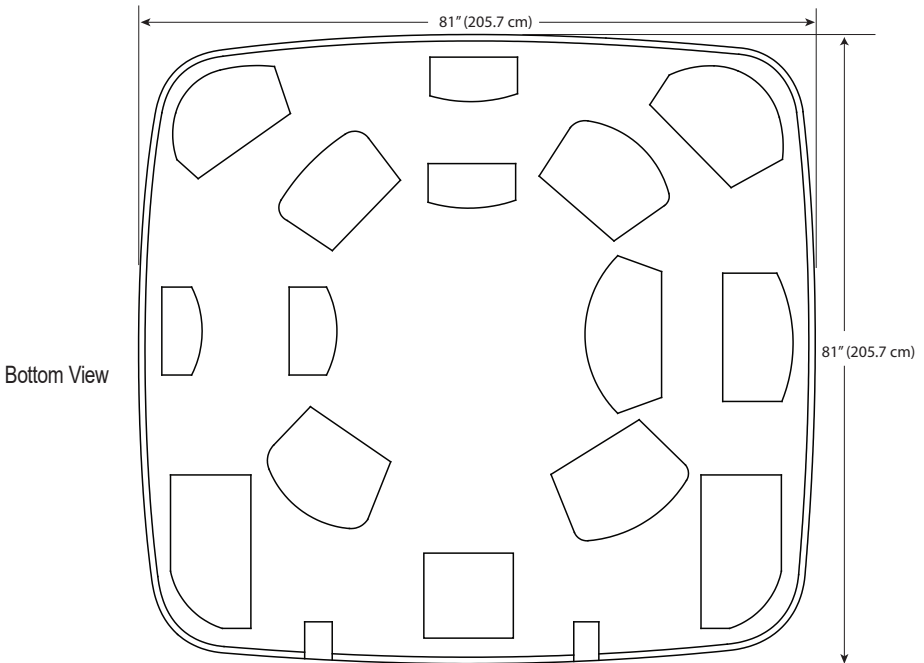
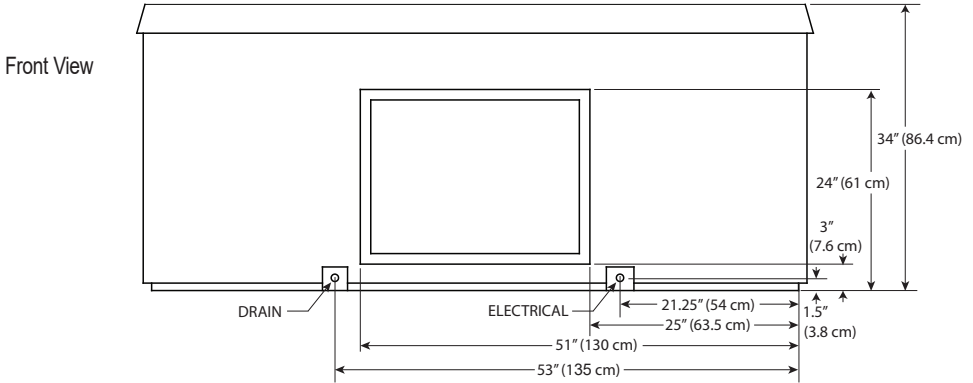
**NOTE:** The empty spa can weigh as much as 1,000 lbs. Choose the safest and most direct route possible. We recommend hiring professionals to avoid physical harm or property.



# MONTECITO™

## Dimensions

**NOTE: All dimensions are approximate; measure your spa before making critical design or pathway decisions.**

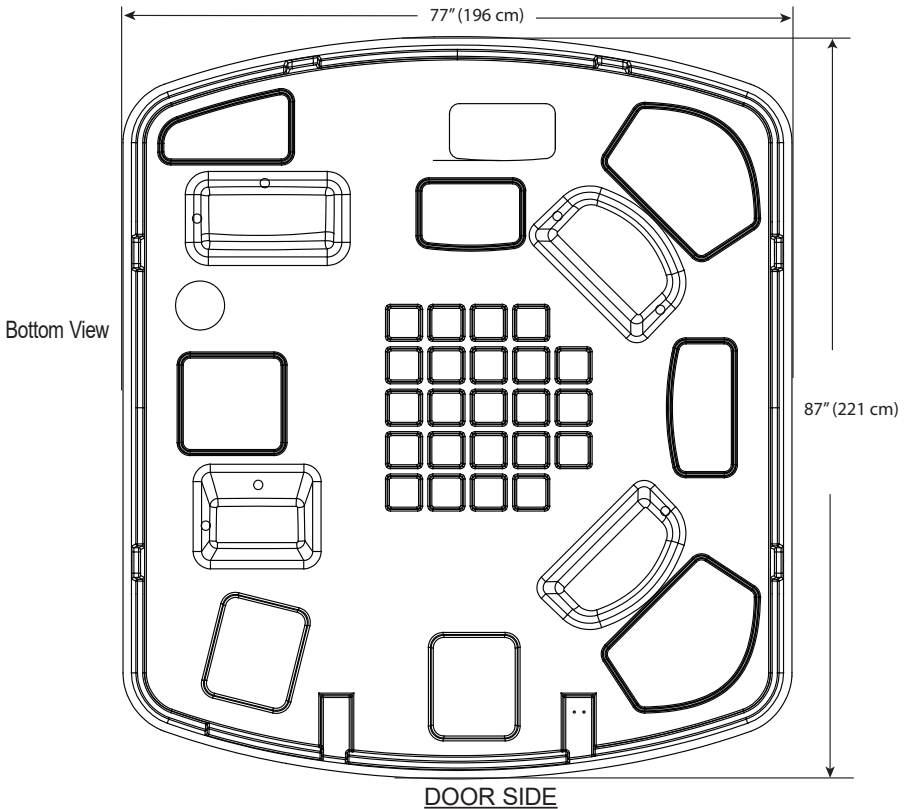
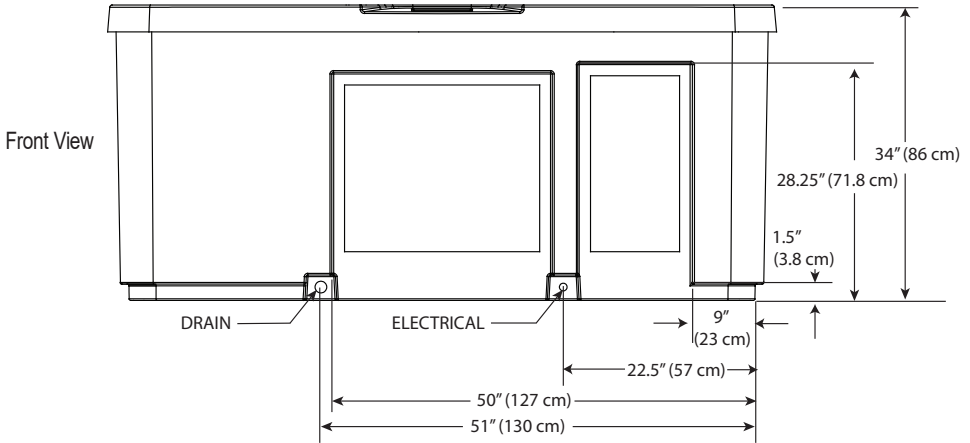


DOOR SIDE

# NAVARRO

## Dimensions

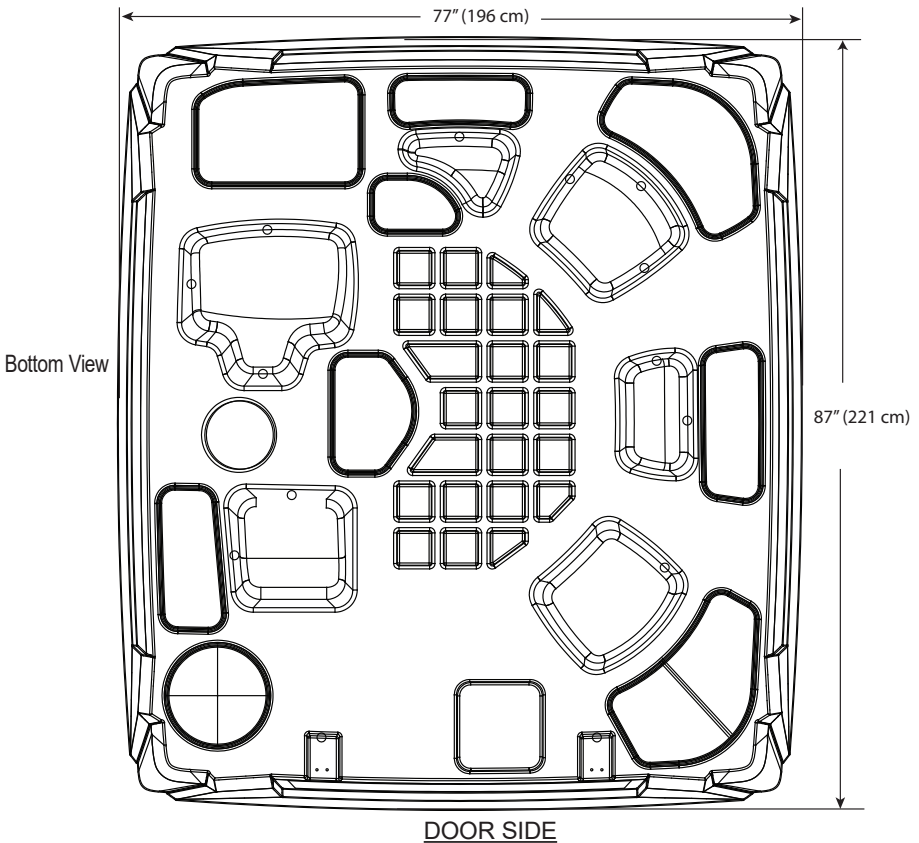
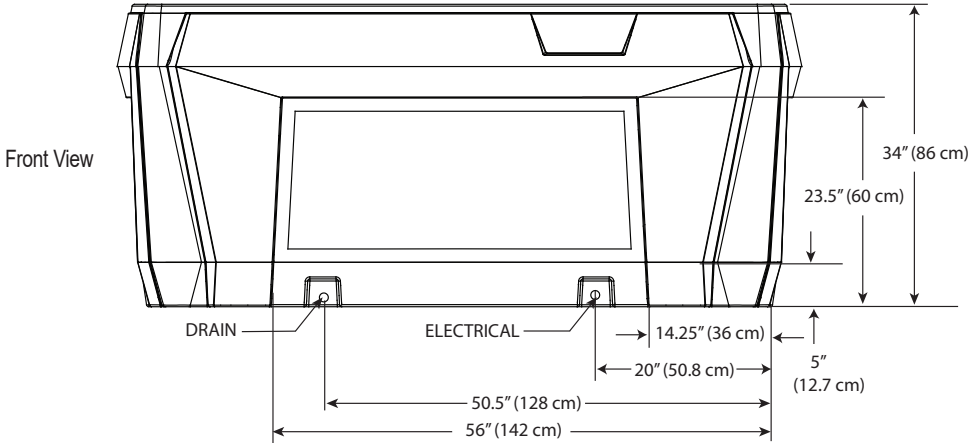
**NOTE: All dimensions are approximate; measure your spa before making critical design or pathway decisions.**



# SANIBEL™

## Dimensions

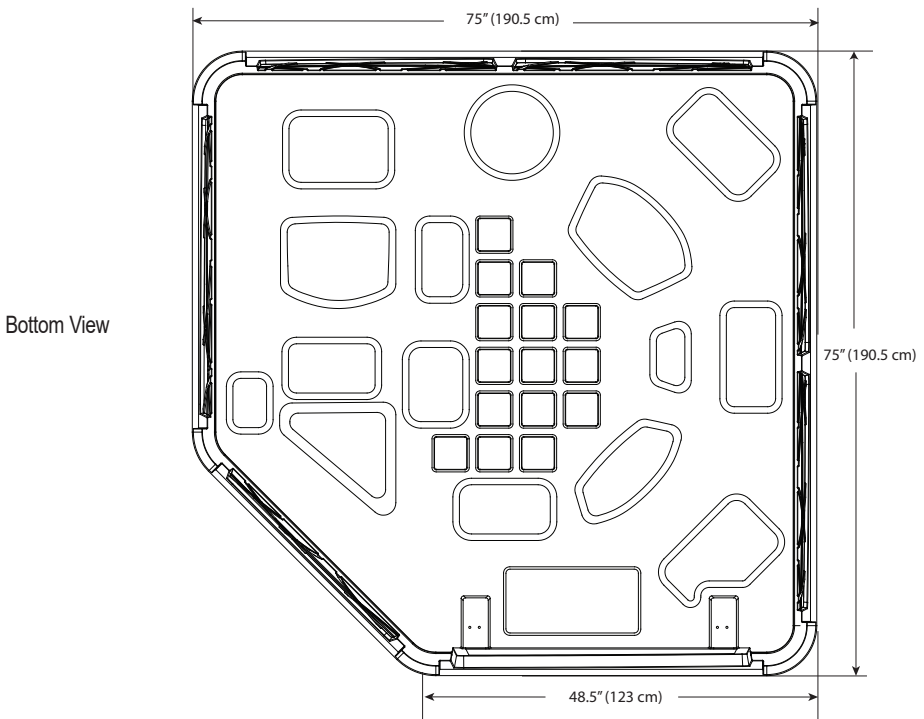
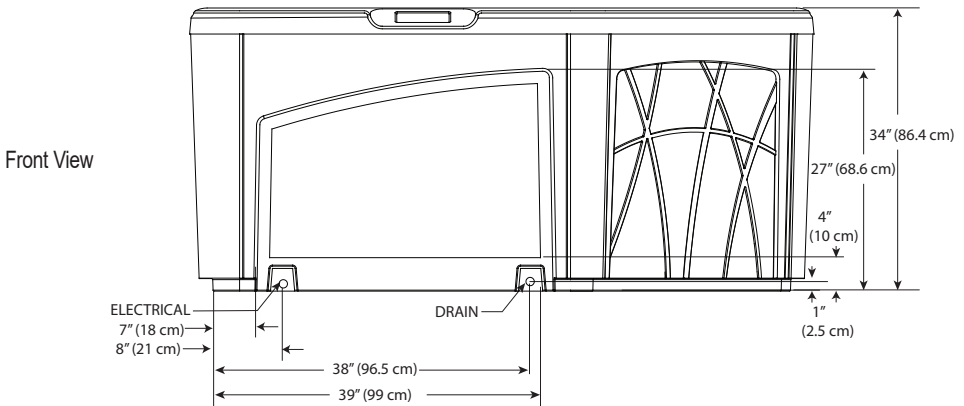
**NOTE: All dimensions are approximate; measure your spa before making critical design or pathway decisions.**



# TRANSPORT® 3.0

## Dimensions

**NOTE: All dimensions are approximate; measure your spa before making critical design or pathway decisions.**



DOOR SIDE

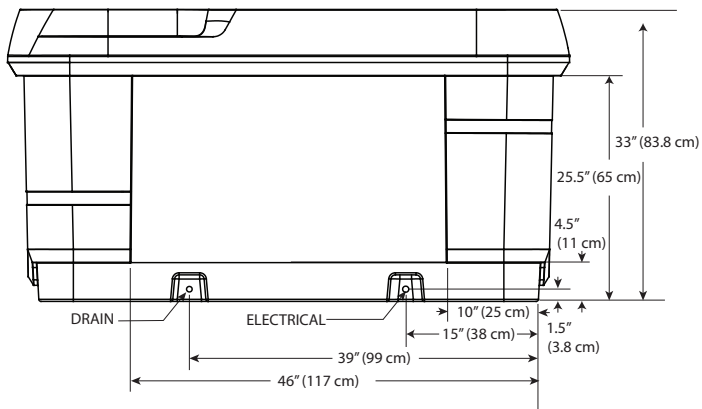


# MONTARA™

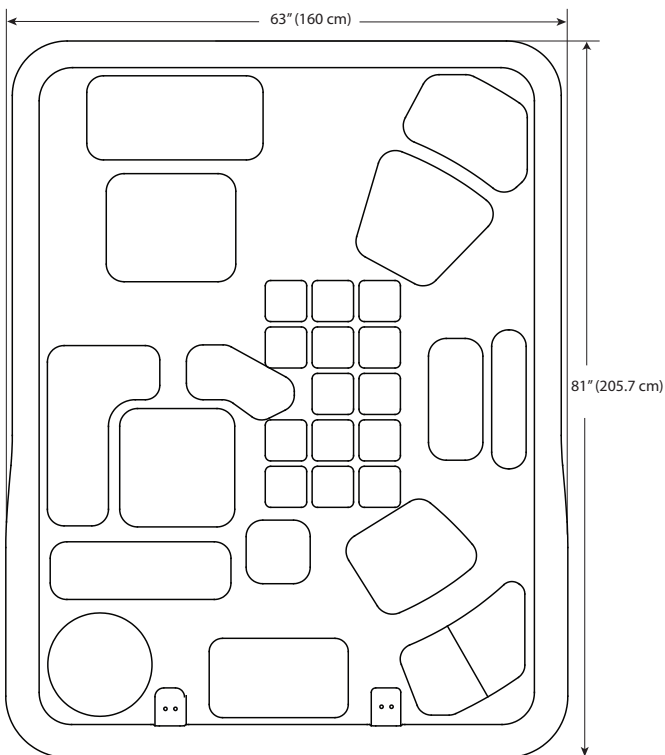
## Dimensions

**NOTE: All dimensions are approximate; measure your spa before making critical design or pathway decisions.**

Front View



Bottom View

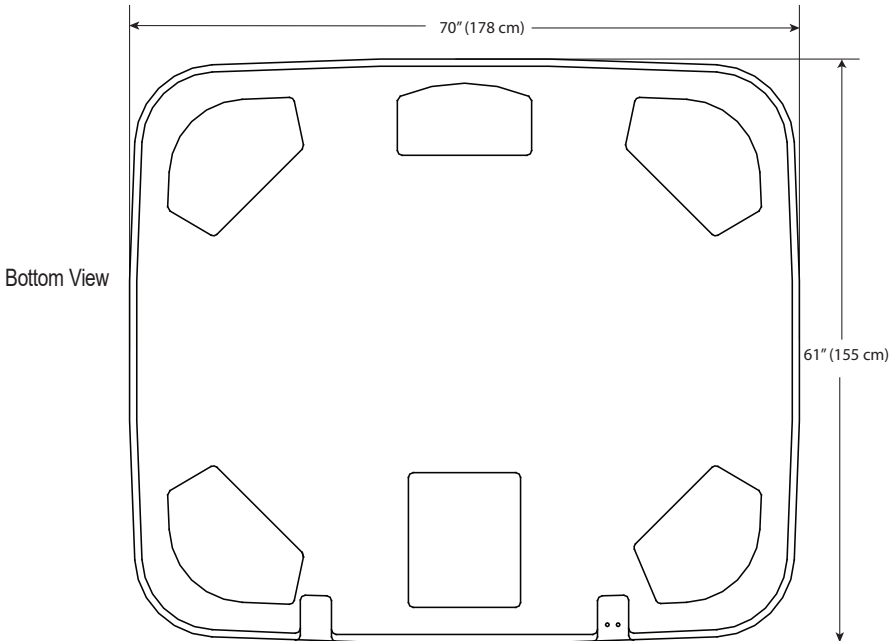
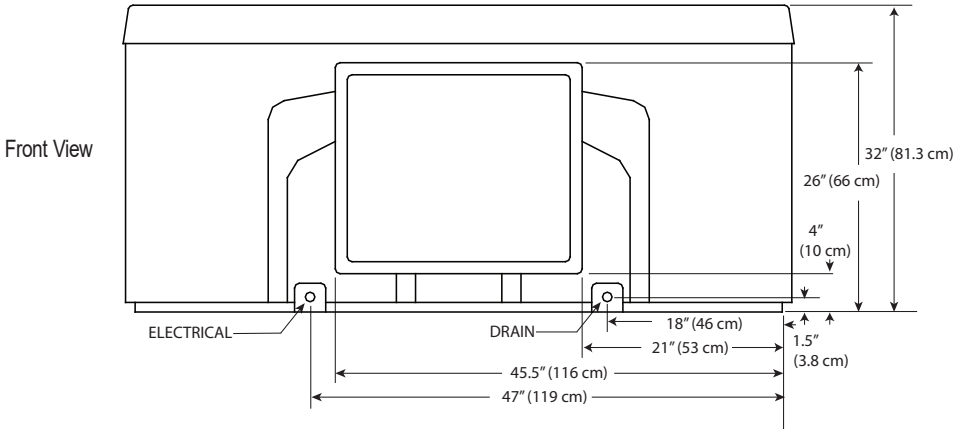


DOOR SIDE

# BENICIA™

## Dimensions

**NOTE: All dimensions are approximate; measure your spa before making critical design or pathway decisions.**

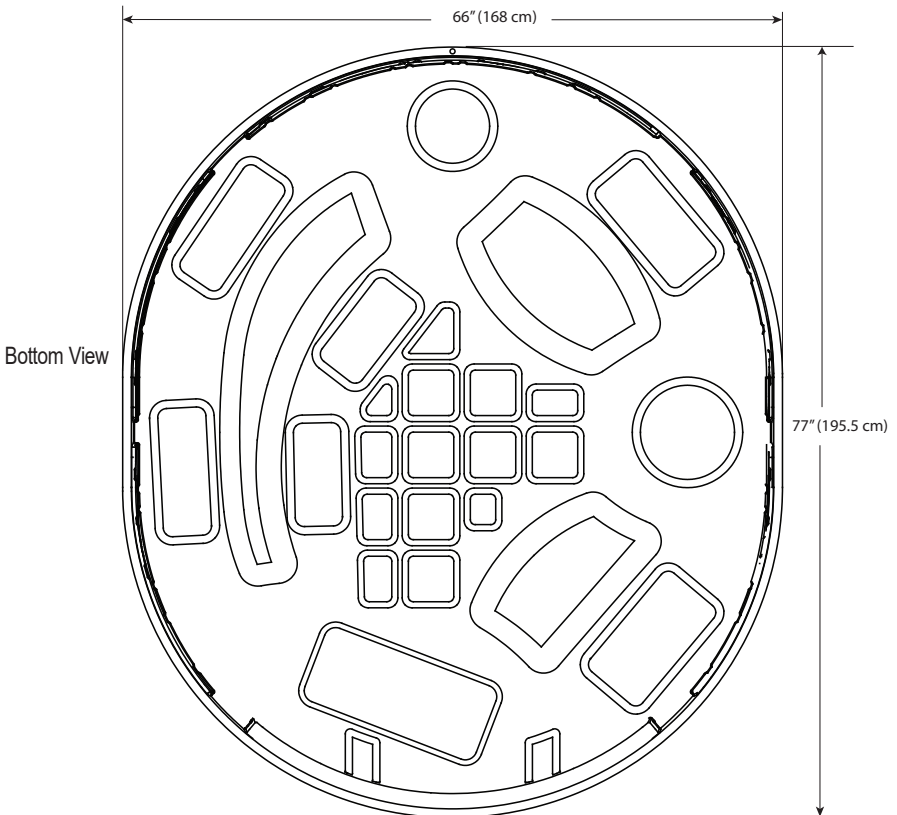
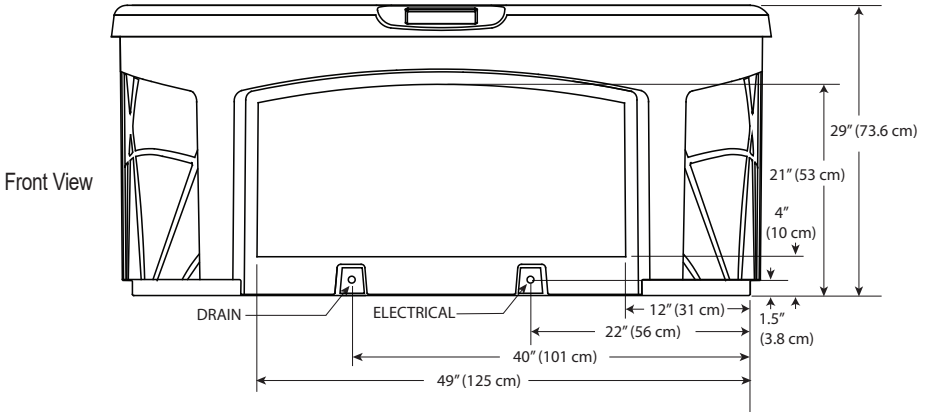


DOOR SIDE

# CALAVERA™

## Dimensions

**NOTE: All dimensions are approximate; measure your spa before making critical design or pathway decisions.**

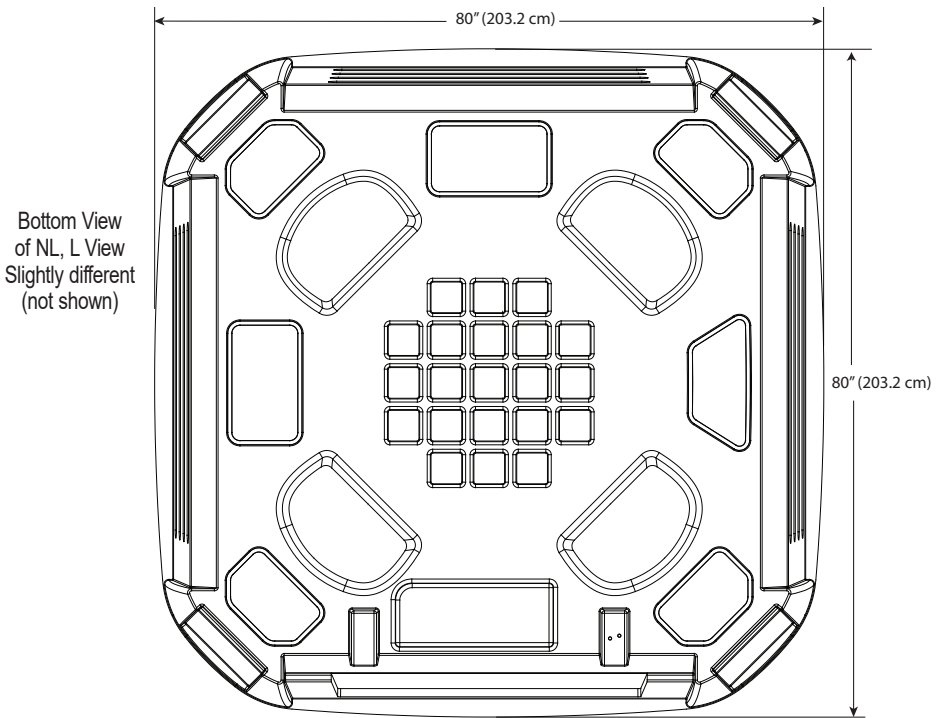
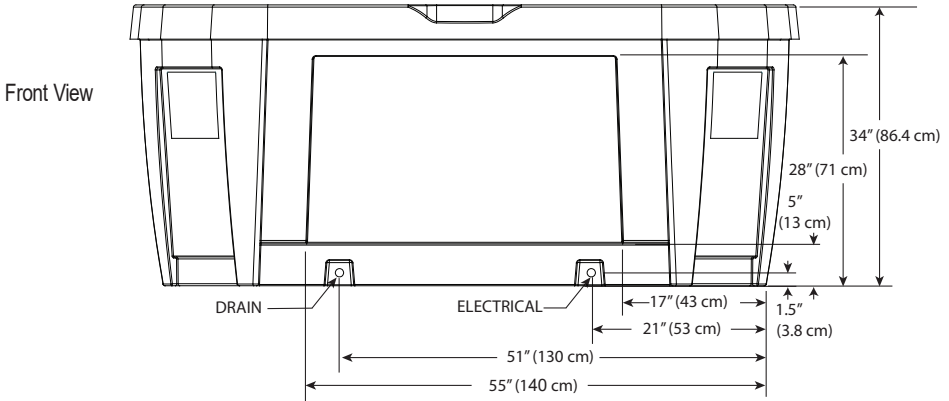


DOOR SIDE

# BRIGHTON™ NL/L

## Dimensions

**NOTE: All dimensions are approximate; measure your spa before making critical design or pathway decisions.**



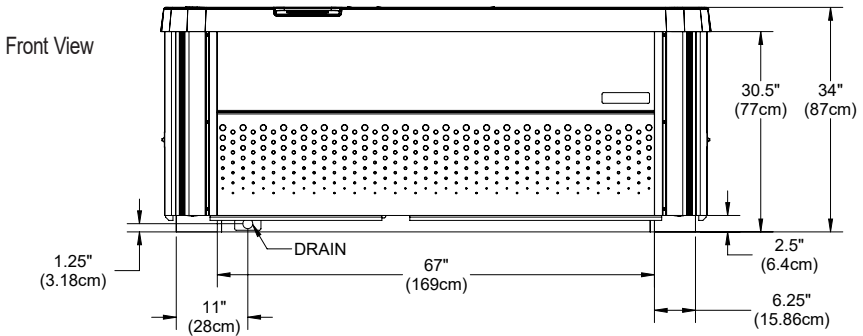
DOOR SIDE

# DEL MAR

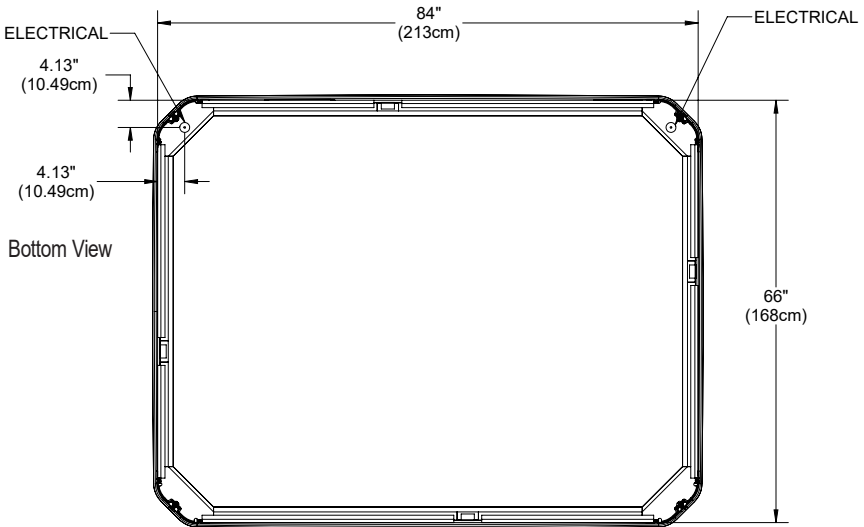
## AQT-A2355L

### Dimensions

**NOTE: All dimensions are approximate; measure your spa before making critical design or pathway decisions.**



### DOOR SIDE

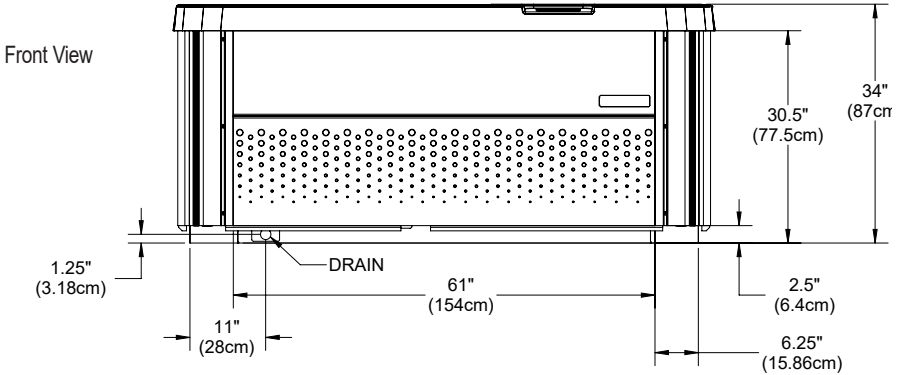


# HUNTLEY L & NL

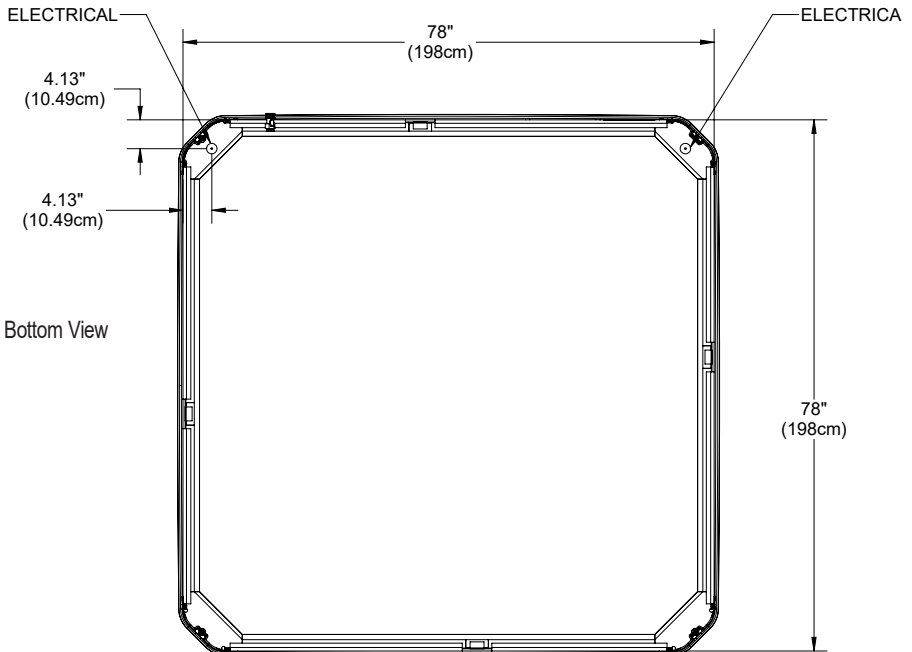
## AQT-A2360L & AQT-A2360

### Dimensions

**NOTE: All dimensions are approximate; measure your spa before making critical design or pathway decisions.**



### DOOR SIDE



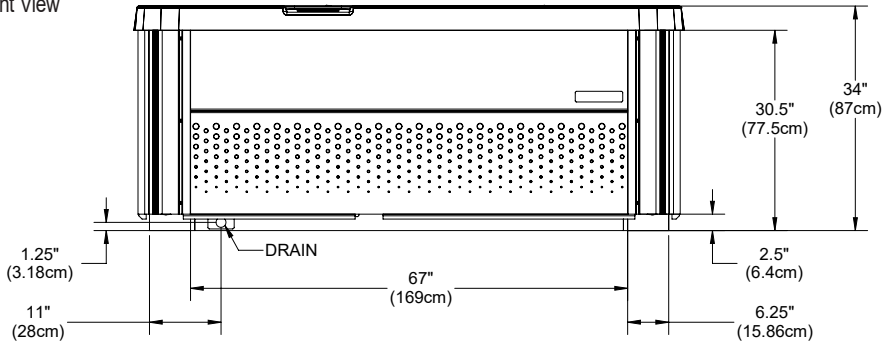
# VICEROY L & NL

## AQT-A2370L & AQT-A2370

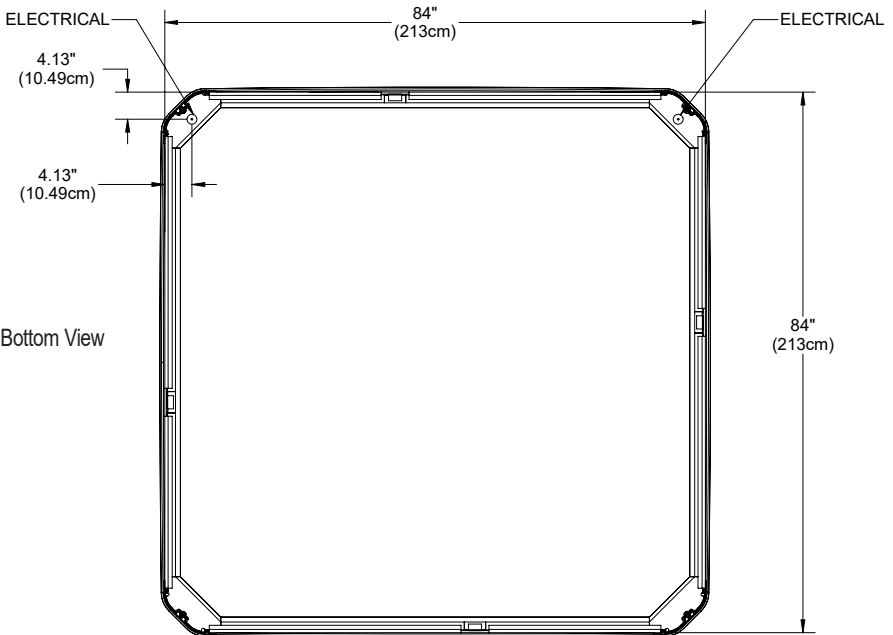
### Dimensions

**NOTE: All dimensions are approximate; measure your spa before making critical design or pathway decisions.**

Front View



### DOOR SIDE



Bottom View

# ELECTRICAL REQUIREMENTS

To ensure you will have an opportunity to use your spa soon after delivery, it is very important that the required electrical service has been installed. **THIS IS YOUR RESPONSIBILITY.**

**IMPORTANT:** All electrical circuits must be installed by a qualified, licensed electrician.

Some spa models are available as 115 volt or 230 volt convertible heating systems. These models come standard from the factory with 115 volt heating systems; however, with the addition of a subpanel and a control box wiring change, they can be converted to 230 volt operation. See the following sections for the electrical requirements for 115 volt operation, and 230 volt converted operation.

## 115 VOLT 15 AMP OPERATION REQUIREMENTS

**Cord Connected Models:** The heater will provide approximately 1000 watts of heat only when the pump is operating in LOW speed and the thermostat is calling for heat. **NOTE:** The heater does not operate when the pump is on high speed.

It is highly recommended that the 115 volt spa models be on a dedicated 15 amp, 115 volt circuit.

Each 115 volt model comes equipped with approximately 13 feet (4 m) of usable power cord. (This is the maximum length allowed by ETL.) When the spa is installed, the power cord will come out of the bottom of the equipment compartment.

In addition to the dedicated 15 amp, 115 volt GFCI protected circuit, your spa requires a 15 amp single receptacle. This receptacle should contain an outdoor-rated, weather-resistant receptacle cover plate. The single receptacle and cover plate should be installed by your electrician prior to the delivery of your spa.

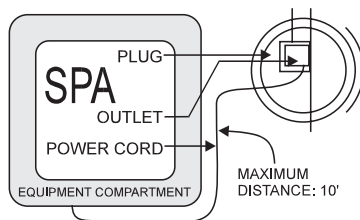
For your safety, when your electrician is installing the electrical outlet, it should be no closer than six feet (1.8 m) and no farther than ten feet (3 m) from the spa. (Reference National Electric Code)

**WARNING:** Do not connect your spa to an extension cord!

The 115 volt GFCI switch and the receptacle must be protected from weather and landscape sprinklers—they should never get wet.

Your spa has been carefully engineered to provide maximum safety against electric shock. Remember, connecting the spa to an improperly wired circuit will negate many of its safety features.

MINIMUM DISTANCE AFTER SPA INSTALLATION: 6'



## 115 VOLT 30 AMP CONVERSION REQUIREMENTS

**Benefit when converting to a 30 amp system:** The heater will provide approximately 1000 watts of heat when the pump is operating in LOW or HIGH speed and the thermostat is calling for heat.

All converted models require a 30 amp, single phase, 115 volt circuit breaker in the main electrical service panel.

All converted spas must be wired in accordance with applicable local and national electrical codes. All electrical work must be done by a licensed electrician.

**NOTE:** THIS CONVERSION REQUIRES THE USE OF A SUBPANEL TO SUPPLY POWER AND PROTECT THE SPA. The subpanel containing a GFCI breaker must be purchased separately.

## 230 VOLT 50 AMP REQUIREMENTS

**Benefit when having or converting to a 230V 50 amp system:** The heater will provide approximately 4000 watts of heat when the pump is operating in LOW or HIGH speed and the thermostat is calling for heat.

All 230 volt models require a 50 amp, single phase, 230 volt circuit breaker in the main electrical service panel.

All 230 volt spas must be wired in accordance with applicable local and national electrical codes. All electrical work must be done by a licensed electrician.

**NOTE:** A CONVERSION MODEL REQUIRES THE USE OF A SUBPANEL TO SUPPLY POWER AND PROTECT THE SPA. The subpanel containing a GFCI breaker must be purchased separately.



A licensed electrician should install a four-wire electrical service (two line voltages, one neutral, one ground) from the main electrical service panel to the subpanel, and from the sub-panel to the spa per the appropriate wiring diagram as illustrated below.

Your electrician should mount the subpanel in the vicinity of the spa but it should not be closer than five (5) feet from the spa water edge.

**INSTALLATION NOTE:** After the spa has been installed, your electrician can connect the conduit from the subpanel to the spa's control box and then complete the wiring connections in the control box.

**NOTE:** Complete step-by-step Installation and Wiring Instructions for 230 volt configuration are included in the Owner's Manual and with each sub-panel.

**WARNING:** Removing or bypassing the GFCI breakers in the subpanel at any time will result in an unsafe spa and will void the warranty.

**WIRE SPECIFICATION NOTE:** Long electrical runs may require a larger gauge feed wire than stated. All wiring must be copper to ensure adequate connections. Do not use aluminum wire.

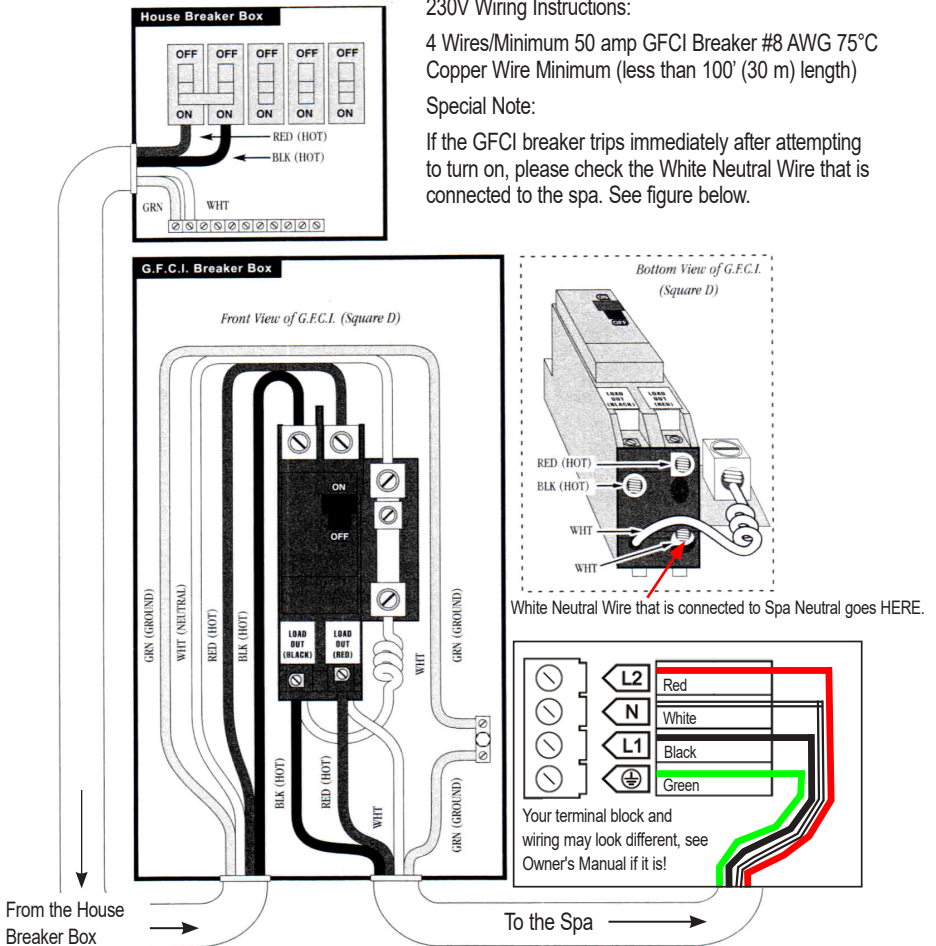
Refer to the Wiring Diagrams below for the electrical requirements of the 230 volt models.

**230V Wiring Instructions:**

4 Wires/Minimum 50 amp GFCI Breaker #8 AWG 75°C Copper Wire Minimum (less than 100' (30 m) length)

**Special Note:**

If the GFCI breaker trips immediately after attempting to turn on, please check the White Neutral Wire that is connected to the spa. See figure below.



# Spa Specifications

Spa Model (Seating)	Footprint Dimension	Height	Effective Filter Area	Heater (Watts)	Water Capacity	Dry Weight	Filled Weight*	Electrical Requirements
<b>MONTECITO™</b> (7 Person)	81" x 81"	34"	50 ft²	4,000	300 gal	480 lbs	4,234 lbs	230 volt, 50 amp GFCI protected circuit
<b>NAVARRO™</b> (6 Person)	77" x 87"	34"	50 ft²	4,000	305 gal	480 lbs	4,101 lbs	230 volt, 50 amp GFCI protected circuit
<b>SANIBEL™</b> (5 Person)	77" x 87"	34"	50 ft²	4,000	340 gal	430 lbs	4,171 lbs	230 volt, 50 amp GFCI protected circuit
<b>**TRANSPORT®</b> <b>3.0</b> (4 Person)	75" x 75"	34"	50 ft²	1,000 or 4,000	275 gal	400 lbs	3,418 lbs	115 volt, 15 amp or 230 volt 50 amp GFCI protected circuit
<b>**MONTARA™</b> (4 Person)	81"x 63"	33"	50 ft²	1,000 or 4,000	245 gal	365 lbs	3,130 lbs	115 volt, 15 amp or 230 volt 50 amp GFCI protected circuit
<b>**BENICIA™</b> (4 Person)	70"x 61"	32"	50 ft²	1,000 or 4,000	200 gal	270 lbs	2,656 lbs	115 volt, 15 amp or 230 volt 50 amp GFCI protected circuit
<b>**CALAVERA™</b> (4 Person)	77"x 66"	29"	25 ft²	1,000 or 4,000	220 gal	300 lbs	2,855 lbs	115 volt, 15 amp or 230 volt 50 amp GFCI protected circuit
<b>**BRIGHTON™ NL</b> (6 Person)	80" x 80"	34"	50 ft²	1,000 or 4,000	290 gal	385 lbs	3,880 lbs	115 volt, 15 amp or 230 volt 50 amp GFCI protected circuit
<b>**BRIGHTON™ L</b> (5 Person)	80" x 80"	34"	50 ft²	1,000 or 4,000	290 gal	390 lbs	3,710 lbs	115 volt, 15 amp or 230 volt 50 amp GFCI protected circuit

**CAUTION: WATKINS WELLNESS** suggests a structural engineer or contractor be consulted before the spa is placed on an elevated deck.

\* **NOTE:** The "Filled Weight" of the spa includes the weight of the occupants (assuming an average occupant weight of 175 lbs).

\*\* Spas may be converted to 115 Volts 30 amps requiring a 30 amp service.

# Spa Specifications - Continue

Spa Model (Seating)	Footprint Dimension	Height	Effective Filter Area	Heater (Watts)	Water Capacity	Dry Weight	Filled Weight*	Electrical Requirements
<b>Del Mar</b> AQT-A2355L (3 Person)	66" x 84"	34"	50 ft <sup>2</sup>	1,000 or 4,000	217 gal	582 lbs	2,936 lbs	115 volt, 15 amp or 230 volt 50 amp GFCI protected circuit
<b>Huntley L</b> AQT-A2360L (5 Person)	78" x 78"	34"	50 ft <sup>2</sup>	4,000	255 gal	683 lbs	3,708 lbs	230 volt, 50 amp GFCI protected circuit
<b>Huntley NL</b> AQT-A2360 (7 Person)	78" x 78"	34"	50 ft <sup>2</sup>	4,000	268 gal	681 lbs	4,165 lbs	230 volt, 50 amp GFCI protected circuit
<b>Viceroy L</b> AQT-A2370L (6 Person)	84" x 84"	34"	50 ft <sup>2</sup>	4,000	322 gal	807 lbs	4,571 lbs	230 volt, 50 amp GFCI protected circuit
<b>Viceroy NL</b> AQT-A2370 (7 Person)	84" x 84"	34"	50 ft <sup>2</sup>	4,000	346 gal	805 lbs	4,947 lbs	230 volt, 50 amp GFCI protected circuit

**CAUTION: WATKINS WELLNESS** suggests a structural engineer or contractor be consulted before the spa is placed on an elevated deck.

\* **NOTE:** The "Filled Weight" of the spa includes the weight of the occupants (assuming an average occupant weight of 175 lbs).

# AQUATERRA

S P A S

1280 Park Center Drive

Vista, California 92081

(888) 772-4359

email: [AHService@watkinsmfg.com](mailto:AHService@watkinsmfg.com)

©2024 WATKINS WELLNESS.

