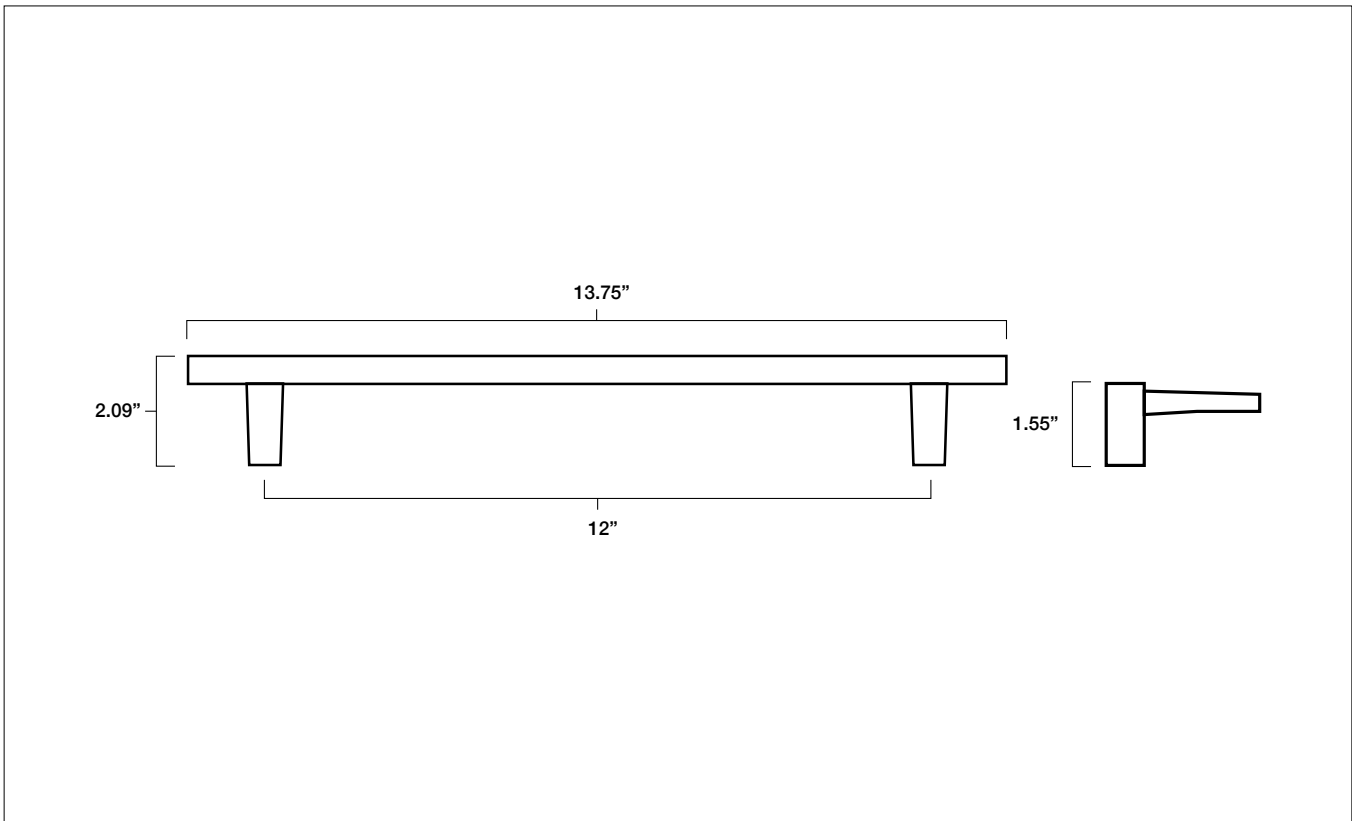




## HALF MOON 12" APPLIANCE PULL

### Tech Spec



FINISH	SKU	ALSO INCLUDED
Matte Black Polished Chrome Polished Nickel Satin Brass Satin Nickel	HM1022-MB HM1022-PC HM1022-PN HM1022-SB HM1022-SN	(2) 1/4" -20, 1.25" Phillips head screws (2) 1/4" -20, 1.75" Phillips head screws

**CARE INSTRUCTIONS:**

Gentle is key. Clean your hardware with a soft, damp cloth, and wipe completely dry. Do not leave any water or soap residue on your product. Never use any chemicals or harsh over-the-counter cleaners, as these will strip the finish and void your warranty.