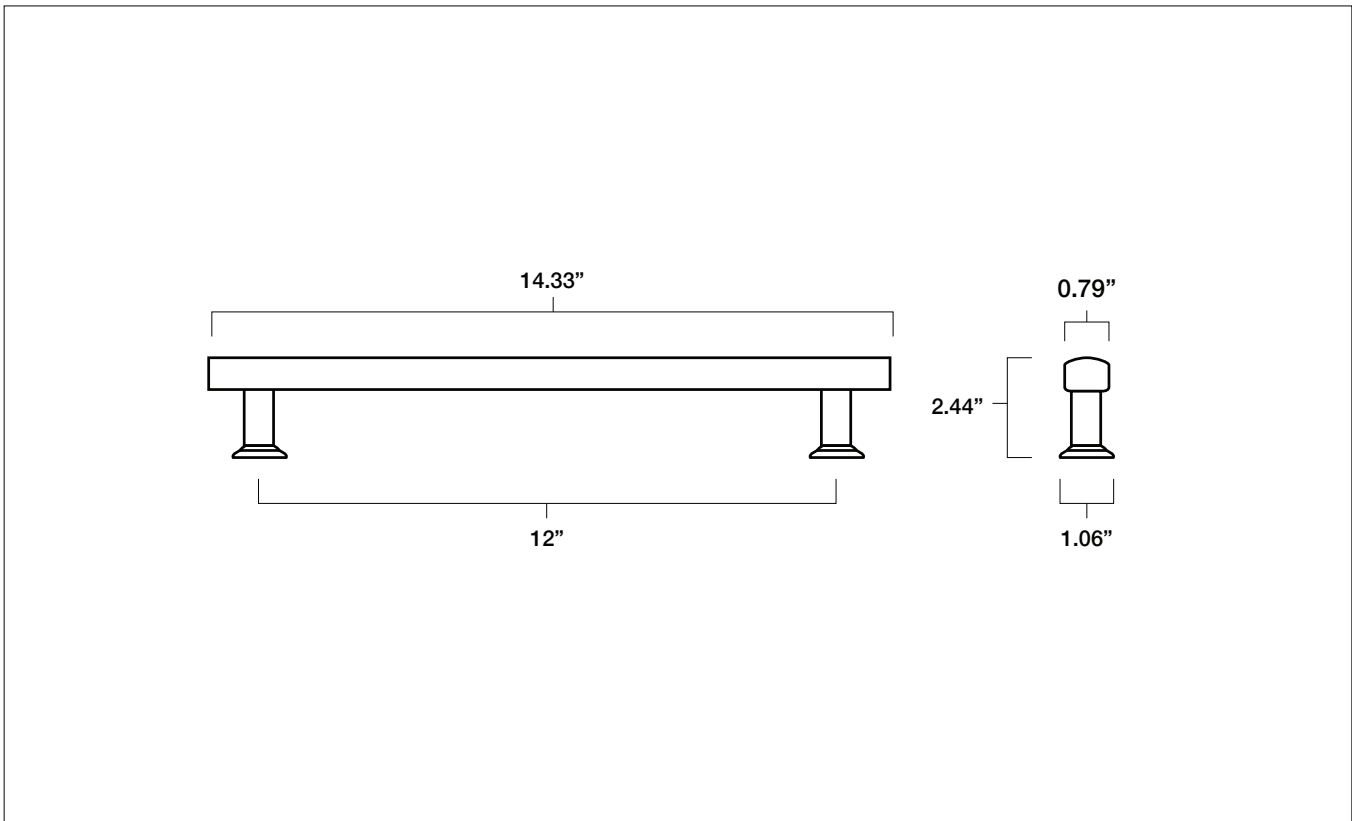




MOD 12" APPLIANCE PULL

Tech Spec



FINISH	SKU	ALSO INCLUDED
Matte Black & Satin Brass	M1028-BSB	(2) 1/4"-20, 1.25" Phillips head screws
Polished Chrome & Satin Brass	M1028-CSB	(2) 1/4"-20, 1.75" Phillips head screws
Satin Brass	M1028-SB	
Weathered Nickel & Matte Black	M1028-WMB	

CARE INSTRUCTIONS:

Gentle is key. Clean your hardware with a soft, damp cloth, and wipe completely dry. Do not leave any water or soap residue on your product. Never use any chemicals or harsh over-the-counter cleaners, as these will strip the finish and void your warranty.