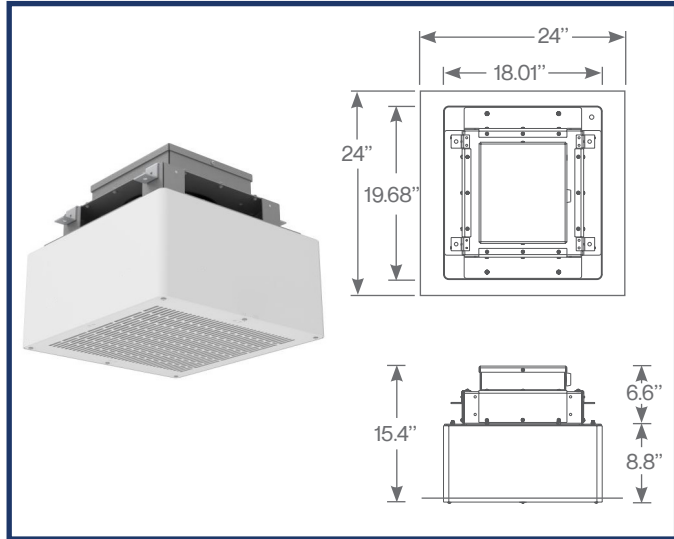
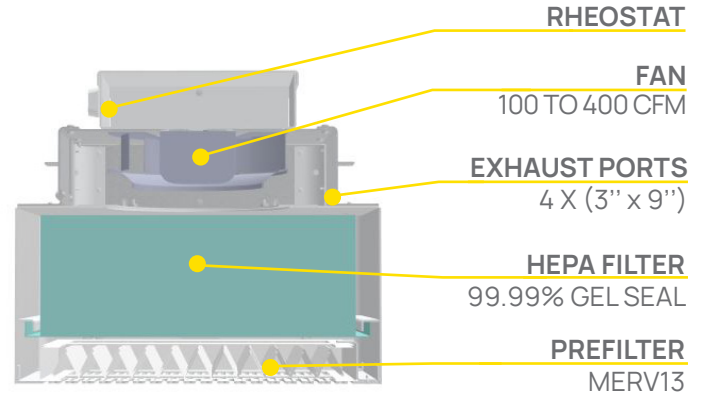


Q350C P/N: Q350C

The Q350C is designed to fit in a 24" x 24" ceiling tile. It removes airborne micro-contaminants such as COVID-19. Typical applications include anterooms, isolation and exam rooms, waiting areas and procedure rooms. Once air is passed through the 99.99% HEPA filter, it may be recirculated back to the room or used to create negative pressure by exhausting from the room.



- **Ceiling-mounted**
- **Room side replaceable HEPA filter**
- **Electrical:**
115V @ 60Hz / 1 PHASE
- **Material:**
Filter housing: Aluminium
Anchoring: Stainless steel
- **Internal fuse:**
3A
- **Antimicrobial paint:**
White: RAL 9003
- **Weight:**
45 lbs



OPTIONS

WMR

A wall mounted rheostat to control fan speed.

KSH

KSH.A - A wall mounted plate with key switch and hour meter that shows the hours of operation.

KSH.B - Option KSH.A with a button that switches from low to high speed (400 CFM) when necessary (bypasses the rheostat) and increases the number of ACH.

RCP

Wall mounted differential pressure gauge to show the appropriate time to change the HEPA filter.

FMS*

Allows the Q350C to be controlled by an air differential pressure monitor. The unit is designed to work with the speed set by the rheostat on the machine until the air pressure monitor senses a loss of negative pressure. At this point the monitor sets the Q350C to run at a higher speed (400 CFM) in order to compensate for the loss of negative pressure and increases the number of ACH.

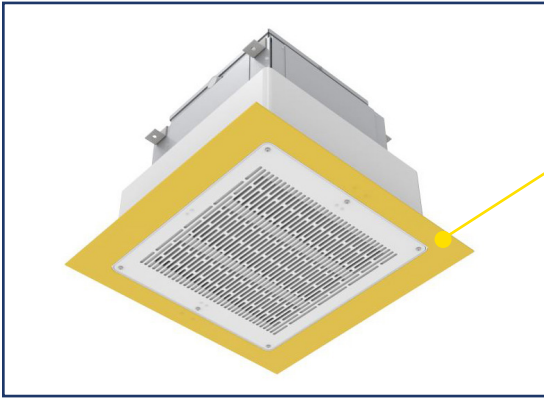
*This option is only available with option KSH.B.

ACCESSORY

A24

Ceiling trim to cover 24" x 24"

ACCESSORIES

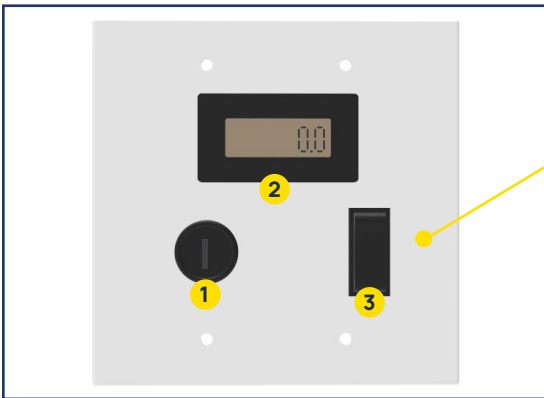


A24: Ceiling trim to cover 24" x 24"

When space is not a factor, the A24 trim facilitates the installation of ceiling tiles by maintaining standard dimensions.

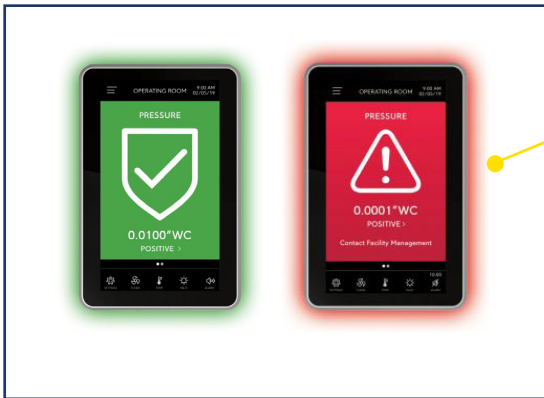
It also allows the blower motor to be lowered when space above the drop ceiling is limited.

Available with : HC, HC-F, HC-MINI, 600C, 350C



KSH: Keylock switch with hour meter

Wall mounted plate with key switch **1** and hour meter **2** that shows the hours of operation. Can also be equipped with a button **3** that switches from low to high speed when necessary and increases the number of ACH.



FMS: Differential pressure monitor

Monitor with audible and visual alarm, sets the equipment to run at a higher speed when a loss of negative pressure is detected. As soon as the negative pressure is regained, the unit automatically switches back to low speed.