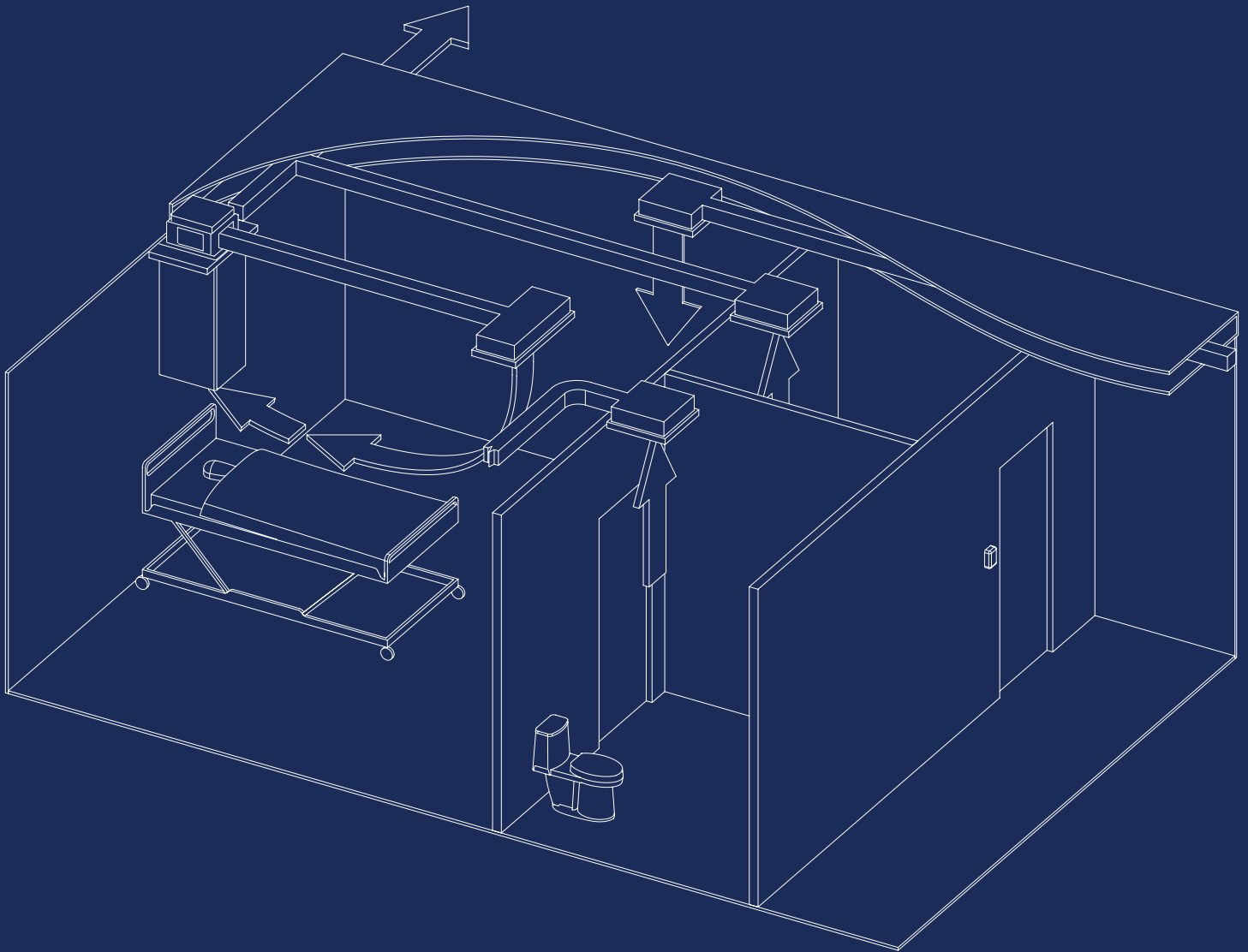


ISOLATION ROOMS

Whether it is permanent or temporary, easily convert an existing patient room into a code-compliant negative pressure isolation room.



QUALITAIR

@ info@qualitair.ca
www.qualitair.ca
1-877-444-8012

CONCEPT

Convert a standard patient room into a permanent negative pressure isolation room within a day for a fraction of the usual cost.

Qualitair's HEPA filtration systems for isolation rooms allow the room to be placed under negative pressure when needed. ① The air curtain and its source capture design ② will also limit the spread of aerosols (COVID-19) in the room. ③

Equipped with a 99.99% HEPA filter and a germicidal UV-C lamp, the main unit ④ sends 50% of the air outside to create negative pressure and 50% in recirculation* to obtain the required number of ACH while limiting the energy consumption. ⑤

* It is possible to exhaust or recirculate 100% of the air.

In the event of loss of negative pressure, the ambient pressure controller ⑥ emits an audible and visual alarm and sends a signal to the fan motor switching it to high speed in order to:

- ① Increase the volume of exhausted air
- ② Increase the speed of the air curtain and the number of ACH
- ③ Limit the spread of contaminants by increasing the volume of air drawn in

As soon as negative pressure is regained, the device automatically returns to low speed.

Qualitair recommends the use of HepaNet or HepaCrown as the main device and also offers several HEPA ceiling-mounted units for anterooms, bathrooms and other places where space is more limited. ⑦

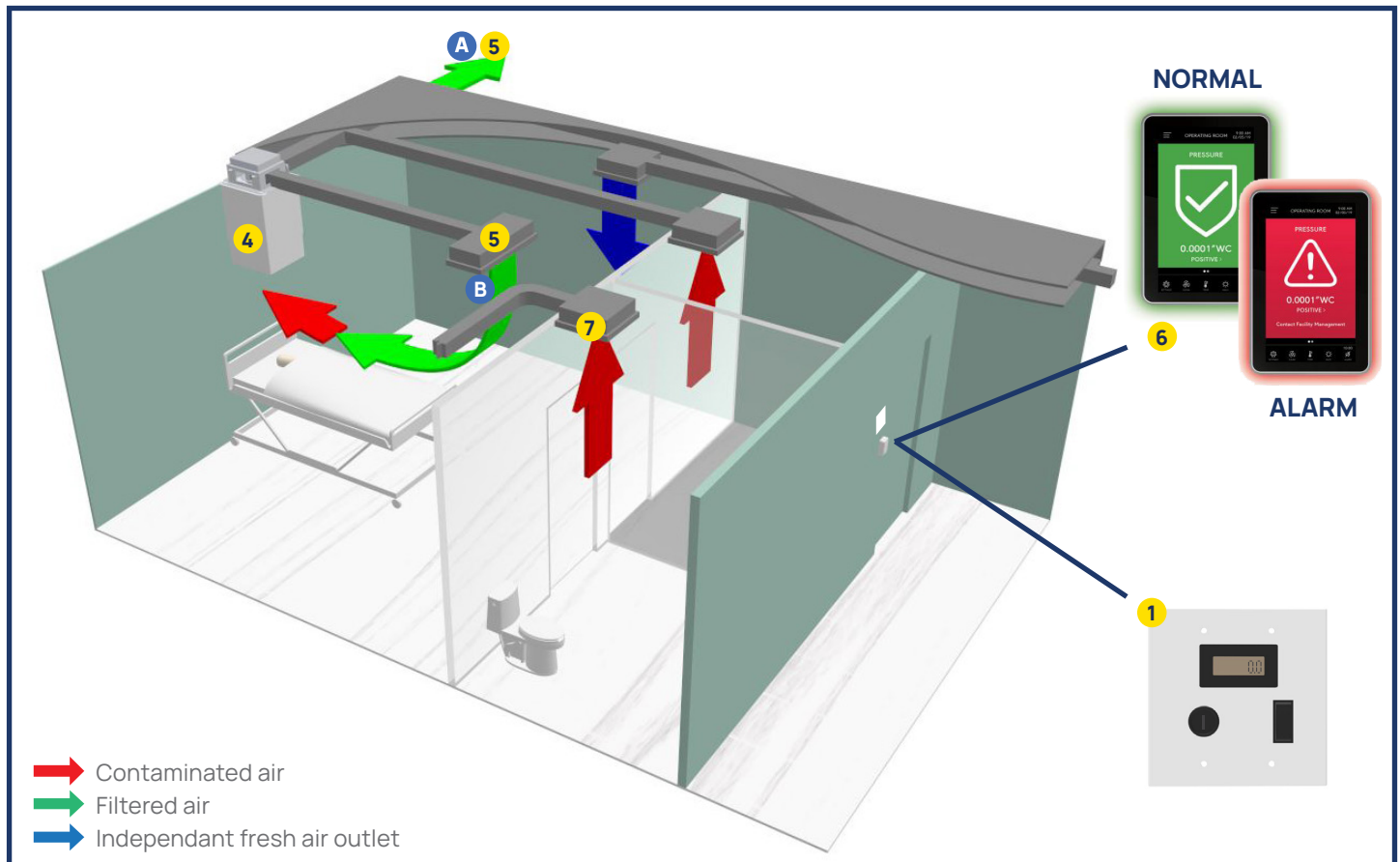
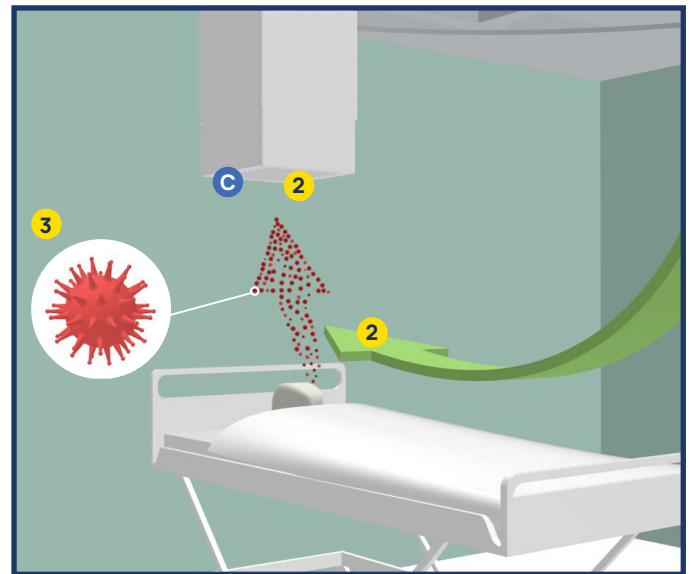


TABLE OF CONTENTS

ISOLATION ROOMS

HEPACROWN	4
HEPACROWN F	5
HEPANET	6
HEPACROWN MINI	7
Q600C	8
Q350C	9
Q100C	10

TEMPORARY ISOLATION ROOMS

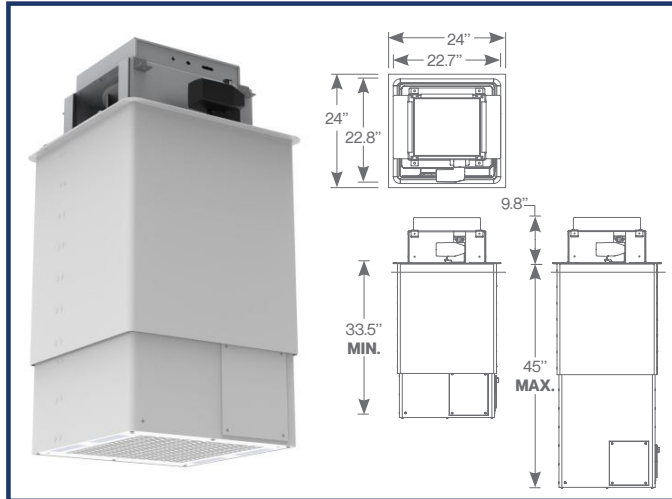
HEPACROWN MOBILE	11
SIP-PIC	12
HEPANOMAD	13

ACCESSORIES

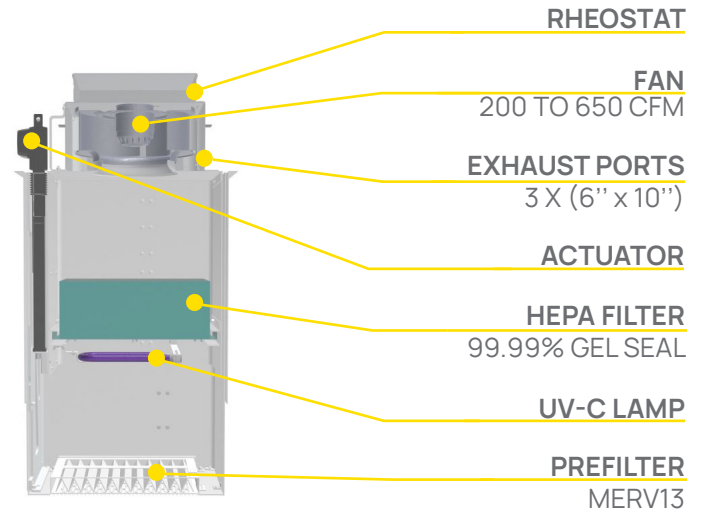
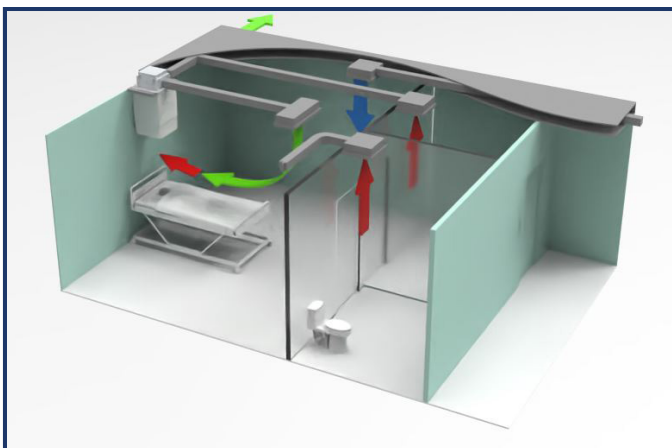
ACCESSORIES	14
-------------	----

HEPACROWN P/N: HC

The HepaCrown is a retractable ceiling-mounted column specifically designed with hospital isolation rooms for contagious patients in mind. Not only will it create a code compliant negative pressure environment, but its source capture also limits the spread of aerosols (COVID-19) in the room using HEPA filtration and UV-C decontamination.



- **Ceiling-mounted**
- **Adjustable height**
(from 33.5" to 49.5")
- **Electrical:**
115V @ 60Hz / 1PHASE
- **Internal fuse:**
6A
- **Weight:**
150 lbs
- **Source capture design**
- **Room side replacable HEPA filter**
- **Material:**
Filter housing: Aluminium
Anchoring: Stainless steel
- **Antimicrobial paint:**
White: RAL 9003



OPTIONS

WMR

A wall mounted rheostat to control fan speed.

KSH

KSH.A - A wall mounted plate with key switch and hour meter that shows the hours of operation.

KSH.B - Option KSH.A with a button that switches from low/automatic to high speed (650 CFM) when necessary (bypasses the rheostat) and increases the number of ACH.

RCP

Wall mounted differential pressure gauge to show the appropriate time to change the HEPA filter.

FMS*

Allows the HepaCrown to be controlled by an air differential pressure monitor. The unit is designed to work with the speed set by the rheostat on the machine until the air pressure monitor senses a loss of negative pressure. At this point the monitor sets the HepaCrown to run at a higher speed (650 CFM) in order to compensate for the loss of negative pressure and increases the number of ACH.

*This option is only available with option KSH.B.

ACCESSORIES

SCA

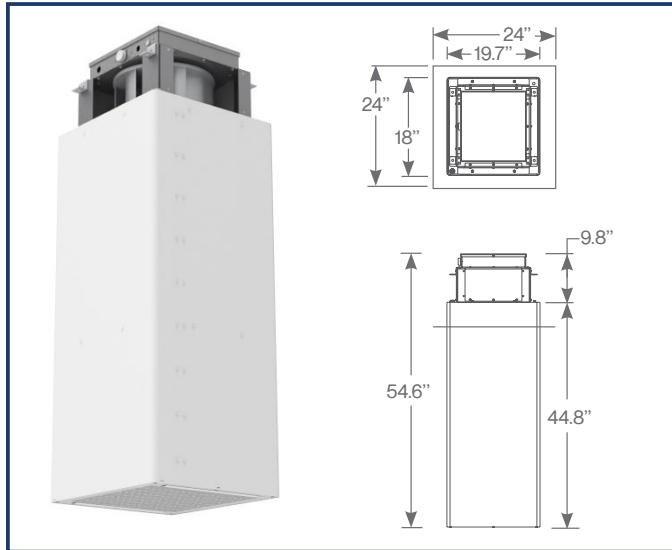
Source capture arm and fan (100 CFM)

A24

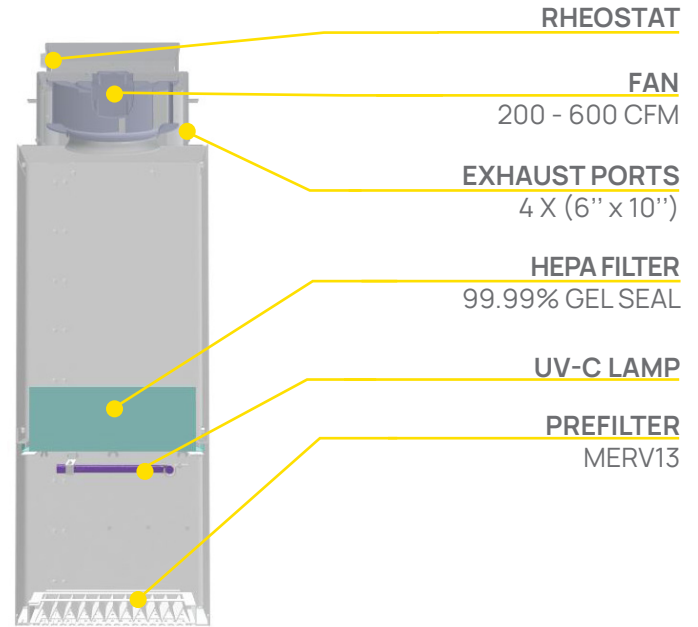
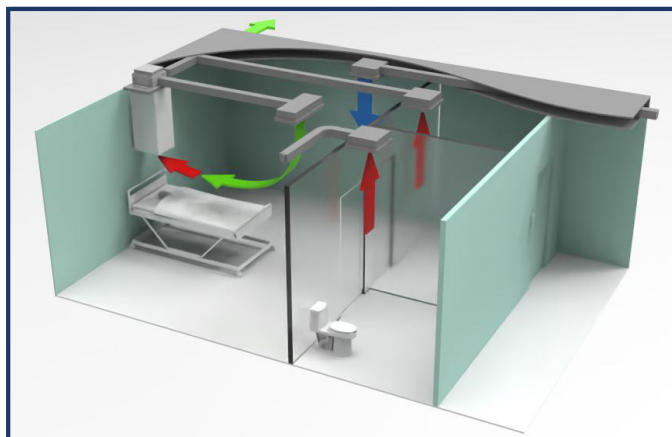
Ceiling trim to cover 24" x 24"

HEPACROWN F P/N: HC-F

The HepaCrown F is a non-retractable, ceiling-mounted column specifically designed with hospital isolation rooms for contagious patients in mind. Not only will it create a code compliant negative pressure environment, but its source capture also limits the spread of aerosols (COVID-19) in the room using HEPA filtration and UV-C decontamination.



- **Ceiling-mounted**
- **Room side replacable HEPA filter**
- **Electrical:**
115V @ 60Hz / 1 PHASE
- **Internal fuse:**
5A
- **Weight:**
90lbs
- **Source capture design**
- **Material:**
Filter housing: Aluminium
Anchoring: Stainless steel
- **Antimicrobial paint:**
White: RAL 9003



OPTIONS

WMR

A wall mounted rheostat to control fan speed.

KSH

KSH.A - A wall mounted plate with key switch and hour meter that shows the hours of operation.

KSH.B - Option KSH.A with a button that switches from low/automatic to high speed (650 CFM) when necessary (bypasses the rheostat) and increases the number of ACH.

RCP

Wall mounted differential pressure gauge to show the appropriate time to change the HEPA filter.

FMS*

Allows the HepaCrown F to be controlled by an air differential pressure monitor. The unit is designed to work with the speed set by the rheostat on the machine until the air pressure monitor senses a loss of negative pressure. At this point the monitor sets the HepaCrown to run at a higher speed (650 CFM) in order to compensate for the loss of negative pressure and increases the number of ACH.

*This option is only available with option KSH.B.

ACCESSORIES

SCA

Source capture arm and fan (100 CFM)

A24

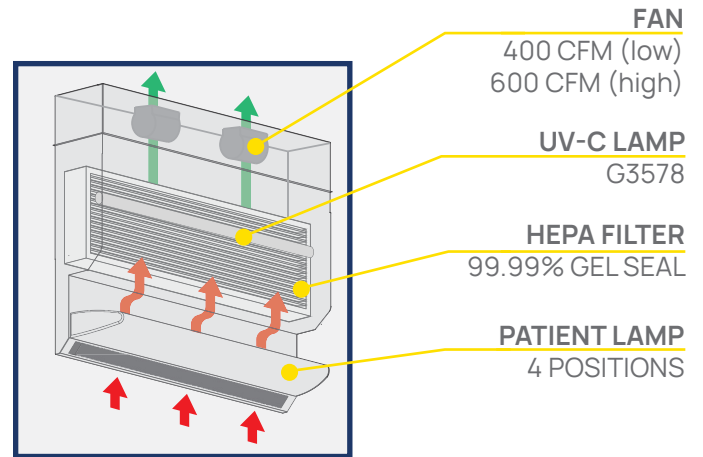
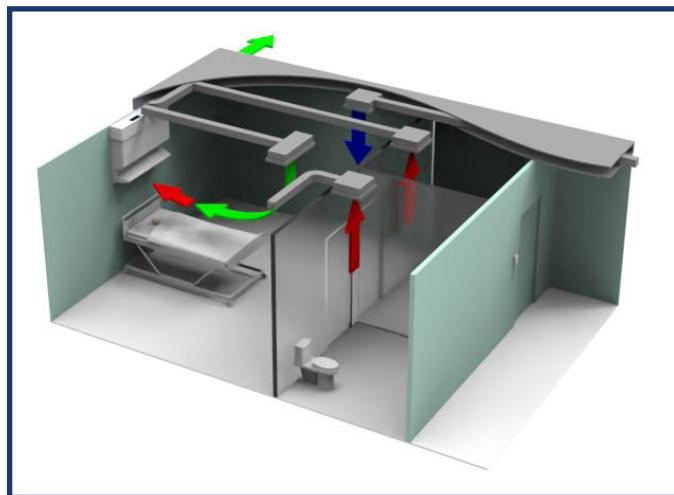
Ceiling trim to cover 24" x 24"

HEPANET P/N: HN-Q

If ceiling space is limited, the wall-mounted HepaNet can help you. Not only will it create a code compliant negative pressure environment, but its source capture also limits the spread of aerosols (COVID-19) in the room using HEPA filtration and UV-C decontamination. Installed right over the patient's bed, the HN-Q is also equipped with a 4-position patient lamp.

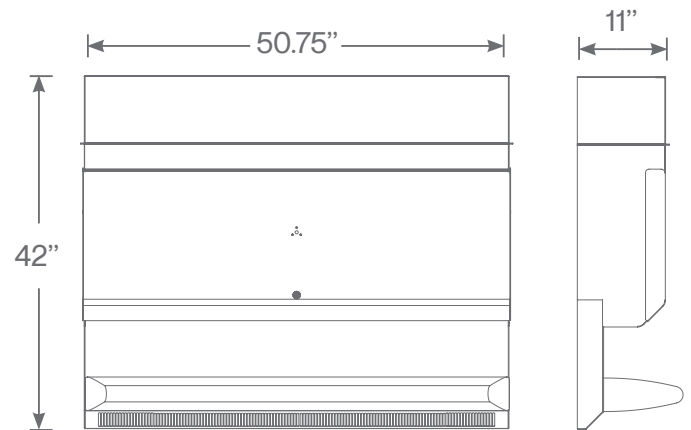


- **Source capture design**
- **Room side replaceable HEPA filter**
- **Electrical:**
115V @ 60Hz / 1 PHASE
- **Material:**
Aluminium
- **Internal fuse:**
5A
- **Antimicrobial paint:**
White: RAL 9003
- **Weight:**
125lbs



➔ Contaminated air

➔ Filtered air



OPTIONS

KSH.B - A wall mounted plate with key switch and hour meter that shows the hours of operation. The KSH.B is also equipped with a button that switches from low/automatic to high speed (400-600 CFM) when necessary and increases the number of ACH.

FMS*

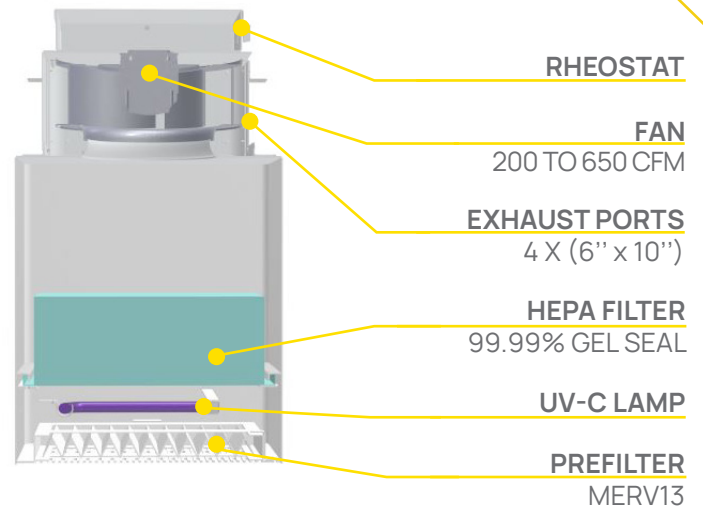
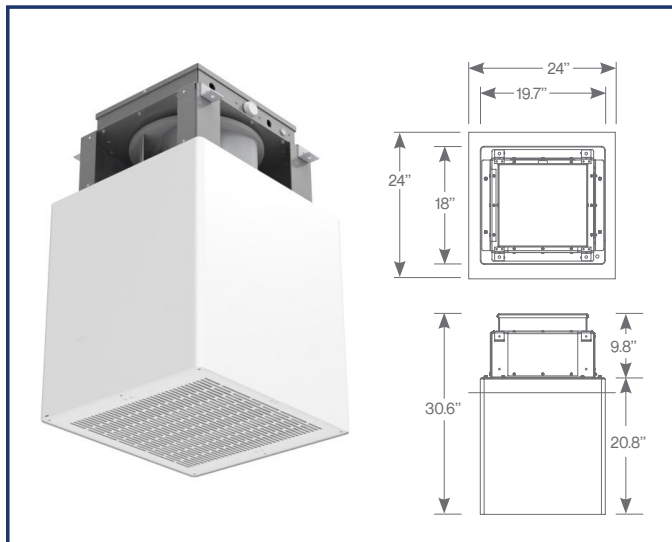
Allows the HepaNet to be controlled by an air differential pressure monitor. The unit is designed to work at 400 CFM at low speed. If the air pressure monitor senses a loss of negative pressure the monitor sets the HepaNet to run at a higher speed (600 CFM) in order to compensate for the loss of negative pressure and increases the number of ACH.

*This option is only available with option KSH.B.

HEPACROWN MINI P/N: HC-MINI

COMING SOON

Designed for smaller spaces or where a source capture is not required, the HepaCrown Mini is a low profile HEPA air purifier designed to fit in a 24" x 24" ceiling tile. Using HEPA filtration and UV-C decontamination, it removes airborne micro-contaminants such as COVID-19. Typical applications include anterooms, isolation and exam rooms, waiting areas and procedure rooms. Once the air has passed through the 99.99% HEPA filter, it can either be recirculated into the room or exhausted to create negative pressure.



OPTIONS

WMR

A wall mounted rheostat to control fan speed.

KSH

KSH.A - A wall mounted plate with key switch and hour meter that shows the hours of operation.

KSH.B - Option KSH.A with a button that switches from low/automatic to high speed (650 CFM) when necessary (bypasses the rheostat) and increases the number of ACH.

RCP

Wall mounted differential pressure gauge to show the appropriate time to change the HEPA filter.

FMS*

Allows the HepaCrown Mini to be controlled by an air differential pressure monitor. The unit is designed to work with the speed set by the rheostat on the machine until the air pressure monitor senses a loss of negative pressure. At this point the monitor sets the HepaCrown Mini to run at a higher speed (650 CFM) in order to compensate for the loss of negative pressure and increases the number of ACH.

*This option is only available with option KSH.B.

ACCESSORY

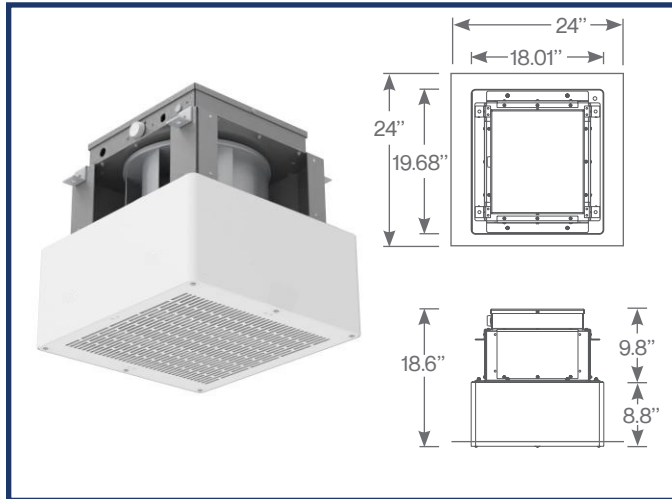
A24

Ceiling trim to cover 24" x 24"

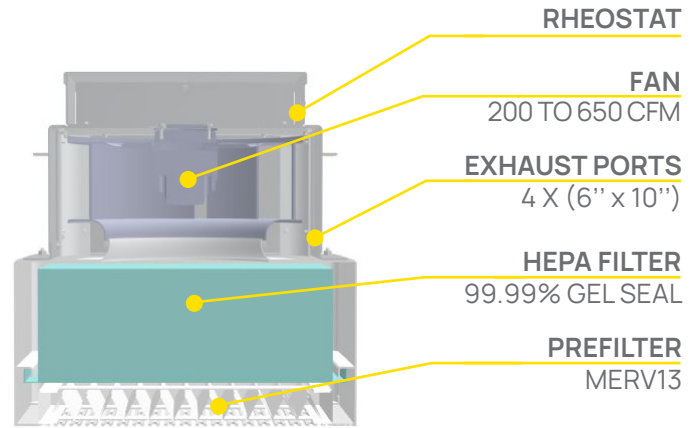
- **Ceiling-mounted**
- **Electrical:**
115V @ 60Hz / 1PHASE
- **Internal fuse:**
5A
- **Weight:**
55 lbs
- **Room side replacable HEPA filter**
- **Material:**
Filter housing: Aluminium
Anchoring: Stainless steel
- **Antimicrobial paint:**
White: RAL 9003

Q600C P/N: Q600C

The Q600C is designed to fit in a 24" x 24" ceiling tile. It removes airborne micro-contaminants such as COVID-19. Typical applications include anterooms, isolation and exam rooms, waiting areas and procedure rooms. Once the air has passed through the 99.99% HEPA filter, it can either be recirculated into the room or exhausted to create negative pressure.



- **Ceiling-mounted**
- **Room side replaceable HEPA filter**
- **Electrical:**
115V @ 60Hz / 1PHASE
- **Material:**
Filter housing: Aluminium
Anchoring: Stainless steel
- **Internal fuse:**
5A
- **Antimicrobial paint:**
White: RAL 9003
- **Weight:**
55 lbs



OPTIONS

WMR

A wall mounted rheostat to control fan speed.

KSH

KSH.A - A wall mounted plate with key switch and hour meter that shows the hours of operation.

KSH.B - Option KSH.A with a button that switches from low/automatic to high speed (650 CFM) when necessary (bypasses the rheostat) and increases the number of ACH.

RCP

Wall mounted differential pressure gauge to show the appropriate time to change the HEPA filter.

FMS*

Allows the Q600C to be controlled by an air differential pressure monitor. The unit is designed to work with the speed set by the rheostat on the machine until the air pressure monitor senses a loss of negative pressure. At this point the monitor sets the Q600C to run at a higher speed (650 CFM) in order to compensate for the loss of negative pressure and increases the number of ACH.

*This option is only available with option KSH.B.

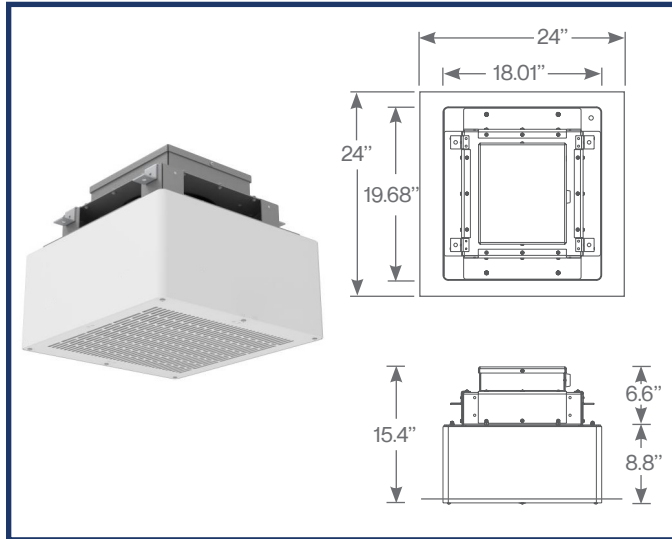
ACCESSORY

A24

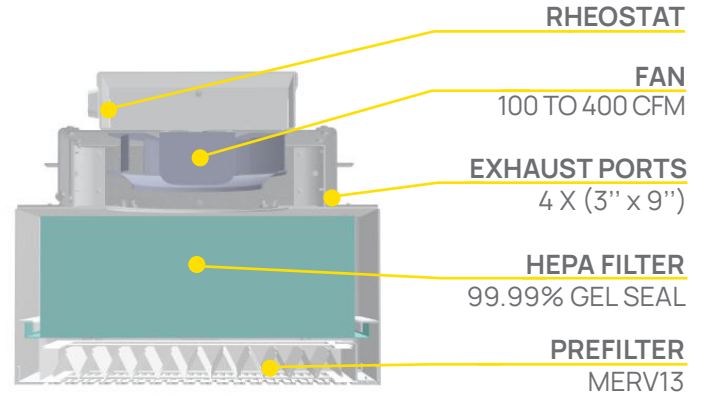
Ceiling trim to cover 24" x 24"

Q350C P/N: Q350C

The Q350C is designed to fit in a 24" x 24" ceiling tile. It removes airborne micro-contaminants such as COVID-19. Typical applications include anterooms, isolation and exam rooms, waiting areas and procedure rooms. Once air is passed through the 99.99% HEPA filter, it may be recirculated back to the room or used to create negative pressure by exhausting from the room.



- **Ceiling-mounted**
- **Electrical:**
115V @ 60Hz / 1PHASE
- **Internal fuse:**
3A
- **Weight:**
45 lbs
- **Room side replacable HEPA filter**
- **Material:**
Filter housing: Aluminium
Anchoring: Stainless steel
- **Antimicrobial paint:**
White: RAL 9003



OPTIONS

WMR

A wall mounted rheostat to control fan speed.

KSH

KSH.A - A wall mounted plate with key switch and hour meter that shows the hours of operation.

KSH.B - Option KSH.A with a button that switches from low to high speed (400 CFM) when necessary (bypasses the rheostat) and increases the number of ACH.

RCP

Wall mounted differential pressure gauge to show the appropriate time to change the HEPA filter.

FMS*

Allows the Q350C to be controlled by an air differential pressure monitor. The unit is designed to work with the speed set by the rheostat on the machine until the air pressure monitor senses a loss of negative pressure. At this point the monitor sets the Q350C to run at a higher speed (400 CFM) in order to compensate for the loss of negative pressure and increases the number of ACH.

*This option is only available with option KSH.B.

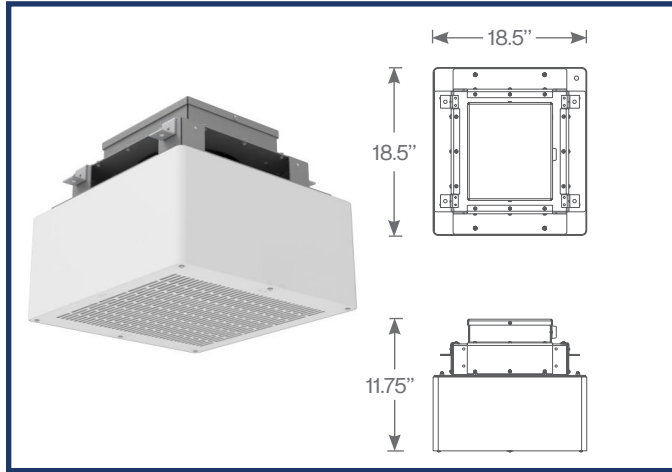
ACCESSORY

A24

Ceiling trim to cover 24" x 24"

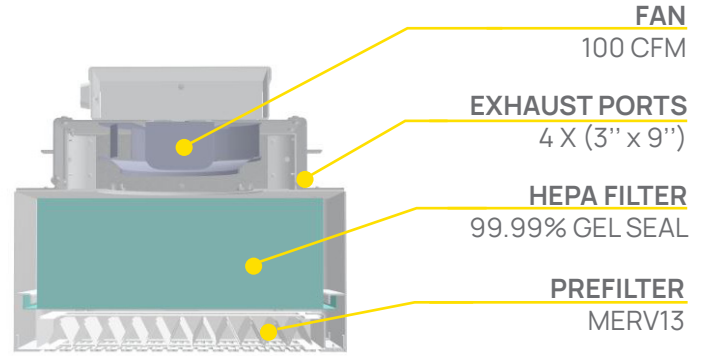
Q100C P/N: Q100C

The Q100C is designed to fit in a 24" x 24" ceiling tile. It removes airborne micro-contaminants such as COVID-19. Typical applications include anterooms, bathrooms and waiting areas. Once the air has passed through the 99.99% HEPA filter, it can either be recirculated into the room or exhausted to create negative pressure.



- **Ceiling-mounted**
- **Electrical:**
115V @ 60Hz / 1PHASE

- **Internal fuse:**
3A
- **Weight:**
45 lbs



OPTIONS

KSH.A - A wall mounted plate with key switch and hour meter that shows the hours of operation.

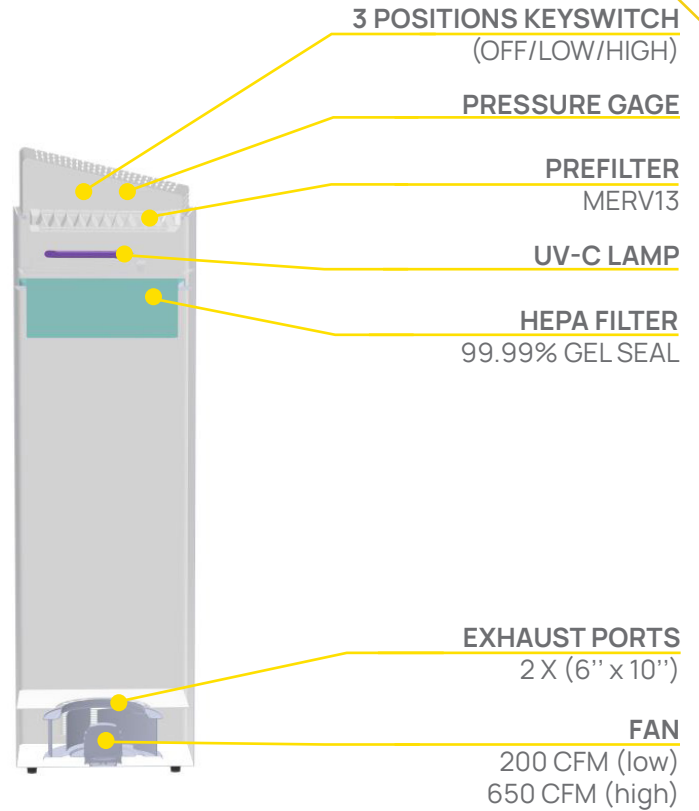
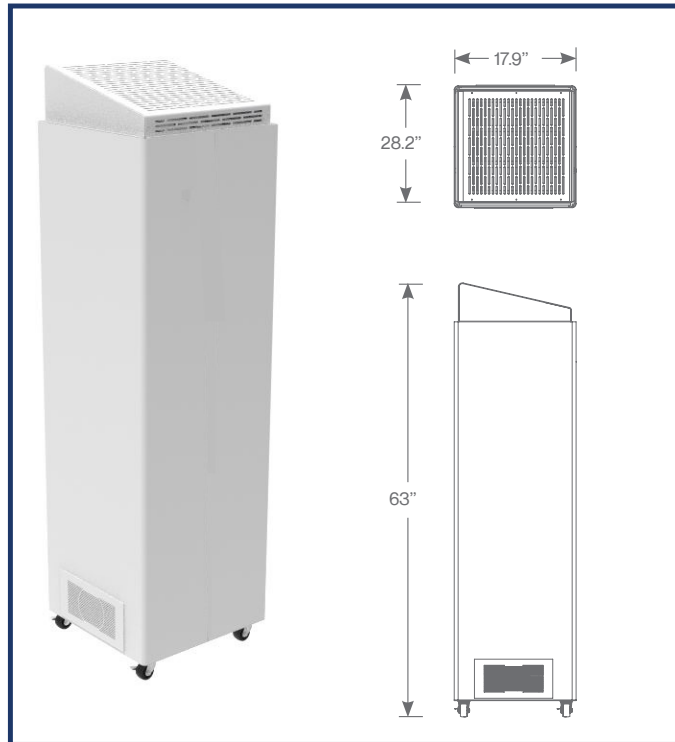
RCP
Wall mounted differential pressure gauge to show the appropriate time to change the HEPA filter.

- **Room side replacable HEPA filter**
- **Antimicrobial paint:**
White: RAL 9003
- **Material:**
Filter housing: Aluminium
Anchoring: Stainless steel

HEPACROWN P P/N: HC-P

COMING SOON

The HepaCrown P is a portable air purifier designed to remove airborne micro-contaminants and stand up to the rigors of daily use in healthcare facilities. The unit combines a MERV13, prefilter, a UV-C lamp and 99.99% HEPA filter to provide optimal air purification. Once the air has passed through the 99.99% HEPA filter, it can either be recirculated into the room or exhausted to create negative pressure.



ACCESSORY

SCA
Source capture arm and fan (100 CFM)

- **Mobile**
- **Room side replaceable HEPA filter**
- **Electrical:**
115V @ 60Hz / 1PHASE
- **Material:**
Aluminium
- **Internal fuse:**
5A
- **Antimicrobial paint:**
White: RAL 9003

The SIP-PIC allows the very rapid isolation of a potentially contagious patient in a few seconds. It can also be used for the administration of aerosolized treatments or drugs.



SPECIFICATIONS

Delivered air :
300 CFM

Prefilter :
MERV8

Electrical:
120V @ 60Hz / 1PHASE

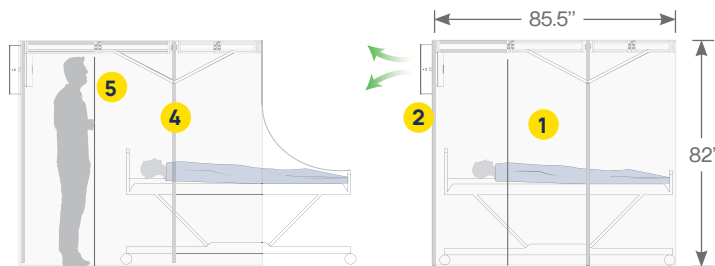
HEPA filter:
99.99% certified HEPA

Internal fuse:
3A

Material:
Frame: Aluminium
Cabin: Transparent vinyl

Dimensions:
85.5" L x 55" W x 82" H (extended)
19" L x 55" W x 82" H (retracted)

- 1 Under negative pressure (0.1 wc)
- 2 99.99% HEPA fan of 300 CFM
- 3 Modular transparent panels of .5mm
- 4 Aluminum frame
- 5 Fast patient access through side doors



Use

- Isolation of contagious patients (COVID-19, Tuberculosis, SARS, etc.)
- Creation of temporary anterooms
- Respiratory therapy
- Aerosol treatment cabin
- Endoscopy
- Schools
- Mobile screening clinics (Arenas, convention centers, etc.)

OPTIONS

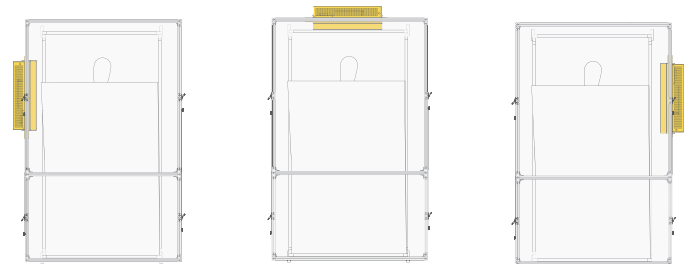
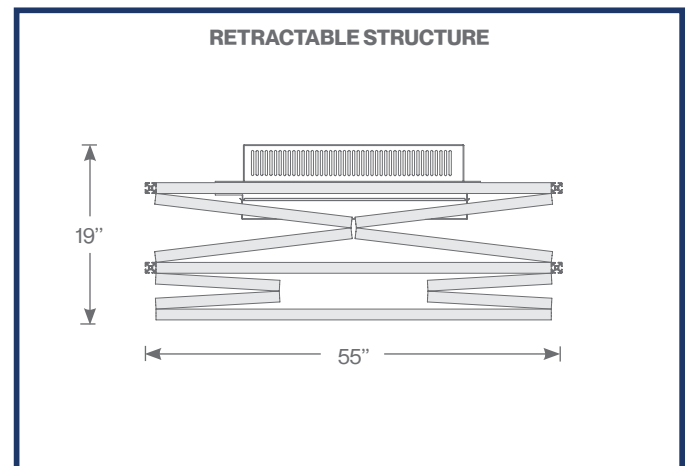
HepaNomad BP

Battery-powered HEPA fan with over 16 hours of autonomy.

ACCESSORY

SPC

24" x 48" transport cart.



- 3 Modular panels to change the location of the doors and fan.

HEPANOMAD P/N: NMD

Initially designed for the HepaZone, the HepaNomad can be used on its own for anterooms, isolation and examination rooms, waiting areas and procedure rooms.



- Battery-powered (Model BP only)
- 300 CFM
- Can also run on standard 120V power
- 99.99% certified HEPA filter
- 3-year warranty

SPECIFICATIONS

Delivered air :
300 CFM

Electrical:
120V @ 60Hz / 1PHASE

Internal fuse:
3A

Dimensions:
8.75" L x 18" W x 29" H

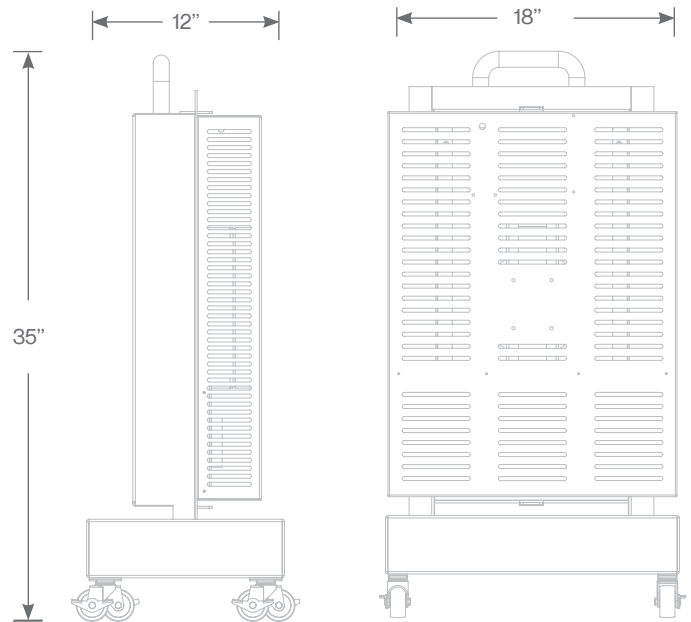
Weight:
60 lbs

Prefilter :
MERV8

HEPA filter:
99.99% certified HEPA

Material:
Aluminium

Antimicrobial paint:
White: RAL 9003
Yellow: RAL 1003



OPTIONS

BP
Battery-powered with over 16 hours of autonomy.

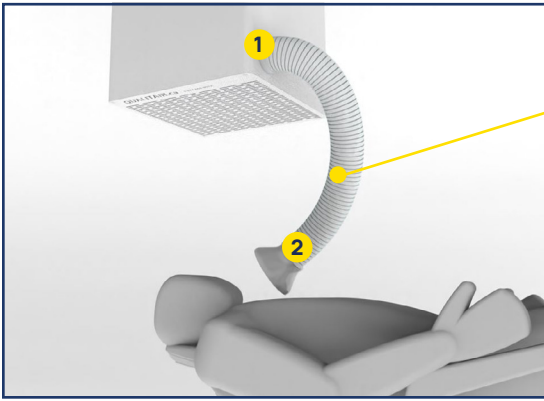
NB
No battery.

Color
W: White
Y: Yellow

ACCESSORY

MB
Mobile base for stand-alone use.

ACCESSORIES



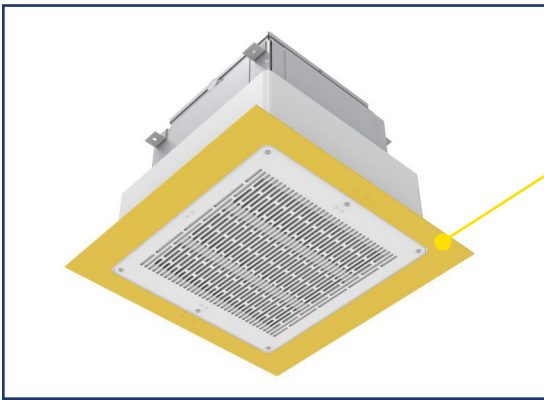
SCA: Source capture arm with 100 CFM fan

Located downstream of the HEPA filter, the source capture arm intercepts pathogens from a contagious patient.

Includes:

- 1 100 CFM fan motor with switch (independent of the main fan)
- 2 Source capture arm (6' x 4" dia. - Can be cut to desired length)

Available with : HC, HC-F, HC-P

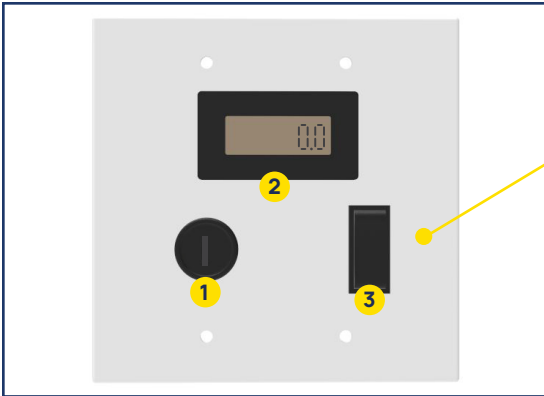


A24: Ceiling trim to cover 24" x 24"

When space is not a factor, the A24 trim facilitates the installation of ceiling tiles by maintaining standard dimensions.

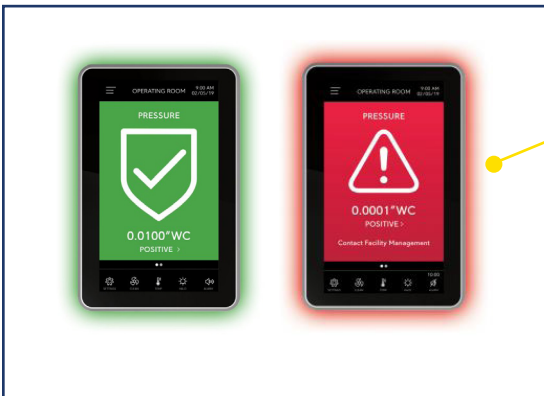
It also allows the blower motor to be lowered when space above the drop ceiling is limited.

Available with : HC, HC-F, HC-MINI, 600C, 350C



KSH: Keylock switch with hour meter

Wall mounted plate with key switch 1 and hour meter 2 that shows the hours of operation. Can also be equipped with a button 3 that switches from low to high speed when necessary and increases the number of ACH.



FMS: Differential pressure monitor

Monitor with audible and visual alarm, sets the equipment to run at a higher speed when a loss of negative pressure is detected. As soon as the negative pressure is regained, the unit automatically switches back to low speed.