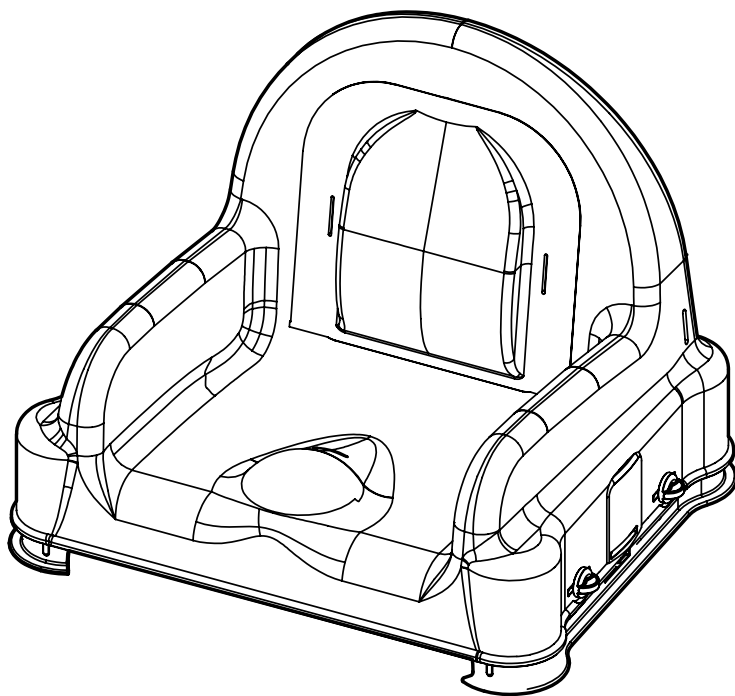




Right Height Booster Seat


OWNER'S MANUAL MODEL: 1664, 1665



- READ ALL INSTRUCTIONS BEFORE ASSEMBLY AND USE OF SEAT.
- KEEP INSTRUCTIONS FOR FUTURE USE.

 www.regalo-baby.com

 Regalo International, LLC.
3200 Corporate Center Drive, Suite 100 / Burnsville, MN 55306, USA

 866.272.5274 (U.S. only) or 952.435.1080

Made in China

Before Using Product

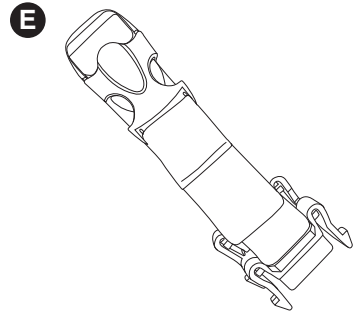
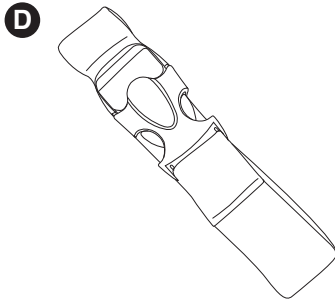
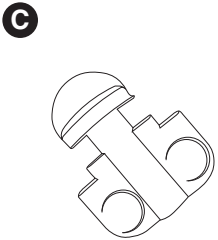
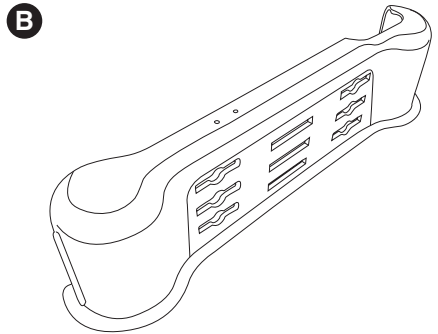
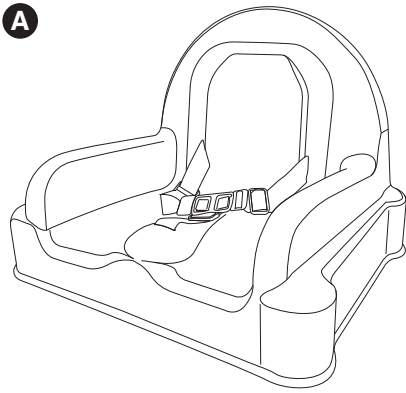
Read and follow all instructions carefully to ensure that your seat is properly installed. Improper installation could result in serious injury or death. The safety of your child is your responsibility. Please keep these instructions for your reference.



WARNING

- Prevent serious injury or death from sliding out, falls, or tipping over.
- Prevent serious injury or death, do not use in motor vehicles.
- Always secure child in the restraint until child is able to get in and out of the booster seat without help (about 2 ½ years old).
- Never leave child unattended.
- Never allow a child to push away from table.
- This product is to be used ONLY as a booster seat. It is not intended for use as a car seat, step stool, bathing seat or any other purpose.
- This booster seat is designed for use with adult size chairs that have flat smooth sitting and back surfaces only.
- Always check security of fit to adult chair before each use and any limitations of the product.
- Always use the safety anchoring straps for attaching the booster seat to adult chair.
- Seat bottom and anchoring latch and strap MUST pass through the chair body and the matching slot in the legs between 3 level height adjustment.
- Seat and back anchoring straps MUST always be secure and tight to the adult chair prior to placing child in the booster seat.
- Never adjust seat height while child is in the booster seat.
- Remove booster seat from adult chair before adjusting seat height.
- Do not use the booster seat on an adult chair the straps will not completely fit around.
- NEVER use this booster seat with an adult chair that is not in good working order.
- Use only for child that can sit up unassisted, the suggested age range is from 6 months to 5 years. It is the responsibility of the care giver to determine if their child is of an appropriate age for use with this booster seat.
- NEVER use this product on a tabletop, stool, swivel chair, or any other chair where the straps cannot secure it properly.
- CAUTION: Adult assembly required.
- KEEP SMALL PARTS OUT OF CHILDREN'S REACH.

Before Assembly



PLEASE CHECK TO MAKE SURE YOU HAVE THE FOLLOWING PARTS:

- A** *Booster Seat*
- B** *Legs (2)*
- C** *Leg Pins (4)*
- D** *Back Anchoring Straps*
- E** *Bottom Anchoring Straps*

Assembling Your Seat

STEP 1

Booster seat can be adjusted to 3 height settings. See the horizontal adjustment slots on each leg.

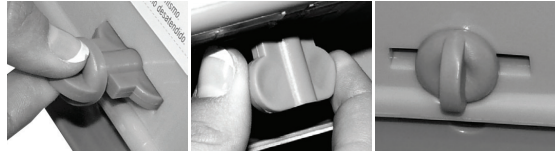
Remove zip ties temporarily holding the leg and chair together and slide the leg up or down until the slots in the chair match up with the desired height slots in the leg.



HORIZONTAL SLOTS

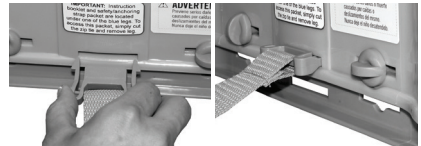
STEP 2

Insert all four *Leg Pins* through the matching slot in the chair and leg. Rotate the leg pins 90° turn to lock from the backside.



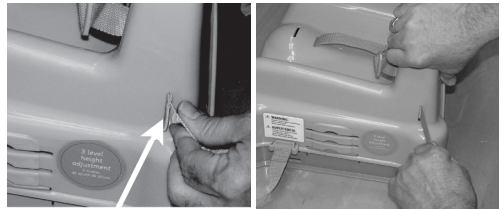
STEP 3

To attach the bottom anchoring straps insert the strap anchors through the slots on each side of the booster by squeezing the latch and inserting through the chair and leg.



STEP 4

To attach the back anchoring straps insert the 3-layer strap end into the strap slot. Fully push the strap into the slot until it slides freely inward. Tug on all of the straps to confirm they are secure.



Attaching Booster Seat to Adult Chair

STEP 1

Place booster seat in the center of the adult chair.

STEP 2

Connect the snap buckles straps around the bottom of the chair and around the back of the chair. Pull the strap ends to tighten.



STEP 3

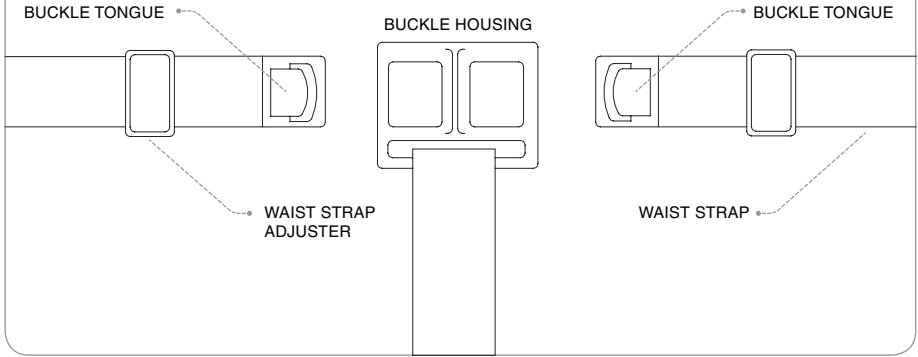
Confirm that the straps are tight around the adult chair.

NOTE: Do **NOT** use the booster seat on an adult chair without the back and bottom straps securely attached. Failure to properly use these could result in the legs being unstable causing serious injury or death.

Harness Instructions

STEP 1

To secure your child in the harness, push *buckle tongues* into *buckle housing* and adjust with *waist strap adjuster* so that the *waist strap* is firmly secured around child.



CARE AND MAINTENANCE

To clean the booster seat, legs, straps and buckles use warm soapy water with a nonabrasive sponge, brush or cloth. Rinse with warm water. COMPLETELY DRY all surfaces of the booster seat and straps before using. Wet surfaces will cause slips and falls that may result in serious injury or death.

NEVER place the booster seat or any of its straps or buckles in the dishwasher. Hand wash only. Check the condition of the straps and buckles frequently and keep them tight. Failure to keep the straps and buckles properly secure may result in serious injury or death.

In the event that any portion of the booster seat body, legs or buckles become worn, cracked or broken discontinue use immediately. Using the booster with broken or worn parts may result in serious injury or death.



www.regalo-baby.com



Regalo International, LLC.
3200 Corporate Center Drive, Suite 100
Burnsville, MN 55306, USA



866.272.5274 (U.S. only) or 952.435.1080