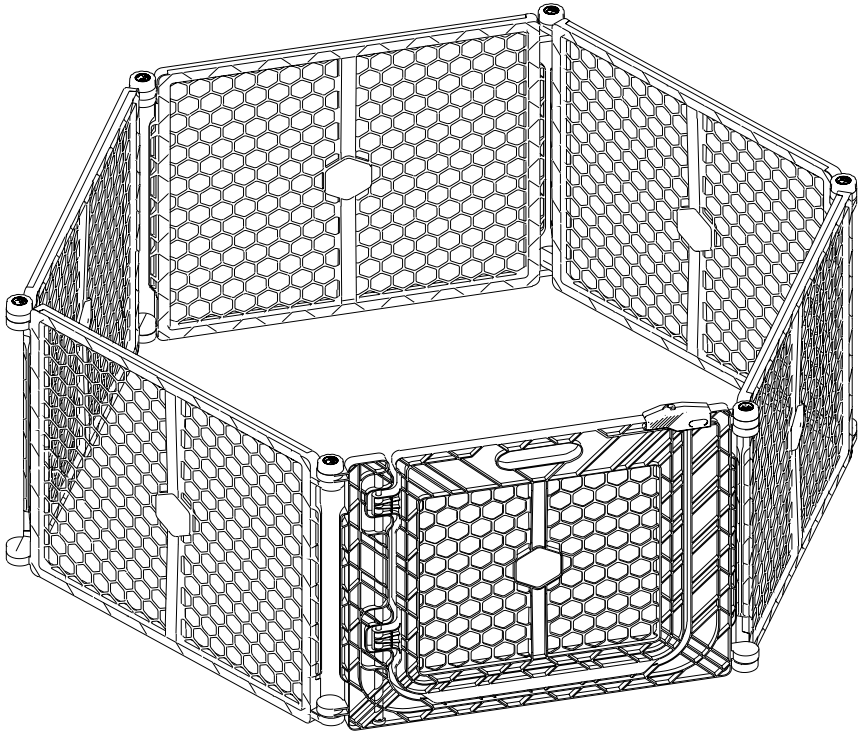




2 in 1

Safety Gate & Play Yard with Door

OWNER'S MANUAL MODELS: 1390 BR , 1390 G




- READ ALL INSTRUCTIONS BEFORE ASSEMBLY AND USE OF GATE.
- KEEP INSTRUCTIONS FOR FUTURE USE.

 www.regalo-baby.com

 Regalo International, LLC.

3200 Corporate Center Drive, Suite 100 / Burnsville, MN 55306, USA

 866.272.5274 (U.S. only) or 952.435.1080

Made in China

Before Using Product

Read and follow all instructions carefully to ensure that your gate is properly installed. Improper installation could result in the gate becoming unstable or dislodged from the doorway. Always make sure the gate panels are securely attached before using. The safety of your child is your responsibility. Please keep these instructions for your reference.

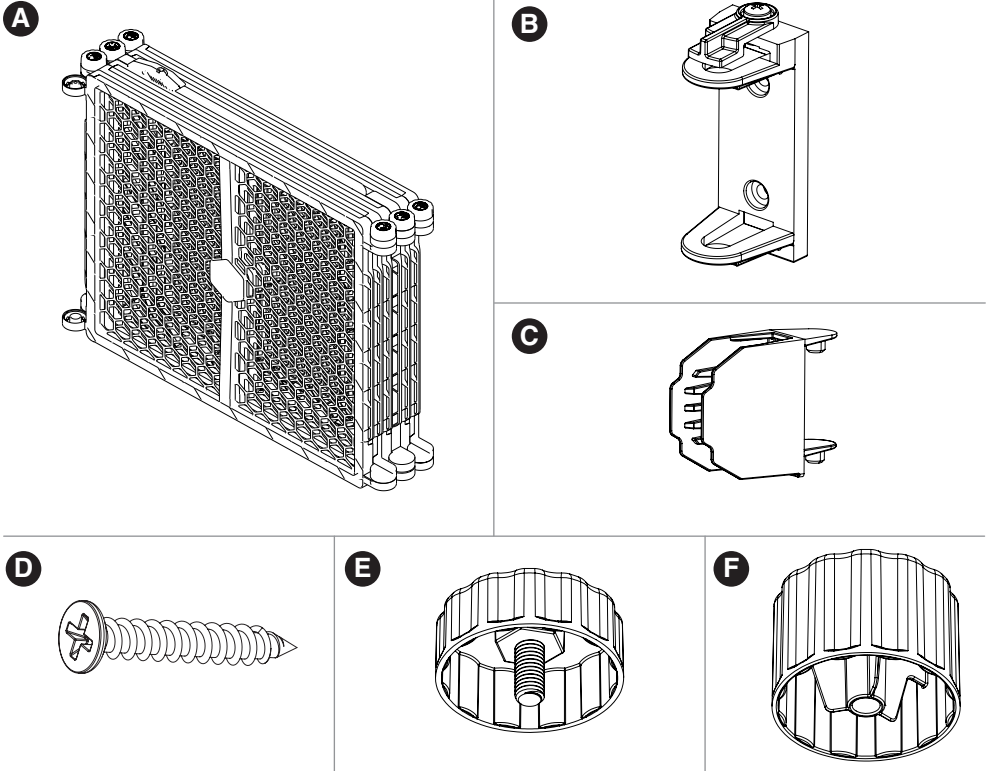
IMPORTANT

- The four mounting brackets must be used in securing the gate to the wall. These brackets prevent the gate from dislodging from its opening and becoming unstable.
- If hardware mounting to a surface other than drywall or wood, please consult with a professional about installation.
- The maximum width of this gate is 192 inches.

WARNING

- Install according to manufacturer's instructions.
- To prevent serious injury or death, securely install gate or enclosure and use according to manufacturer's instructions.
- Children have died or been seriously injured when gates are not securely installed. ALWAYS install and use gate as directed using all required parts.
- Never stack gates on top of each other to form a taller barrier. This could result in serious injury or death.
- STOP using when a child can climb over or dislodge the gate.
- Use only with the locking/latching mechanism securely engaged.
- To prevent falls, NEVER use at top of stairs.
- NEVER use to keep child away from pool.
- Intended for use with children between 6 and 24 months.
- Always ensure the gate is resting against the floor before beginning installation.
- This product will not necessarily prevent all accidents. NEVER leave child unattended.
- Check the gate regularly to see if all the hardware and mountings are tightened.
- Do not use if any components are missing or damaged.
- Adult assembly required.

Before Assembly



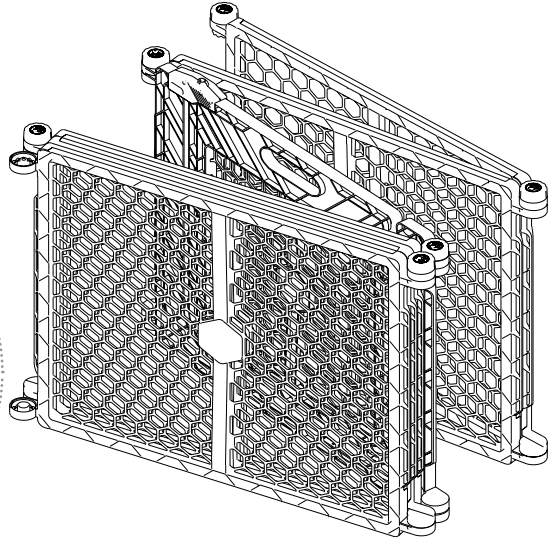
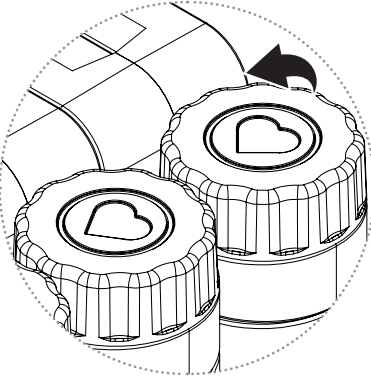
PLEASE CHECK TO MAKE SURE YOU HAVE THE FOLLOWING PARTS:

- A** *Play Yard Gate Frame (6 Panels)*
- B** *Wall Mounting Bracket (4 – Attached to Gate Frame)*
- C** *Gate Connector (4)*
- D** *1" Wall Mounting Screws (8) (requires a Phillips/cross-head screwdriver)*
- E** *Small Threaded Gate Cap (1)*
- F** *Tall Gate Cap (2)*

Option A: Installing Your Gate Between Two Walls

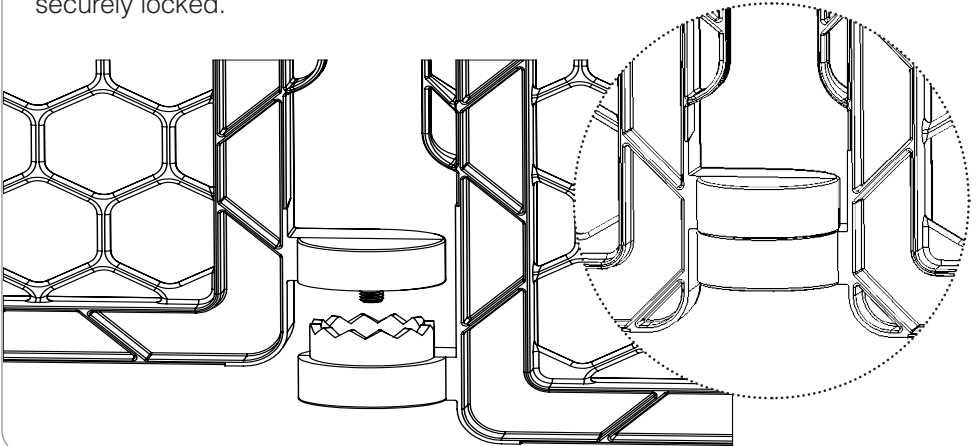
STEP 1

Unfold the *gate frame* at each pivoting joint by loosening each cap.



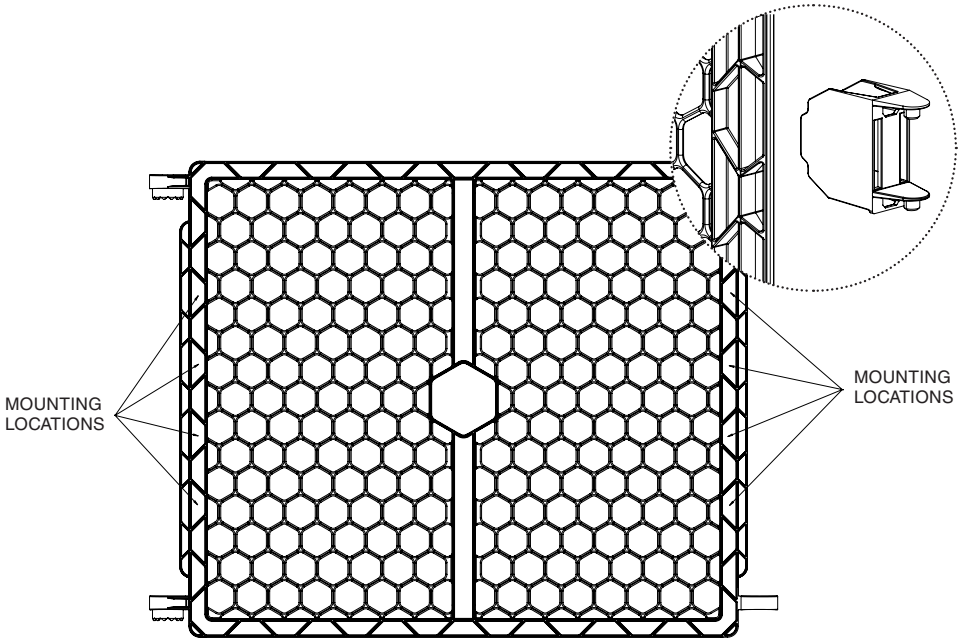
STEP 2

Determine the size of your opening. If you need to remove panels from your gate simply unhook the upper and lower knobs between the panels. If you are adding panels, hook together opposite panel ends; one panel with the male side and one panel with the female side. Check to make sure all the panels are securely locked.



STEP 3

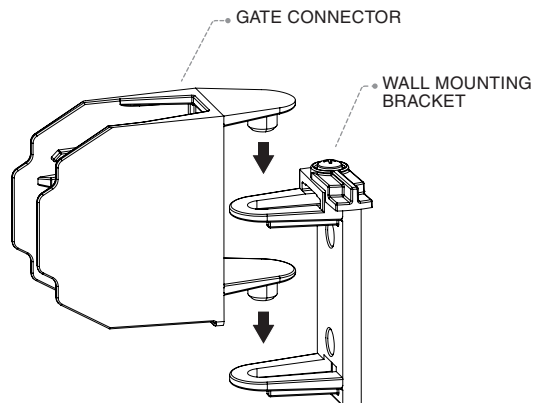
Attach two *gate connectors* to one of the free ends of your gate at the specified *mounting locations* shown below. The placement of the *gate connectors* will determine where your gate is attached to the wall. Repeat step for the other free end of the gate.



STEP 4

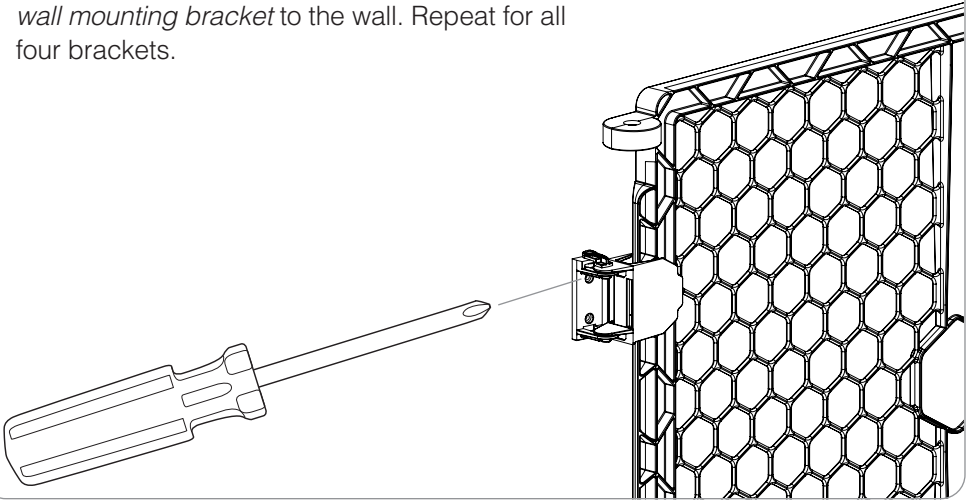
With the *gate connectors* attached to the gate, attach the *wall mounting brackets* to the *gate connectors*.

Repeat step for opposite end of gate.



STEP 5

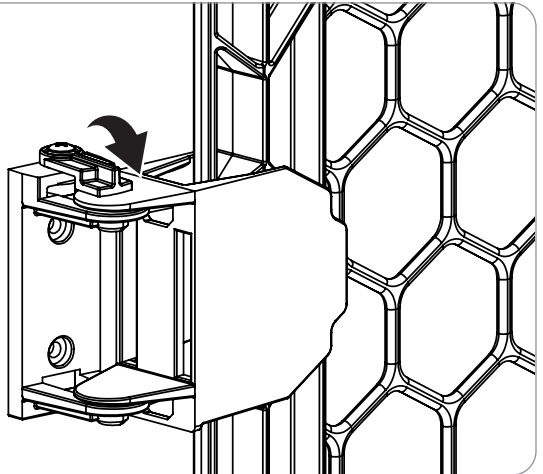
Use a Phillips/cross-head screwdriver to fix the *wall mounting bracket* to the wall. Repeat for all four brackets.



STEP 6

Rotate *wall mounting bracket* to the locked position.

Repeat step for remaining *wall mounting brackets*.



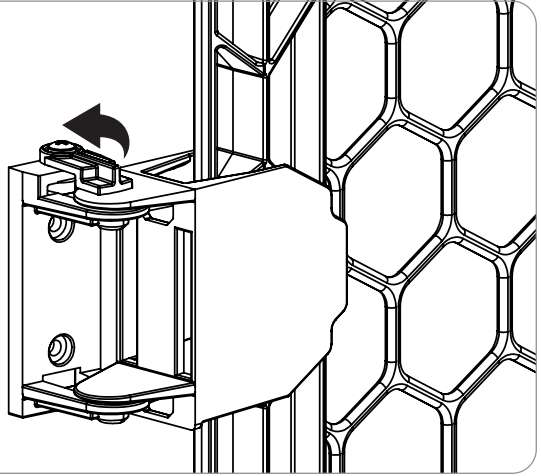
STEP 7

Arrange the panels to your desired configuration.

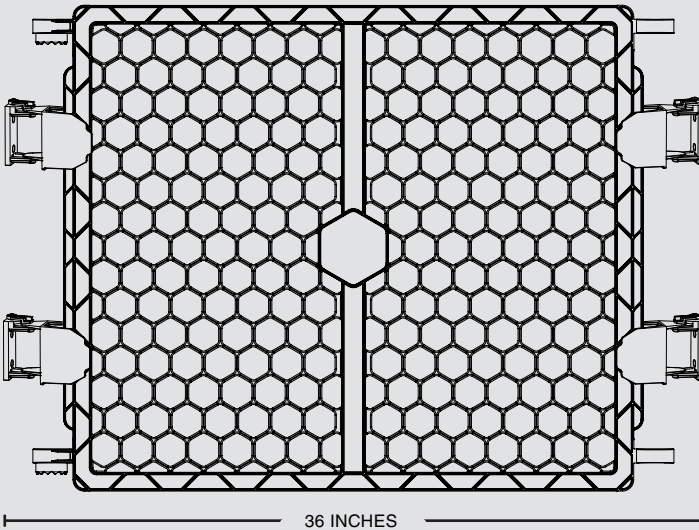
NOTE: When putting your gate away you can remove the gate panels without removing the *wall mounting brackets*.

STEP 8

To remove your gate, rotate all *wall mounting brackets* to the unlocked position. You are now able to detach the gate connectors from the *wall mounting brackets*.



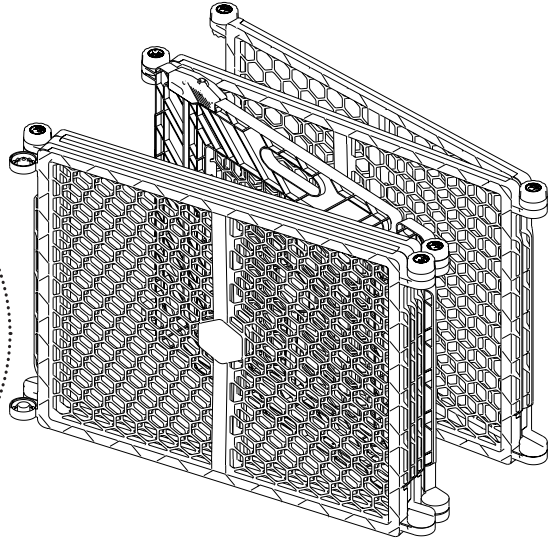
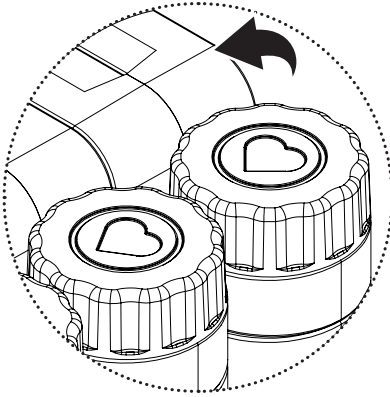
NOTE: This gate is designed to fit minimum width openings 36 inches wide to maximum width openings 192 inches wide.



Option B: Installing Your Gate as a Freestanding Enclosure

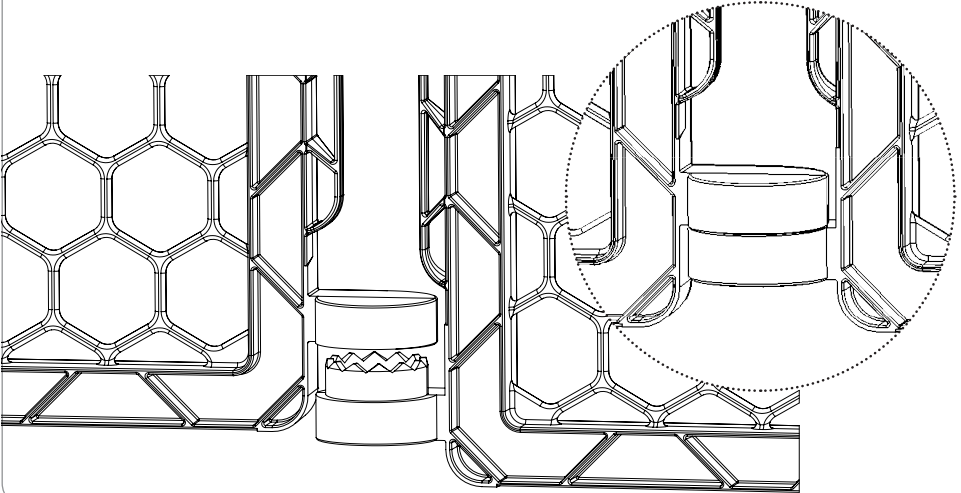
STEP 1

Unfold the *gate frame* at each pivoting joint by loosening each cap.



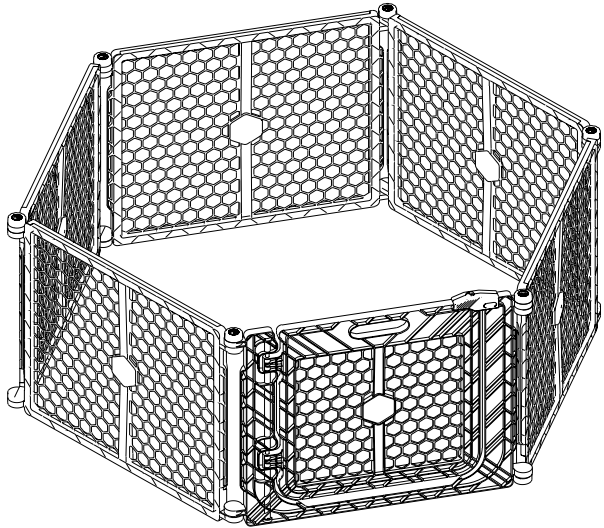
STEP 2

Position the play yard into your desired configuration, then join the free ends of the play yard together at the plastic joints.



STEP 3

Tighten the *locking knobs* to secure your play yard into your desired configuration.

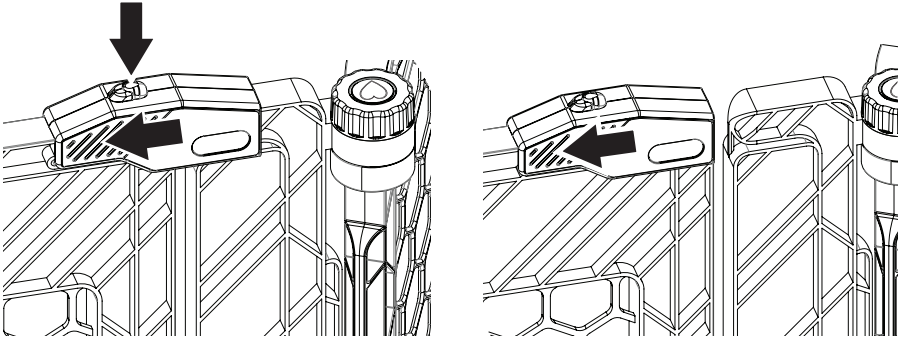


NOTE: When adding or removing additional panel units to the configuration, panels must be added or subtracted in sets of two for the freestanding enclosure to function properly.

Operating the Door Latch

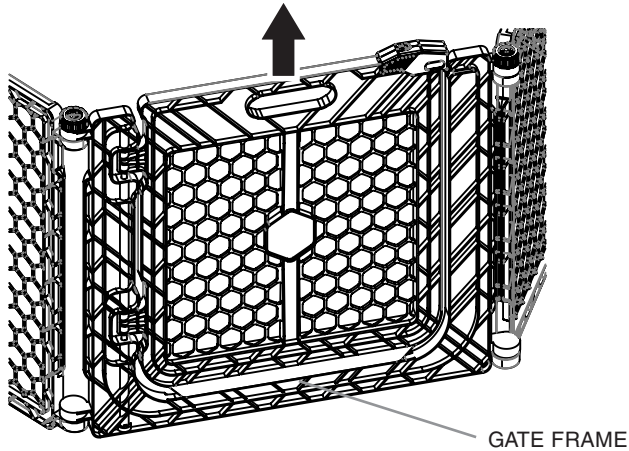
STEP 1

Press the release button down on the handle. Slide the handle back towards the hinge.



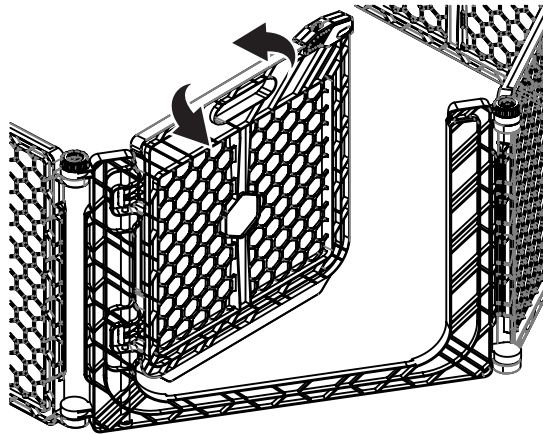
STEP 2

Lift door over gate frame by using center panel handle.



STEP 3

Swing in preferred direction to open gate door.



NOTE: When closing the gate you must do the same operation.

TO FOLD YOUR PLAY GATE

STEP 1: Detach two of the gate panels by unhooking the upper and lower knobs.

STEP 2: You will now be able to pull the play yard apart.

STEP 3: Fold and put away.

CARE AND MAINTENANCE

Periodically check the gate for signs of damage, wear, or missing components. Do not use if any part is missing, worn or damaged. Check the gate regularly to ensure all the hardware and mountings are tightened. Do not use abrasive cleaners or bleach. Clean by sponging with warm water and a mild detergent.

90 DAYS LIMITED WARRANTY

If, during the first 90 days after consumer purchase of the item, under reasonable and non-commercial use and conditions of maintenance, it fails while owned by the original purchaser because of the quality of materials or workmanship of finish and assembly, Regalo International, LLC, will replace or repair it at Regalo's option. PROOF OF PURCHASE REQUIRED.