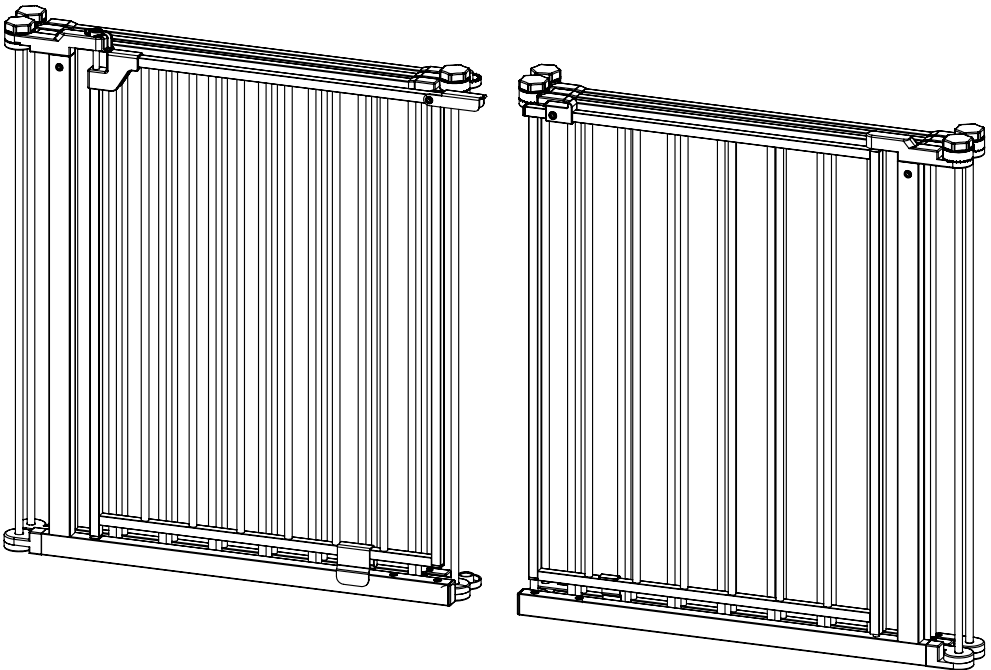




# Double Door Super Wide Safety Gate

OWNER'S MANUAL MODEL: 1348, 1348DS




- READ ALL INSTRUCTIONS BEFORE ASSEMBLY AND USE OF GATE.
- KEEP INSTRUCTIONS FOR FUTURE USE.

 [www.regalo-baby.com](http://www.regalo-baby.com)

 Regalo International, LLC.

3200 Corporate Center Drive, Suite 100 / Burnsville, MN 55306, USA

 866.272.5274 (U.S. only) or 952.435.1080

Made in China



# Before Using Product

---

Read and follow all instructions carefully to ensure that your gate and extensions are properly installed. Improper installation could result in the gate becoming unstable or dislodged from the doorway. Always make sure the extension is securely attached to the gate before using. The safety of your child is your responsibility. Please keep these instructions for your reference.

## **IMPORTANT**

- The four mounting brackets must be used in securing the gate to the wall. These brackets prevent the gate from dislodging from its opening and becoming unstable.
- If hardware mounting to a surface other than drywall or wood, please consult with a professional about installation.
- The maximum width of this gate is 192 inches.



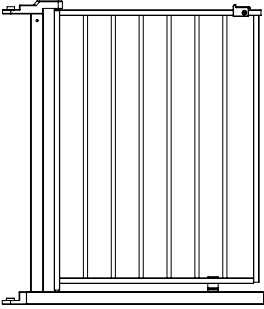
## WARNING

- To prevent serious injury or death, securely install gate or enclosure and use according to manufacturer's instructions.
- Children have died or been seriously injured when gates are not securely installed. ALWAYS install and use gate as directed using all required parts.
- STOP using when a child can climb over or dislodge the gate.
- Use only with the locking/latching mechanism securely engaged.
- To prevent falls, NEVER use at top of stairs.
- NEVER use to keep child away from pool.
- Intended for use with children between 6 and 24 months.
- Always ensure the gate is resting against the floor before beginning installation.
- This product will not necessarily prevent all accidents. NEVER leave child unattended.
- Check the gate regularly to see if all the hardware and mountings are tightened.
- Do not use if any components are missing or damaged.
- Adult assembly required.

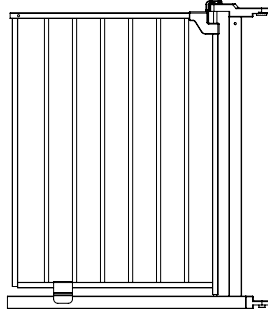
# Before Assembly

---

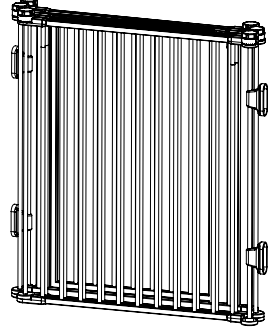
**A**



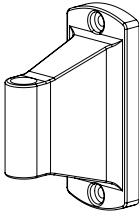
**B**



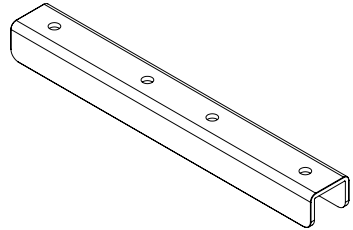
**C**



**D**



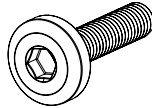
**E**



**F**



**G**



**H**



**PLEASE CHECK TO MAKE SURE YOU HAVE THE FOLLOWING PARTS:**

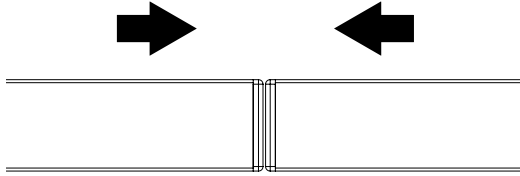
- A** *Primary Door Panel* (1)
- B** *Secondary Door Panel* (1)
- C** *Gate Frame* (6 Panels)
- D** *Plastic Mounting Brackets* (4 – Attached to Gate Frame)
- E** *U-frame Support* (1)
- F** *1" Wall Mounting Screws* (8) (requires a Phillips/cross-head screwdriver)
- G** *Frame Assembly Screws* (4)
- H** *Hex Key*

# Assembling Your Gate

---

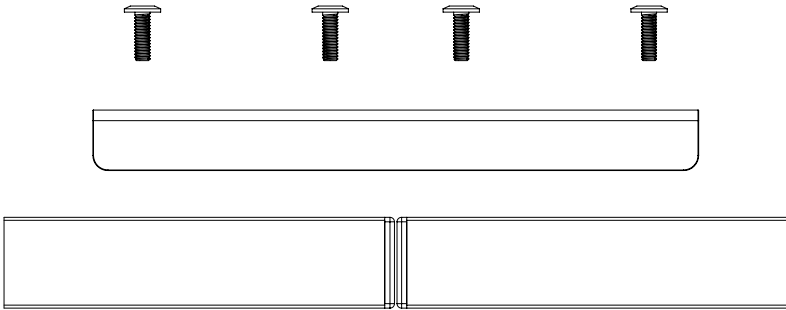
## STEP 1

Connect the double doors by pushing the door frames together until the bases meet.



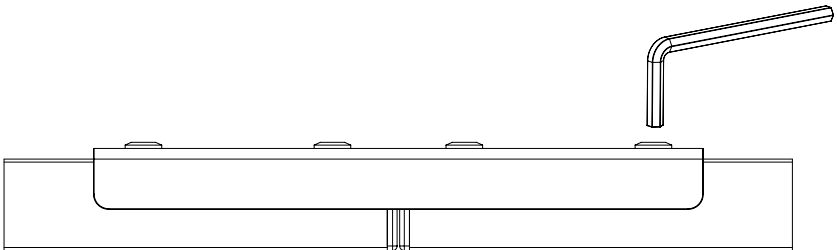
## STEP 2

Place the *U-frame support* on top of the connected door base and align screw holes.



## STEP 3

Use the hex key to fix the *U-frame support* to the door frame bases using the *frame assembly screws*.

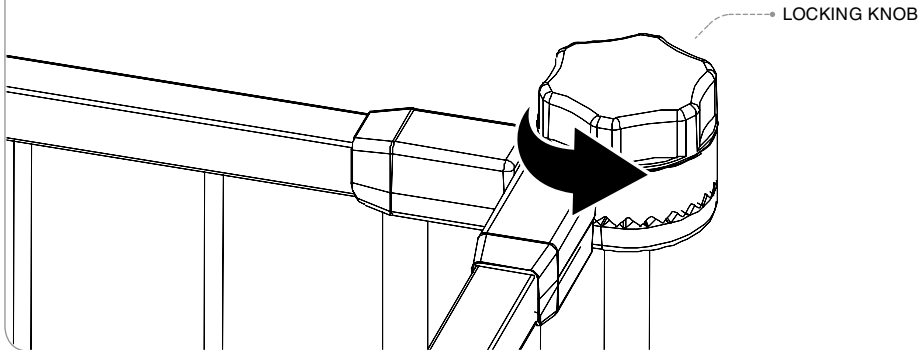


# Option A: Installing Your Gate Between Two Walls

---

## STEP 1

Unfold the *gate frame* by turning the *locking knobs* counter clockwise at each pivoting joint. Loosen the knobs enough to allow the gate to swing open freely without fully removing the knobs.

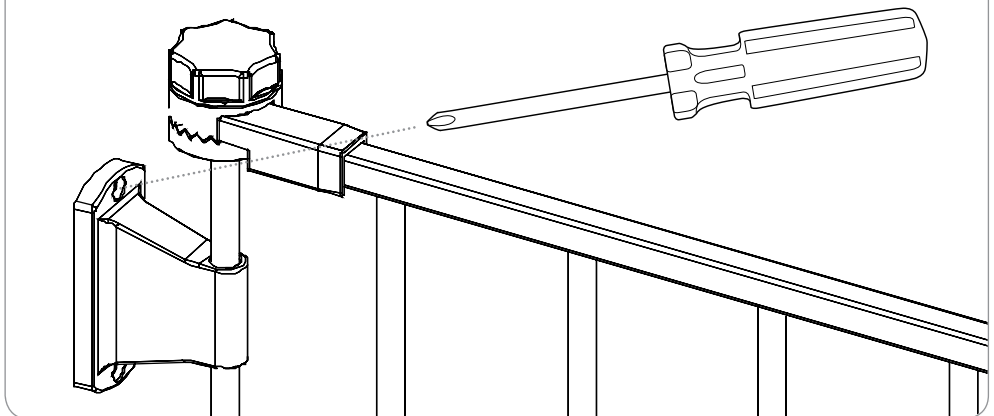


## STEP 2

Arrange the gate panels to your desired configuration to fit your opening properly.

## STEP 3

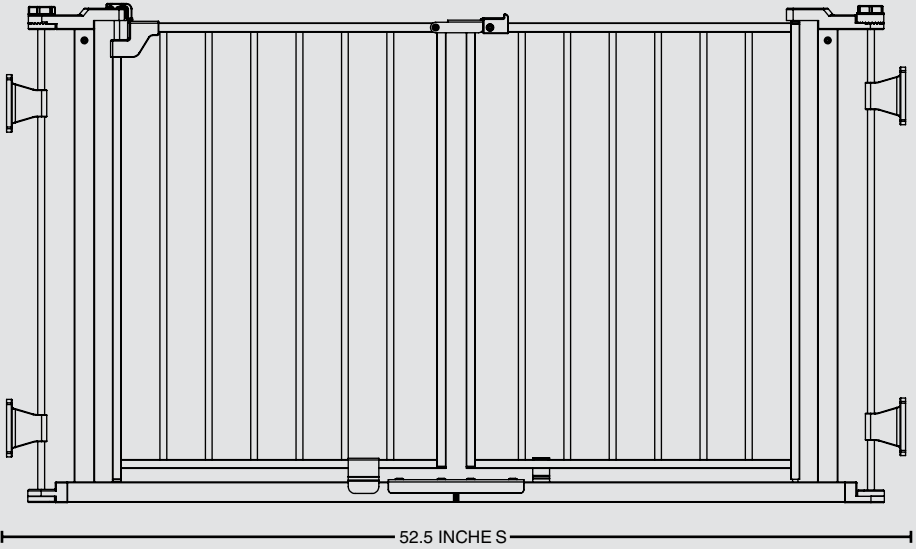
Use a Phillips/cross-head screwdriver to fix the *wall mounting bracket* to the wall. Repeat for all four brackets.



## STEP 4

Tighten all the *locking knobs* to secure your gate in place.

**NOTE:** This gate is designed to fit minimum width openings 52.5 inches wide to maximum width openings 192 inches wide





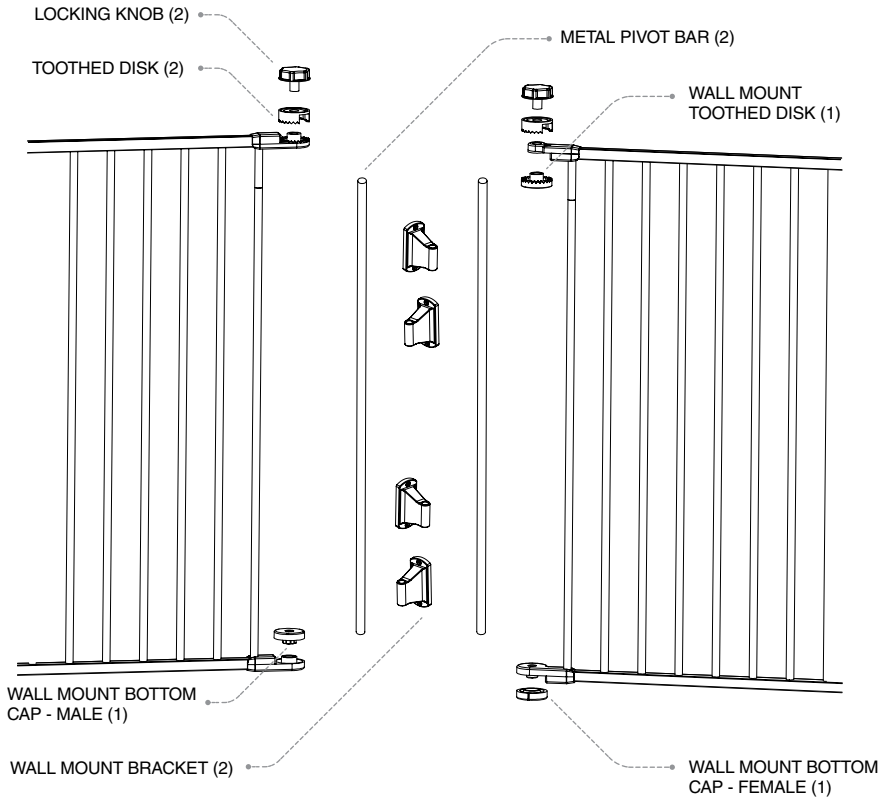
# Option B: Converting Your Gate to a Play Yard

## STEP 1

Unfold the *gate frame* by turning the *locking knobs* counter clockwise at each pivoting joint. Loosen the knobs enough to allow the gate to swing open freely without fully removing the knobs.

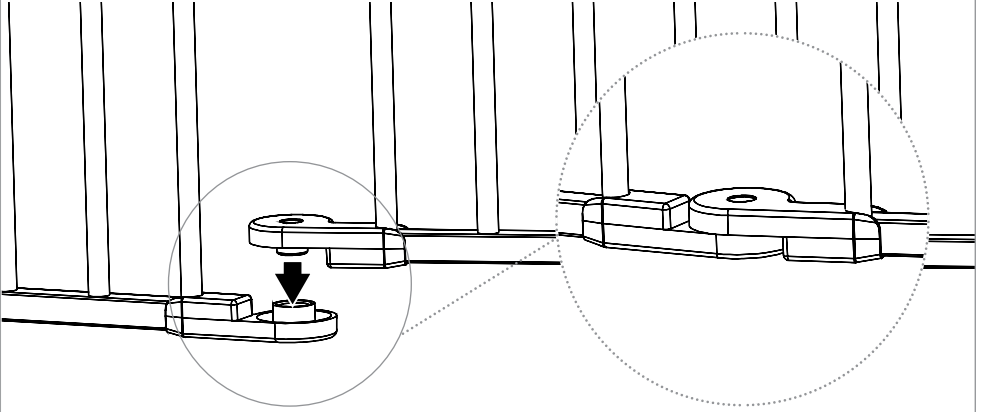
## STEP 2

Release the vertical metal pivot bars at each end of the play yard by removing the following parts from the assembly:



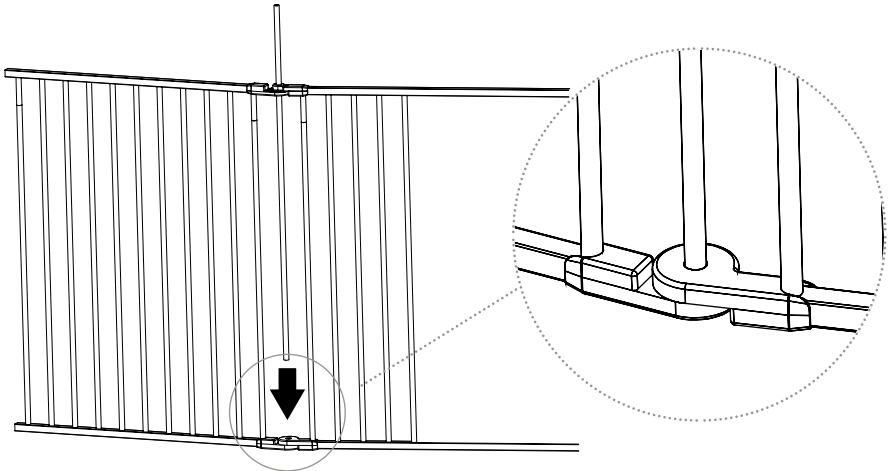
### STEP 3

Position the play yard into your desired configuration (e.g. square), then join the free ends of the play yard together at the plastic joints.



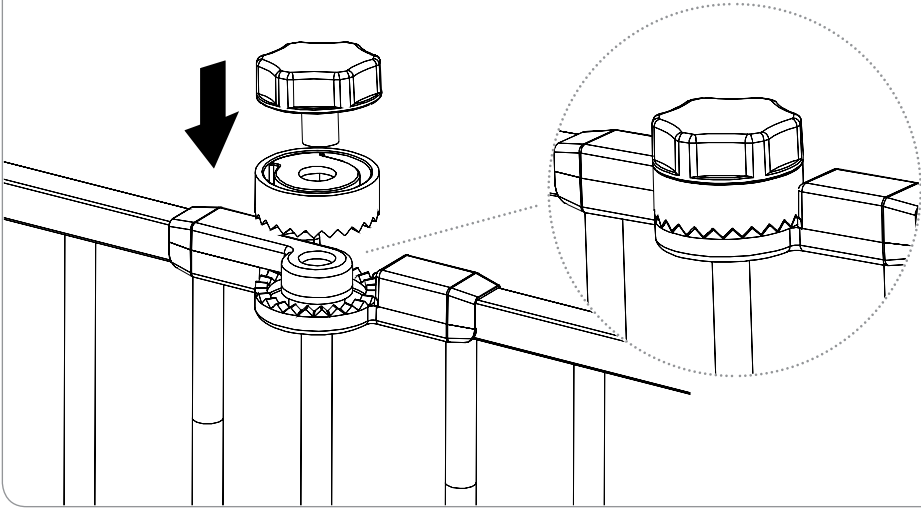
### STEP 4

Insert one of the previously removed *metal pivot bars* through the opening created by joining the upper plastic joints. Guide the *metal pivot bar* downward into the circular housing on the lower plastic joint.



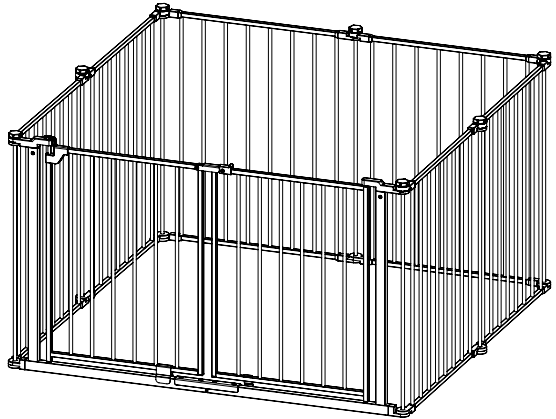
## STEP 5

Reassemble the upper locking joint by adding one of the previously removed *toothed disks* and *locking knobs*.



## STEP 6

Tighten each of the *locking knobs* by turning them clockwise, fixing the play yard into the configuration you have chosen. To position the play yard into a new configuration or shape, simply loosen each of the *locking knobs*, adjust and re-tighten.

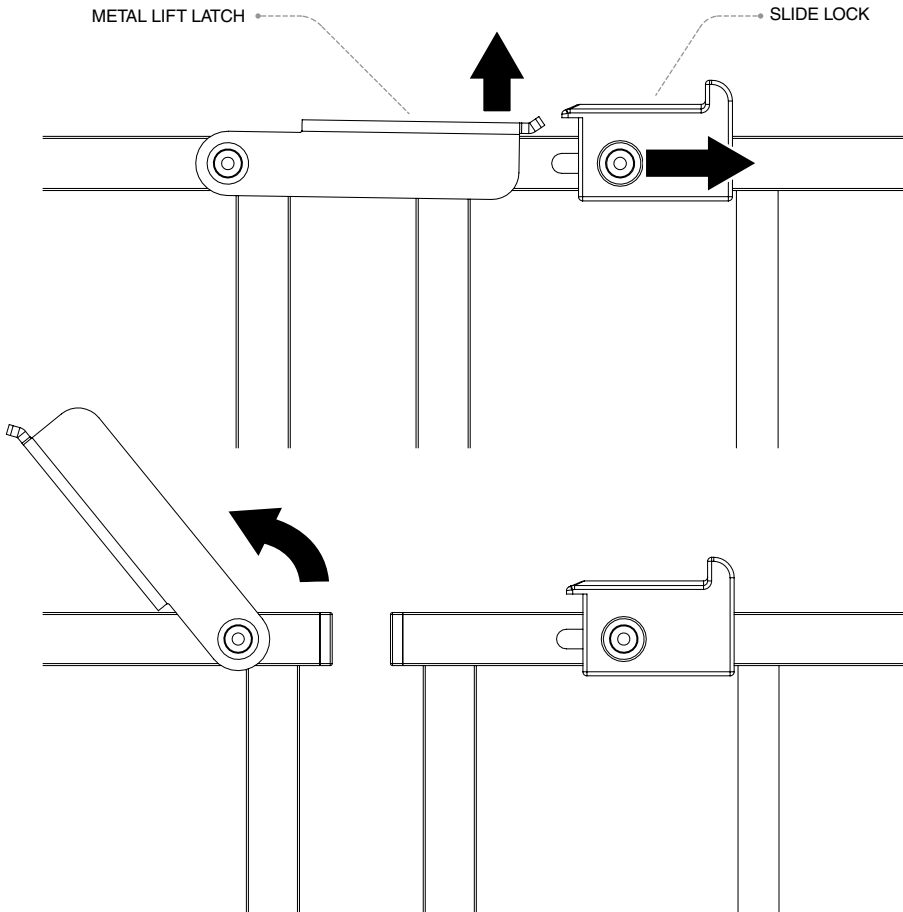


# Operating the Single Door

---

## STEP 1

Simultaneously slide the lock and lift up the *metal lift latch* to unlock the door. The primary door will swing open in one direction only.



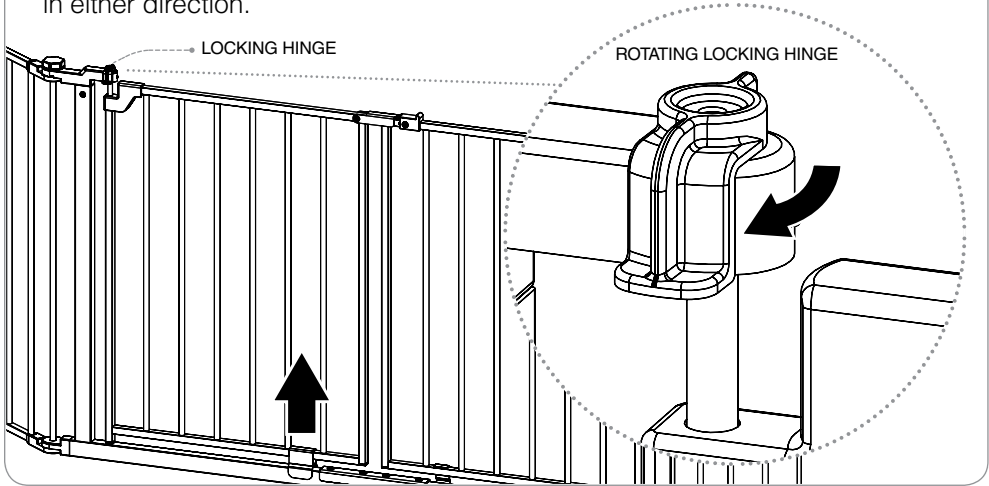
## STEP 2

To lock the gate, close the door completely and push the *metal lift latch* back into place.

# Operating the Double Doors

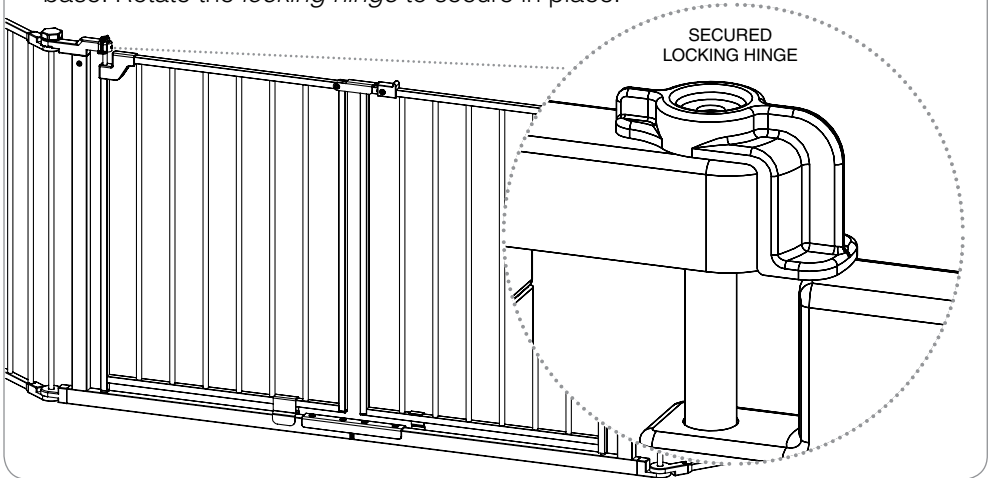
## STEP 1

After you have opened the primary door, rotate the *locking hinge* on the *secondary door*. Lift the door up and swing open. The *secondary door* will open in either direction.



## STEP 2

To close the *secondary door*, lift up on the door and place onto door frame base. Rotate the *locking hinge* to secure in place.



**NOTE:** *Secondary door* will only function when the *primary door* is open.

## TO FOLD YOUR GATE

**STEP 1:** Loosen all the *locking knobs* so the gate can move freely and become flexible at all the joints.

**STEP 2:** Remove one of the *locking knobs* from the gate and remove one metal pivot bar.

**STEP 3:** You will now be able to pull the two plastic joints at the top and bottom of the gate apart.

**STEP 4:** Fold and put away.

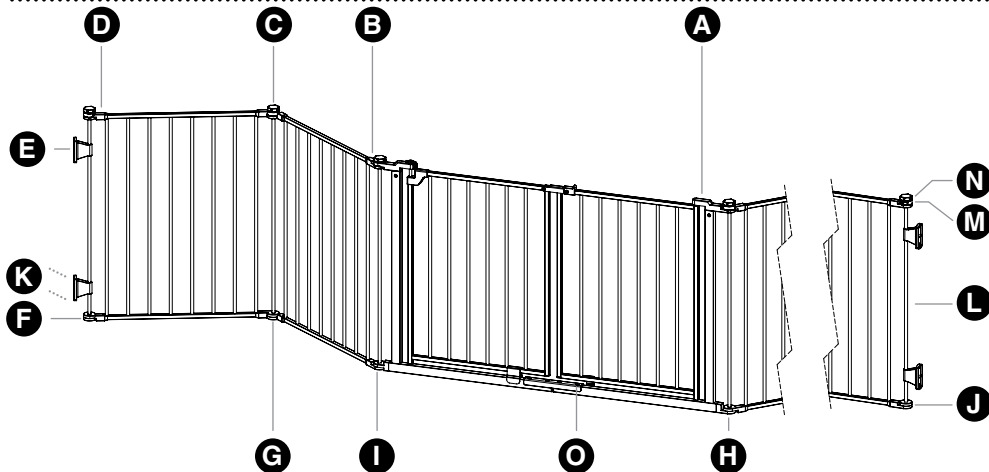
## CARE AND MAINTENANCE

Periodically check the gate for signs of damage, wear, or missing components. Do not use if any part is missing, worn or damaged. Check the gate regularly to ensure all the hardware and mountings are tightened. Do not use abrasive cleaners or bleach. Clean by sponging with warm water and a mild detergent.

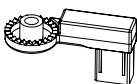
## 90 DAYS LIMITED WARRANTY

If, during the first 90 days after consumer purchase of the item, under reasonable and non-commercial use and conditions of maintenance, it fails while owned by the original purchaser because of the quality of materials or workmanship of finish and assembly, Regalo International, LLC, will replace or repair it at Regalo's option. PROOF OF PURCHASE REQUIRED.

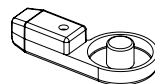
# Replacement Parts



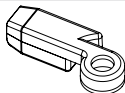
**A** *Door Frame Toothed Hinge*  
White = #13009



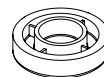
**I** *Bottom Hinge - Male*  
White = #13002



**B** *Top Hinge*  
White = #13011



**J** *Wall Mount Bottom Cap - Female*  
White = #13014



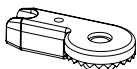
**C** *Locking Knob*  
White = #13005



**K** *1" Wall Mount Screws*  
#10001



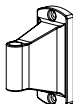
**D** *Toothed Hinge*  
White = #13012



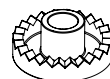
**L** *27" Metal Pivot Bar*  
White = #13008



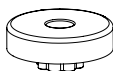
**E** *Wall Mount Bracket*  
White = #13007



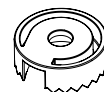
**M** *Wall Mount Toothed Disk*  
White = #13013



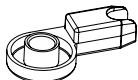
**F** *Wall Mount Bottom Cap - Male*  
White = #13010



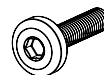
**N** *Toothed Disk*  
White = #13003



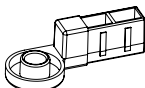
**G** *Bottom Hinge - Female*  
White = #13006



**O** *Frame Assembly Screw*  
#10050



**H** *Door Frame Bottom Hinge*  
White = #13141





[www.regalo-baby.com](http://www.regalo-baby.com)



**Regalo International, LLC.**  
3200 Corporate Center Drive, Suite 100  
Burnsville, MN 55306, USA



866.272.5274 (U.S. only) or 952.435.1080