

GENERARK

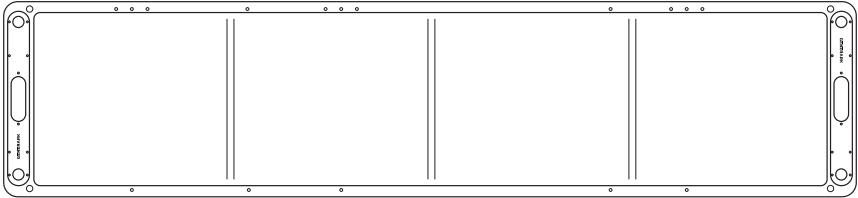
SolarPower 2

All-Weather Portable Solar Panel
200W / 18V

USER GUIDE

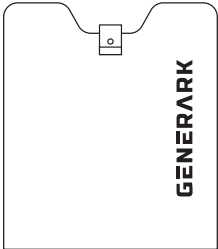
In the Box

1



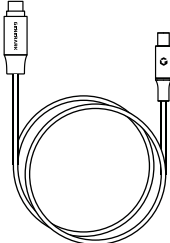
1x Solar Panel

2



1x Carrying Case

3



1x 10-Foot Cable

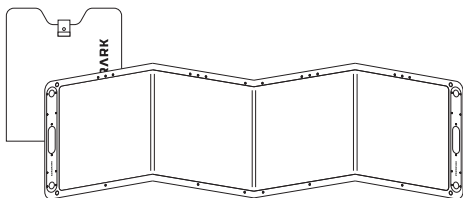
4



1x User Guide

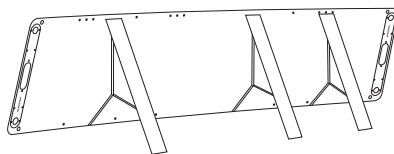
30-Second Hassle-Free Set-Up

1



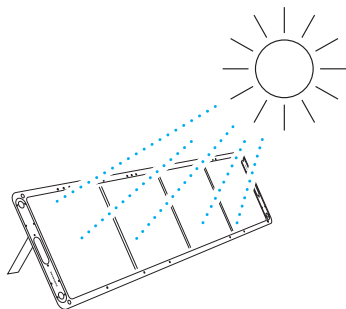
Unfold the Panel

2



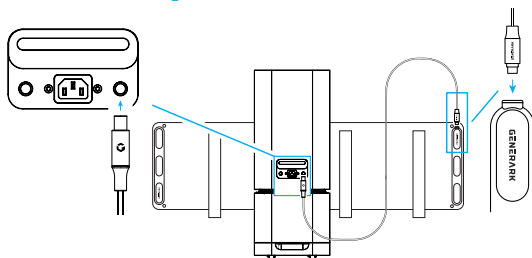
Open the Kickstands

3



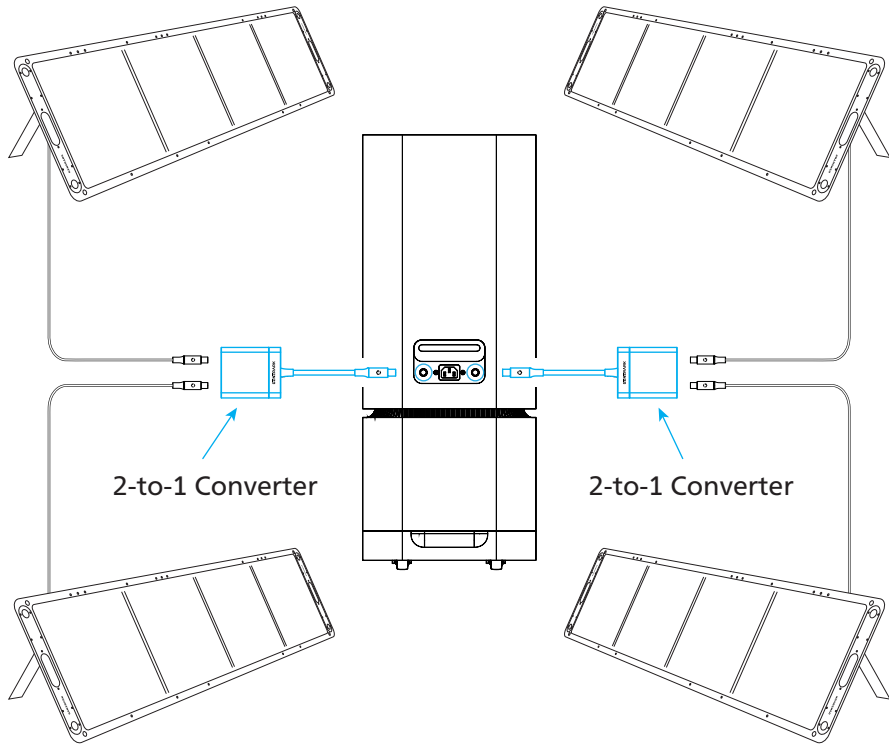
Face the Sun

4



Connect the Charging Cable

Setting Up 2 or 4 Panels



The 2-to-1 converter is not included in the box.
It is sold separately or comes in a separate package.

Specifications

Solar Cells:

- Type: Monocrystalline
- Number of Solar Cells: 64
- Transformation Efficiency (EFF): $\geq 23.4\%$

Power:

- Max Power (Pmax): 200W
- Open Circuit Voltage (Voc): 23.2V
- Short Circuit Current (Isc): 11.76A
- Max Power Voltage (Vmp): 18V
- Max Power Current (Imp): 11.12A

Outputs:

- 1x 8mm charging port (to charge the Generark HomePower 2 unit)

Dimensions & Weight:

- Dimension (folded): L 24" x W 21" x H 1.73" (61.5 x 54 x 4.4 cm)
- Dimension (unfolded): L 91" x W 21" x H 0.98" (232 x 54 x 2.5 cm)
- Weight: 17.86 lbs (8.1 kg)

Temperature:

- Operating Temperature (Discharging): 14°F ~ 149°F (-10°C ~ 65°C)

Waterproof Rating:

- IP67: Dust-tight. No ingress of dust. Protection against the effects of immersion in water between 1cm and 1m (no greater than 3 feet) for 30 minutes.

Troubleshooting & FAQ

How do I get the greatest power output from the solar panel?

The power output of the solar panel varies depending on the weather conditions and the position and angle of the solar panel facing the sun. We recommend placing the solar panel in an open area with direct sunlight and face it to the sun at the direct 90° angle.

Why didn't it get 200W of power output from the solar panel?

The power output of the solar panel varies depending on the weather conditions and the position and angle of the solar panel facing the sun. 200W is the maximum power output arising from the solar panels facing the sun at a direct 90° angle in ideal weather conditions. In actual use, the output power may commonly be lower than 200W.

Can the solar panel charge or power up my devices and appliances directly?

No, you should use the solar panel to charge the Generark HomePower backup battery power station, and then charge or power up your devices and appliances from the HomePower power station (sold separately).

How do I clean the solar panel?

Dust and dirt on the surface should first be removed using a soft brush. Do not clean the solar panel with any corrosive cleaner, like bleach. Use a damp cloth to wipe the surface of the solar panel to remove any remaining residue. Any adhesive should be removed from the solar panel surface as soon as possible to avoid any potential damage to the panel.

Is the solar panel waterproof?

Yes, the solar panel is water proof with IP67 rating.

Safety Information



Do not bend the panel. The panel will be broken if it's bended more than 30°.



Do not clean the solar panel with any corrosive cleaner. Use a damp cloth to clean it gently.



Do not use or store the panel near any source of heat, such as a fireplace or a heater.



Do not put the panel into fire or apply direct heat to it.



Do not pierce the panel casing with a nail or other sharp object, break it open with a hammer, or step on it.



Do not attempt to disassemble the panel in any way.



Do not put the panel in contact with any corrosive materials.

Support

If you experience any problems with your Generark product(s), please contact our support team at generark.com/support or email us at support@generark.com

Website: www.generark.com