



FlexyMike Dual Ear Cardioid (DEC) Lightweight Unidirectional Headband Microphone <http://www.tablemike.com/en/flexymike-dual-best-headset-speech-recognition.php>

The **FlexyMike Dual Ear Cardioid – DEC**, is a lightweight (about 20g.) stainless steel headset microphone for professional Speech recognition, and other Voice dependent applications. Manufactured in the style of a traditional headband, the frame is covered with injected rubber protector that covers both ears for maximum working comfort. An extremely flexible gooseneck microphone boom, enables the consistent positioning of the microphone capsule and superior recognition accuracy with Dragon NaturallySpeaking®.

The **FlexyMike Dual Ear Cardioid – DEC** has a cardioid polar pattern, which allows for a narrow sound pickup. Its unique front mounted design effectively reduces background noise and popping sounds. The unidirectional microphone capsule excels in delivering exceptional voice clarity with outstanding background noise rejection, making it especially suitable for mobile users and notebooks or tablets working in very noisy environments.

The **FlexyMike Dual Ear Cardioid – DEC** has a polished cable sheathed with durable transparent plastic, along with a standard 3.5 mm gold-plate jack. The microphone capsule is acoustically matched for maximum performance with the **SpeechWare USB MultiAdapter** (<http://www.tablemike.com/en/speechware-usb-multiadapter.php>) and Speech recognition or VoIP applications. An additional extension cable is also provided for greater functionality.

Proper use of the **FlexyMike Dual Ear Cardioid – DEC** with Dragon NaturallySpeaking® requires the creation of a brand new User Profile, preferably with a good external USB Audio Adapter, or the Calibration and Training of the existing one.

Besides, it is crucially important that the user perfectly positions the microphone capsule, a few centimeters away from the corner of his mouth depending on his volume voice and quality of USB adapter. This may require some careful bending of the microphone boom from time to time.

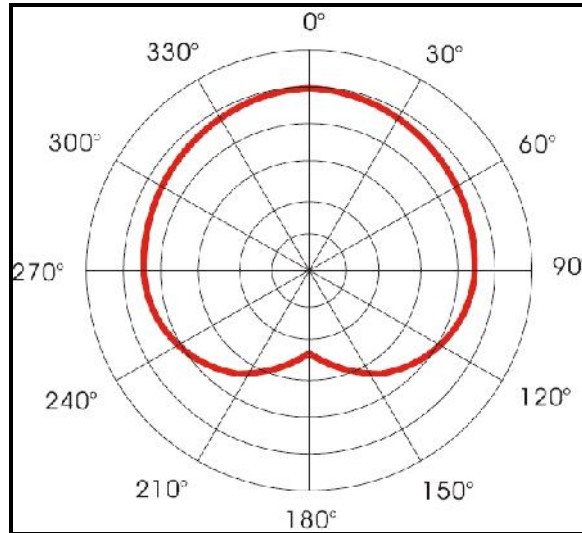
Specifications:

- Back Electret Condenser Element
- Unidirectional Polar Pattern
- Frequency Range, 50Hz ~ 18,000Hz
- Sensitivity: -66dB ± 3dB (0dB=1V/μbar@1KHz)
- Impedance: 1.500Ω ± 30% @ 1KHz (RL:2.2K, DC:1.5V)
- Operating Voltage: 1V – 10V
- Connector: standard 3.5 mm mono gold-plate plug
- Agency Approvals: FCC, CE, BC, IC

Accessories Provided:

- Short 1 m/40" Cable for notebooks, and an additional 2 m/80" Cable Extension for use with desktop computers
- Spare windshield
- Cable tie clip for user convenience
- Handy Cable Winder (check our How to use video clip!)
- Detachable mono Earbud for playback
- Microphone case for storage and transportation

Frequency Graph:



Polar Pattern:

