

A few simple steps to ensure  
perfect water, every time.





# We're Here to Help

---



We are also available  
for live video chat!

## Email Us:

support@avalonh2o.com  
sales@avalonh2o.com

## Availability:

Monday–Friday: 9 a.m.–5 p.m.

# Let's Connect

---

Follow our social media accounts and stay up to  
date on the latest Avalon news.



@avalon\_h2o



Avalon Water Coolers



Avalonh2o

[www.avalonh2o.com](http://www.avalonh2o.com)

# Use and Care Guide

MODELS: A5BOTTLELESS • A5BLK

## Registration

Please visit the website below to register your new water cooler within the first 30 days of purchase. Registration within the first 30 days will activate your one year warranty.

[www.avalonh2o.com/register-my-avalon-cooler](http://www.avalonh2o.com/register-my-avalon-cooler)

Please keep your model number, order number and purchase date for future support. You can reach us at 1-800-256-0695.

Model Number \_\_\_\_\_

Order Number \_\_\_\_\_

Purchase Date \_\_\_\_\_



Tested and Certified by NSF International against NSF/ANSI Standard 42 & 53 in model ASFILTER for the reduction of lead, chlorine, cyst.

REPLACEMENT ELEMENT



This ASFILTER is Tested and Certified by NSF International against NSF/ANSI Standard 42 for materials and structural integrity requirements.

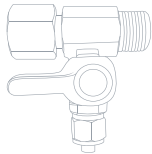
COMPONENT

# Contents

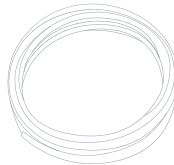
<b>About Your Water Cooler</b>	
Meet Your Avalon Product	1-2
Part Names	3-4
Indicator Lights	5
Tech Specs	6
Filter Function Introduction	7
<b>Getting Started</b>	
Unpacking	9
Installation (Under the Sink)	10-11
Installation (Refrigerator Water Line)	12
Flushing Filters	13-14
Finishing Water Cooler Installation	15-16
Activating Heating and Cooling	17
Installing and Removing the Drip Tray	18
<b>User Guide and Maintenance</b>	
Dispensing Water	20
Replacing the Filters	21-23
Leak Detection	24
<b>Cleaning</b>	
Self-Cleaning Function	26
Rinsing, Cleaning, and Draining	27-29
Cleaning	30-31
<b>Troubleshooting</b>	33-34
<b>Safety</b>	36-37
<b>Warranty</b>	39

## Meet Your Avalon Product

Inside the box, you'll find:



**Metal Adapter with Valve**  
(3/8" compression)



**PE Tubing**  
(20' length, 1/4" diameter)



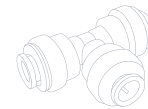
**Filter Flushing Adapter**



**Carbon Block Filter**



**Sediment Filter**



**Three Way  
Plastic Adapter**  
(1/4")

## Meet Your Avalon Product



### Attractive Design

Attractive stainless steel design with 3 water spouts



### Custom Temperature

Piping hot, cool, or crisp cold water



### Dual Stage Filtration

Double the filtration for twice the peace of mind



### Worry-Free Cleaning

Self-cleaning UV function for longer lasting water purification



### Built-in Nightlight

Makes late night water trips a breeze



### NSF Certified Filters

We meet strict standards for public health protection



### UL Listed

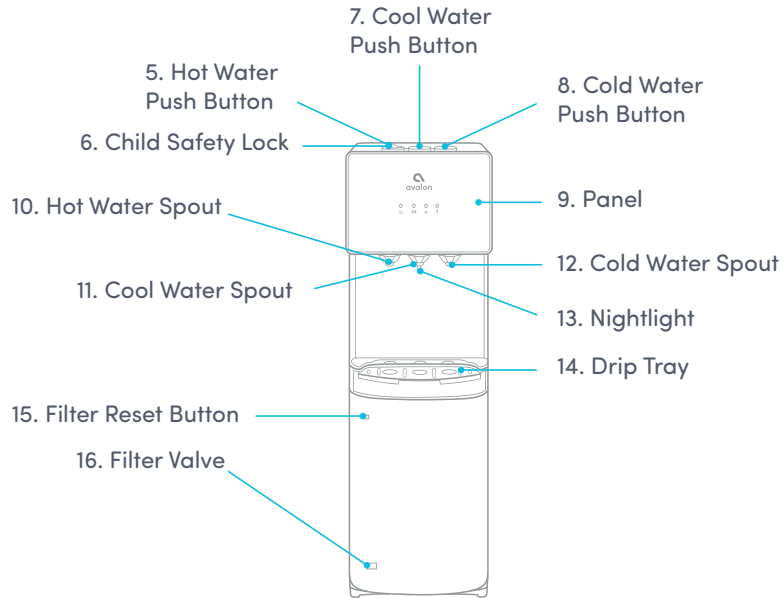
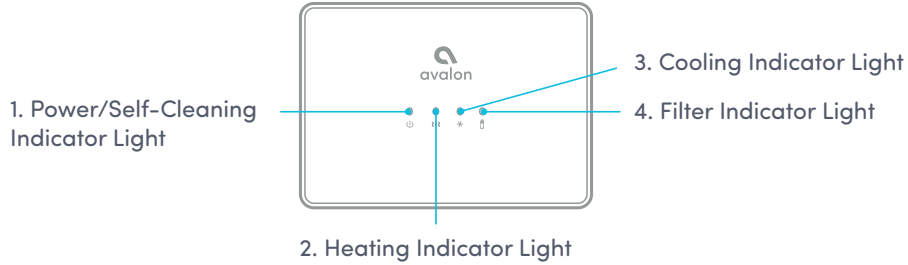
We design & manufacture with your safety in mind



### Child Safety Feature

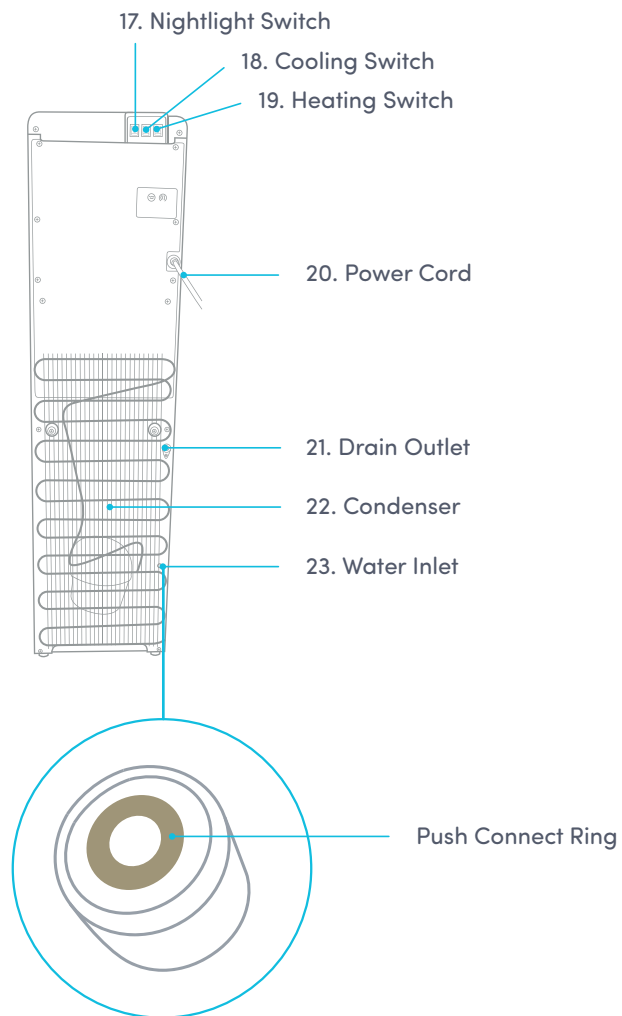
Ensures safe hot water flow for the entire family

# Part Names





# Part Names



## Indicator Lights



### Power/Self-Cleaning Indicator Light

This light will remain steady on to indicate that the unit is plugged in and the power is on. This will also let you know that the UV is working.



### Heating Indicator Light

This light will indicate when the water is heating. The light will remain on while the water is heating and will turn off when it has reached the correct temperature of 185°F. As the water is dispensed the hot tank will refill and the water will heat. As the water reheats this indicator light will turn on.



### Cooling Indicator Light

This light will indicate when the water is cooling. The light will remain on while the water is cooling and will turn off when it has reach the correct temperature of 47°F. As the water is dispensed the cold tank will refill and the water will cool. As the water cools this indicator light will turn on.



### Filter Indicator Light

This light will be red when the filter needs to be replaced. This light will begin to blink red as a warning that the filter will need to be changed soon. When the life of the filter is expired this indicator light will remain steady on and the unit will beep to alert you that it needs to be changed right away.

## Tech Specs

Model	A5BOTTLELESS
Avalon Models	A5BOTTLELESS • A5BLK
Hot/Cold/Cool Output	1.8L/min / 2.2L/min / 2.0L/min
Hot Water Capacity	4 L/H (≥ 185°F)
Hot Tank Volume	1.16 Liters
Cold Water Capacity	2.5 L/H (≤ 50°F)
Cold Tank Volume	3.6 Liters
Applicable Water Pressure	0.1-0.4 MPa
Applicable Water	Tap Water
Stage 1 Filtration	Sediment
Stage 2 Filtration	Carbon Block
Product Size	13"(L)x12"(W)x41"(H)
Packing Size	16"(L)x15"(W)x45"(H)
Net Weight/Gross Weight	36.15 lb/46.5 lb
Voltage/Frequency	115V 60Hz
Cooling Method	Compressor
Heating Method	Internal Element
Heating Watts/Cooling Watts	420W/100W
Power Consumption	520W

## Filter Function Introduction

Stage	Filter	Function
Stage 1	Sediment Filter	Course filtration of raw water to remove rust, dirt and sediment
Stage 2	Carbon Block Filter	Removes the water odor, residual chlorine, organic matter, and lead to improve taste

# Getting Started

# Unpacking Your Avalon Water Cooler

## Locating Dispenser

- Do NOT plug in the power cord yet.
- Place dispenser upright on a hard and level surface in a cool and shaded location near a grounded wall outlet. Position the dispenser so there is about 4 inches of clearance from the wall on the back and both sides.

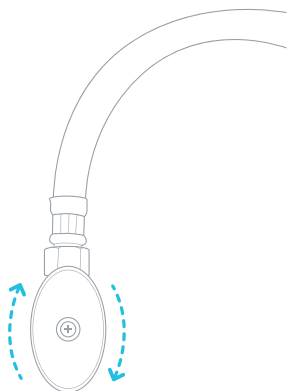
## Locating Accessories

- Unpack the product and install the drip tray by inserting it into place, see page 19.
- Take out the installation parts from inside the cabinet of the unit and follow the installation instructions on the next page.

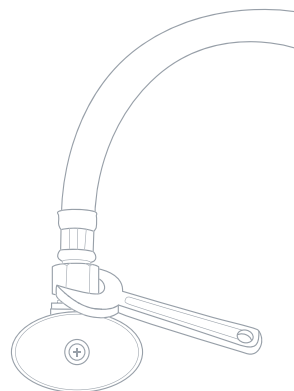
## Installation (Under the Sink)

### Installing the Metal Adapter with Valve

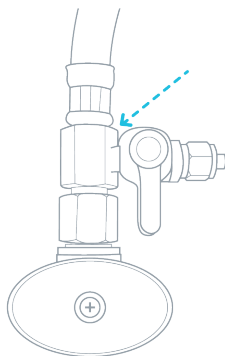
1. Turn off the current cold water supply that is the source of water to your sink.



2. Disconnect the current cold water supply line under your sink.



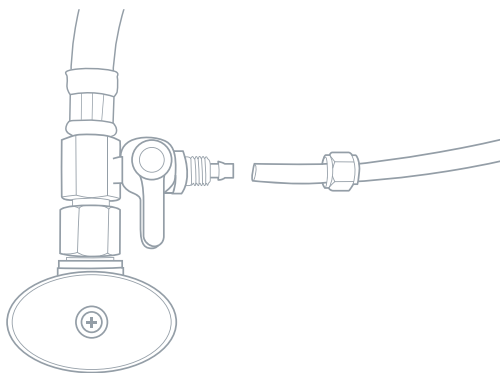
3. Connect the Metal Adapter with Valve between the cold water supply line and cold water valve.



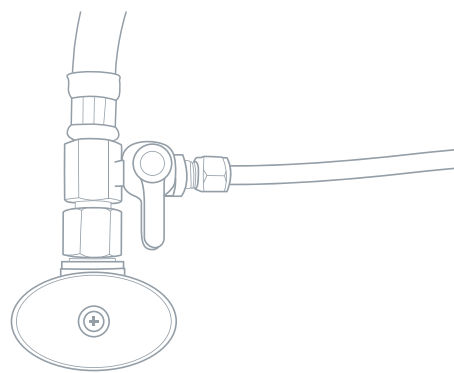
## Installation (Under the Sink)

### Installing the Metal Adapter with Valve

4. Remove the nut from the Metal Adapter with Valve and insert the PE Tubing through the nut. Slide the PE Tubing onto the protruding part of the Adapter where the nut was located until it reaches the threading.



5. Screw the nut tightly into place to keep the PE Tubing securely connected to the Metal Adapter with Valve. Make sure the Valve is in the off position (perpendicular to the PE Tubing).

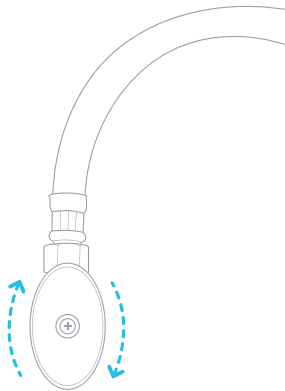




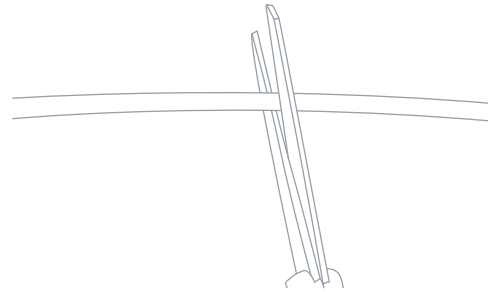
# Installation (Refrigerator Water Line)

## Installing the Three Way Plastic Adapter

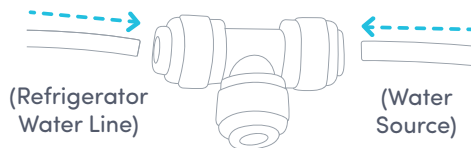
1. Turn off the current cold water supply that is the source of water to your refrigerator line.



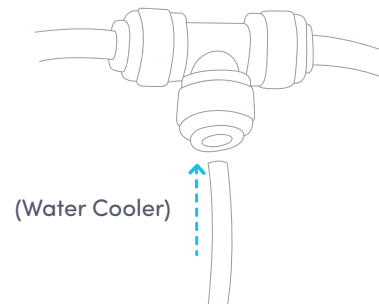
2. Cut the current 1/4" Tubing that is connected to the back of your refrigerator or ice maker near the end of it that is currently inserted into the refrigerator.



3. Insert each cut end of the existing 1/4" Tubing into one of the holes of the Three Way Plastic Adapter.



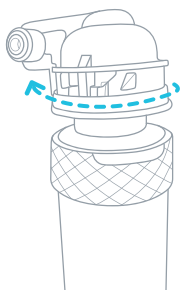
4. Insert one end of the PE Tubing that is supplied with the water cooler into the third opening of the Three Way Plastic Adapter.



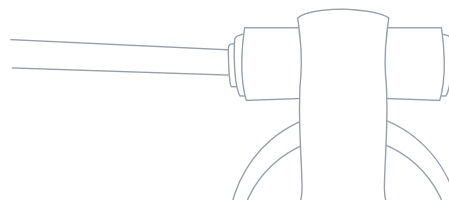
## Flushing Filters Prior to Use

Before continuing with installation, it is recommended that you flush both filters for approximately 2 minutes.

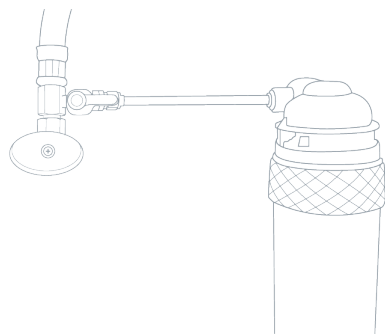
1. Twist the filter into the provided Filter Flushing Adapter by rotating it clockwise.



2. Take the open end of the PE Tubing that is now connected to your water supply and insert it into the left inlet hole on the Filter Flushing Adapter in the direction of the arrow.

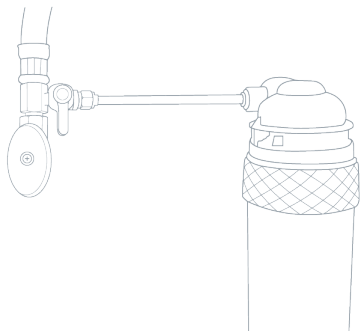


3. Hold the filter with the Filter Flushing Adapter in place over a sink. Turn the Valve of the Metal Adapter at the water source to the on position (the on position is parallel to the PE Tubing) and allow the water to flow through the Adapter and the filter for approximately 2 minutes to flush the new filter.

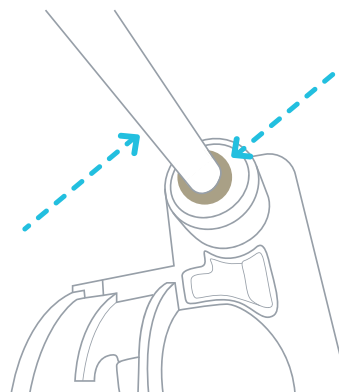


## Flushing Filters Prior to Use

4. Turn the Valve of the Metal Adapter at the water source back to the off position, remove the filter from the Filter Flushing Adapter.



5. Remove the end of the PE Tubing from the Filter Flushing Adapter by pressing in on the push connect ring and pulling out the PE Tubing.

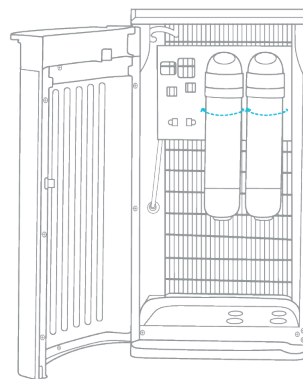
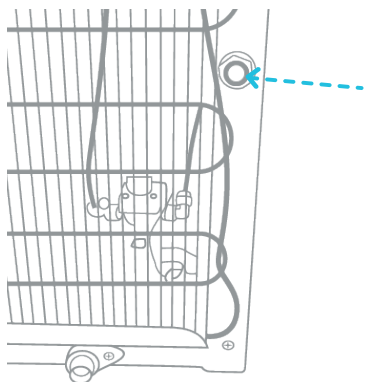


Repeat steps 1-5 for flushing the Carbon Block Filter.

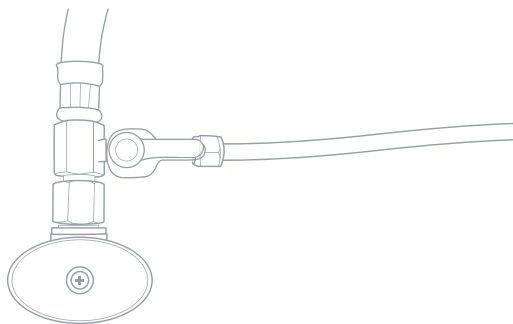
## Finishing the Water Cooler Installation

Once you have flushed the filters and removed the filters and PE Tubing from the Filter Flushing Adapter, you are ready to complete the installation process.

1. Remove the plug from the water inlet (#23) located on the back of the unit. To do this press on the push connect ring that is behind the plug. Push the open end of the PE Tubing into the water inlet (#23). Make sure the PE Tubing is tight and secure.
2. Open the cabinet door of the unit. Twist the filters into the filter heads in the cabinet by rotating them clockwise. The Sediment Filter should be on the left and the Carbon Block Filter should be on the right.

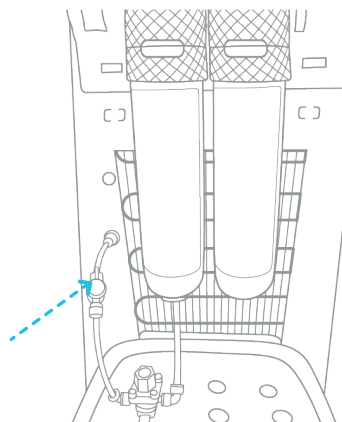


3. Turn the Valve for the water source back on (the on position is parallel to the PE Tubing).

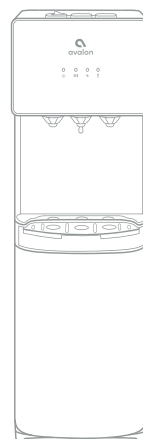


## Finishing the Water Cooler Installation

4. Turn on the Valve that is located to the left of the filters inside of the cabinet (the on position is parallel to the PE Tubing).



5. After installation of the water line and filter is complete, plug the power cord into a grounded wall outlet and begin to use the machine. Please allow the machine about 10-15 minutes for the water to fill in the tanks before use. Continue on for instructions on usage.



10-15  
min

## Activate Heating and Cooling

Before turning on the heating (#19) or cooling (#18) switches, ensure water is already filling inside the inner tanks by dispensing a drop of water from the hot (#10) and cold (#12) spouts.

To activate the cold water, push the cooling switch (#18) into the on (I) position by pushing the top of the switch in. If you do not wish to have cold water you can leave the switch in the off (O) position.

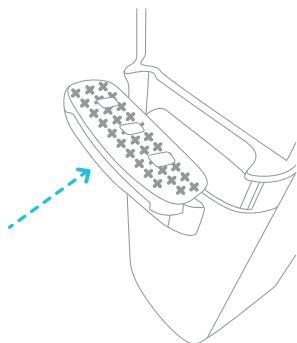
To activate the hot water, push the heating switch (#19) into the on (I) position by pushing the top of the switch in. If you do not wish to have hot water you can leave the switch in the off (O) position.

Please allow 15 minutes for the hot water to be heated. During this time the heating indicator light (#2) will be steady. The light will turn off when the heating process is complete. Please allow 1 hour for the cold water to be cooled. During this time the cooling indicator light (#3) will be steady. The light will be turned off (O) when the cooling process is complete. If any error occurs in the heating or cooling process, the indicator light will blink.

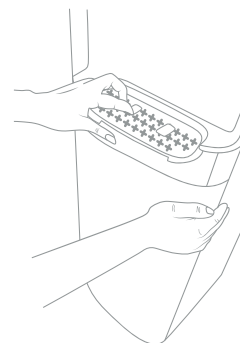
## Installing and Removing the Drip Tray

No external drain is needed, the overflow will collect here. The red float will rise to indicate when the drip tray needs to be emptied.

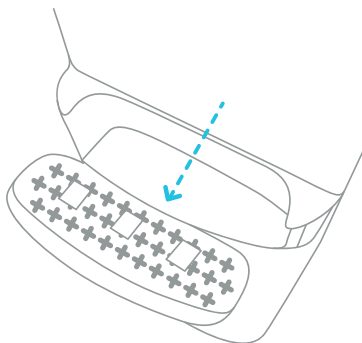
1. To install the drip tray, simply slide it into the area at the top of the door until it snaps into place.



2. To remove the drip tray, place your fingers in the grid of the drip tray with one hand and hold the door of the cooler shut with the other.



3. Gently pull the drip tray toward you to release it. Once it has been released you can remove the drip tray from the door of the cooler to empty it.



# User Guide and Maintenance



## Dispensing Water

### Cold Water

Once you have turned the cooling switch (#18) into the on (I) position it will take initially 1 hour for the water to cool. During this time the cooling indicator light (#3) above the cold water icon will be steady. During this time the compressor could run continuously. This is normal. The light will be turned off when the cooling process is complete.

1. Position a bottle, glass, pitcher or cooking pot below the cold water spout (#12).
2. Depress the cold water push button (#8) downward to begin the flow of water.
3. Once the desired fill level is achieved release the cold water push button (#8).

### Cool Water

1. Position the bottle, glass, pitcher or cooking pot below the cool water spout (#11).
2. Depress the cool water push button (#7) downward to begin the flow of water.
3. Once the desired fill level is achieved release the cool water push button (#7).

### Hot Water

Once you have turned the heating switch (#19) into the on (I) position it will take initially 15 – 20 minutes for the water to heat up. During this time the heating indicator light (#2) above the hot water icon will be steady. The light will be turned off when the heating process is complete.

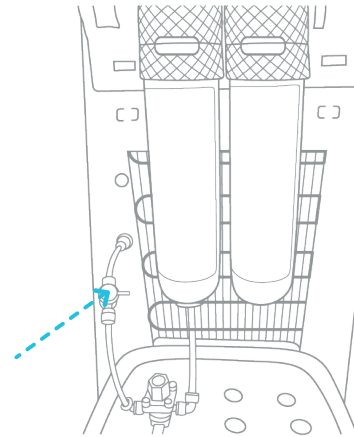
1. Position a bottle, glass, pitcher or cooking pot below the hot water spout (#10).
2. Slide the red child safety lock (#6) to the left and depress the hot water push button (#5) downward to begin the flow of water. You must hold the child safety lock (#6) and push the button at the same time.
3. Once the desired fill level is achieved release the hot water push button (#5).

## Replacing the Filters

1. When lifetime of the filter is near its end, either by means of water flow or by means of 6 months time, the filter indicator light (#4) on the right side of the front panel will blink red as a warning. When the filter lifetime is up, the indicator light will be steady red and the machine will beep to let you know that the filter needs to be changed.

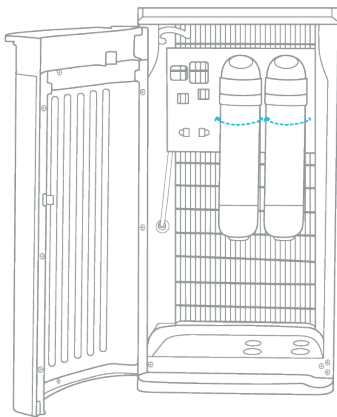


2. Shut off the Valve located at the connection to the water source or the Valve located to the left of the filters inside of the cabinet.

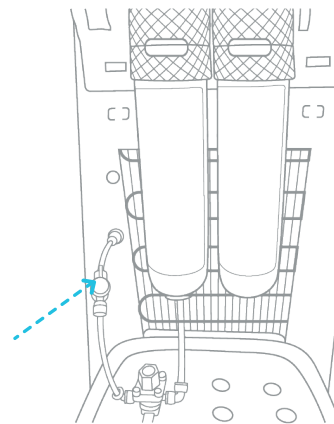


## Replacing the Filters

3. Twist the expired filters to remove them. Insert the new filters into the Filter Adapters by twisting them into place and rotating them clockwise.

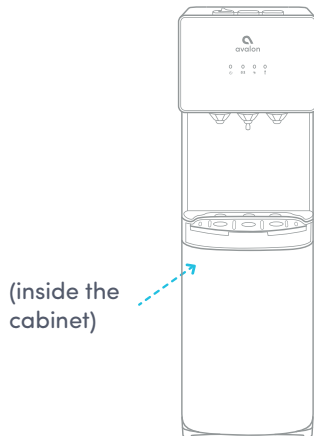


4. Turn on the Valve that was previously shut off. This Valve will be located at the connection to the water source or located to the left of the Sediment Filter.

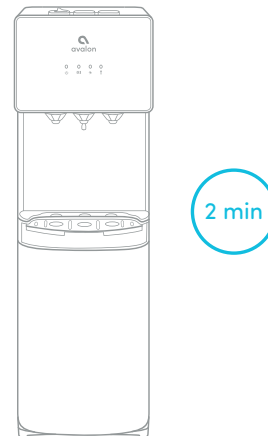


## Replacing the Filters

5. After replacing the filters, press and hold the Filter Reset Button (#15) located on the upper left side of the cabinet. Press and hold this button until the filter indicator light (#4) turns off.



6. In order to flush the new filters, allow the water to flow from the cold water spout (#12) for approximately 2 minutes.



## Leak Detection



Our machines are equipped with a high-tech leak detector that will alert you of any potential leak. At the same time the machine will automatically shut off any intake of water to prevent a potential flood. In the event of a possible leak, the heating indicator light (#2), cooling indicator light (#3) and filter indicator light (#4) will start blinking and a beep will sound. Please check around the machine for any leaking water and determine the source of it. If you find the source of the leak, you can call our support line for assistance in fixing it. If you do not find the source of this leak, it may have been caused by accidental spillage of water or from a filter change. The leak detector is located on the lower back left corner of the cabinet. Unplug your water cooler and ensure the area around this sensor is completely dry including the notch. Once the area and sensor are dry, plug the machine back in and the beeping and blinking indicator lights will stop and the machine will be ready to use as normal again.

# Cleaning

## Self-Cleaning Function

The water cooler has a built-in automatic UV cleaning system that kills the bacteria inside the machine. The UV cleaning will run on automatic intervals as the machine is being used.

This is a harmless and effective method for ensuring the water inside the machine stays bacteria-free.

## Rinsing, Cleaning, and Draining

To prolong the lifetime of the machine, it is recommended that the unit be cleaned and sanitized manually about every six months.

### To clean the outside of the unit

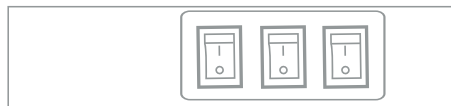
Use a disinfectant of your choice to wipe down the outside of the machine.

Disinfectant does not come with this unit. It can be purchased separately from a local store.

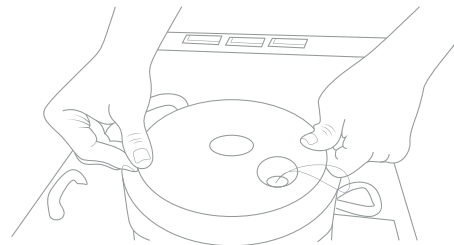
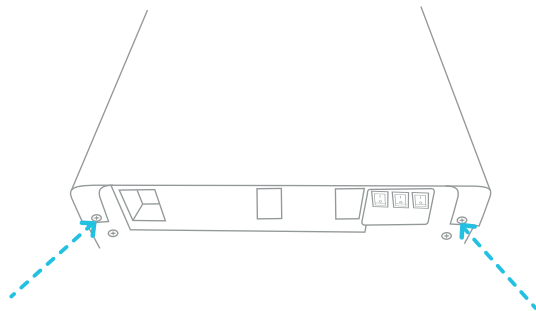
### To rinse the inside of the unit

The machine has been disinfected prior to departing from the factory. However, it is recommended to rinse and drain the unit prior to installation.

1. Before cleaning, make sure that the cooling switch (#18) and heating switch (#19) are in the off (O) position and unplug the machine.



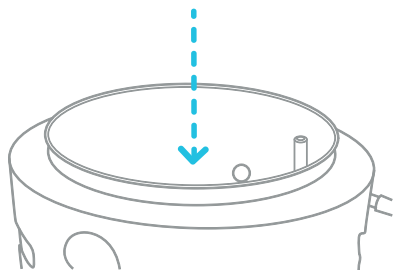
2. Remove the two screws located on the back (at the top, in line with the switches) of the cooler. Remove the top cover by lifting at an angle and pull off. Remove the white cold water tank cover and the separator.



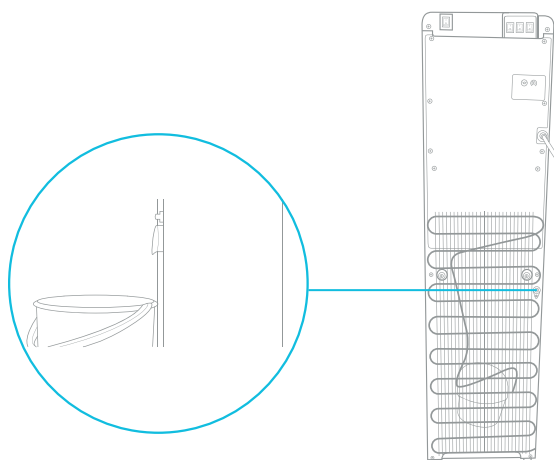


## Rinsing, Cleaning, and Draining

3. Pour 0.6 gallons of clean water into the cold tank. (The cold water tank is the open cylinder that the white cover was removed from).



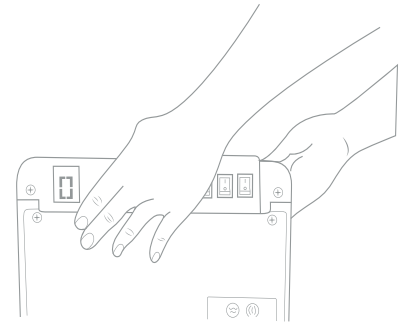
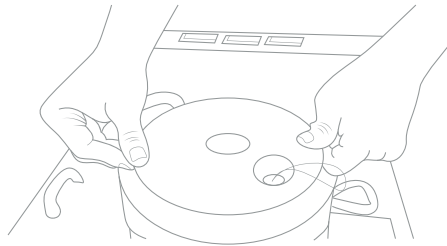
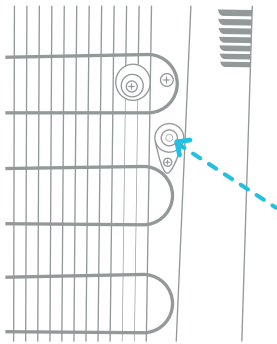
4. Place a large bucket beneath the drain outlet (#21) located on the back of the unit. Remove the drain cover and allow the water to drain from the unit. Water will start flowing as soon as the drain cover is removed.



**Caution:** The dispenser will heat water to a temperature of approximately 185°F. It can cause severe burns if not handled carefully. Please use caution while operating and cleaning. Please allow ample time for any hot water inside the machine to cool down before draining it.

## Rinsing, Cleaning, and Draining

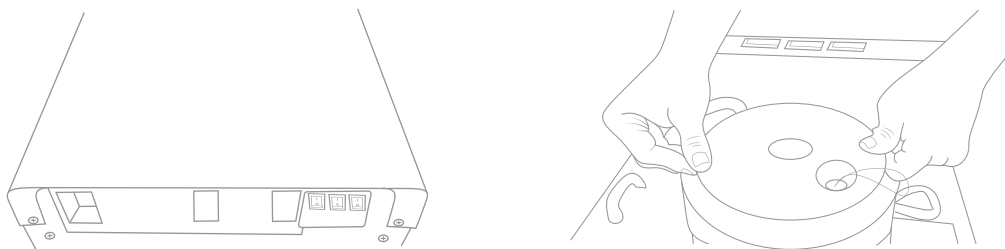
5. Once water is completely drained, reposition the drain cover, cold tank cover and the top cover. Ensure that the pipes and wires are connected properly and you may use the dispenser as normal.



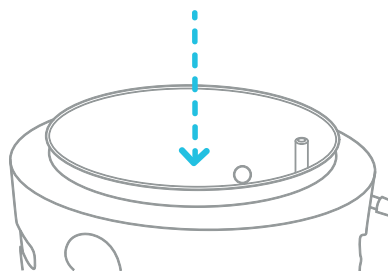
## Cleaning

To remove mineral deposits that may have built up inside the the cold tank, mix 4 L of water with 200 g of citric acid crystals (not included) or cleaning solution of your choice.

1. Unscrew the top cover and lift off the cold tank lid.

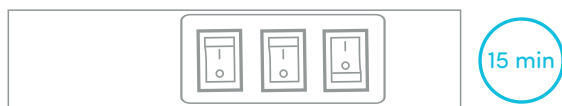


2. Put the mixture into the machine's cold tank and make sure the water can flow out of the hot water spout (#10).

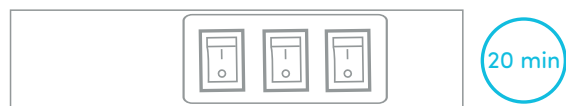


# Cleaning

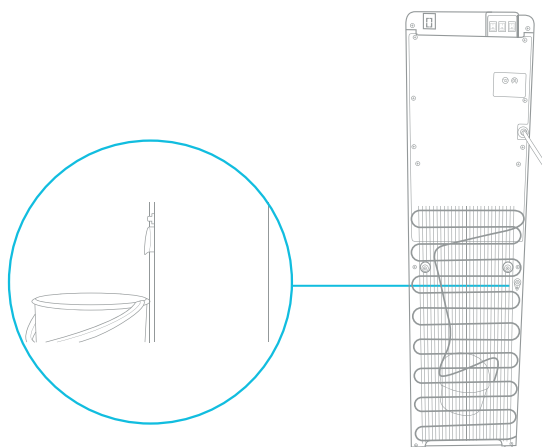
3. Plug in the power cord and turn on (I) the heating switch (#19). Allow the water to heat for 15 minutes.



4. Turn off (O) the heating switch (#19) and allow the liquid mixture to cool down for 20 minutes.



5. Drain the liquid from the drain outlet (#21), then flush with water two or three times by following the rinsing instructions above. Only disassemble parts mentioned to avoid damaging the machine.



# Troubleshooting

## Troubleshooting

If you are having trouble with your water cooler please see the following solutions. You can also view our trouble shooting videos at the website below. Please feel free to contact us with any questions.



1-800-256-0695



[support@avalonh2o.com](mailto:support@avalonh2o.com)



[www.avalonh2o.com](http://www.avalonh2o.com)

## Troubleshooting

### Indicator lights are flashing and unit is beeping

If indicator lights #2, #3, #4 are flashing and the unit is making a slow beeping sound, it is alerting you that there may be a leak in the unit. Please refer to page 25.

### Water leaking from unit

- Check to make sure that pipes are contact properly
- Inspect the adapter to ensure the proper connection
- Water pipe may need to be replace

### Water not dispensing at a hot or cold temperature

This could be caused by an over consumption of water in a short period of time causing the tanks to empty. Please allow 5 to 10 minutes for the water cooler tanks to refill. Allow the proper time for the water to heat and cool.

This could be caused by an interruption in the power supply. Please ensure that the power cord is connected to an outlet. Please make sure that the heating (#19) and cooling (#18) switches are in the on (I) position.

Safety



## Safety

To reduce risk of injury and property damage, user must read this entire guide before assembling, installing and operating the dispenser.

Failure to execute the instructions in this manual can cause personal injury or property damage.

This product dispenses water at very high temperatures. Failure to use this properly can cause personal injury.

When operating this dispenser, always exercise basic safety precautions, including the following:

- Prior to use, this dispenser must be properly assembled and installed in accordance with this manual.
- This dispenser is intended for water dispensing only. Do NOT use other liquids. Do NOT use for other purposes. Never use any other liquid in the dispenser other than known microbiologically safe tap water.
- For indoor use only. Keep water dispenser in a dry place away from direct sunlight. Do NOT use outdoors.
- Install and use only on a hard, flat and level surface.
- Do NOT place dispenser in an enclosed space or cabinet.
- Do NOT operate the dispenser in the presence of explosive fumes.
- Position back of dispenser no closer than 20 cm from wall and permit free airflow between wall and dispenser. There must be at least 20 cm clearance on the sides of the dispenser to permit airflow.
- Use only properly grounded outlets.
- Do not use an extension cord with your water dispenser.
- Always grasp plug and pull straight out from outlet. Never unplug by pulling on power cord.
- To protect against electric shock, do NOT immerse cord, plug or any other part of the dispenser in water or other liquid.

## Safety

- Ensure dispenser is unplugged prior to cleaning.
- Never allow children to dispense hot water without proper and direct supervision. Unplug unit to prevent unsupervised use by children.
- Service should be performed only by a certified technician.
- Warning: Do not damage the refrigerant circuit.
- This appliance can be used by children aged from 8 years and above if they have been given supervision or instruction concerning use of the appliance in a safe way and if they understand the hazards involved. Cleaning and user maintenance shall not be made by children unless they are older than 8 and supervised. Keep the appliance and its cord out of reach of children less than 8 years.
- Appliances can be used by persons with reduced physical, sensory or mental capabilities or lack of experience and knowledge if they have been given supervision or instruction concerning use of the appliance in a safe way and understand the hazards involved. Children shall not play with the appliance.
- This appliance is intended to be used in a household and similar applications such as: kitchen area in shops, offices and other working environments, bed and breakfast type environments, catering and similar non-retail applications.
- Do not store explosive substances such as aerosol cans with flammable propellant in this appliance.
- If the supply cord is damaged, it must be replaced by a special cord assembly available from the manufacturer or its service agent.
- Never turn the machine upside down or lean it more than 45°.
- Thermostat has been adjusted. There is no need to adjust it by yourself. When the matching is below the freezing point and blocked by ice, the cooling switch should be turned off for 4 hours before turning it on again to continue its operation.
- This machine should not be plugged back in until 3 minutes after it has been unplugged.

# Warranty

# Warranty

Models included are:

A1TLWATERCOOLER, A2TLWATERCOOLER, A3BLOZONETRCLR, A3F, A3F-SC, A4BLWTRCLR, A4F, A1BOTTLELESS, A5BOTTLELESS, A5BLK, A6BLWTRCLRWH, A6BLWTRCLRBLK, A7BOTTLELESS, A7BOTTLELESSBLK, A8CTBOTTLELESSWHT, A8CTBOTTLELESSBLK, A9CTELECTRICSS, A9ELECTRICBLK, A9ELECTRICWHT, A10-TL, A11-CTTL, A12-CTPOU, A13, A14, A15, A1CTWTRCLRBLK, A1CTWTRCLRWH, A3BLK, A4F, A5BLK, A6SC-WHT, A6SC-BLK, A10BLK, A11BLK, A12BLK, A13BLK, A14BLK, A13CT, A13-S, B8WHT, B8BLK, A9

Products listed above are covered by the terms of this Limited Warranty. For purposes of this Limited Warranty, the term "product" means any water cooler bottled or bottleless manufactured for Avalon. Avalon warrants that it will, at Avalon's option, replace or repair the Purchaser's Avalon product sold in the U.S. or Canada by an authorized retailer if that product is defective due to faulty workmanship or materials, subject to the limitations described in this Limited Warranty. Avalon undertakes no responsibility for the quality of the goods except as otherwise provided in this warranty. There are no warranties that extend beyond the description on the face hereof. This Limited Warranty is valid only in connection with the original purchase of new products from authorized retailers and extends from the original purchase date of the original product purchased. This warranty extends only to the original purchaser of the product and lasts for one (1) year from the date of the original purchase or until the original purchaser of the product sells or transfers the product, whichever first occurs. An "original purchaser," for the purposes of this Limited Warranty, is an individual or entity who purchases the product directly from Avalon or an authorized retailer of Avalon with the intent to use the product for personal consumer use and commercial or industrial use and not with the intent to resell the product. An "authorized retailer," for purposes of this Limited Warranty, is an individual or entity authorized by Avalon to sell the product directly to original purchasers. An individual or entity that purchases the product from whatever source with the intent to resell the product is an unauthorized reseller ("unauthorized reseller"). For the purpose of this Limited Warranty a "Third Party" would be considered any plumber, maintenance company, or individual hired by the Purchaser.

This Limited Warranty does not apply to used, refurbished, renewed, floor model or "demo" products, or to products sold by unauthorized resellers, including without limitation, unauthorized resellers on third party websites, including, without limitation, Craigslist, eBay, Amazon, etc. Unauthorized resellers are not "original purchasers" for the purpose of this Limited Warranty. If the purchaser is not the original purchaser of this product, the purchaser takes the product "AS IS," "with all faults" and without warranty. Avalon reserves the right to require a valid serial number located on your product to submit a valid claim under this Limited Warranty. Products where the serial number has been removed or evidence showing the removal or attempted removal of the serial number label will not be eligible to make a claim under this Limited Warranty. IF THE PURCHASE OF THIS PRODUCT WAS NOT DIRECTLY FROM AVALON, PROOF OF PURCHASE WILL BE REQUIRED TO DEMONSTRATE THAT PURCHASER IS THE ORIGINAL PURCHASER AND THE PRODUCT WAS PURCHASED FROM AN AUTHORIZED RETAILER, AND ELIGIBLE TO MAKE A VALID CLAIM UNDER THIS LIMITED WARRANTY.

Your purchase date is established from the date of your sales receipt. Avalon may require the purchaser to provide proof of the quality and condition of the water cooler if the purchaser makes a claim under this Limited Warranty. Avalon reserves the right to invalidate this Limited Warranty if the water cooler is determined, in Avalon's reasonable discretion, to be inadequate or if the water cooler is found to be in an unsanitary condition. This warranty does not apply if the product was damaged or failed because of accident, improper handling or operation, relocation, abuse, misuse, unauthorized repairs made or attempted, or improper installation or maintenance. Under this Limited Warranty, products are required to be plugged directly into a grounded wall outlet. Plugging a product into an extension cord or surge protector will be considered misuse and will void this Limited Warranty. If damage to the product has occurred during shipping, the damage must be reported to Avalon within the first 30 days from the original purchase date to be eligible to make a claim under the Limited Warranty. Shipping damage reported to Avalon outside of the first 30 days from the original purchase date will not be eligible for a valid claim under this Limited Warranty. This warranty does not cover shipping costs for the return of products to Avalon for repair or replacement.

To submit a valid claim under this Limited Warranty, troubleshooting the product with an Avalon Customer Success Expert is required. If troubleshooting the product is refused by the Purchaser, Avalon reserves the right to deny the Limited Warranty Claim. In the event a part is necessary to correct the problem with a Product, Avalon will provide the part at no cost to the original purchaser under this Limited Warranty. Replacing parts or attempting to correct an issue with the Product is required prior to submitting a claim for a replacement product under this Limited Warranty. Instructions for troubleshooting a Product or replacing a part will be provided by Avalon. Troubleshooting, repairs, part replacement, installation, and proper maintenance are the responsibility of the Purchaser. Instructions for proper installation and maintenance will be provided in the user manual.

Installation, maintenance, or repairs of the Product is the responsibility of the Purchaser. The Purchaser reserves the right to use a Third Party for installation, maintenance, and repair at their own risk. Avalon is not responsible for any additional cost incurred for installation, maintenance, or repair of the Product including but not limited to additional material needed for installation or the cost of a Third Party. Damage or failure of the Product due to improper installation, maintenance, or repair caused by a Third Party or the Purchaser is not the responsibility of Avalon and will not be covered under this Limited Warranty. Instructions for proper installation and maintenance will be provided in the user manual.

ANY AND ALL WARRANTIES, EXPRESSED OR IMPLIED (INCLUDING, WITHOUT LIMITATION, ANY IMPLIED WARRANTY OF MERCHANTABILITY), LAST ONE YEAR FROM THE DATE OF ORIGINAL PURCHASE OR UNTIL THE ORIGINAL PURCHASER OF THE PRODUCT SELLS OR TRANSFERS THE PRODUCT, WHICHEVER FIRST OCCURS. IN NO EVENT SHALL AVALON'S LIABILITY UNDER ANY EXPRESS OR IMPLIED WARRANTY INCLUDE (I) INCIDENTAL OR CONSEQUENTIAL DAMAGES FROM ANY CAUSE WHATSOEVER, INCLUDING BUT NOT LIMITED TO ELECTRICAL OR WATER DAMAGE, OR (II) REPLACEMENT OR REPAIR OF ANY HOUSE FUSES, CIRCUIT BREAKERS OR RECEPTACLES. NOTWITHSTANDING ANYTHING TO THE CONTRARY, IN NO EVENT SHALL AVALON'S LIABILITY UNDER ANY EXPRESS OR IMPLIED WARRANTY EXCEED THE PURCHASE PRICE OF THE PRODUCT AND ANY SUCH LIABILITY SHALL TERMINATE UPON THE EXPIRATION OF THE WARRANTY PERIOD.

Except as otherwise provided, Avalon will not charge Original Purchaser to repair or replace the purchaser's Product if it is deemed defective during the length of this Limited Warranty, but any transportation costs associated with repairs or replacements are Purchaser's responsibility. No new warranty is provided with a replacement product. The warranty for the replacement product runs from the date of the original purchase of the original product. In the event that repair is necessary, such repair will be at no charge to the Purchaser except for transportation costs associated with such repair or replacement of a product in compliance with the terms of this Limited Warranty.

In the event, a warranty claim is filed and a warranty replacement is deemed necessary, the purchaser will be required to surrender the original product to Avalon at the time of replacement.

Some states and provinces do not allow limitations on how long an implied warranty lasts or the exclusion or limitation of incidental or consequential damages, so these exclusions or limitations may not apply to you. This warranty gives you specific legal rights. You may also have other rights which vary from state to state and province to province.





Unos pocos y sencillos pasos  
para garantizar un agua  
perfecta, en cualquier momento.







# Estamos Aquí para Ayudarais

---



¡También estamos disponibles para video chat en vivo!

## Llámanos:

1.800.256.0695

## Envíanos un Correo Electrónico:

support@avalonh2o.com

sales@avalonh2o.com

## Chat en Vivo:

Lunes-Jueves: 9:00-17:30

Viernes: 9:00-16:30

## Conectemos

---

Siga nuestras cuentas de redes sociales y manténgase actualizado sobre las últimas noticias de Avalon.



@avalon\_h2o



Avalon Water Coolers



Avalonh2o

[www.avalonh2o.com](http://www.avalonh2o.com)

# Manual de Uso y Mantenimiento

MODELOS: A5BOTTLELESS • A5BLK

## Registro:

Por favor, visite el siguiente enlace para poder registrar su nuevo dispensador de agua muy fría durante los primeros 30 días desde su fecha de compra. Registrarlo durante los primeros 30 días activará su garantía de un año.

[www.avalonh2o.com/register-my-avalon-cooler](http://www.avalonh2o.com/register-my-avalon-cooler)

Por favor, guarde su número de modelo, número de pedido y fecha de la compra para una futura asistencia. Puede contactarnos en el teléfono 1-800-256-0695.

Número de modelo \_\_\_\_\_

Número de pedido \_\_\_\_\_

Fecha de la compra \_\_\_\_\_



Tested and Certified by NSF International against NSF/ANSI Standard 42 & 53 in model A5FILTER for the reduction of lead, chlorine, cyst.

REPLACEMENT ELEMENT



This A5FILTER is Tested and Certified by NSF International against NSF/ANSI Standard 42 for materials and structural integrity requirements.

COMPONENT

# Contenido

## Sobre su dispensador

Conozca su producto Avalon	1-2
Nombres de los componentes	3-4
Luces indicadoras	5
Especificaciones técnicas	6
Introducción a la función de filtro	7

## Empezando

Desempaquetando	9
Instalación (debajo del fregadero)	10-11
Instalación (suministro de agua del refrigerador)	12
Enjuagando los filtros	13-14
Terminando la instalación del dispensador de agua muy fría	15-16
Activando el calentamiento y la refrigeración	17
Instalar y quitar la bandeja anti-goteo	18

## Guía de uso y de mantenimiento

Dispensando Agua	20
Cambiando la botella	21-23
Detección de fugas	24

## Limpieza

Función de Autolimpieza	26
Enjuagar, limpiar y drenar	27-29
Limpieza	30-31

## Solución de problemas

33-34

## Seguridad

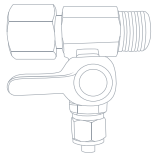
36-37

## Garantía

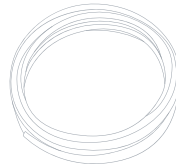
39

## Conozca Su Producto Avalon

Dentro de la caja encontrará:



Adaptador metálico con  
válvula  
(3/8" compresión)



Tubo de polietileno  
(20' longitud, 1/4" diámetro)



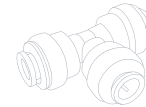
Adaptador de  
enjuague de filtro



Filtro de carbón en  
bloque



Filtro de sedimentos



Adaptador de 3  
vías de plástico  
(1/4")

## Conozca su producto Avalon



### Diseño atractivo

Diseño en acero inoxidable con tres chorros de agua



### Temperaturas a medida

Muy caliente, agua fría, o agua súper fría



### Doble etapa de filtración

Dobla la filtración para una doble tranquilidad



### No te preocupes en limpiar

Auto-lavado función ultravioleta para una purificación del agua de larga duración



### Construida con luz nocturna

Hace que ir a por agua por la noche sea fácil



### Filtros con certificación NSF

Respetamos estrictos criterios para una protección de la salud pública



### Protección UL

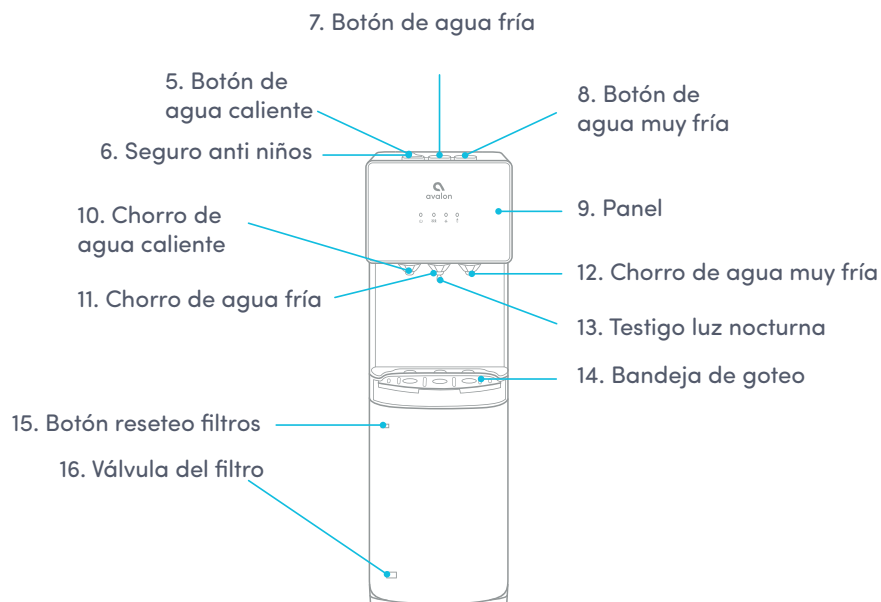
Diseñamos & construimos pensando en tu seguridad



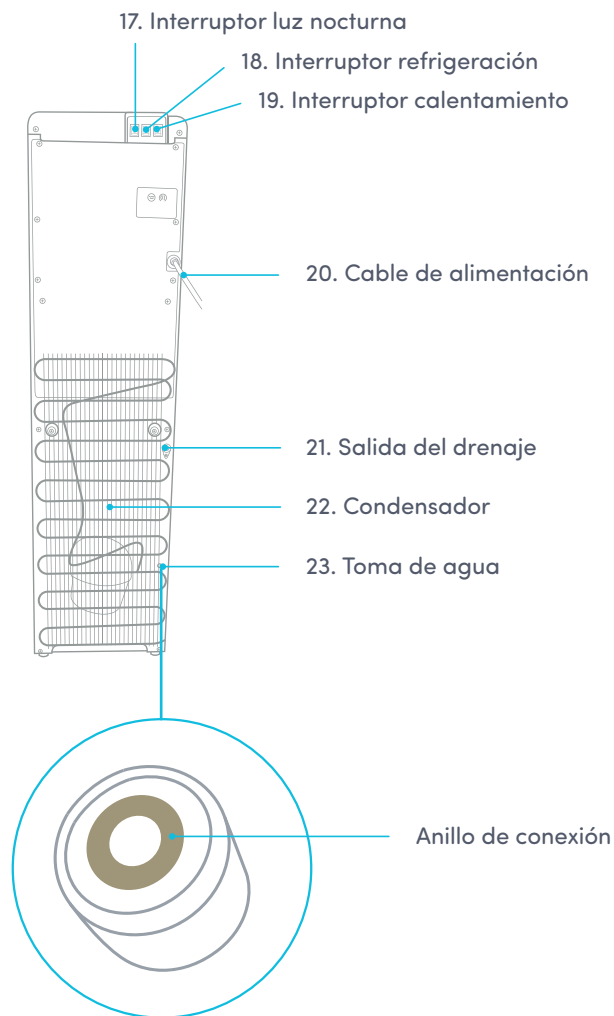
### Seguridad infantil

Garantiza un chorro seguro de agua caliente para toda la familia

# Nombres de los componentes



# Nombres de los componentes



## Indicadores Luminosos

### Indicador Luminoso Encendido/Auto-Lavado



Cuando la unidad se coloca en modo de autolimpieza, esta luz indicadora parpadeará hasta que se complete el ciclo. Esto también le permitirá saber que el UV está funcionando.

### Indicador Luminoso Calentamiento



Esta luz indica que el agua está calentándose. La luz seguirá encendida mientras que el agua esté calentándose y se apagará cuando se alcance la temperatura correcta de 185°F (85°C). Cuando el agua se dispensa, el depósito de agua caliente se volverá a rellenar y el agua volverá a calentarse. Durante el tiempo que tarde el agua en volver a calentarse de nuevo, esta luz permanecerá encendida.

### Indicador Luminoso de Refrigeración



Esta luz indica que el agua está enfriándose. La luz seguirá encendida mientras que el agua esté enfriándose y se apagará cuando se alcance la temperatura correcta de 47°F (8.3°C). Cuando el agua se dispensa, el depósito de agua muy fría se volverá a rellenar y el agua volverá a enfriarse. Durante el tiempo que tarde el agua en enfriarse de nuevo, esta luz permanecerá encendida.

### Indicador Luminoso del Filtro



Esta luz roja se encenderá cuando el filtro necesite ser cambiado. La luz empezará a parpadear en rojo como señal de que el filtro debe ser cambiado próximamente. Cuando la vida útil del filtro esté agotada, el testigo luminoso permanecerá encendido y la unidad emitirá un pitido para alertarle de que debe ser cambiado inmediatamente.



## Especificaciones técnicas

Modelo	A5BOTTLELESS • A5BLK
Caliente/muy fría/fría salida	1.8L/min / 2.2L/min / 2.0L/min
Capacidad agua caliente	4 L/H (≥ 185°F)
Volumen depósito agua caliente	1.16 Litros
Capacidad agua muy fría	2.5 L/H (≤ 50°F)
Volumen depósito agua muy fría	3.6 Litros
Presión del agua	0.1-0.4 MPa
Agua usada	Agua del grifo
Filtrado etapa 1	Sedimentos
Filtrado etapa 2	Bloque de Carbón
Tamaño producto	13"(L)x12"(W)x41"(H)
Tamaño paquete	16"(L)x15"(W)x45"(H)
Peso neto/Peso bruto	36.15 lb/46.5 lb
Voltaje/Frecuencia	115V 60Hz
Método de refrigeración	Compresor
Método del calentador	Elemento interno
Vatios del calentador/ Vatios de refrigeración	420W/100W
Consumo eléctrico	520W

## Introducción al funcionamiento de los filtros

Etapa	Filtro	Función
Etapa 1	Filtro de sedimentos	Proceso de filtración del agua no depurada para remover óxidos, suciedad y sedimentos
Etapa 2	Filtro bloques de carbón	Elimina el olor, el cloro residual, materias orgánicas y mejora el sabor

Empezando

# Desempaquetando su dispensador de agua muy fría Avalon

## Situar el Dispensador

- Todavía NO conecte el cable de alimentación.
- Sitúe el dispensador recto sobre una superficie dura y nivelada en un lugar fresco y a la sombra, cerca de un enchufe de pared. Posicione el dispensador de tal forma que tenga una distancia de 4 pulgadas con respecto al muro por detrás y por los lados.

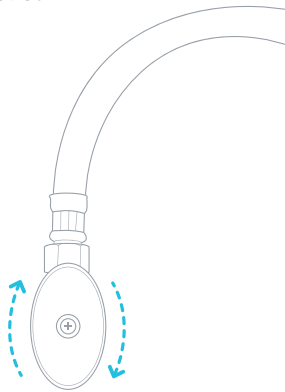
## Colocar los Accesorios

- Desempaquete el producto e instale la bandeja de goteo en su sitio, vea la página 19.
- Saque las piezas de instalación del interior del gabinete de la unidad y siga las instrucciones de instalación a continuación.

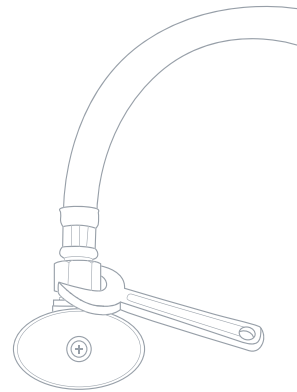
## Instalación (debajo del fregadero)

Instalar el adaptador metálico con válvula

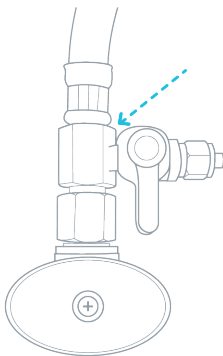
1. Corte el suministro de agua muy fría que es la fuente de agua de su fregadero.



2. Desconecte el suministro de agua debajo de su fregadero.



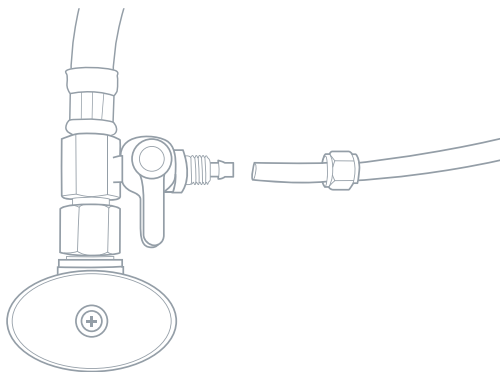
3. Conecte el Adaptador metálico con Válvula entre el suministro de agua muy fría y la válvula de agua muy fría.



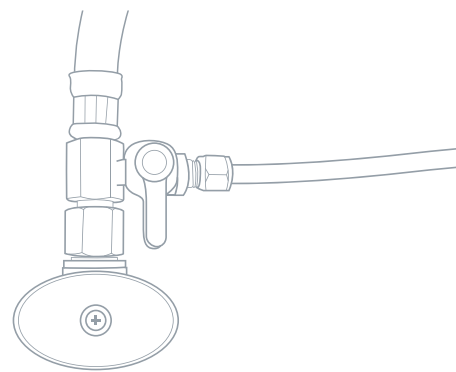
## Instalación (debajo del fregadero)

Instalar el Adaptador metálico con válvula

4. Quite la tuerca del Adaptador metálico con Válvula e inserte el Tubo de Polietileno a través de la tuerca. Deslice el tubo de polietileno hasta la parte saliente del Adaptador dónde la tuerca estaba situada hasta que alcance el roscado.



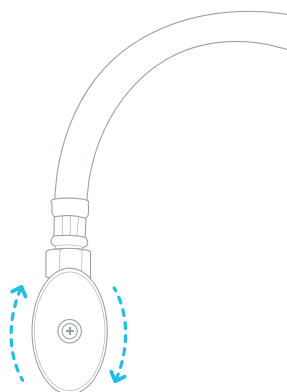
5. Atornille la tuerca con fuerza en su sitio para garantizar que el Tubo de polietileno esté firmemente conectado con el Adaptador metálico con Válvula. Asegúrese que la Válvula esté en su posición cerrada (perpendicular al Tubo de polietileno).



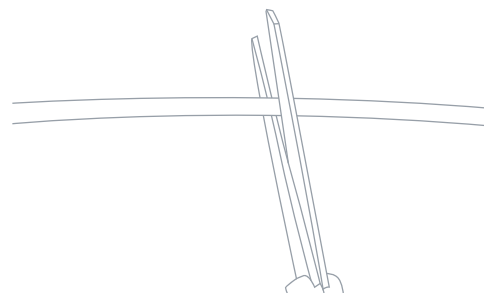
# Instalación (Suministro de agua del refrigerador)

Instalar el Adaptador de Plástico de Tres Vías

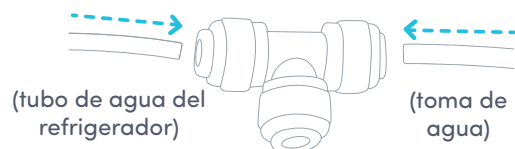
1. Cierre el suministro de agua que es la fuente de agua de su refrigerador.



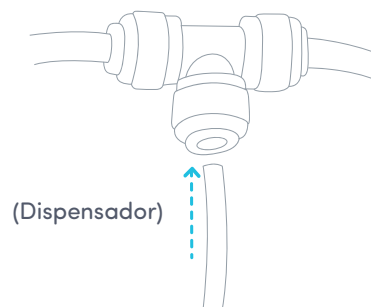
2. Corte el tubo de 1/4" que está conectado a la parte de atrás de su refrigerador o de su máquina de hielo cerca del final que está insertado en el refrigerador.



3. Inserte cada extremo del tubo de 1/4" en cada uno de los agujeros del Adaptador de Plástico de Tres vías.



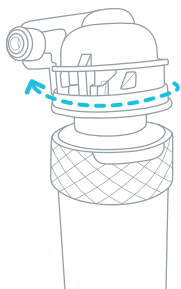
4. Inserte uno de los extremos del Tubo de Polietileno que viene con el dispensador de agua en el tercer agujero del Adaptador de plástico de Tres Vías.



## Enjuagar los filtros antes de su uso

Antes de proseguir con la instalación, es recomendable que enjuague los dos filtros durante aproximadamente 2 minutos.

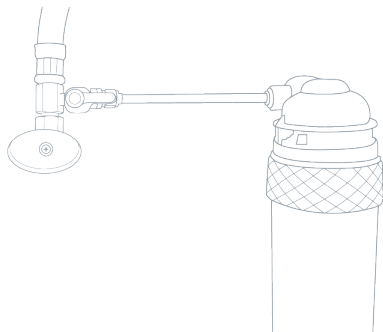
1. Enrosque el filtro en el Adaptador de enjuague de filtro incluido rotándolo en el sentido de las agujas del reloj



2. Tome el extremo libre del Tubo de Polietileno que está ahora conectado a su toma de agua e insértelo en el agujero izquierdo de entrada del Adaptador de Enjuague de Filtro en el sentido de la flecha.



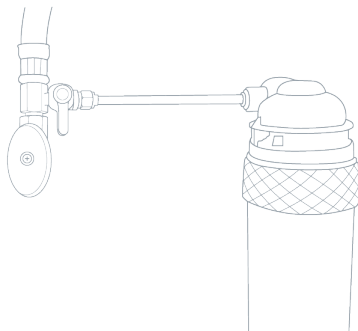
3. Sujete el filtro con el Adaptador de Enjuague de Filtro sobre el fregadero. Gire la válvula del Adaptador metálico en la toma de agua (la posición abierta es paralela al tubo de polietileno) y deje que el agua fluya durante unos 2 minutos para enjuagar el nuevo filtro.



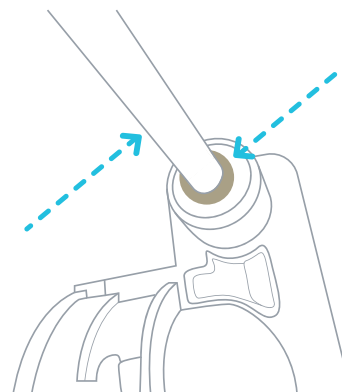


## Enjuagar los Filtros antes de su uso

4. Gire la Válvula del Adaptador metálico en la toma de agua para cerrarla. Quite el filtro del Adaptador de Enjuague de Filtros.



5. Quite el extremo del Tubo de polietileno del Adaptador de Enjuague de Filtros presionando sobre el anillo de conexión y tirando del Tubo de polietileno.

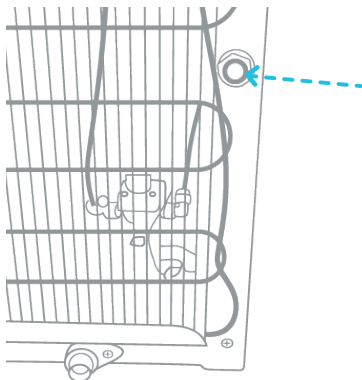


Repita los pasos 1-5 para enjuagar el Filtro de Carbón.

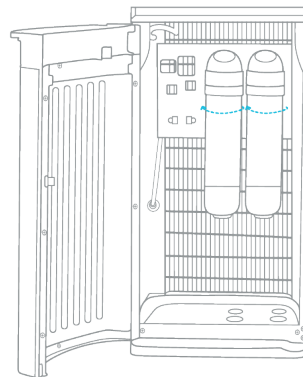
## Terminando la instalación del dispensador de agua muy fría

Una vez que ha enjuagado los filtros, sacado los Filtros y el Tubo de polietileno del Adaptador de Enjuague de Filtros, ya está todo listo para terminar con el proceso de instalación.

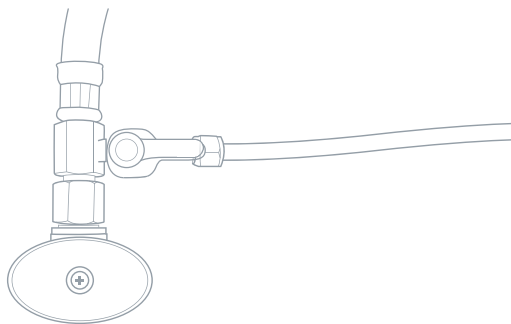
1. Quite el tapón de la entrada de agua (#23) situado detrás de su unidad. Para ello, presione sobre el anillo de conexión que está detrás del tapón. Encaje el extremo del tubo de polietileno sobre la entrada de agua (#23). Asegúrese que el Tubo de polietileno esté bien fijado.



2. Abra la puerta del compartimento de la unidad. Enrosque los filtros en los cabezales de filtro siguiendo las agujas del reloj. El Filtro de Sedimentos debe estar en la izquierda y el filtro de Carbón debe estar en la derecha.

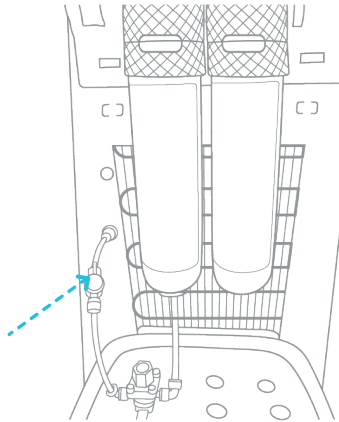


3. Gire la Válvula de la toma de agua para volver a abrirla (la posición abierta es paralela al Tubo de Polietileno).

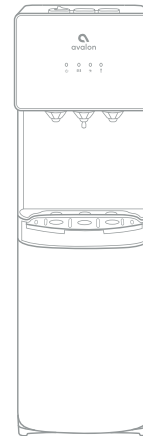


## Terminando la instalación del dispensador de agua muy fría

4. Gire la Válvula que está situada a la izquierda de los filtros dentro del compartimento (la posición abierta es paralela al Tubo de polietileno).



5. Después de que la instalación de la toma de agua y de los filtros haya sido completada, conecte el cable de alimentación a un enchufe de pared y empiece a usar la máquina. Por favor, deje que la máquina rellene de 10 a 15 minutos los depósitos antes de usarla. Siga con las instrucciones de uso.



10-15  
min

## Activando el Calentamiento y la Refrigeración

Antes de encender los interruptores de calentamiento (#19) o de refrigeración (#18) asegúrese que el agua esté ya relleno los depósitos internos vertiendo una gota de agua de los chorros calientes (#10) y fríos (#12).

Para activar el agua muy fría, pulse el interruptor de refrigeración (#18) en su posición encendida (I) pulsando la parte de arriba del interruptor. Si no desea tener agua muy fría puede dejar el botón en su posición apagada (O).

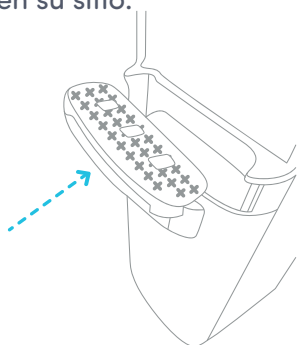
Para activar el agua caliente, pulse el interruptor de calentamiento (#19) en su posición encendida (I) pulsando la parte de arriba del interruptor. Si no desea tener agua caliente puede dejar el botón en su posición apagada (O).

Por favor, espere 15 minutos para que el agua caliente esté caliente. Durante ese tiempo, el indicador luminoso de calentamiento (#2) estará permanentemente encendido. La luz se apagará cuando el proceso de calentado haya terminado. Por favor, espere 1 hora para que el agua muy fría se enfríe. Durante ese tiempo, el indicador luminoso de refrigeración (#3) estará permanentemente encendido. La luz se apagará cuando el proceso de refrigeración haya terminado. Si cualquier error ocurriese durante los procesos de calentamiento y de refrigeración, el indicador luminoso parpadearía.

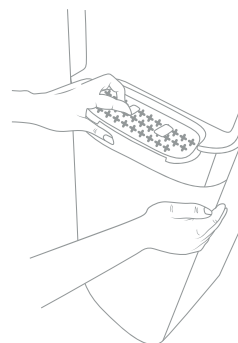
## Instalando y quitado la Bandeja anti-goteo

No es necesario ningún drenaje externo, el agua sobrante se recolecta ahí. El flotador rojo emergerá cuando la bandeja de goteo necesite ser vaciada.

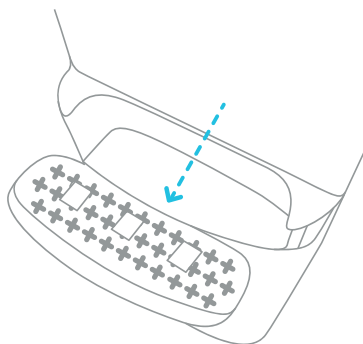
1. Para instalar la bandeja de goteo, simplemente deslícela en la zona de la parte superior de la puerta hasta que encaje en su sitio.



2. Para quitar la bandeja de goteo, coloque sus dedos en la reja de la bandeja de goteo con una mano y sujete la puerta del dispensador con la otra.



3. Tire suavemente de la bandeja de goteo para liberarla. Una vez que haya sido retirada, puede sacar la bandeja de goteo de la puerta del dispensador para poder vaciarla.



# Guía de Uso y Mantenimiento

## Dispensando Agua

### Agua muy fría

Una vez que haya pulsado el interruptor de refrigeración (#18) en su posición encendida (I), tardará inicialmente 1 hora para enfriar el agua. Durante este tiempo, el indicador de refrigeración (#3) sobre el icono de agua muy fría estará permanentemente encendido. Durante este tiempo, el compresor podrá funcionar de manera continua. Esto es normal. La luz se apagará cuando el proceso de refrigeración haya sido completado.

1. Sitúe una botella, vaso, jarra o cazo debajo del chorro de agua muy fría (#12).
2. Apriete el botón de agua muy fría (#8) hacia abajo para iniciar el chorro de agua.
3. Una vez alcanzado el nivel de agua deseado, deje de apretar el botón de agua muy fría (#8).

### Agua fría

1. Sitúe una botella, vaso, jarra o caso debajo del chorro de agua fría (#11).
2. Apriete el botón de agua a agua fría (#7) hacia abajo para iniciar el chorro de agua.
3. Una vez alcanzado el nivel de agua deseado, deje de apretar el botón de agua fría (#7).

### Agua Caliente

Una vez que haya pulsado el interruptor de calentamiento (#19) en su posición encendida (I), tardará inicialmente 15-20 minutos para calentar el agua. Durante este tiempo, el indicador de calentamiento (#2) sobre el icono de agua caliente estará permanentemente encendido. La luz se apagará cuando el proceso de calentamiento haya sido completado.

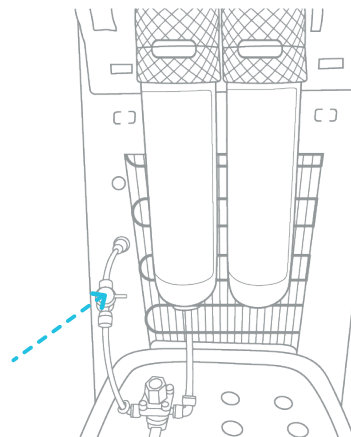
1. Sitúe una botella, vaso, jarra o cazo debajo del chorro de agua caliente (#10).
2. Deslice el cierre rojo de seguridad para niños (#6) a la izquierda y apriete el botón de agua caliente (#5) hacia abajo para iniciar el chorro de agua. Debe sujetar el cierre de seguridad para niños (#6) y apretar el botón al mismo tiempo.
3. Una vez alcanzado el nivel de agua deseado, deje de apretar el botón de agua caliente (#5).

## Cambiar los filtros

1. Cuando la vida útil del filtro está a punto de acabarse, ya sea debido a los flujos de agua o tras 6 meses, el indicador de filtro (#4) a la derecha del panel frontal empezará a parpadear en rojo a modo de advertencia. Cuando la vida útil del filtro esté acabada, el indicador rojo estará permanentemente encendido y la máquina pitará para hacerle saber que el filtro necesita ser cambiado.



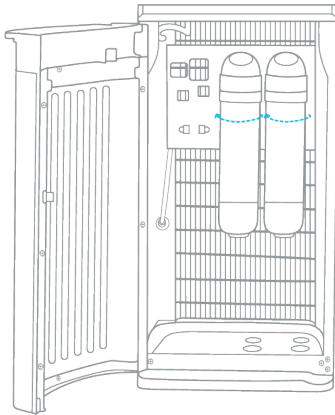
2. Cierre la Válvula situada en la conexión con la toma de agua o la Válvula situada a la izquierda de los filtros dentro del compartimento.



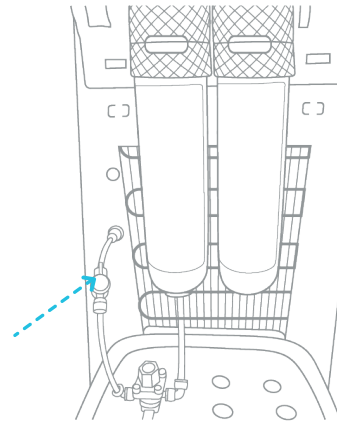


## Cambiar los filtros

3. Desenrosque los filtros caducados para sacarlos. Inserte los nuevos filtros en los cabezales de filtros girándolos en el sentido de las agujas del reloj.

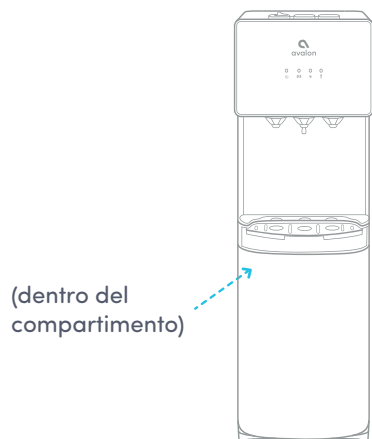


4. Gire la Válvula, que estaba previamente cerrada, para abrirla. Esta Válvula estará situada o bien en la conexión de la toma de agua o a la izquierda del Filtro de Sedimentos.

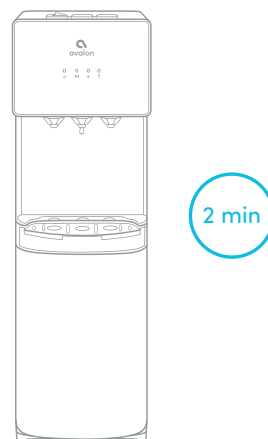


## Cambiar los Filtros

5. Tras haber cambiado los filtros, presione y mantenga pulsado el Botón de Reseteo de filtros (#15) situado en la parte superior izquierda del compartimento. Presione y mantenga apretado este botón hasta que la luz del indicador de filtro (#4) se apague.



6. Para que se enjuaguen los nuevos filtros, permita que el agua fluya del chorro de agua muy fría (#12) durante aproximadamente 2 minutos.



## Detección de fugas



Nuestras máquinas están equipadas con un detector de fugas high-tech que le avisará de cualquier fuga potencial. Al mismo tiempo, la máquina apagará automáticamente cualquier entrada de agua para prevenir cualquier potencial inundación. En el supuesto de una posible fuga, los indicadores luminosos de calentamiento (#2), refrigeración (#3) y de filtro (#4) empezarán a parpadear y sonará un pitido. Por favor, revise alrededor de la máquina cualquier posible fuga de agua y determine su origen. Si encuentra el origen de la fuga, puede llamar a nuestra línea de asistencia para resolverlo. Si no logra encontrar el origen de la fuga, dicha fuga podría haber sido provocada por un derramamiento accidental de agua o por el cambio de filtro. El detector de fugas está situado en la parte inferior trasera a la izquierda del compartimento. Desenchufe su dispensador de agua muy fría y asegúrese que el área y el sensor están secos. Vuelva a enchufar la máquina, los indicadores luminosos dejarán de parpadear y el pitido parará. La máquina estará de nuevo operativa como siempre.

# Limpieza

## Función de Autolimpieza

El enfriador de agua tiene un sistema de limpieza UV automático incorporado que mata las bacterias dentro de la máquina. La limpieza UV se ejecutará en intervalos automáticos a medida que se utiliza la máquina.

Este es un método inofensivo y efectivo para garantizar que el agua dentro de la máquina permanezca libre de bacterias.

## Enjuagar, Limpiar y Drenaje

Para prolongar la vida útil de la máquina, se recomienda que la unidad sea limpiada y desinfectada manualmente cada seis meses.

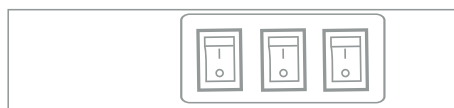
### Para limpiar el exterior de la unidad

Use un desinfectante de su elección para limpiar el exterior de la máquina. El desinfectante no viene incluido con esta unidad. Puede comprarse en cualquier tienda local.

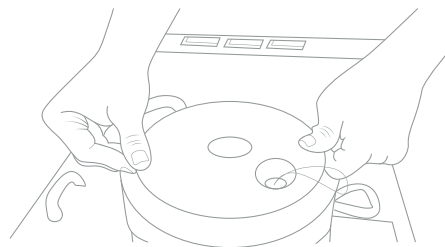
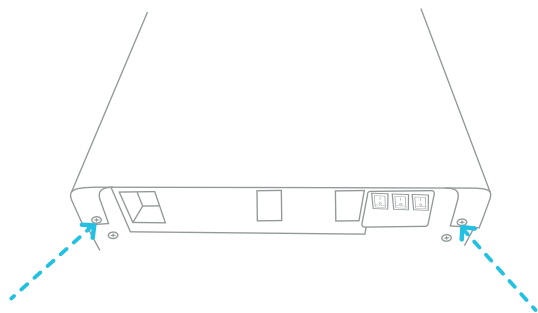
### Para enjuagar el interior de la unidad

La máquina ha sido desinfectada antes de salir de la fábrica. Sin embargo, se recomienda enjuagar y drenar la unidad antes de su instalación.

1. Antes del lavado, asegúrese que los interruptores de refrigeración (#18) y de calentamiento (#19) estén en posición apagada (O) y desconecte la máquina.

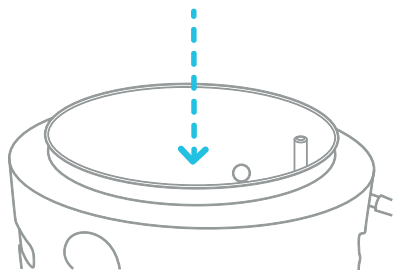


2. Quite los dos tornillos situados detrás (arriba, alineados con los interruptores) del dispensador. Quite la tapa levantándola desde una esquina y tire. Quite la tapa blanca del depósito de agua muy fría y el separador

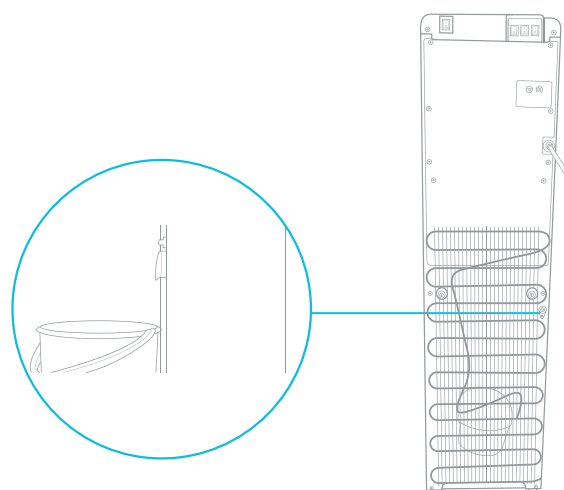


## Enjuagar, Limpiar y Drenaje

3. Llene 0.6 galones (2.27 litros) de agua limpia en el depósito de agua muy fría. (El depósito de agua muy fría es el cilindro abierto tras haberle quitado la tapa blanca).



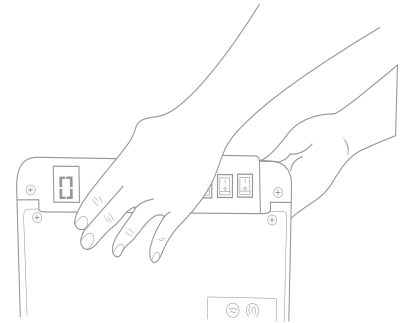
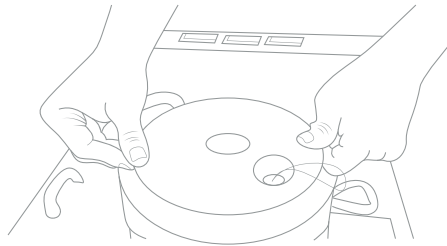
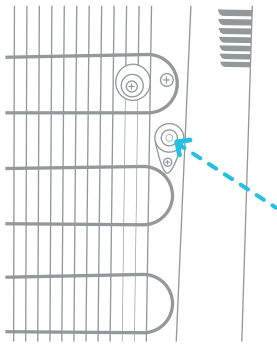
4. Coloque un gran cubo debajo de la salida de drenaje (#21) situada por detrás de la unidad. Quite el tapón de drenaje y deje que el agua se drene de la unidad. El agua empezará a fluir en cuanto se quite el tapón de drenaje.



**Cuidado:** El dispensador calentará el agua a una temperatura de aproximadamente 185°F (85°C). Puede causar quemaduras severas si no se maneja con cuidado. Por favor, tenga cuidado cuando lo utilice y lo limpie. Por favor, deje un margen amplio de tiempo para que cualquier agua caliente dentro de la máquina se enfríe antes de drenarla.

## Enjuagar, Limpiar y Drenar

5. Cuando el agua haya sido completamente drenada, vuelva a colocar el tapón de drenaje, la tapa del depósito de agua muy fría y la tapa de la unidad. Asegúrese que los tubos y cables estén de nuevo conectados correctamente y ya puede volver a usar el dispensador de nuevo.

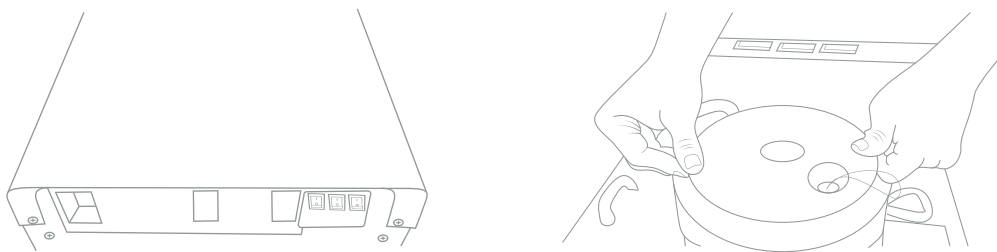




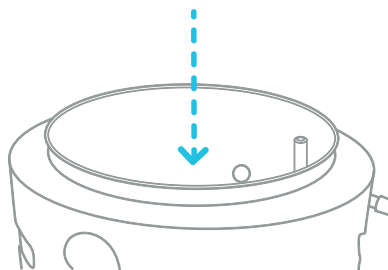
## Limpieza

Para quitar todos los depósitos de minerales que hayan podido surgir en el interior del depósito de agua muy fría, mezcle 4 L de agua con 200 gr de cristales de ácido cítrico (no incluidos) o cualquier otra mezcla de limpieza de su elección.

1. Desatornille la tapa y levante la tapa del depósito de agua muy fría.

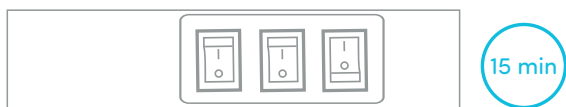


2. Ponga la mezcla en el depósito de agua muy fría de la máquina y asegúrese que el agua pueda fluir a través del chorro de agua caliente (#10).



# Limpieza

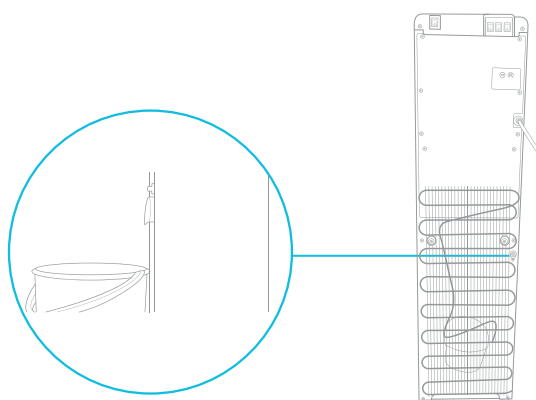
3. Conecte el cable de alimentación y encienda (I) el interruptor de calentamiento (#19). Deje que el agua se caliente durante 15 minutos.



4. Apague (O) el interruptor de calentamiento (#19) y deje que la mezcla líquida se enfríe durante 20 minutos.



5. Drene el líquido a través de la salida de drenaje (#21) y enjuague con agua dos o tres veces siguiendo las instrucciones de enjuague. Solo desmonte las piezas mencionadas para evitar dañar la máquina.



# Solución de problemas

## Solución de problemas

Si tiene algún problema con su distribuidor de agua muy fría, por favor vea las siguientes soluciones. También puede ver nuestros videos de solución de problemas en nuestra página web.

Por favor, no dude en contactar con nosotros si tiene cualquier pregunta.



1-800-256-0695



support@avalonh2o.com



www.avalonh2o.com

## Solución de problemas

Los indicadores luminosos están parpadeando y la unidad está pitando.

Si los indicadores luminosos #2, #3 y #4 están parpadeando y la unidad emite un suave pitido, está alertándole que puede haber alguna fuga en la unidad. Por favor, consulte la página 25.

### Fuga de agua de la unidad

- Asegúrese que los conductos están conectados correctamente
- Inspeccione el adaptador para asegurarse que haya una conexión correcta
- El conducto de agua puede necesitar ser cambiado

### El agua no se dispensa a una temperatura fría o caliente

Esto puede ser debido a un consumo excesivo de agua en un corto periodo de tiempo que puede haber provocado que los depósitos estén vacíos. Por favor, deje de 5 a 10 minutos para que los depósitos del distribuidor vuelvan a llenarse. Deje también un tiempo razonable para que el agua se caliente y se enfríe.

También puede haber sido causado por una interrupción del suministro eléctrico. Por favor, asegúrese que el cable de alimentación está conectado a un enchufe. Asegúrese que los interruptores de calentamiento (#19) y de refrigeración (#18) estén en su posición encendida (I).

# Seguridad

## Seguridad

Para reducir los riesgos de lesiones y daños materiales, el usuario debe leer completamente esta guía antes de montar, instalar y utilizar este dispensador.

Un fallo a la hora de ejecutar las instrucciones de este manual puede causar daños personales o materiales.

Este producto dispensa agua a muy altas temperaturas. No usarlo correctamente puede causar daños personales.

Cuando esté usando este dispensador, siempre ejecute unas precauciones básicas de seguridad, incluidas las siguientes:

- Antes de usarse, este dispensador debe montarse correctamente y ser instalado según establezca este manual.
- Este dispensador está concebido únicamente para dispensar agua. NO lo use con otros líquidos. NO lo use para otros propósitos. Nunca use otros líquidos en el dispensador más que el agua de grifo microbiológicamente segura.
- Únicamente para un uso en interiores. Mantenga el dispensador de agua en un lugar seco y alejado de la luz directa del sol. NO lo use en exteriores.
- Instálelo y úselo únicamente en una superficie dura y plana.
- NO instale el dispensador en un espacio cerrado o armario.
- NO utilice el dispensador en presencia de vapores explosivos.
- La parte de atrás del dispensador debe estar separada del muro con al menos 20 cm y debe permitir que circule el aire entre el muro y el dispensador. Debe haber al menos 20 cm de espacio en los laterales del dispensador para permitir que circule el aire.
- Utilice únicamente tomas de corrientes con línea a tierra.
- No use un alargador de cable con su dispensador de agua
- Siempre agarre el conector y tire desde el enchufe. Nunca desconecte tirando del cable de alimentación.
- Para prevenir descargar eléctricas, NO sumerja el cable, enchufe o cualquier otra pieza del dispensador en agua u otro líquido.

## Seguridad

- Asegúrese que el dispensador esté desconectado antes de ser limpiado.
- Nunca deje que los niños sirvan agua caliente sin una correcta y directa supervisión. Desconecte la unidad para evitar cualquier uso sin supervisión por parte de niños.
- El mantenimiento debe ser únicamente realizado por un técnico cualificado.
- Cuidado: No dañe el circuito refrigerante.
- Este dispositivo puede ser utilizado por niños mayores de 8 años siempre y cuando hayan recibido una supervisión o unas instrucciones con respecto a la utilización del dispositivo de una manera segura y siempre que entiendan sus riesgos derivados. La limpieza y el mantenimiento por parte del usuario no deben ser realizados por niños salvo que sean mayores de 8 años y estén bajo supervisión. Mantenga el dispositivo y su cable fuera del alcance de niños menores de 8 años.
- El dispositivo puede ser usado por personas con capacidad física, mental o sensorial reducidas o falta de experiencia y conocimiento si han recibido una supervisión o instrucciones con respecto a un uso seguro del dispositivo y si entienden los riesgos derivados. Los niños no deben jugar con el dispositivo.
- Este dispositivo está concebido para un uso doméstico o similar como:
  - zonas de cocina en tiendas, oficinas y otros ambientes de trabajo, ambientes de hoteles y aplicaciones no comerciales.
  - No guarde sustancias explosivas como aerosoles con propulsores inflamables en este dispositivo.
  - Si el cable de alimentación estuviera dañado, debe ser reemplazado por un cable especial disponible donde el fabricante o por su intermediario.
- Nunca ponga la máquina boca abajo ni la incline a más de 45°.
- El termostato ha sido ajustado. No hay ninguna necesidad de que lo ajuste usted mismo. Cuando la máquina esté por debajo del punto de congelación y esté bloqueada por el hielo, deberá apagar el interruptor de refrigeración durante 4 horas antes de volver a encenderlo y seguir usándola.
- Esta máquina no debe volver a conectarse de nuevo hasta pasados 3 minutos desde que fue desconectada.



# Garantía

# Garantía

Los modelos incluidos son:

ATLWATERCOOLER, A2TLWATERCOOLER, A3BLOZONEWTRCLR, A3F, A3F-SC, A4BLWTRCLR, A4F, A1BOTTLELESS, A5BOTTLELESS, A5BLK, A6BLWTRCLR, A6BLWTRCLRBLK, A7BOTTLELESS, A7BOTTLELESSBLK, A8CBOTTLELESSWHT, A8CBOTTLELESSBLK, A9CELECTRICSS, A9ELECTRICBLK, A9ELECTRICWHT, A10-TL, A11-CTTL, A12-CTPOU, A13, A14, A15, A1CTWTRCLRBLK, A1CTWTRCLRWHT, A3BLK, A4F, A5BLK, A6SC-WHT, A6SC-BLK, A10BLK, A11BLK, A12BLK, A13BLK, A14BLK, A13CT, A13-S, B8WHT, B8BLK, A9

Los productos enumerados anteriormente están cubiertos por los términos de esta Garantía limitada. Para los propósitos de esta Garantía limitada, el término "producto" significa cualquier enfriador de agua embotellado o sin botella fabricado para Avalon. Avalon garantiza que, a opción de Avalon, reemplazará o reparará el producto Avalon del Comprador vendido en los EE. UU. O Canadá por un minorista autorizado si ese producto es defectuoso debido a mano de obra o materiales defectuosos, sujeto a las limitaciones descritas en esta Garantía limitada. Avalon no asume ninguna responsabilidad por la calidad de los productos, excepto que se disponga lo contrario en esta garantía. No existen garantías que se extiendan más allá de la descripción en el anverso del presente. Esta garantía limitada es válida solo en relación con la compra original de nuevos productos a minoristas autorizados y se extiende desde la fecha de compra original del producto original comprado. Esta garantía se extiende únicamente al comprador original del producto y tiene una duración de un (1) año a partir de la fecha de la compra original o hasta que el comprador original del producto venda o transfiera el producto, lo que ocurra primero. Un "comprador original", a los efectos de esta Garantía limitada, es una persona o entidad que compra el producto directamente de Avalon o un minorista autorizado de Avalon con la intención de utilizar el producto para uso personal de consumo y uso comercial o industrial y no con la intención de revender el producto. Un "minorista autorizado", a los efectos de esta Garantía limitada, es una persona o entidad autorizada por Avalon para vender el producto directamente a los compradores originales. Una persona o entidad que compra el producto de cualquier fuente con la intención de revender el producto es un revendedor no autorizado ("revendedor no autorizado"). A los efectos de esta Garantía limitada, un "Tercero" se considerará cualquier plomero, empresa de mantenimiento o individuo contratado por el Comprador.

Esta Garantía limitada no se aplica a productos usados, reacondicionados, renovados, modelo de piso o "demostración", ni a productos vendidos por revendedores no autorizados, incluidos, entre otros, revendedores no autorizados en sitios web de terceros, incluidos, entre otros, Craigslist, eBay, Amazon, etc. Los revendedores no autorizados no son "compradores originales" a los efectos de esta Garantía limitada. Si el comprador no es el comprador original de este producto, el comprador toma el producto "TAL CUAL", "con todos los defectos" y sin garantía. Avalon se reserva el derecho de solicitar un número de serie válido ubicado en su producto para enviar un reclamo válido bajo esta Garantía limitada. Los productos en los que se haya eliminado el número de serie o la evidencia que muestre la eliminación o el intento de eliminación de la etiqueta del número de serie no serán elegibles para realizar una reclamación bajo esta Garantía limitada. SI LA COMPRA DE ESTE PRODUCTO NO FUE DIRECTAMENTE A AVALON, SE REQUIERE UN COMPROBANTE DE COMPRA PARA DEMOSTRAR QUE EL COMPRADOR ES EL COMPRADOR ORIGINAL Y EL PRODUCTO FUE COMPRADO A UN MINORISTA AUTORIZADO Y QUE PUEDE HACER UNA RECLAMACIÓN VÁLIDA.

Su fecha de compra se establece a partir de la fecha de su recibo de compra. Avalon puede requerir que el comprador proporcione prueba de la calidad y el estado del enfriador de agua si el comprador realiza un reclamo bajo esta Garantía limitada. Avalon se reserva el derecho de invalidar esta Garantía limitada si se determina que el enfriador de agua, a discreción razonable de Avalon, es inadecuado o si el enfriador de agua se encuentra en condiciones insalubres. Esta garantía no se aplica si el producto se dañó o falló debido a un accidente, manejo u operación inadecuados, reubicación, abuso, mal uso, reparaciones no autorizadas realizadas o intentadas, o instalación o mantenimiento incorrectos. En virtud de esta Garantía limitada, los productos deben enchufarse directamente a un tomacorriente de pared con conexión a tierra. Conectar un producto a un cable de extensión o protector de sobretensión se considerará un uso indebido y anulará esta Garantía limitada. Si se ha producido un daño en el producto durante el envío, se debe informar el daño a Avalon dentro de los primeros 30 días a partir de la fecha de compra original para ser elegible para realizar un reclamo bajo la Garantía limitada. Los daños de envío informados a Avalon fuera de los primeros 30 días a partir de la fecha de compra original no serán elegibles para una reclamación válida bajo esta Garantía limitada. Esta garantía no cubre los costos de envío para la devolución de productos a Avalon para su reparación o reemplazo.

Para enviar un reclamo válido bajo esta Garantía limitada, se requiere la resolución de problemas del producto con un experto en éxito del cliente de Avalon. Si el Comprador rechaza la solución de problemas del producto, Avalon se reserva el derecho de rechazar el Reclamo de garantía limitada. En caso de que una pieza sea necesaria para corregir el problema con un Producto, Avalon proporcionará la pieza sin costo al comprador original bajo esta Garantía limitada. Es necesario reemplazar piezas o intentar corregir un problema con el Producto antes de presentar un reclamo por un producto de reemplazo bajo esta Garantía limitada. Avalon proporcionará las instrucciones para solucionar problemas de un Producto o reemplazar una pieza. La resolución de problemas, las reparaciones, el reemplazo de piezas, la instalación y el mantenimiento adecuado son responsabilidad del Comprador. Las instrucciones para la instalación y el mantenimiento adecuados se proporcionarán en el manual del usuario.

La instalación, el mantenimiento o las reparaciones del Producto son responsabilidad del Comprador. El Comprador se reserva el derecho de utilizar a un Tercero para la instalación, el mantenimiento y la reparación bajo su propio riesgo. Avalon no es responsable de ningún costo adicional incurrido por la instalación, mantenimiento o reparación del Producto, incluido, entre otros, el material adicional necesario para la instalación o el costo de un Tercero. Los daños o fallas del Producto debido a una instalación, mantenimiento o reparación inadecuados causados por un Tercero o el Comprador no son responsabilidad de Avalon y no estarán cubiertos por esta Garantía limitada. Las instrucciones para la instalación y el mantenimiento adecuados se proporcionarán en el manual del usuario.

CUALQUIER Y TODAS LAS GARANTÍAS, EXPRESAS O IMPLÍCITAS (INCLUYENDO, SIN LIMITACIÓN, CUALQUIER GARANTÍA IMPLÍCITA DE COMERCIABILIDAD), DURAN UN AÑO A PARTIR DE LA FECHA DE COMPRA ORIGINAL O HASTA QUE EL COMPRADOR ORIGINAL DEL PRODUCTO VENDE O TRANSFIERE EL PRIMER. EN NINGÚN CASO LA RESPONSABILIDAD DE AVALON BAJO NINGUNA GARANTÍA EXPRESA O IMPLÍCITA INCLUIRÁ (I) DAÑOS INCIDENTALES O CONSECUENTES DE CUALQUIER CAUSA, INCLUYENDO PERO NO LIMITADO A DAÑOS ELÉCTRICOS O POR AGUA, O (II) REEMPLAZO O REPARACIÓN DE CUALQUIER INTERRUPTOR RECEPTÁCULOS. A PESAR DE LO CONTRARIO, EN NINGÚN CASO LA RESPONSABILIDAD DE AVALON BAJO NINGUNA GARANTÍA EXPRESA O IMPLÍCITA EXCEDERÁ EL PRECIO DE COMPRA DEL PRODUCTO Y CUALQUIER RESPONSABILIDAD TERMINARÁ AL VENCIR EL PERIODO DE GARANTÍA.

Salvo que se disponga lo contrario, Avalon no cobrará al Comprador original por reparar o reemplazar el Producto del comprador si se considera defectuoso durante la vigencia de esta Garantía limitada, pero los costos de transporte asociados con reparaciones o reemplazos son responsabilidad del Comprador. No se proporciona ninguna garantía nueva con un producto de reemplazo. La garantía del producto de reemplazo se extiende a partir de la fecha de compra original del producto original. En el caso de que la reparación sea necesaria, dicha reparación no tendrá ningún cargo para el Comprador, excepto por los costos de transporte asociados con dicha reparación o reemplazo de un producto de conformidad con los términos de esta Garantía limitada.

En caso de que se presente un reclamo de garantía y se considere necesario un reemplazo de garantía, el comprador deberá entregar el producto original a Avalon en el momento del reemplazo.

Algunos estados y provincias no permiten limitaciones sobre la duración de una garantía implícita o la exclusión o limitación de daños incidentales o consecuentes, por lo que estas exclusiones o limitaciones pueden no aplicarse en su caso. Esta garantía le otorga derechos legales específicos. También puede tener otros derechos que varían de un estado a otro y de una provincia a otra.





Quelques pas très simples pour  
garantir une eau parfaite, à  
n'importe quel moment.



# Nous Sommes là Pour Vous Aider

---



Nous sommes également disponibles pour le tchat vidéo en direct

## Appelez-Nous:

1.800.256.0695

## Envoyez-Nous un E-mail:

support@avalonh2o.com

sales@avalonh2o.com

## Tchat en Direct:

Lundi-Jeudi: 9h-17h30

Vendredi: 9h-16h30

# Connectons-Nous

---

Suivez nos comptes de réseaux sociaux et restez au courant des dernières nouvelles d'Avalon.



@avalon\_h2o



Avalon Water Coolers



Avalonh2o

[www.avalonh2o.com](http://www.avalonh2o.com)

# Manuel d'Utilisation et de Maintenance

MODÈLES: A5BOTTLELESS • A5BLK

Registre:

S'il vous plaît, visitez le lien suivant pour pouvoir enregistrer votre nouvelle fontaine d'eau froide dans les 30 jours à partir de la date de votre achat. Enregistrer votre produit durant les 30 premiers jours activera votre garantie pendant un an.

[www.avalonh2o.com/register-my-avalon-cooler](http://www.avalonh2o.com/register-my-avalon-cooler)

S'il vous plaît, gardez votre numéro de modèle, numéro de commande et la date de l'achat pour une future assistance. Vous pouvez nous contacter au numéro de téléphone 1-800-256-0695.

Numéro de modèle \_\_\_\_\_

Numéro de commande \_\_\_\_\_

Date de l'achat \_\_\_\_\_



Tested and Certified by NSF International against NSF/ANSI Standard 42 & 53 in model ASFILTER for the reduction of lead, chlorine, cyst.

REPLACEMENT ELEMENT



This ASFILTER is Tested and Certified by NSF International against NSF/ANSI Standard 42 for materials and structural integrity requirements.

COMPONENT



# Contenu

## Concernant votre fontaine

Connaissez votre produit Avalon	1-2
Noms des composants	3-4
Voyants lumineux	5
Spécifications techniques	6
Introduction à la fonction des filtres	7

## Commencement

Déballage	9
Installation (sous l'évier)	10-11
Installation (arrivée d'eau du frigidaire)	12
Nettoyage des filtres	13-14
Finir l'installation de la fontaine d'eau froide	15-16
Activer le chauffage et le refroidissement	17
Installer et enlever le plateau anti-goutte	18

## Guide d'utilisation et de maintenance

Faire couler l'eau	20
Changement des filtres	21-23
Détection de fuites	24

## Nettoyage

Fonction d'auto-nettoyage	26
Rincer, Laver et Drainage	27-29
Nettoyage	30-31

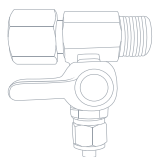
## Dépannage

## Sécurité

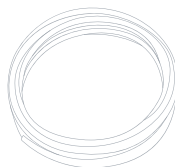
## Garantie

## Connaissez Votre Produit Avalon

Dans la boîte vous trouverez:



**Adaptateur métallique  
avec clapet**  
(3/8" compression)



**Tube de polyéthylène**  
(20' longueur, 1/4" diamètre)



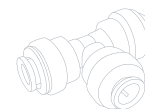
**Adaptateur  
nettoyage de Filtre**



**Filtre à charbon**



**Filtre de sédiments**



**Adaptateur de 3 voies  
en plastique**  
(1/4")

# Connaissez votre produit Avalon



## Design Attractif

Design attractif en acier inox avec 3 jets d'eau



## Températures sur mesure

très chaude, fraîche, ou eau super froide



## Double étape de filtrage

Filtrage double pour une double tranquillité



## Ne vous fatiguez plus à nettoyer

Auto-nettoyage fonction UV pour une purification de l'eau de longue durée



## Fabriquée avec veilleuse de nuit

Facilite aller boire de l'eau pendant la nuit



## Filtres avec certification NSF

Nous respectons des stricts critères pour une protection de la santé publique



## Protection UL

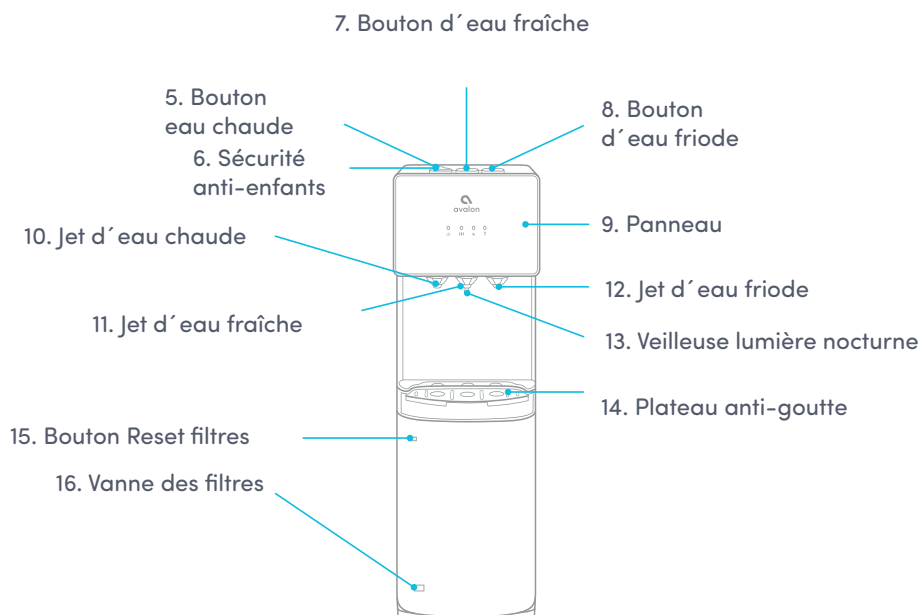
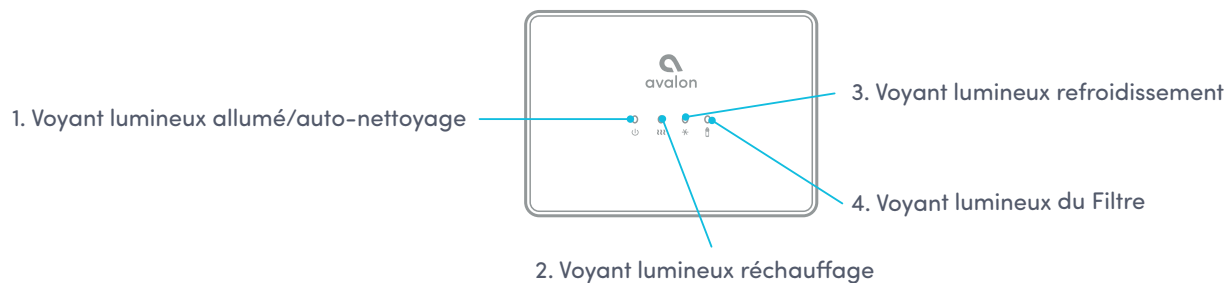
Nous concevons & construisons en pensant à votre sécurité



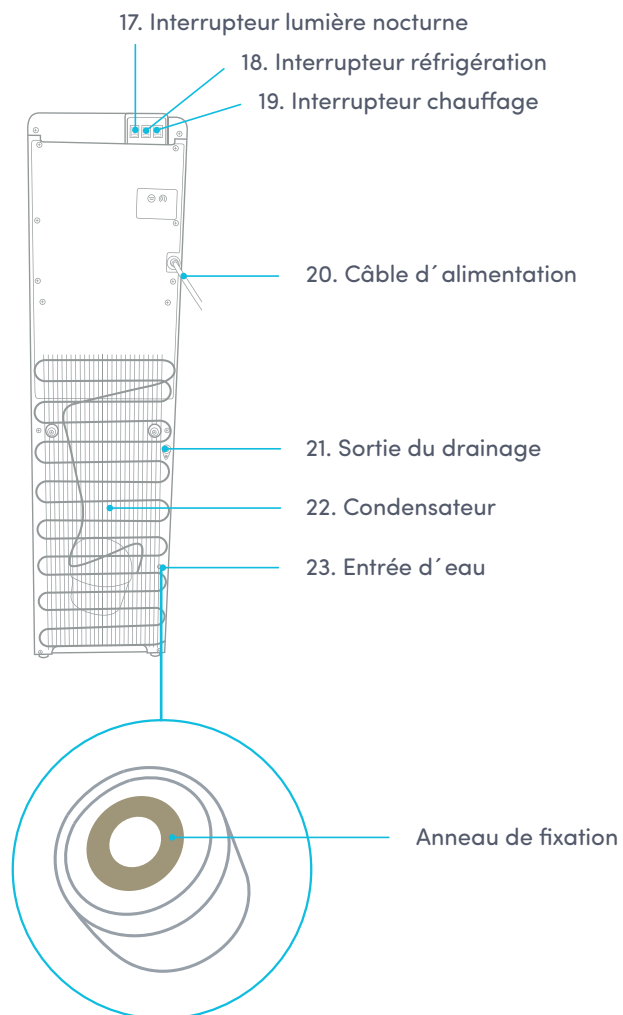
## Sécurité pour les enfants

Garantit un jet d'eau chaude sûr pour toute la famille

## Noms des composants



# Noms des composants



## Voyants lumineux

### Voyant lumineux allumé/auto-nettoyage



Ce voyant reste allumé pour indiquer que l'appareil est branché et que l'alimentation est en marche. Cela vous permettra également de savoir que les UV fonctionnent.

### Voyant lumineux réchauffage



Cette lumière indique que l'eau est en train de se chauffer. La lumière demeurera allumée pendant que l'eau se chauffe et elle s'éteindra lorsque l'eau atteindra la température adéquate de 185°F (85°C). Quand l'eau sort à travers le jet, le réservoir d'eau chaude se remplit et l'eau se réchauffe à nouveau. Pendant le temps que l'eau se réchauffe, cette lumière continuera allumée.

### Voyant lumineux de refroidissement



Cette lumière indique que l'eau est en train de se refroidir. La lumière demeurera allumée pendant que l'eau se refroidit et elle s'éteindra lorsque l'eau atteindra la température adéquate de 47°F (8.3°C). Quand l'eau sort à travers le jet, le réservoir d'eau froide se remplit et l'eau se refroidit à nouveau. Pendant le temps que l'eau se refroidit, cette lumière continuera allumée.

### Voyant lumineux du Filtre



Ce voyant lumineux rouge s'allumera lorsque le filtre a besoin d'être changé. Le voyant rouge commencera à clignoter pour prévenir que le filtre doit être changé prochainement. Lorsque la vie utile du filtre est terminée, le voyant lumineux restera allumé et le dispositif émettra un signal sonore pour vous avertir que le filtre doit être changé immédiatement.

## Spécifications techniques

Modèles	A5BOTTLELESS
Avalon Modèles	A5BOTTLELESS • A5BLK
Chaude/friode/Fraîche Sortie	1.8L/min / 2.2L/min / 2.0L/min
Capacité d' eau chaude	4 L/H (≥ 185°F)
Volume du réservoir d' eau chaude	1.16 Litres
Capacité d' eau friode	2.5 L/H (≤ 50°F)
Volume du réservoir d' eau friode	3.6 Litres
Pression de l' eau	0.1-0.4 MPa
Eau utilisée	Eau du robinet
Filtrage étape 1	Sédiments
Filtrage étape 2	Bloque de Charbon
Taille du produit	13"(L)x12"(W)x41"(H)
Taille du colis	16"(L)x15"(W)x45"(H)
Poids Net/Poids Brut	36.15 lb/46.5 lb
Voltage/Fréquence	115V 60Hz
Méthode de réfrigération	Compresseur
Méthode du chauffage	Élément interne
Watts du chauffage / Watts de la réfrigération	420W/100W
Consommation électrique	520W

## Introduction au fonctionnement des filtres

Étape	Filtre	Fonctions
Étape 1	Filtre de sédiments	Processus de filtration de l'eau non dépurée pour retirer les oxydes, saletés et sédiments
Étape 2	Filtre à charbon	Élimine les odeurs, le chlore résiduel, matières organiques et améliore le goût de l'eau



# Commencement

## Déballage de votre fontaine d'eau froide Avalon

### Placer la Fontaine

- NE CONNECTEZ PAS encore le câble d'alimentation.
- Placez la Fontaine droite sur une surface dure et plane, dans un endroit frais et à l'ombre, à côté d'une prise de courant du mur. Situez la Fontaine de manière qu'elle ait une distance de 4 pouces par rapport au mur aussi bien derrière que sur ses côtés.

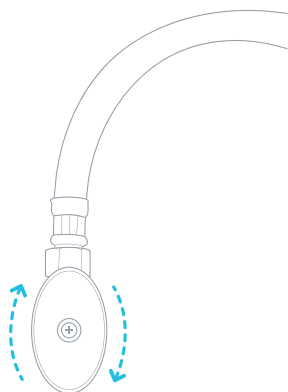
### Mettre les Accessoires

- Déballez le produit et installez le plateau anti-gouttes à sa place, pour cela, lisez la page 19.
- Sortez les pièces d'installation de l'intérieur du boîtier de l'appareil et suivez les instructions d'installation ci-dessous.

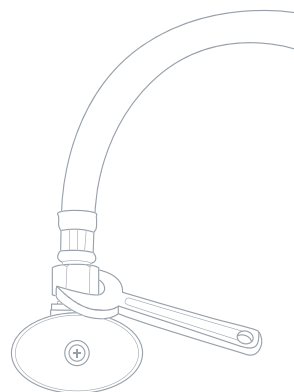
## Installation (sous l'évier)

Installer l'adaptateur métallique avec clapet

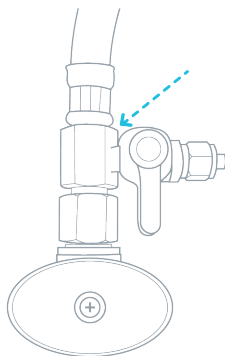
1. Coupez l'arrivée d'eau froide, qui est la source d'eau de votre évier.



2. Déconnectez l'arrivée d'eau froide sous votre évier.



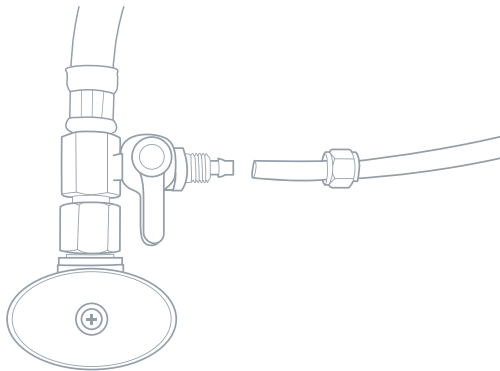
3. Connectez l'Adaptateur métallique avec clapet entre l'arrivée d'eau froide et la vanne de l'eau froide.



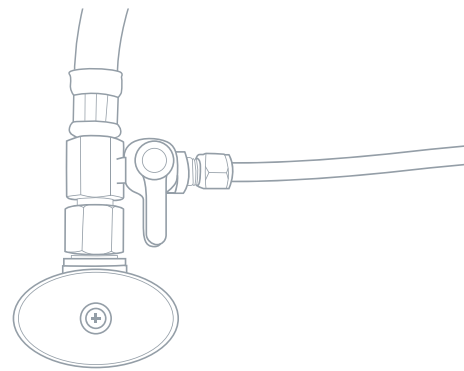
## Installation (sous l'évier)

Installer l'adaptateur métallique avec clapet

4. Enlevez l'écrou de l'Adaptateur métallique avec clapet et insérez le Tube de Polyéthylène à travers l'écrou. Faites glisser le Tube de Polyéthylène jusqu'à la partie saillante de l'Adaptateur où était situé l'écrou jusqu'à arriver au pas de vis.



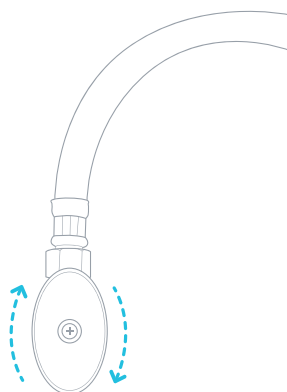
5. Vissez l'écrou fortement à sa place pour garantir que le Tube de Polyéthylène soit fermement connecté à l'Adaptateur métallique avec clapet. Vérifiez que le clapet est sur sa position fermée (perpendiculaire au Tube de Polyéthylène).



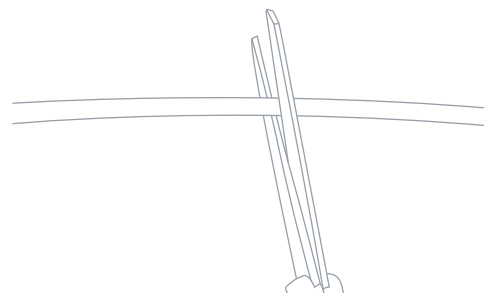
## Installation (Arrivée d'eau du frigidaire)

Installer l'Adaptateur de Trois Voies en plastique

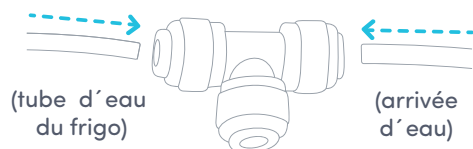
1. Coupez l'arrivée d'eau qui est la source d'eau de votre frigidaire



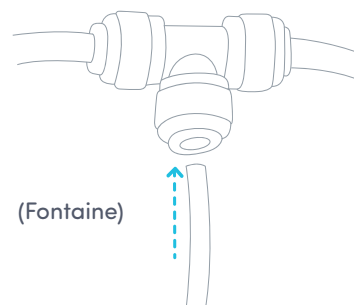
2. Coupez le tube de 1/4" qui connecte à l'arrière de votre frigidaire ou de votre machine à glace. Faites-le vers la fin du tube qui est inséré dans le frigo.



3. Insérez chaque extrémité du tube de 1/4" coupé dans chacun des trous de l'Adaptateur de Trois voies en plastique.



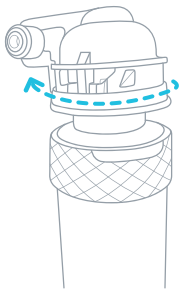
4. Insérez une des extrémités du Tube de Polyéthylène qui vient avec la Fontaine avec le troisième trou de l'Adaptateur de Trois Voies en Plastique.



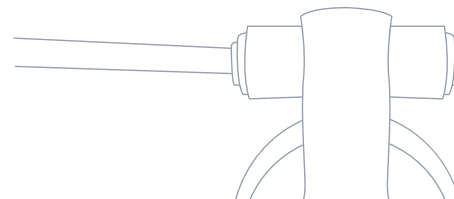
## Nettoyage des filtres avant leur utilisation

Avant de continuer avec l'installation, nous vous recommandons de rincer les filtres pendant à peu près 2 minutes.

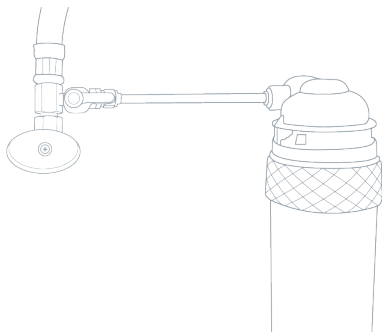
1. Vissez le filtre avec l'Adaptateur de nettoyage de filtre inclus, dans le sens des aiguilles d'une montre.



2. Prenez l'extrémité du Tube de Polyéthylène qui est maintenant connecté à l'arrivée d'eau et insérez-le dans l'entrée gauche de l'Adaptateur de nettoyage de filtre dans le sens de la flèche.

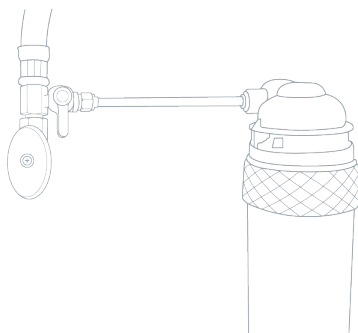


3. Tenez le filtre avec l'Adaptateur de nettoyage de filtre au dessus de l'évier. Tournez le clapet de l'Adaptateur métallique à l'arrivée d'eau (la position ouverte est parallèle au tube de polyéthylène) et laissez passer l'eau pendant 2 minutes pour rincer le nouveau filtre.

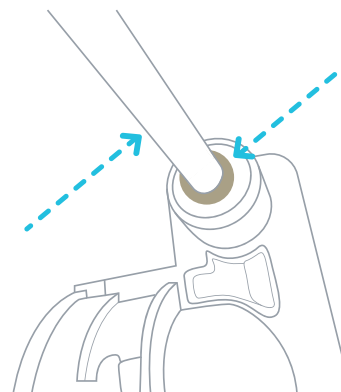


## Nettoyage des filtres avant leur utilisation

4. Tournez le clapet de l'Adaptateur métallique à l'arrivée d'eau pour le fermer. Retirez le filtre de l'Adaptateur de nettoyage de filtre.



5. Retirez le Tube de polyéthylène de l'Adaptateur de nettoyage de filtre en faisant pression sur l'anneau de connexion et en tirant du Tube de polyéthylène.

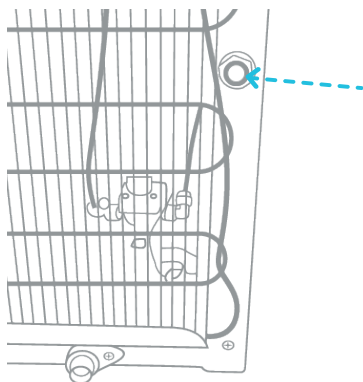


Répétez à nouveaux les pas des instructions 1-5 pour nettoyer le Filtre à charbon.

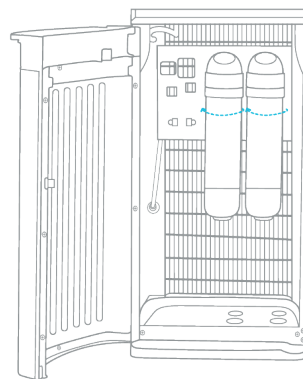
## Finir l'installation de la Fontaine d'eau froide

Après avoir rincé et enlevé les filtres et le tube de polyéthylène de l'Adaptateur de nettoyage de filtre, tout est prêt à présent pour finir l'installation.

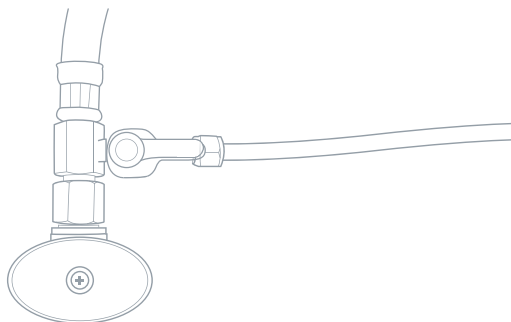
1. Enlevez le bouchon d'entrée d'eau (#23), à l'arrière du dispositif. Pour cela, faites pression sur l'anneau de connexion qui est sous le bouchon. Insérez le Tube de polyéthylène sur l'entrée d'eau (#23). Vérifiez que le Tube de polyéthylène est bien fixé.



2. Ouvrez la porte du compartiment du dispositif. Vissez les filtres dans leur emplacement en suivant le sens des aiguilles d'une montre. Le filtre de sédiments se situe à gauche et le filtre à charbon doit être à droite.



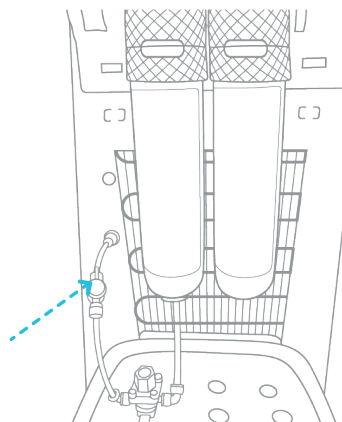
3. Tournez la vanne de l'arrivée d'eau pour l'ouvrir (la position ouverte est parallèle au Tube de Polyéthylène).



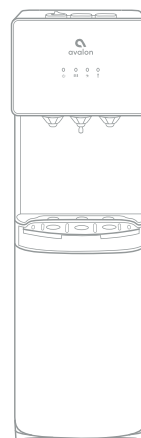


## Finir l'installation de la fontaine d'eau froide

4. Tournez la vanne qui est située à gauche des filtres dans le compartiment. (la position ouverte est parallèle au Tube de polyéthylène).



5. Une fois l'installation de l'arrivée d'eau et des filtres complétée, connectez le câble d'alimentation à une prise de courant sur le mur et commencez à utiliser la machine. Laissez que la machine remplisse de 10 à 15 minutes les réservoirs avant de l'utiliser. Continuez à suivre les instructions.



10-15  
min

## Activer le chauffage et le refroidissement

Avant d'allumer les interrupteurs de chauffage (#19) ou de réfrigération (#18), vérifiez que l'eau est déjà en train de remplir les réservoirs internes en faisant couler une goutte d'eau des jets d'eau chaude (#10) et froide (#12).

Pour activer l'eau froide, appuyez sur l'interrupteur de réfrigération (#18) sur sa position ON (I) en appuyant la partie d'en haut de l'interrupteur. Si vous ne voulez pas avoir d'eau froide, vous pouvez laisser l'interrupteur sur sa position fermée (O).

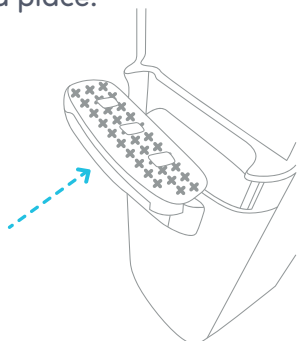
Pour activer l'eau chaude, appuyez sur l'interrupteur de chauffage (#19) sur sa position ON (I) en appuyant la partie d'en haut de l'interrupteur. Si vous ne voulez pas avoir d'eau chaude, vous pouvez laisser l'interrupteur sur sa position fermée (O).

Patiencez 15 minutes pour que l'eau puisse être chaude. Pendant ce temps, le voyant lumineux de réchauffage (#2) restera allumé. La lumière s'éteint lorsque le processus de réchauffage de l'eau est terminé. Patiencez 1 heure pour que l'eau soit refroidie. Pendant ce temps, le voyant lumineux de réfrigération (#3) restera allumé. La lumière s'éteint (O) lorsque le processus de réfrigération de l'eau est terminé. S'il se produisait n'importe quelle erreur pendant les processus de réchauffage et de réfrigération, le voyant lumineux clignoterait.

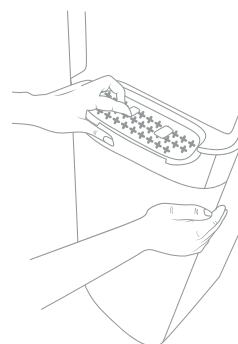
## Installer et retirer le plateau anti-goutte

Aucun drainage externe n'est nécessaire, l'excédent d'eau est accumulé ici. Le témoin rouge émergera lorsque le plateau anti-goutte est besoin d'être vidé.

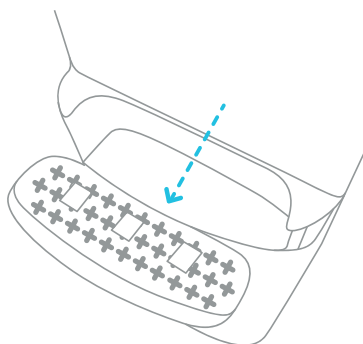
1. Pour installer le plateau anti-goutte, glissez-le simplement dans la zone de la partie supérieure de la porte jusqu'à qu'il soit à sa place.



2. Pour retirer le plateau anti-goutte, placez vos doigts sur la grille du plateau avec une main et maintenez la porte de la fontaine avec l'autre main.



3. Tirez doucement du plateau pour le faire sortir. Une fois que le plateau est libre, vous pouvez l'enlever de la porte pour pouvoir le vider.



# Guide d'utilisation et maintenance

## Faire couler l'eau

### Eau froide

Quand vous aurez appuyé l'interrupteur de réfrigération (#18) sur sa position allumé (I), le dispositif mettra environ 1 heure pour refroidir l'eau. Pendant ce temps, le voyant lumineux de refroidissement (#3) sur le symbole d'eau froide restera allumé. Pendant ce temps, le compresseur peut fonctionner sans arrêt. Ceci est normal. La lumière s'éteint quand le processus de réfrigération est terminé.

1. Placez une bouteille, un verre, une carafe ou une casserole sous le jet d'eau froide (#12).
2. Appuyez sur le bouton d'eau froide (#8) pour faire couler l'eau.
3. Lorsque vous avez atteint le niveau d'eau souhaité, cessez d'appuyer sur le bouton d'eau froide (#8).

### Eau fraîche

1. Placez une bouteille, un verre, une carafe ou une casserole sous le jet d'eau fraîche (#11).
2. Appuyez sur le bouton d'eau fraîche (#7) pour faire couler l'eau.
3. Lorsque vous avez atteint le niveau d'eau souhaité, cessez d'appuyer sur le bouton d'eau fraîche (#7).

### Eau Chaude

Quand vous aurez appuyé l'interrupteur de chauffage, (#19) dans sa position allumé (I), le dispositif mettra environ 15-20 minutes pour chauffer l'eau. Pendant ce temps, le voyant lumineux de réchauffage (#2) sur le symbole d'eau chaude restera allumé. La lumière s'éteint quand le processus de réchauffage est terminé.

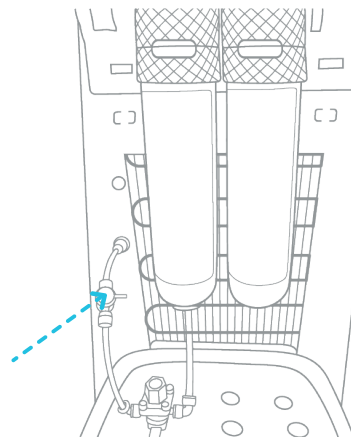
1. Placez une bouteille, un verre, une carafe ou une casserole sous le jet d'eau chaude (#10).
2. Faites glisser vers la gauche le verrou rouge de sécurité pour enfants (#6) et appuyez sur le bouton d'eau chaude (#5) pour faire couler l'eau. Vous devez appuyer en même temps le verrou de sécurité pour enfant (#6) et le bouton d'eau chaude.
3. Lorsque vous avez atteint le niveau d'eau souhaité, cessez d'appuyer sur le bouton d'eau chaude (#5).

## Changer les filtres

1. Lorsque la durée de vie du filtre est sur le point de finir, soit à cause du nombre de jets d'eau utilisés, soit après 6 mois, le voyant lumineux du filtre (#4) sur la droite du panneau de devant commencera à clignoter en rouge comme avertissement. Lorsque la durée de vie du filtre est terminée, le voyant rouge restera allumé et la machine émettra un signal sonore pour vous informer que le filtre doit être changé.

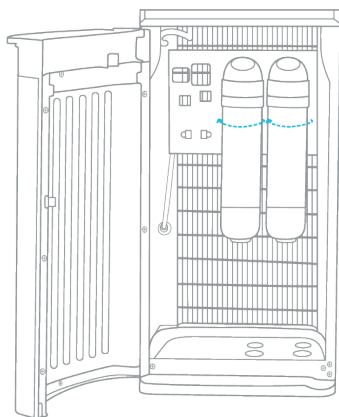


2. Fermez la vanne située dans l'entrée d'eau ou la vanne située à gauche des filtres, à l'intérieur du compartiment.

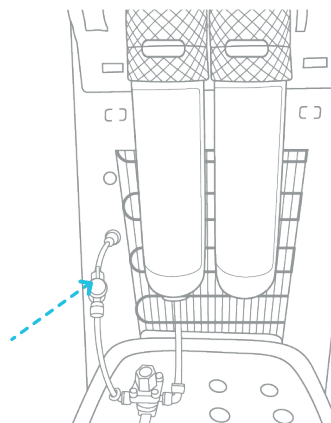


## Changer les filtres

3. Dévissez les filtres expirés pour les remplacer. Insérez les nouveaux filtres dans leur emplacement en les vissant dans le sens des aiguilles d'une montre.



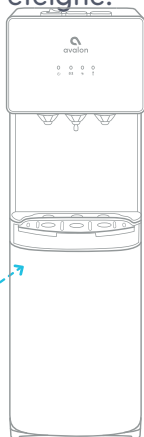
4. Tournez la vanne (soit celle qui est située à l'arrivée d'eau, soit celle qui est à gauche des filtres) que vous aviez préalablement fermée, pour l'ouvrir à nouveau.



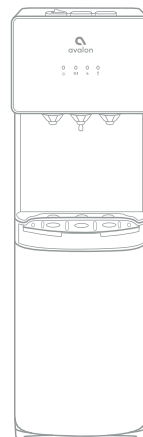
## Changer les filtres

5. Après avoir changé les filtres, continuez à appuyer le bouton de Reset des filtres (#15) qui se trouve sur la partie supérieure gauche du compartiment. Continuez à appuyer ce bouton jusqu'à que le voyant lumineux du filtre (#4) s'éteigne.

(dans le  
compartiment)



6. Pour rincer les nouveaux filtres, laissez que l'eau coule du jet d'eau froide (#12) pendant environ 2 minutes.





## Détection de fuites



Nos machines sont équipées avec un détecteur de fuites high-tech qui vous informera de toute fuite potentielle. De plus, la machine arrêtera automatiquement toute nouvelle entrée d'eau pour éviter une potentielle inondation. Dans le cas d'une éventuelle fuite, les voyants lumineux de réchauffage (#2), refroidissement (#3) et de filtre (#4) commenceront à clignoter et vous entendrez un signal sonore. Révisez à côté de la machine toute fuite d'eau pour essayer de déterminer l'origine de la fuite. Si vous trouvez l'origine de la fuite, vous pouvez téléphoner à notre téléphone d'assistance pour que nous vous aidions. Si vous n'arrivez pas à trouver l'origine de la fuite, celle-ci a pu être provoqué par un écoulement accidentel d'eau ou lors du changement de filtre. Le détecteur de fuites est à l'arrière en bas à gauche du compartiment. Débranchez votre fontaine d'eau froide et vérifiez que la zone et le capteur sont secs. Rebranchez la machine, les voyants lumineux arrêteront de clignoter et le signal sonore cessera. La machine sera à nouveau opérationnelle.

# Nettoyage

## Fonction d'auto-nettoyage

Le refroidisseur d'eau dispose d'un système de nettoyage UV automatique intégré qui tue les bactéries à l'intérieur de la machine. Le nettoyage UV se déroulera à intervalles automatiques au fur et à mesure de l'utilisation de la machine.

Il s'agit d'une méthode inoffensive et efficace pour garantir que l'eau à l'intérieur de la machine reste exempte de bactéries.

## Rincer, Nettoyer et Drainer

Pour prolonger la durée de vie de votre machine, nous vous recommandons que le dispositif soit nettoyé et désinfecté manuellement tous les six mois.

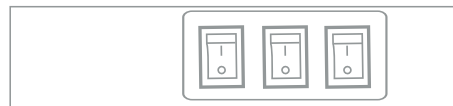
### Pour nettoyer l'extérieur du dispositif

Utilisez un désinfectant de votre choix pour nettoyer l'extérieur de la machine. Le désinfectant n'est pas inclus avec ce dispositif. Vous pouvez l'acheter dans n'importe quel magasin.

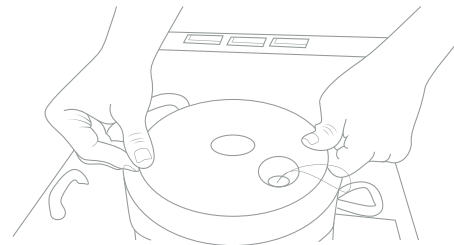
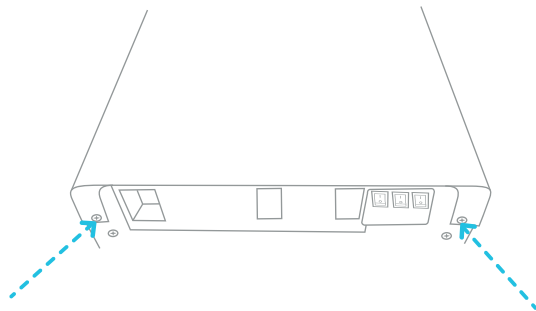
### Pour rincer l'intérieur du dispositif

Cette machine a été désinfectée avant de sortir de l'usine. Cependant, nous vous recommandons de rincer et de drainer le dispositif avant de réaliser son installation.

1. Avant de réaliser le nettoyage, vérifiez que les interrupteurs de réfrigération (#18) et de chauffage (#19) sont éteints (O) et déconnectez la machine.

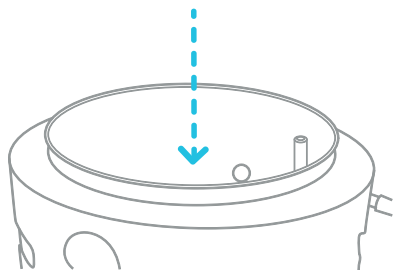


2. Enlevez les deux vis à l'arrière de la fontaine (en haut, alignés avec les interrupteurs). Retirez le couvercle en le soulevant depuis un angle et tirez. Enlevez le couvercle blanc du réservoir d'eau froide et le séparateur.

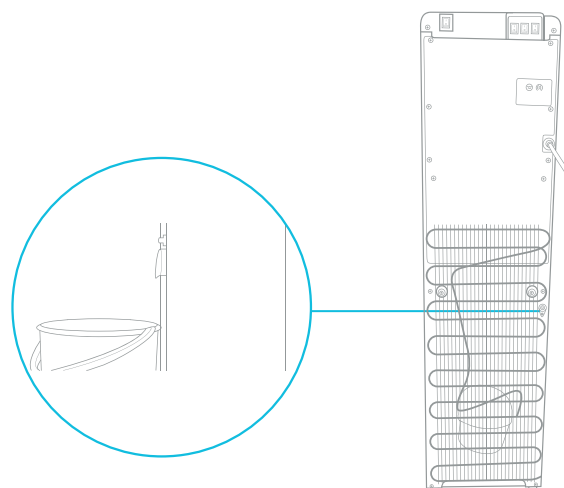


## Rinsing, Cleaning, and Draining

3. Remplissez 0.6 galons (2.27 litres) d'eau propre dans le réservoir d'eau froide. (Le réservoir d'eau froide et le couvercle blanc).



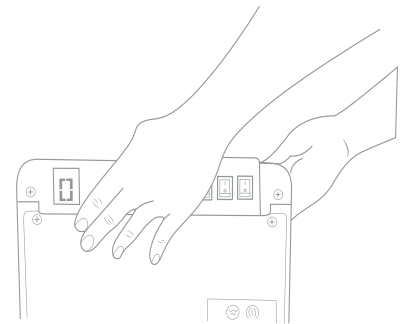
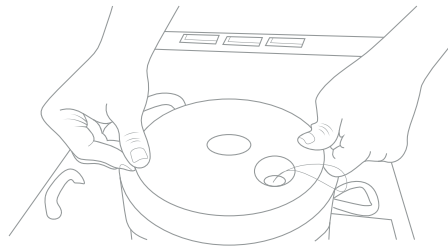
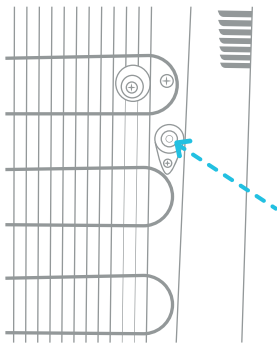
4. Placez un grand seau sous la sortie de drainage (#21) située derrière le dispositif. Enlevez le bouchon de drainage et laissez couler l'eau pour drainer le dispositif. L'eau commencera à se drainer dès que vous enlèverez le bouchon de drainage.



**Attention:** La fontaine chauffe l'eau à une température aux environs de 185°F (85°C). Cela peut provoquer des brûlures sévères si vous ne faites pas attention lorsque vous l'utilisez ou vous la nettoyez. S'il vous plaît, laissez un laps de temps important parce que toute eau chaude à l'intérieur de la machine se refroidisse avant de faire le drainage

## Rincer, Nettoyer et Drainer

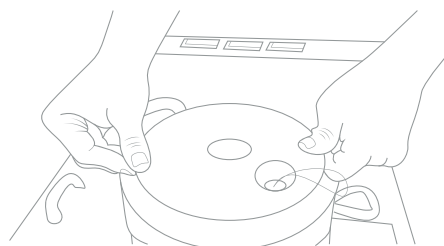
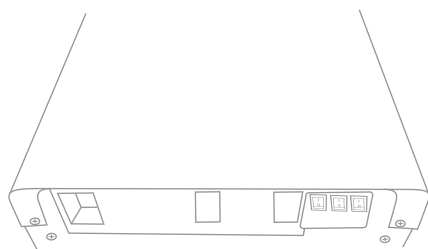
5. Quand l'eau a été complètement drainée, remettez le bouchon de drainage, le couvercle du réservoir d'eau froide et le couvercle du dispositif. Vérifiez que tous les tubes et câbles soient à nouveau connectés et vous pourrez utiliser à nouveau la fontaine d'eau froide.



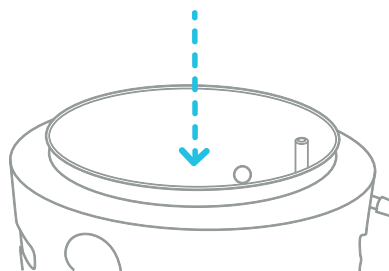
## Nettoyage

Pour éliminer les dépôts de minerais qui peuvent apparaître au fond du réservoir d'eau froide, mélangez 4 L d'eau avec 200 gr de cristaux d'acide citrique (non inclus) ou n'importe quel autre mélange de nettoyage de votre choix.

1. Dévissez le couvercle et retirez-le du réservoir d'eau froide.

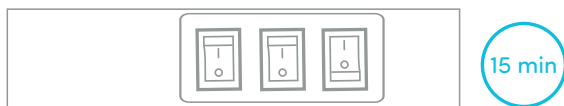


2. Mettez le mélange dans le réservoir d'eau froide de la machine et vérifiez que l'eau puisse couler à travers le jet d'eau chaude (#10).

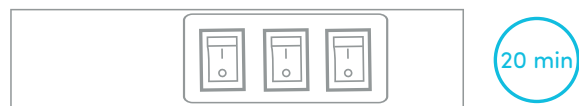


# Nettoyage

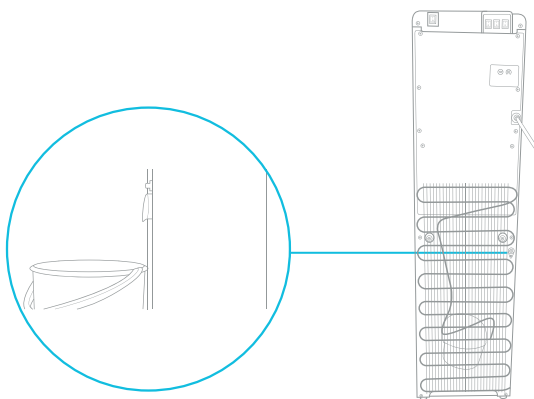
3. Connectez le câble d'alimentation et allumez (I) l'interrupteur de chauffage (#19). Laissez que l'eau se chauffe pendant 15 minutes.



4. Éteignez (O) l'interrupteur de chauffage (#19) et laissez que le mélange liquide se refroidisse pendant 20 minutes.



5. Drainez le liquide à travers la sortie de drainage (#21) et rincez deux ou trois fois en suivant les instructions de rinçage. Ne démontez que les pièces mentionnées pour éviter tout préjudice à l'appareil.





# Dépannage

## Dépannage

Si vous avez un problème avec votre fontaine d'eau froide, regardez les solutions suivantes. Vous pouvez aussi voir nos vidéos de résolutions de problèmes sur notre site d'internet. N'hésitez pas à nous contacter si vous avez des questions à nous poser.



1-800-256-0695



support@avalonh2o.com



www.avalonh2o.com

## Dépannage

**Les voyants lumineux clignotent et le dispositif émet un signal sonore.**

Si les voyants lumineux #2, #3 y #4 clignotent et le dispositif émet un signal sonore, la machine vous prévient qu'il peut y avoir une fuite d'eau. S'il vous plaît, consultez la page 25.

### Fuite d'eau du dispositif

- Vérifiez que tous les conduits sont correctement connectés.
- Examinez l'adaptateur pour vérifier qu'il y a une connexion correcte.
- Il se peut que le conduit d'eau doive être changé.

### L'eau ne coule pas à une température froide ou chaude.

Ceci peut être dû à une consommation excessive d'eau pendant une courte période de temps, provoquant que les réservoirs soient vides. S'il vous plaît, laissez de 5 à 10 minutes pour que les réservoirs de la fontaine se remplissent à nouveau. Laissez aussi un temps raisonnable pour que l'eau se chauffe et se refroidisse.

Cela a pu être dû aussi à une interruption du réseau électrique. Vérifiez que le câble d'alimentation est bien branché. Vérifiez aussi que les interrupteurs de chauffage (#19) et réfrigération (#18) soient allumés (I).

# Sécurité

## Sécurité

Pour réduire les risques de blessures et dégâts matériels, l'utilisateur doit lire complètement ce guide avant d'installer et d'utiliser cette fontaine d'eau froide.

Une erreur au moment d'exécuter les instructions de ce manuel peut provoquer des dégâts matériels et des dommages corporels.

Ce produit donne de l'eau à de très hautes températures. Une utilisation incorrecte de ce dispositif peut provoquer des dommages corporels.

Lorsque vous utilisez cette fontaine d'eau froide, appliquez toujours des précautions basiques de sécurité, dont les suivantes:

- Avant d'être utilisé, cette fontaine doit être assemblée et installée correctement selon les instructions de ce manuel.
- Cette fontaine a été conçue pour donner uniquement de l'eau. **N'UTILISEZ PAS**
- d'autres liquides. **N'UTILISEZ PAS** cette fontaine pour d'autres finalités. N'utilisez pas d'autres liquides à part l'eau de robinet microbiologiquement sûre.
- Uniquement pour une utilisation à l'intérieur. Placez la fontaine dans un endroit sec et protégé de la lumière directe du soleil. Ne pas utiliser à l'extérieur.
- Installez-la et utilisez-la uniquement sur une surface dure et plate
- **NE PAS** installer la fontaine dans un espace fermé ou un placard.
- **NE PAS** utiliser la fontaine en présence de vapeurs explosives.
- Le côté arrière de la fontaine doit être séparé du mur d'au moins 20 cm et permettre ainsi la circulation de l'air entre le mur et la fontaine. Il doit y avoir au moins 20 cm d'espace sur les autres côtés de la fontaine pour permettre une circulation de l'air.
- Utilisez uniquement des prises de courant avec terre.
- Ne pas utiliser une rallonge pour votre fontaine.
- Saisissez toujours le connecteur et tirez de la prise. Ne déconnectez jamais en tirant du câble d'alimentation.
- Pour éviter des décharges électriques, **NE MOUILLEZ PAS** le câble, prise ou toute autre pièce de la fontaine avec de l'eau ou tout autre liquide

## Sécurité

- Vérifiez que la fontaine est déconnectée avant de la laver.
- Ne laissez pas les enfants se servir de l'eau chaude sans une correcte et directe surveillance. Déconnectez le dispositif pour éviter une utilisation par des enfants sans surveillance.
- La maintenance doit être uniquement réalisée par un technicien qualifié.
- Attention: N'endommagez pas le circuit de refroidissement.
- Ce dispositif peut être utilisé par des enfants de plus de 8 ans à condition qu'ils aient reçus une supervision ou des instructions par rapport à une utilisation sûre du dispositif et s'ils comprennent les risques dérivés. Le nettoyage et la maintenance de la part de l'utilisateur ne doivent pas être réalisés par des enfants sauf s'ils ont plus de 8 et s'ils sont sous surveillance. Tenez hors de la portée des enfants de moins de 8 ans le dispositif et son câble.
- Le dispositif peut être utilisé par des personnes avec des capacités physiques, mentales ou sensorielles réduites ou avec un manque d'expérience ou de connaissances à condition qu'il aient reçu une supervision ou des instructions par rapport à une utilisation sûre du dispositif et s'ils comprennent les risques dérivés. Les enfants ne doivent pas jouer avec de dispositif.
- Ce dispositif a été conçu pour une utilisation domestique ou similaire comme: des zones de cuisine dans des boutiques, bureaux et autres environnements de travail, d'hôtels et des applications non commerciales.
- Ne gardez pas des substances explosives comme des bombes aérosols ou des sprays inflammables dans ce dispositif.
- Si le câble d'alimentation est endommagé, il doit être remplacé par un câble spécial, disponible chez le fabricant ou son intermédiaire.
- Ne mettez jamais la machine à l'envers et ne l'inclinez pas à plus de 45°.
- Le thermostat a été réglé. Il n'y a aucune raison que vous le régliez vous-même. Quand la machine est en dessous du point de congélation et qu'elle est bloquée par de la glace, vous devrez éteindre l'interrupteur de réfrigération pendant 4 heures avant de le rallumer et de continuer à l'utiliser.
- Cette machine ne doit pas se reconnecter à nouveau avant 3 minutes après avoir été déconnectée.

# Garantie

# Garantie

Les modèles inclus sont:

A1TLWATERCOOLER, A2TLWATERCOOLER, A3BLOZONEWTRCLR, A3F, A3F-SC, A4BLWTRCLR, A4F, A1BOTTLELESS, A5BOTTLELESS, A5BLK, A6BLWTRCLR, A6BLWTRCLRBLK, A7BOTTLELESS, A7BOTTLELESSBLK, A8CTBOTTLELESSWHT, A8CTBOTTLELESSBLK, A9CTELECTRICSS, A9ELECTRICBLK, A9ELECTRICWHT, A10-TL, A11-CTTL, A12-CTPOU, A13, A14, A15, A1CTWTRCLRBLK, A1CTWTRCLRWHT, A3BLK, A4F, A5BLK, A6SC-WHT, A6SC-BLK, A10BLK, A11BLK, A12BLK, A13BLK, A14BLK, A13CT, A13-S, B8WHT, B8BLK, A9

Les produits énumérés ci-dessus sont couverts par les termes de cette garantie limitée. Aux fins de cette garantie limitée, le terme «produit» désigne tout refroidisseur d'eau en bouteille ou sans bouteille fabriqué pour Avalon. Avalon garantit qu'elle remplacera ou réparera, au choix d'Avalon, le produit Avalon de l'acheteur vendu aux États-Unis ou au Canada par un détaillant autorisé si ce produit est défectueux en raison d'un défaut de fabrication ou de matériaux, sous réserve des limitations décrites dans cette garantie limitée. Avalon décline toute responsabilité quant à la qualité des marchandises, sauf indication contraire dans cette garantie. Il n'y a aucune garantie qui s'étend au-delà de la description au recto des présentes. Cette garantie limitée n'est valable que dans le cadre de l'achat initial de nouveaux produits auprès de détaillants autorisés et s'étend à partir de la date d'achat originale du produit original acheté. Cette garantie s'applique uniquement à l'acheteur original du produit et dure un (1) an à compter de la date de l'achat initial ou jusqu'à ce que l'acheteur original du produit vende ou transfère le produit, selon la première éventualité. Un «acheteur d'origine», aux fins de la présente garantie limitée, est une personne physique ou morale qui achète le produit directement auprès d'Avalon ou d'un détaillant autorisé d'Avalon avec l'intention d'utiliser le produit à des fins personnelles et commerciales ou avec l'intention de revendre le produit. Un «détaillant autorisé», aux fins de cette garantie limitée, est une personne ou une entité autorisée par Avalon à vendre le produit directement aux acheteurs originaux. Un individu ou une entité qui achète le produit de quelque source que ce soit dans l'intention de revendre le produit est un revendeur non autorisé («revendeur non autorisé»). Aux fins de cette garantie limitée, un «tiers» sera considéré comme un plombier, une entreprise d'entretien ou une personne embauchée par l'acheteur.

Cette garantie limitée ne s'applique pas aux produits utilisés, remis à neuf, renouvelés, de modèle de plancher ou de «démonstration», ni aux produits vendus par des revendeurs non autorisés, y compris, sans s'y limiter, les revendeurs non autorisés sur des sites Web tiers, y compris, sans s'y limiter, Craigslist, eBay, Amazon, etc. Les revendeurs non autorisés ne sont pas des «acheteurs originaux» aux fins de cette garantie limitée. Si l'acheteur n'est pas l'acheteur original de ce produit, l'acheteur prend le produit «EN L'ÉTAT», avec tous les défauts et sans garantie. Avalon se réserve le droit d'exiger un numéro de série valide situé sur votre produit pour soumettre une réclamation valide dans le cadre de cette garantie limitée. Les produits dont le numéro de série a été supprimé ou des preuves montrant le retrait ou la tentative de retrait de l'étiquette du numéro de série ne seront pas éligibles pour faire une réclamation dans le cadre de cette garantie limitée. SI L'ACHAT DE CE PRODUIT N'ÉTAIT PAS DIRECTEMENT AUPRÈS D'AVALON, UNE PREUVE D'ACHAT SERA REQUISE POUR DÉMONTRER QUE L'ACHETEUR EST L'ACHETEUR ORIGINAL ET QUE LE PRODUIT A ÉTÉ ACHETÉ AUPRÈS D'UN DÉTAILLANT AGRÉÉ, ET ADMISSIBLE À FAIRE UNE RÉCLAMATION VALIDE EN VERTU DE CETTE GARANTIE LIMITÉE.

Votre date d'achat est établie à partir de la date de votre ticket de caisse. Avalon peut exiger de l'acheteur qu'il fournisse une preuve de la qualité et de l'état du refroidisseur d'eau si l'acheteur fait une réclamation en vertu de cette garantie limitée. Avalon se réserve le droit d'annuler cette garantie limitée si le refroidisseur d'eau est jugé, à la discrétion raisonnable d'Avalon, comme étant inadéquat ou si le refroidisseur d'eau se révèle être dans un état insalubre. Cette garantie ne s'applique pas si le produit a été endommagé ou échoué en raison d'un accident, d'une mauvaise manipulation ou d'une mauvaise utilisation, d'un déplacement, d'un abus, d'une mauvaise utilisation, de réparations non autorisées effectuées ou tentées, ou d'une installation ou d'un entretien incorrect. Dans le cadre de cette garantie limitée, les produits doivent être branchés directement dans une prise murale mise à la terre. Brancher un produit sur une rallonge ou un parasurtenseur sera considéré comme une mauvaise utilisation et annulera cette garantie limitée. Si des dommages au produit sont survenus pendant le transport, les dommages doivent être signalés à Avalon dans les 30 premiers jours à compter de la date d'achat d'origine pour être admissible à faire une réclamation dans le cadre de la garantie limitée. Les dommages d'expédition signalés à Avalon en dehors des 30 premiers jours à compter de la date d'achat d'origine ne seront pas éligibles pour une réclamation valide en vertu de cette garantie limitée. Cette garantie ne couvre pas les frais d'expédition pour le retour des produits à Avalon pour réparation ou remplacement.

Pour soumettre une réclamation valide dans le cadre de cette garantie limitée, le dépannage du produit avec un expert en réussite client Avalon est nécessaire. Si le dépannage du produit est refusé par l'acheteur, Avalon se réserve le droit de refuser la réclamation de garantie limitée. Dans le cas où une pièce est nécessaire pour corriger le problème avec un produit, Avalon fournira la pièce sans frais à l'acheteur d'origine dans le cadre de cette garantie limitée. Le remplacement des pièces ou la tentative de corriger un problème avec le produit est nécessaire avant de soumettre une réclamation pour un produit de remplacement dans le cadre de cette garantie limitée. Les instructions de dépannage d'un produit ou de remplacement d'une pièce seront fournies par Avalon. Le dépannage, les réparations, le remplacement des pièces, l'installation et l'entretien approprié sont la responsabilité de l'acheteur. Les instructions pour une installation et une maintenance appropriées seront fournies dans le manuel d'utilisation.

L'installation, l'entretien ou les réparations du produit sont de la responsabilité de l'acheteur. L'acheteur se réserve le droit de faire appel à un Tiers pour l'installation, la maintenance et la réparation à ses propres risques. Avalon n'est pas responsable des frais supplémentaires encourus pour l'installation, l'entretien ou la réparation du produit, y compris, mais sans s'y limiter, le matériel supplémentaire nécessaire à l'installation ou le coût d'un tiers. Les dommages ou pannes du produit dus à une installation, un entretien ou une réparation inappropriés causés par un tiers ou par l'acheteur ne sont pas de la responsabilité d'Avalon et ne seront pas couverts par cette garantie limitée. Les instructions pour une installation et une maintenance appropriées seront fournies dans le manuel d'utilisation.

TOUTE GARANTIE, EXPRESSE OU IMPLICITE (Y COMPRIS, SANS LIMITATION, TOUTE GARANTIE IMPLICITE DE QUALITÉ MARCHANDE), DERNIÈRE UN AN À PARTIR DE LA DATE D'ACHAT ORIGINAL OU JUSQU'À CE QUE L'ACHETEUR ORIGINAL DU PRODUIT VEND OU TRANSFÈRE LE PRODUIT, SELON LA PREMIÈRE FOIS. EN AUCUN CAS, LA RESPONSABILITÉ D'AVALON AU TITRE DE TOUTE GARANTIE EXPRESSE OU IMPLICITE NE COMPREND (I) LES DOMMAGES ACCESSOIRES OU INDIRECTS PROVENANT DE QUELQUE CAUSE QUE CE SOIT, Y COMPRIS, MAIS SANS S'Y LIMITER, LES DOMMAGES ÉLECTRIQUES OU D'EAU, OU (II) LE REMPLACEMENT OU LA RÉPARATION DE TOUT CIRCUIT DE FUSIBLE À LA MAISON RECEPTACLES. NONOBTANT TOUT AU CONTRAIRE, EN AUCUN CAS, LA RESPONSABILITÉ D'AVALON AU TITRE DE TOUTE GARANTIE EXPRESSE OU IMPLICITE NE PEUT DÉPASSER LE PRIX D'ACHAT DU PRODUIT ET TOUTE RESPONSABILITÉ NE SERA TERMINÉE À L'EXPIRATION DE LA PÉRIODE DE GARANTIE.

Sauf indication contraire, Avalon ne facturera pas à l'acheteur d'origine la réparation ou le remplacement du produit de l'acheteur s'il est jugé défectueux pendant la durée de cette garantie limitée, mais tous les frais de transport associés aux réparations ou aux remplacements sont à la charge de l'acheteur. Aucune nouvelle garantie n'est fournie avec un produit de remplacement. La garantie du produit de remplacement court à compter de la date d'achat d'origine du produit d'origine. Dans le cas où une réparation est nécessaire, une telle réparation sera gratuite pour l'acheteur, à l'exception des frais de transport associés à cette réparation ou au remplacement d'un produit conformément aux termes de cette garantie limitée.

Dans le cas où une réclamation au titre de la garantie est déposée et qu'un remplacement sous garantie est jugé nécessaire, l'acheteur sera tenu de remettre le produit d'origine à Avalon au moment du remplacement.

Certains états et provinces n'autorisent pas les limitations sur la durée d'une garantie implicite ou l'exclusion ou la limitation des dommages accessoires ou consécutifs, de sorte que ces exclusions ou limitations peuvent ne pas s'appliquer à vous. Cette garantie vous confère des droits légaux spécifiques. Vous pouvez également avoir d'autres droits qui varient d'un état à l'autre et d'une province à l'autre.





