



Outdoor LoRaWAN[®] Gateway

UG67

Quick Start Guide



Safety Precautions

Milesight will not shoulder responsibility for any loss or damage resulting from not following the instructions of this operating guide.

- The device must not be modeled in any way.
- Do not place the device close to objects with naked flames.
- Do not place the device where the temperature is below/above the operating range.
- Do not power on the device or connect it to other electrical device when installing.
- Check lightning and water protection when used outdoors.
- Do not connect or power the equipment using cables that have been damaged.

Related Documents

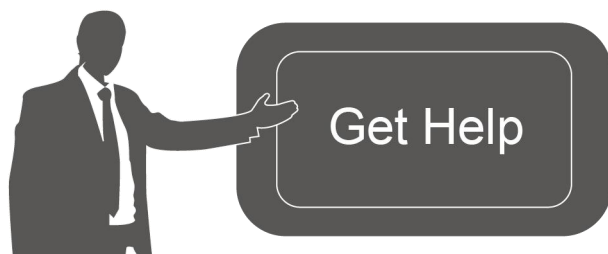
This Quick Start Guide only explains the installation of Milesight UG67 LoRaWAN® Gateway. For more functionality and advanced settings, please refer to the relevant documents as below.

Document	Description
UG67 Datasheet	Datasheet for UG67 LoRaWAN® Gateway.
UG67 User Guide	Users can refer to the guide for instruction on how to log in the web GUI, and how to configure all the settings.

The related documents are available on Milesight website: <https://www.milesight-iot.com>

Declaration of Conformity

UG67 is in conformity with the essential requirements and other relevant provisions of the CE, FCC, and RoHS.



For assistance, please contact

Milesight technical support:

Email: iot.support@milesight.com

Support Portal: support.milesight-iot.com

Tel: 86-592-5085280

Fax: 86-592-5023065

Address: Building C09, Software Park III, Xiamen
361024, China

Revision History

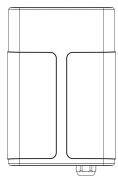
Date	Doc Version	Description
October 30, 2020	V1.0	Initial version
May 6, 2021	V1.1	Delete optional mark of LoRa antennas, add DC pinouts
July 29, 2021	V1.2	Add antenna accessories and installation method
Oct. 31, 2022	V1.3	<ol style="list-style-type: none">1. Delete Ethernet cable2. Web GUI pictures update
March 6, 2023	V1.4	<ol style="list-style-type: none">1. Add short mounting backboard installation2. Update antenna installation method, delete embedded antenna description

Contents

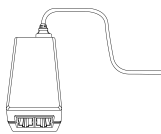
1. Packing List	5
2. Hardware Introduction	5
2.1 Overview	5
2.2 Dimensions (mm)	6
2.3 LED Indicators	6
2.4 Reset Button	7
2.5 DC Power Connector	7
3. Hardware Installation	7
3.1 SIM Card Installation (Cellular Version Only)	7
3.2 Antenna Installation	7
3.3 Ethernet Cable & Power Cable Installation	8
3.4 Power Supply	9
3.5 Gateway Installation	9
3.5.1 Wall Mounting	9
3.5.2 Pole Mounting	10
4. Login the Web GUI	11
4.1 Wireless Access	11
4.2 Wired Access	12
5. Network Connection	14
5.1 Configure the Ethernet Connection	14
5.2 Configure the Wi-Fi Connection	15
5.3 Configure the Cellular Connection (Cellular Version Only)	16
6. Packet Forwarder Configuration	18
7. Network Server Configuration	19
7.1 Connect UG67 to Milesight IoT Cloud	19
7.2 Connect UG67 to MQTT/HTTP Server	21

1. Packing List

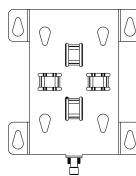
Before you begin to install the UG67 LoRaWAN® Gateway, please check the package contents to verify that you have received the items below.



1 × UG67



1 × PoE Injector



1 × Mounting Bracket



4 × Wall Mounting Kits



1 × RJ45 Cable Gland



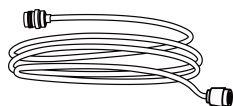
1 × SIM Dust Cover



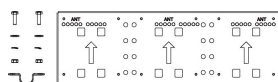
2 × LoRaWAN® Antennas
(60 cm)



1 × M12 DC Power
Cable



1 × Antenna Coaxial Cable
(1m)



1 × Short Mounting
Backboard Kit



1 × Warranty Card



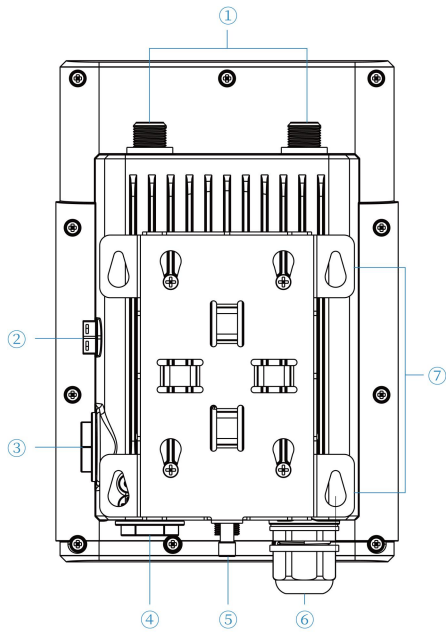
1 × Quick Start Guide



If any of the above items is missing or damaged, please contact your sales representative.

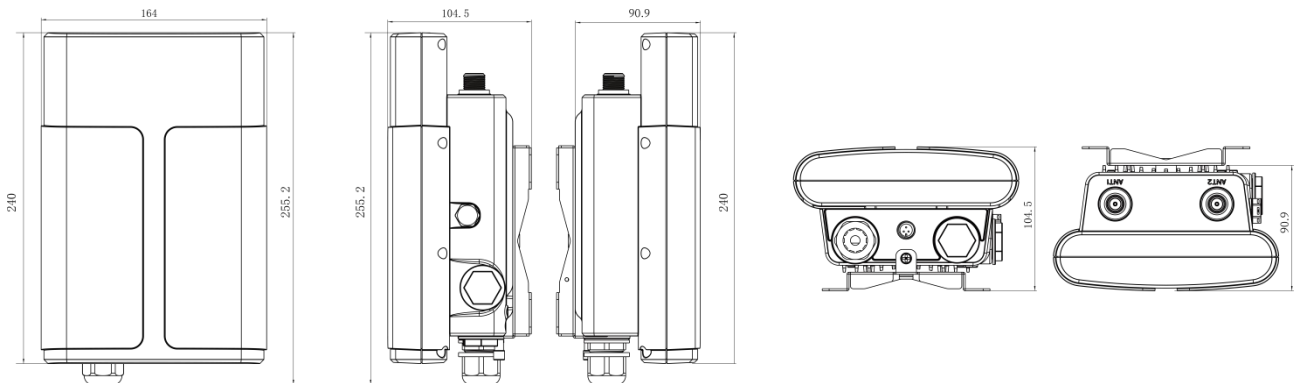
2. Hardware Introduction

2.1 Overview



- ① LoRaWAN® Antenna Connector
 - ② Vent Plug
 - ③ SIM Slot
 - ④ LED Area & Type-C Port & Reset Button
 - ⑤ DC Power Connector (Solar Connector)
 - ⑥ Ethernet Port (PoE)
 - ⑦ Mounting Bracket
- SYS: System Indicator
 LoRa: LoRa Indicator
 LTE: Cellular Indicator

2.2 Dimensions (mm)



2.3 LED Indicators

LED	Indication	Status	Description
SYS	System Status	Green Light	Static: the system is running properly
		Red Light	The system goes wrong
LoRa	Packet Forwarder Status	Off	Packet Forwarder mode is running off
		Green Light	Packet Forwarder mode is running well
LTE	Cellular Status	Off	SIM card is registering or fails to register (or there are no SIM cards inserted)
		Green Light	Blinking slowly: SIM card has been registered and is ready for dial-up
			Blinking rapidly: SIM card has been registered and is dialing up now
		Static: SIM card has been registered and dialed up successfully	

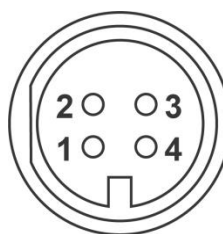
2.4 Reset Button

Function	Description	
	SYS LED	Action
Reset	Static Green	Press and hold the reset button for more than 5 seconds.
	Static Green → Rapidly Blinking	Release the button and wait.
	Off → Static Green	The gateway resets to factory default.

2.5 DC Power Connector

UG67 supports 12 VDC or solar supply via M12 connector.

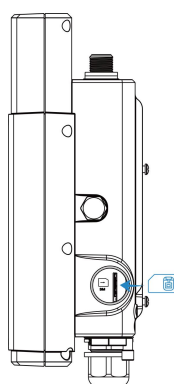
Pin	Color	Description
1	Black	GND
2	White	Reserved
3	Yellow	Reserved
4	Red	+12V



3. Hardware Installation

3.1 SIM Card Installation (Cellular Version Only)

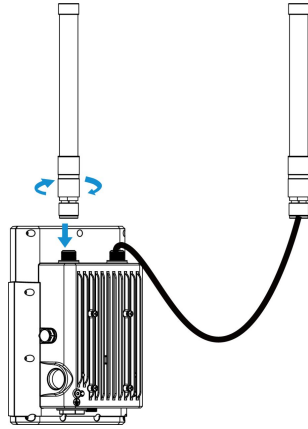
- Insert the SIM card into the device according to the direction icon on the device. If you need to take out the SIM card, press into the SIM card and it will pop up automatically.
- Tighten the SIM dust cover with wrench to prevent water into the device.



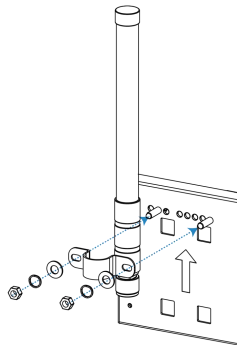
3.2 Antenna Installation

Rotate one antenna into the antenna connector directly and install another to mounting board via coaxial cable to prevent getting too close. The external antenna should be installed vertically always on a site with a good signal. It is suggested to install coaxial cable to ANT1 connector.

Note: do not install antenna to gateway directly if there is strong wind on the scene.

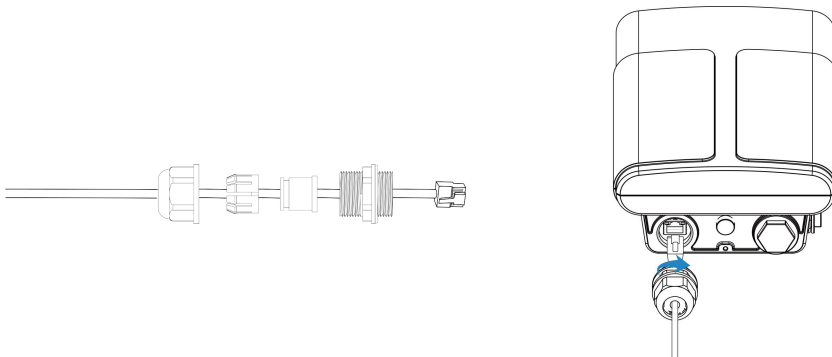


To install antenna to short mounting backboard, pass the antenna through the U-strap and fix the U-strap clamp to short mounting backboard with 2 screws at back of board and then screw flat washers, spring washers and nuts in front of the board.

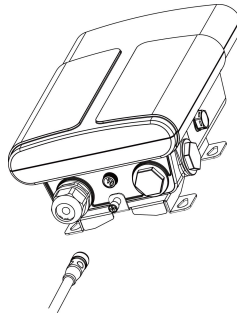


3.3 Ethernet Cable & Power Cable Installation

Pass the Ethernet cable through the cable gland and rotate the cable gland to gateway, then tighten the cable gland with wrench.

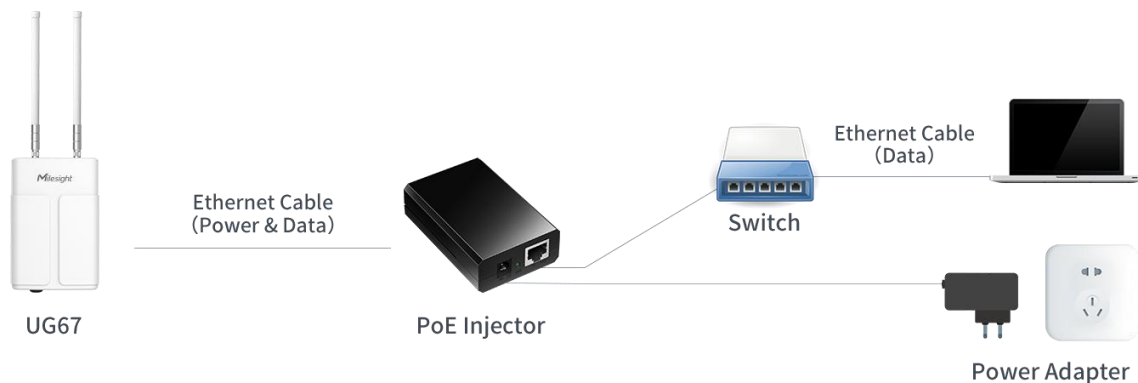


For DC or solar power supply, remove the protective cap of power connector and rotate the DC power cable into the power connector.



3.4 Power Supply

UG67 can be powered by 802.3af standard PoE or 12VDC. Please follow the picture to provide power supply via PoE injector:



3.5 Gateway Installation

UG67 can be mounted to a wall or a pole. Before you start, make sure that your SIM card has been inserted, your antennas have been attached and all cables have been installed.

Note: Do not connect device to power supply or other devices when installing.

3.5.1 Wall Mounting

Preparation: mounting bracket (with a screw), wall plugs, wall mounting screws and other required tools.

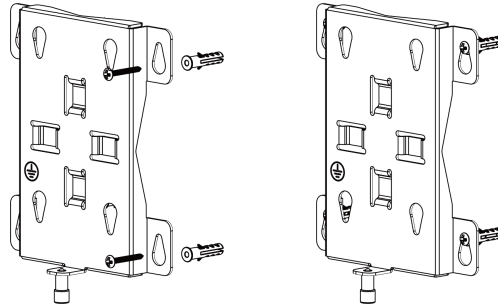
A. Align the mounting bracket horizontally to the desired position on the wall, use a marker pen to mark four mounting holes on the wall, and then remove the mounting bracket from the wall.

Note: The connecting lines of adjacent points are at right angles.

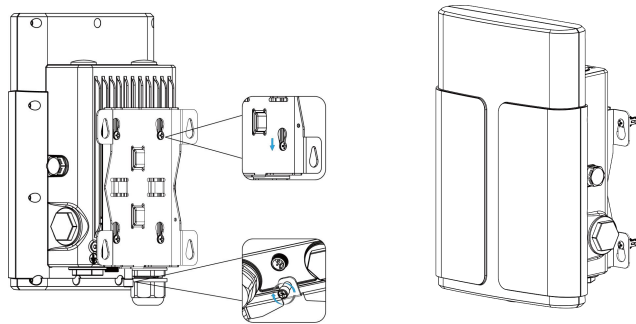
B. Drill four holes with a depth of 32 mm by using your drill with a 6 mm drill bit on the positions you marked previously on the wall.

C. Insert four wall plugs into the holes respectively.

D. Mount the mounting bracket horizontally to the wall by fixing the wall mounting screws into the wall plugs.



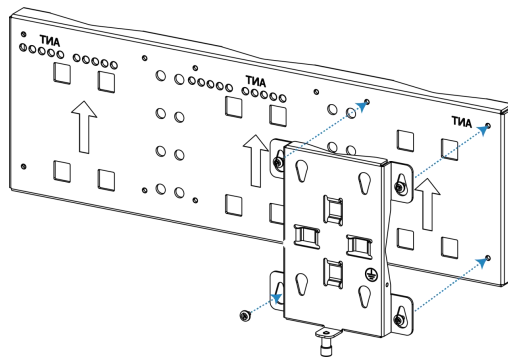
E. Hang the device to the mounting bracket via bracket mounting screws on the back of device, then screw the bracket screw to the bottom of the device.



3.5.2 Pole Mounting

Preparation: mounting bracket (with a screw), short mounting backboard kit and other required tools.

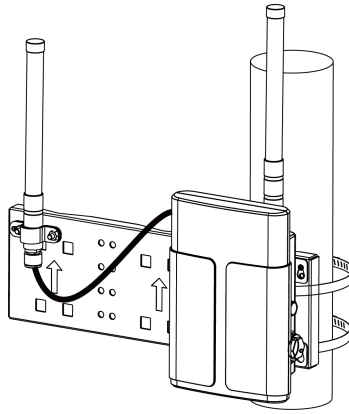
A. Fix the mounting bracket to short mounting backboard with 4 Phillips screws.



B. Hang the device to the mounting bracket via bracket mounting screws on the back of device, then screw the bracket screw to the bottom of the device.

C. Fix one antenna to another side of short mounting backboard, then connect the antenna to device with the coaxial cable.

D. Slide hose clamps through the rectangular rings in the mounting bracket and short mounting backboard and wrap them around the pole. After that use a screwdriver to tighten the locking mechanism by turning it clockwise.



4. Login the Web GUI

UG67 provides web-based configuration interface for management. If this is the first time you configure the gateway, please use the default settings below:

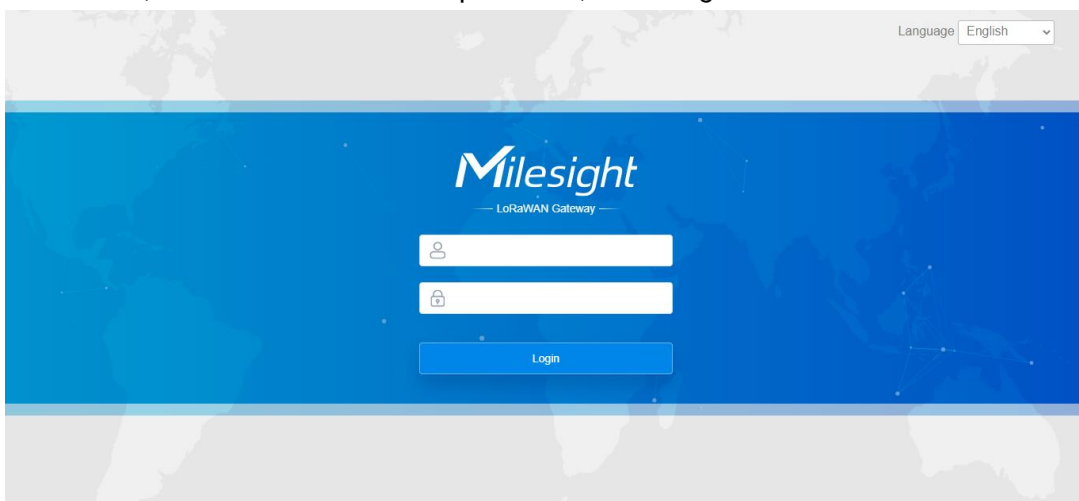
Username: **admin**

Password: **password**

4.1 Wireless Access

A. Enable Wireless Network Connection on your computer and search for access point "Gateway_*****" to connect it.

B. Open a Web browser on your PC (Chrome is recommended) and type in the IP address **192.168.1.1** to access the web GUI, enter the username and password, click "Login".



If you enter the username or password incorrectly more than 5 times, the login page will be locked for 10 minutes.

C. After logging the web GUI, you can view system information and perform configuration of the gateway. It's suggested that you change the password for the sake of security.

The screenshot shows the Milesight web interface. At the top, there is a navigation bar with the Milesight logo on the left and a user profile 'admin' on the right. Below the navigation bar is a status bar with the text 'For your device security, please change the default password'. The main content area is divided into a left sidebar and a main panel. The sidebar contains a 'Status' menu with sub-items: Packet Forwarder, Network Server, Protocol Integration, Network, System, Maintenance, and APP. The main panel is titled 'System Information' and contains a table of system details:

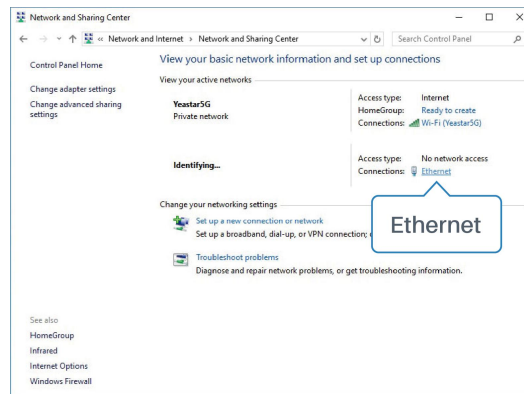
System Information	Value
Model	UG67-L00E-868M
Region	EU868
Serial Number	6222C4522590
Firmware Version	60.0.0.41-14
Hardware Version	V1.4
Local Time	2023-03-02 10:48:43 Thursday
Uptime	16:50:49
CPU Load	2%
RAM (Capacity/Available)	512MB/109MB(21.29%)
eMMC (Capacity/Available)	3.0G/2.8G(91.12%)
GPS	-

At the bottom right of the main panel, there are two buttons: 'Manual Refresh' and 'Refresh'.

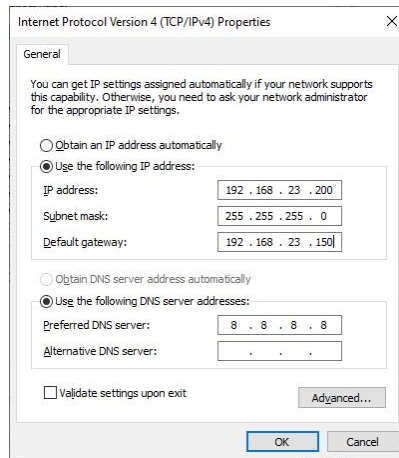
4.2 Wired Access

Connect PC to UG67 ETH port through PoE injector. The following steps are based on Windows 10 operating system for your reference.

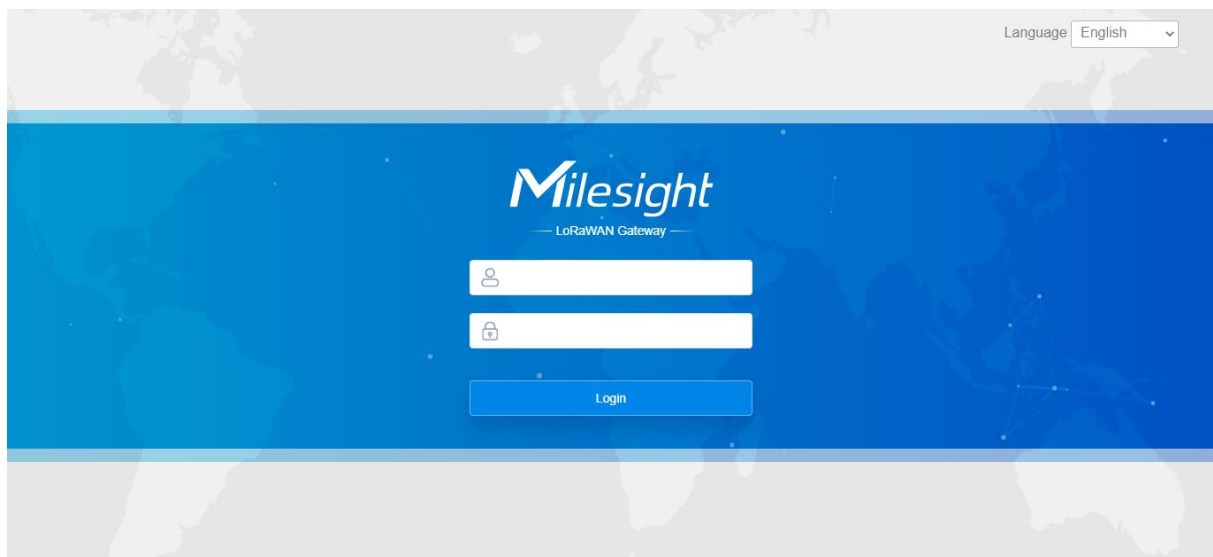
A. Go to "Control Panel" → "Network and Internet" → "Network and Sharing Center", then click "Ethernet" (May have different names).



B. Go to "Properties" → "Internet Protocol Version 4(TCP/IPv4)" and select "Use the following IP address", then assign a static IP manually within the same subnet of the gateway.



C. Open a Web browser on your PC (Chrome is recommended) and type in the IP address 192.168.23.150 to access the web GUI, enter the username and password, click “Login”.



⚠ If you enter the username or password incorrectly more than 5 times, the login page will be locked for 10 minutes.

D. After logging the web GUI, you can view system information and perform configuration of the gateway. It's suggested that you change the password for the sake of security.

The screenshot shows the Milesight web interface. At the top, there is a navigation bar with the Milesight logo on the left and a user profile 'admin' on the right. Below the navigation bar is a status bar with the text 'For your device security, please change the default password'. The main content area is divided into a left sidebar and a main panel. The sidebar contains menu items: Status, Packet Forwarder, Network Server, Protocol Integration, Network, System, Maintenance, and APP. The main panel has tabs for Overview, Cellular, Network, WLAN, VPN, and Host List. The 'Overview' tab is selected, displaying 'System Information' with the following details:

Model	UG67-L00E-868M
Region	EU868
Serial Number	6222C4522590
Firmware Version	60.0.0.41-r4
Hardware Version	V1.4
Local Time	2023-03-02 10:48:43 Thursday
Uptime	16:50:49
CPU Load	2%
RAM (Capacity/Available)	512MB/109MB(21.29%)
eMMC (Capacity/Available)	3.0G/2.8G(91.12%)
GPS	-

At the bottom right of the main panel, there are buttons for 'Manual Refresh' and 'Refresh'.

5. Network Connection

This section explains how to connect the gateway to network via WAN connection, Wi-Fi or cellular.

5.1 Configure the Ethernet Connection

A. Go to "Network" → "Interface" → "Port" page to select the connection type and configure Ethernet port information, click "Save & Apply" for changes to take effect.

The screenshot shows the 'Port_1' configuration page. The page has a light blue header with the title 'Port_1'. Below the header, there are several configuration fields:

- Port: eth 0
- Connection Type: Static IP
- IP Address: 192.168.22.112
- Netmask: 255.255.255.0
- Gateway: 192.168.22.1
- MTU: 1500
- Primary DNS Server: 8.8.8.8
- Secondary DNS Server: 114.114.114.114
- Enable NAT:

Below these fields, there is a section for 'Multiple IP Address' with a table structure:

IP Address	Netmask	Operation
		<input style="background-color: #007bff; color: white; border: none; padding: 2px 5px;" type="button" value="+"/>

B. Connect Ethernet port of gateway to devices like router or modem.

C. Log in the web GUI via the newly assigned Ethernet port IP address and check network connection.

Port	Status	Type	IP Address	Netmask	Gateway	DNS	Duration
eth 0	up	Static	192.168.22.112	255.255.255.0	192.168.22.1	8.8.8.8	1days,02h 34m 22s

5.2 Configure the Wi-Fi Connection

A. Go to “Network” → “Interface” → “WLAN” and select “Client” mode.

B. Click “Scan” to search for Wi-Fi access point. Select the available one and click “Join Network”.

Note: please do use [wired access](#) method to access the web GUI, or you will fail to configure Wi-Fi setting.

SSID	Channel	Signal	Cipher	BSSID	Security	Frequency	
AAA	Auto	-61dBm	AES	24:e1:24:f0:c4:13	WPA-PSK/WPA2-PSK	2412MHz	Join Network

C. Type the key of Wi-Fi.

Port	WLAN	Cellular	Loopback
WLAN			
Enable	<input checked="" type="checkbox"/>		
Work Mode	Client		Scan
SSID	AAA		
BSSID	24:e1:24:f0:c4:13		
Encryption Mode	WPA-PSK/WPA2-PSK		
Cipher	AES		
Key		
IP Setting			
Protocol	DHCP Client		

D. Go to “Status” → “WLAN” to check Wi-Fi status. If it shows “Connected”, it means gateway connects to Wi-Fi successfully.

Overview	Packet Forward	Cellular	Network	WLAN
WLAN Status				
Wireless Status	Enabled			
MAC Address	24:e1:24:f0:de:14			
Interface Type	Client			
SSID	AAA			
Channel	Auto			
Encryption Type	WPA-PSK/WPA2-PSK			
Cipher	AES			
Status	Connected			
IP Address	192.168.1.145			
Netmask	255.255.255.0			
Connection Duration	0 days, 02:44:45			

E. Go to "Network" → "Failover" → "WAN Failover" to switch the wlan0 as main interface, then gateway can use the Wi-Fi to access the Internet.

Main Interface	Backup Interface	Startup Delay(s)	Up Delay(s)	Down Delay(s)	Track ID	Operation
wlan0	eth 0	30	0	0	1	[X] [+]

Save

5.3 Configure the Cellular Connection (Cellular Version Only)

- Go to "Network" → "Interface" → "Cellular" → "Cellular Setting" page to enable cellular settings.
- Choose relevant network type and fill in SIM card information like APN or PIN code, click "Save" and "Apply" for changes to take effect.

Port	WLAN	Cellular	Loopback
Cellular Setting			
Enable		<input checked="" type="checkbox"/>	
Network Type		Auto ▼	
APN		<input type="text"/>	
Username		<input type="text"/>	
Password		<input type="text"/>	
Access Number		<input type="text"/>	
PIN Code		<input type="text"/>	
Authentication Type		Auto ▼	
Roaming		<input checked="" type="checkbox"/>	
SMS Center		<input type="text"/>	
Connection Setting		<input type="checkbox"/>	
Enable NAT		<input checked="" type="checkbox"/>	


D. Go to "Status" → "Cellular" page to view the status of the cellular connection. If it shows "Connected", it means the SIM has dialed up successfully. On the other hand, you can check the status of LTE indicator. If it keeps on light statically, it means SIM has dialed up successfully.

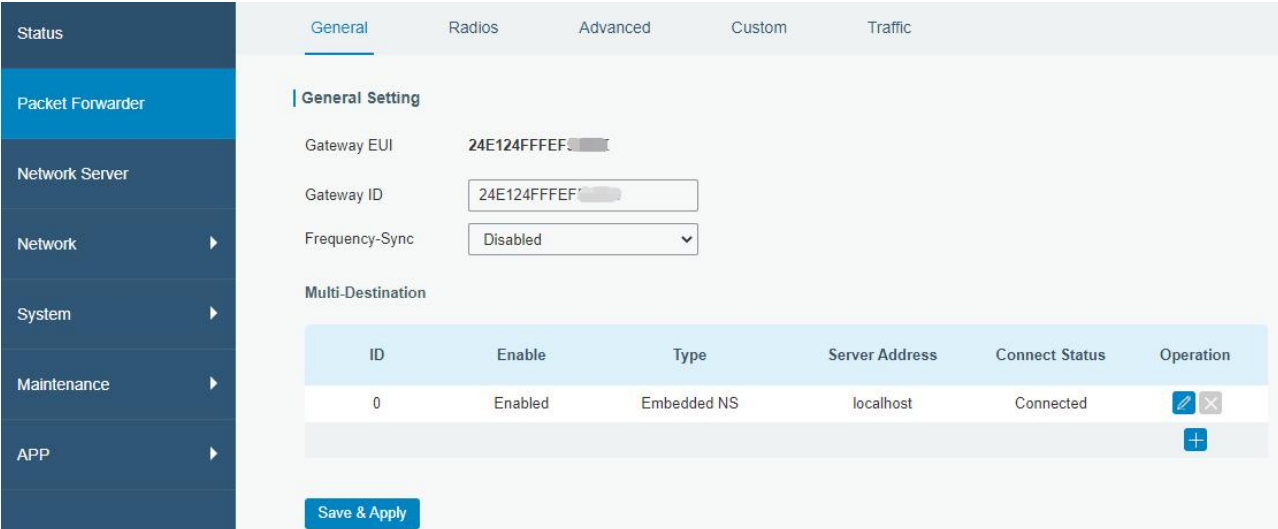
Overview	Packet Forward	Cellular	Network	WLAN
Modem				
Status		Ready		
Model		EC25		
Version		EC25ECGAR06A07M1G		
Signal Level		23asu (-67dBm)		
Register Status		Registered (Home network)		
IMEI		860425047368939		
IMSI		460019425301842		
ICCID		89860117838009934120		
ISP		CHN-UNICOM		
Network Type		LTE		
PLMN ID				
LAC		5922		
Cell ID		340db83		
Network				
Status		Connected		
IP Address		10.132.132.59		
Netmask		255.255.255.240		
Gateway		10.132.132.60		




6. Packet Forwarder Configuration

UG67 has installed multiple packet forwarders including Semtech, Chirpstack-Generic MQTT broker, etc. This section explains how to connect the gateway to network servers.

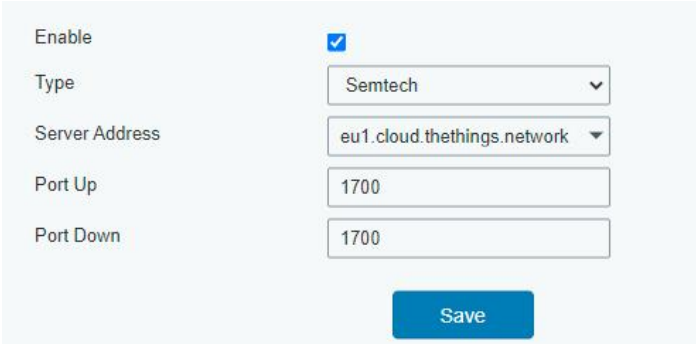
⚠ Make sure the gateway connects to the network as shown in [Section 5](#).

A. Go to “Packet Forwarder” → “General” page and click  to add a network server.



ID	Enable	Type	Server Address	Connect Status	Operation
0	Enabled	Embedded NS	localhost	Connected	 
					

B. Fill in the server information and enable this server.



Enable

Type

Server Address

Port Up

Port Down

C. Go to “Packet Forwarder” → “Radio” page to configure center frequency and channels. The channels of the gateway and network server need to be the same.

Region US915

Name	Center Frequency/MHz
Radio 0	904.3
Radio 1	905.0

Multi Channels Setting

Enable	Index	Radio	Frequency/MHz
<input checked="" type="checkbox"/>	0	Radio 0	903.9
<input checked="" type="checkbox"/>	1	Radio 0	904.1
<input checked="" type="checkbox"/>	2	Radio 0	904.3
<input checked="" type="checkbox"/>	3	Radio 0	904.5
<input checked="" type="checkbox"/>	4	Radio 1	904.7
<input checked="" type="checkbox"/>	5	Radio 1	904.9
<input checked="" type="checkbox"/>	6	Radio 1	905.1
<input checked="" type="checkbox"/>	7	Radio 1	905.3

D. Add the gateway on network server page. For more details about the network server connection please refer to [Milesight IoT Support portal](#).

7. Network Server Configuration

UG67 can work as network server and transmit data to Milesight IoT Cloud or other platform via MQTT/HTTP/HTTPS.



Make sure the gateway connects to the network as shown in [Section 5](#).

7.1 Connect UG67 to Milesight IoT Cloud

A. Go to "Packet Forwarder" → "General" page to enable the embedded network server.

Status	General	Radios	Advanced	Custom	Traffic																		
Packet Forwarder	<p>General Setting</p> <p>Gateway EUI: 24E124FFFEF...</p> <p>Gateway ID: 24E124FFFEF...</p> <p>Frequency-Sync: Disabled</p> <p>Multi-Destination</p> <table border="1"> <thead> <tr> <th>ID</th> <th>Enable</th> <th>Type</th> <th>Server Address</th> <th>Connect Status</th> <th>Operation</th> </tr> </thead> <tbody> <tr> <td>0</td> <td>Enabled</td> <td>Embedded NS</td> <td>localhost</td> <td>Connected</td> <td> </td> </tr> <tr> <td colspan="6" style="text-align: right;"></td> </tr> </tbody> </table>					ID	Enable	Type	Server Address	Connect Status	Operation	0	Enabled	Embedded NS	localhost	Connected							
ID	Enable	Type	Server Address	Connect Status	Operation																		
0	Enabled	Embedded NS	localhost	Connected																			
Network Server																							
Network																							
System																							
Maintenance																							
APP																							

B. Go to "Packet Forwarder" → "Radio" page to select center frequency and channels. The channels of the gateway and nodes need to be the same.

Region: US915

Name	Center Frequency/MHz
Radio 0	904.3
Radio 1	905.0

Multi Channels Setting

Enable	Index	Radio	Frequency/MHz
<input checked="" type="checkbox"/>	0	Radio 0	903.9
<input checked="" type="checkbox"/>	1	Radio 0	904.1
<input checked="" type="checkbox"/>	2	Radio 0	904.3
<input checked="" type="checkbox"/>	3	Radio 0	904.5
<input checked="" type="checkbox"/>	4	Radio 1	904.7
<input checked="" type="checkbox"/>	5	Radio 1	904.9
<input checked="" type="checkbox"/>	6	Radio 1	905.1
<input checked="" type="checkbox"/>	7	Radio 1	905.3

C. Go to “Network Server” → “General” page to enable the network server and “Milesight IoT Cloud” mode.

General Applications Profiles Device Multicast Groups

General Setting

Enable

Platform Mode Milesight IoT Cloud

NetID: 010203

Join Delay: 5 sec

RX1 Delay: 1 sec

Lease Time: 8760-0-0 hh-mm-ss

D. Log in the Milesight IoT Cloud. Then go to “My Devices” page and click “+New Devices” to add gateway to Milesight IoT Cloud via SN. Gateway will be added under “Gateways” menu.

Dashboard My Devices Map Triggers Reports Event Center 30 Sharing Center Me

Devices Gateways History +

Search [] Normal 1 Alarm 1 Offline 1 Inactive 3 + New Devices

Add Device

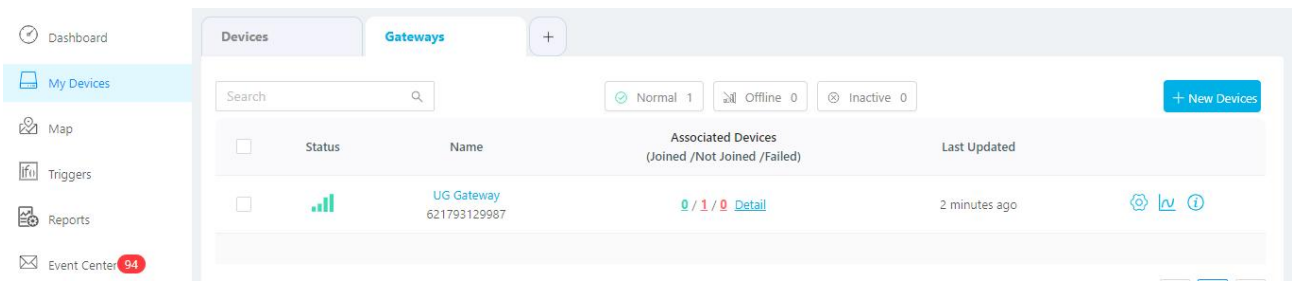
* SN: []

* Name: []

Cancel Confirm

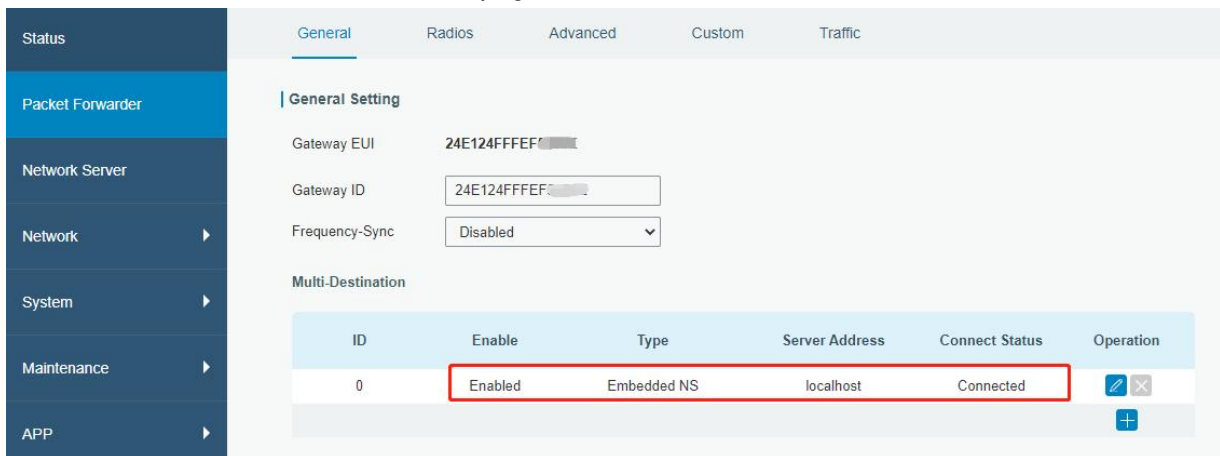
Temperature: 27°C Humidity: 51% Activity Level (PIR): 0 Illumination: 2lux

E. The gateway is online on Milesight IoT Cloud.

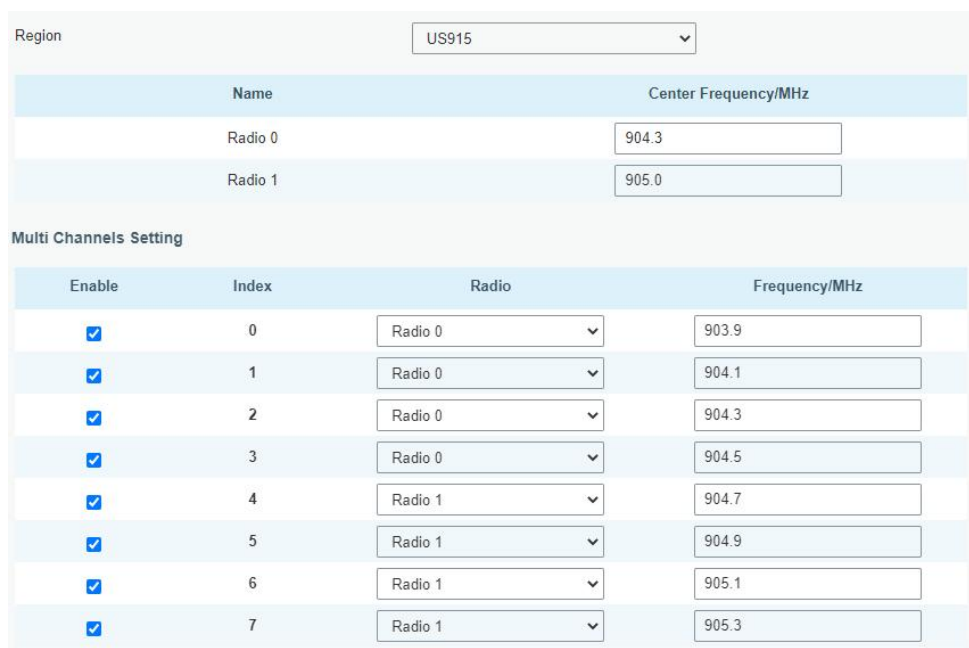


7.2 Connect UG67 to MQTT/HTTP Server

A. Go to "Packet Forwarder" → "General" page to enable the embedded network server.



B. Go to "Packet Forwarder" → "Radio" page to configure center frequency and channels. The channels of the gateway and nodes need to be the same.



C. Go to "Network Server" → "General" page to enable the network server mode.

The screenshot shows the 'Network Server' configuration page. The left sidebar has 'Network Server' selected. The main content area is titled 'General Setting' and includes the following fields:

Field	Value
Enable	<input checked="" type="checkbox"/>
Milesight IoT Cloud	<input type="checkbox"/>
NetID	010203
Join Delay	5 sec
RX1 Delay	1 sec
Lease Time	876000-0-0 hh-mm-ss
Log Level	info

D. Go to “Network Server”→“Application” to add a new application.

The screenshot shows the 'Applications' configuration page. The main content area is titled 'Applications' and includes the following fields:

Field	Value
Name	cloud
Description	cloud
Payload Codec	None

After saving the application, you can select HTTP, HTTPS or MQTT protocol and fill in correspond server information to send data to another server.

The screenshot shows the 'Data Transmission' configuration page. The main content area is titled 'Data Transmission' and includes the following fields:

Field	Value
Type	MQTT
Status	<input checked="" type="checkbox"/>
Broker Address	
Broker Port	
Client ID	
Connection Timeout/s	30
Keep Alive Interval/s	60

E. Go to “Profiles” page to add a new profile for the device.

General Applications **Profiles** Device

Device Profiles

Name

Max TXPower

Join Type

Class Type Class A Class B Class C

Advanced

F. Go to “Device” page and click “Add” to add LoRaWAN® node devices.

General Applications Profiles **Device** Multicast Groups Gateway Fleet Packets

Device

Device Name	Device EUI	Device-Profile	Application	Last Seen	Activated	Operation
No matching records found						

Device Name

Description

Device EUI

Device-Profile

Application

Frame-counter Validation

Application Key

Device Address

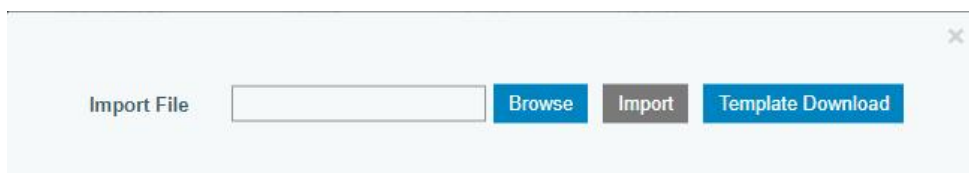
Network Session Key

Application Session Key

Uplink Frame-counter

Downlink Frame-counter

You can also click “Bulk Import” if you want to add many nodes all at once.



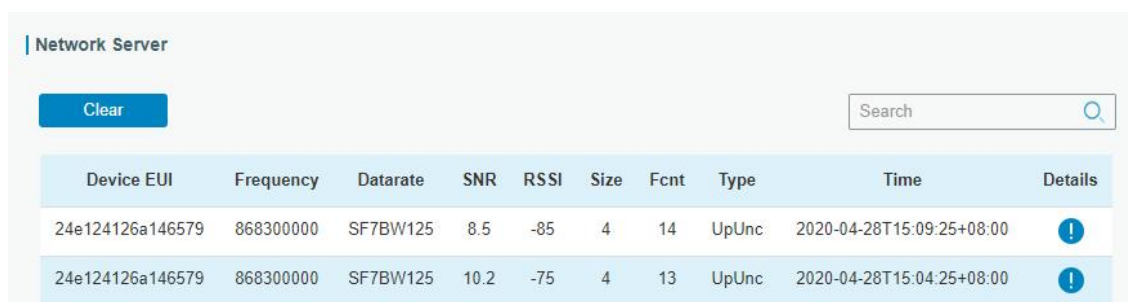
Import File

Click “Template Download” to download template file and add device information to this file. Application and device profile should be the same as you created on web page.



	A	B	C	D	E	F	G	H	I
1	name	description	deveui	application	deviceprofile	appkey	devaddr	appskey	nwkskey
2	24e1242191323266		24e1242191323266	cloud	ClassC-OTAA	112233445566778899aa112233445566			
3									
4									
5									

Import this file to add bulks of devices.

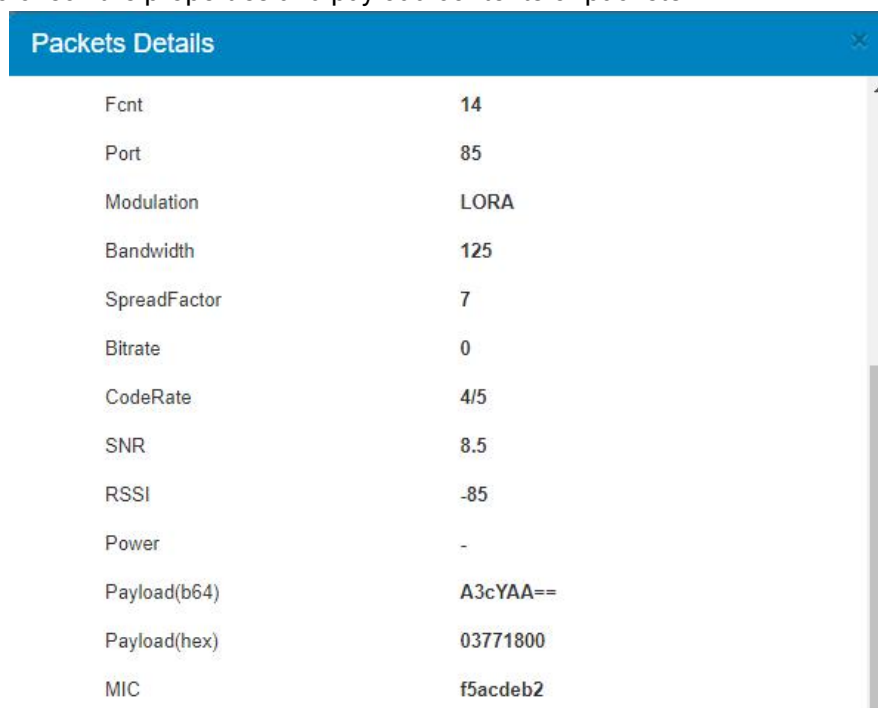
F. Go to “Packets” page to check the packets from LoRaWAN® node devices. The type starts from “Up” means uplinks and “Dn” means downlinks.



Network Server

Device EUI	Frequency	Datarate	SNR	RSSI	Size	Fcnt	Type	Time	Details
24e124126a146579	868300000	SF7BW125	8.5	-85	4	14	UpUnc	2020-04-28T15:09:25+08:00	
24e124126a146579	868300000	SF7BW125	10.2	-75	4	13	UpUnc	2020-04-28T15:04:25+08:00	

Click “Details” to check the properties and payload contents of packets.



Packets Details

Fcnt	14
Port	85
Modulation	LORA
Bandwidth	125
SpreadFactor	7
Bitrate	0
CodeRate	4/5
SNR	8.5
RSSI	-85
Power	-
Payload(b64)	A3cYAA==
Payload(hex)	03771800
MIC	f5acdeb2

[END]