

THE NEW GENERATION LORAWAN SENSORS OF SENSECAP

SenseCAP A1101

LoRaWAN Vision AI Sensor

User Guide



Table of Contents

1. Product Introduction	1
1.1 Overview	1
1.2 Features	2
2. Part List	3
3. Key Parameters of the Sensor	4
3.1 Introduction of Key Parameters	4
3.2 Get Device EUI, App EUI and Key	4
3.2.1 Get the parameters via API	4
3.2.1 Get the parameters via SenseCAP Mate App	6
4. LED of Sensor Working Status	7
5. SenseCAP Mate App	9
5.1 Download App	9
5.2 How to connect sensor to App	9
5.2.1 Create a New Account	9
5.2.2 Connect to Sensor to App	10
5.3 Configure parameters through App	12
5.3.1 Select the Platform and Frequency	12
5.3.2 Set the Interval	16
5.3.3 Set the EUI and Key	16
5.3.4 Set the Packet Policy	17
5.3.5 Set the Activation Type	17
5.3.6 Restore Factory Setting	18
5.4 Preview AI Recognition Results	19
5.4.1 Select AI Algorithms and Models	19
5.4.2 Set Score Threshold	20
5.4.3 Detect and Preview	21
5.4.4 Train Custom Models	21
6. Connect to the SenseCAP Portal	22
6.1 SenseCAP Portal	22
6.1.1 Create a New Account	22
6.1.2 Other Functions	23
6.1.3 API Instruction	23
6.2 Connect to SenseCAP with Helium Network	24
6.2.1 Quick Start	24
6.2.2 Preparation	24
6.2.3 Bind Sensor to SenseCAP Portal	25
6.2.4 Setup the Sensor	27
6.2.5 Set Frequency of Sensor via SenseCAP Mate App	28

6.2.6	Check Data on SenseCAP Portal	29
6.3	Connect to SenseCAP with private TTN	31
6.3.1	Quick Start.....	31
6.3.2	Preparation.....	31
6.3.3	Bind Sensor to SenseCAP Portal.....	32
6.3.4	Setup the Sensor.....	32
6.3.5	Set Frequency of Sensor via SenseCAP Mate App.....	32
6.3.6	Check Data on SenseCAP Portal	33
7.	Connect to Helium Network	34
7.1	Register	34
7.2	Add New Device	34
7.3	Check the data on Helium	36
7.4	Upload Data from Helium to Datacake.....	37
7.4.1	Create a Datacake Account	37
7.4.2	Add New Integration on Helium Console	38
7.4.3	Configure the Flows on Helium	39
7.4.4	Add the Sensor on Datacake	41
7.4.5	Check Data from Datacake	43
8.	Connect to The Things Network.....	46
8.1	Preparation.....	46
8.1.1	Gateway Registration on TTN.....	46
8.1.2	Create the Application	46
8.2	Add Sensor to TTN Console	47
8.3	Check Data on TTN Console	49
9.	Payload Decoder.....	50
9.1	Decoder Code	50
9.2	Packet Parsing	50
9.2.1	Packet Initialization.....	50
9.3	Data Parsing Example	51
9.3.1	Measurements List.....	51
9.3.2	Example – S2101 Air Temperature and Humidity Sensor	51
9.3.1	Example – S2102 Light Intensity Sensor	52
9.3.2	Example – S2103 CO2, Temperature and Humidity Sensor	52
9.3.3	Example – S2104 Soil Moisture and Temperature Sensor.....	53
9.3.4	Example – S2105 Soil Moisture, Temperature and EC Sensor	54
9.3.1	Example – A1101 Vision AI Sensor	55
9.4	Battery Information	56
10.	Device Installation	59
10.1	Installing Sensor.....	59
10.1.1	Installing the Sensor Bracket	59

10.1.1	Mount on Pole and Wall	60
10.2	Replace the Battery	61
10.2.1	How to Buy the Battery.....	61
10.2.2	How to Replace a New Battery	62
11.	Trouble Shooting	64
11.1	Support.....	64
11.2	Document Version.....	64



1. Product Introduction

1.1 Overview



SenseCAP A1101 LoRaWAN Vision AI Sensor combines TinyML AI technology and LoRaWAN long-range transmission to enable a low-power, high-performance AI device solution for both indoor and outdoor use.

This sensor features Himax's high-performance, low-power AI vision solution which supports the Google TensorFlow Lite framework and multiple TinyML AI platforms.

Different models can implement different AI functions, for example, people counting, object recognition, meter recognition, etc. Users can adopt models provided by native firmware, or train and generate their own models through AI training tools, or procure deployable, commercial models from third-party model providers.

With the IP66 rating, $-40 \sim +85^{\circ}\text{C}$ operating temperature, built-in 19Ah high-capacity battery and devices' low power consumption, the A1101 sensor can operate in harsh outdoor environments for up to 10 years with a range of up to 10km. The built-in Bluetooth facilitates setup and greatly reduces large-scale deployment costs. Users can focus on application development with the easy set-up and start retrieving data in a few steps. Just install the device, bind it using the QR code and configure the network,



then data can be viewed from the SenseCAP portal, which supports popular IoT protocols such as HTTP and MQTT.



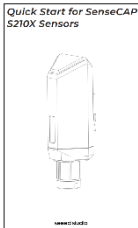

1.2 Features

- **Ultra-Low Power and Powerful Himax Camara:** 400Mhz DSP, Maximum camera frame rate 640*480*VGA 60 FPS, Local inferencing
- **Low Power and Long Range Transmission:** Down to 2.3uWh sleep mode power consumption, powered by Wio-E5 LoRaWAN Modules, transfers data up to miles
- **High Data Security by Edge Computing:** Local image inferencing and transfers the final result data to the Cloud, suitable for applications that require limited data transmission and high data privacy.
- **Easy to Visualize Data:** Few clicks to display and manage data via SenseCAP Mate App and SenseCAP Dashboard, wide compatibility with other third-party tools
- **High Industrial Protection Grade:** -40 ~ 85°C operating temperature and IP66 rating, suitable for indoor and outdoor deployment
- **Easy for Scalable Deployment:** 1min to add and configure the device by scanning the device QR code, low LoRaWAN network cost and maintenance cost ensure business scalability.



2. Part List

Before installing, please check the part list to ensure nothing is missing.

Picture	Name	Quantity
	Sensor Node	1
	Bracket	1
	Quick Start Guide	1
	KA4*20mm Self-drilling Screw	4



3. Key Parameters of the Sensor

3.1 Introduction of Key Parameters

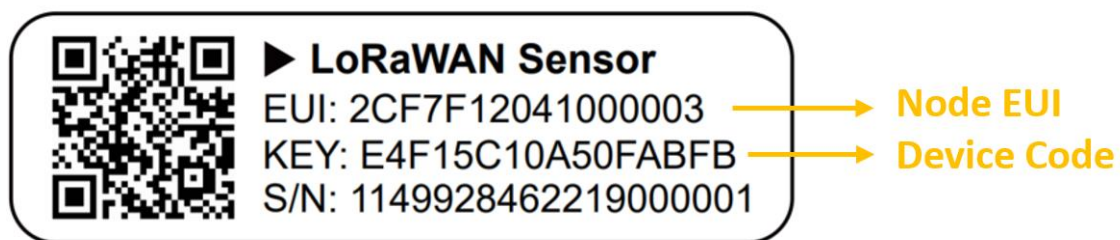
Using the LoRaWAN protocol generally involves the following parameters.

Parameters	Description
LoRaWAN MAC Version	v1.0.4
Join Type	OTAA (Default) ABP (It can be modified through App)
Device EUI	Unique identification of device, one of the join network parameters (OTAA mode).
Device Code (KEY)	On the device label, for device binding and API call.
App EUI	Unique identification of application, one of the join network parameters (OTAA mode).
App Key	Application key, one of the join network parameters (OTAA mode).
DevAddr	This parameter is available only in ABP mode, one of the join network parameters.
NwkSKey	This parameter is available only in ABP mode, one of the join network parameters.
AppSKey	This parameter is available only in ABP mode, one of the join network parameters.

3.2 Get Device EUI, App EUI and Key

3.2.1 Get the parameters via API

(1) Device EUI and Device Code is on the SenseCAP product label.



Note:



The “Key” on the label is Device Code, which is not the App Key!

- (2) SenseCAP Node’s App EUI and App Key have been flashed into the device by Seeed. Use HTTP API to get App EUI and App Key. You can use a browser (Google Chrome) to launch an HTTP GET request.

Curl:

```
https://sensecap.seeed.cc/makerapi/device/view_device_info?nodeEui=2CF7F12014700297&deviceCode=34BF25920A4EFBF4
```

In the API, replace the Device EUI and device Code with your own Device EUI and Device Code respectively. And you will get the following response:

dev_eui	Device EUI	2CF7F12014700297
app_eui	App EUI	8000000000000006
app_key	App Key	6FD0EF47CBC6E00F1921A08C2E94E8E5

```
{
  "code": "0",
  "data": {
    "nodeEui": "2CF7F12014700297",
    "deviceCode": "34BF25920A4EFBF4",
    "lorawanInformation": {
      "dev_eui": "2CF7F12014700297",
      "app_eui": "8000000000000006",
      "app_key": "6FD0EF47CBC6E00F1921A08C2E94E8E5"
    }
  },
  "time": 0.019
}
```

⚠️ Note1:

The SenseCAP LoRaWAN Sensor can modify to EUI, Key, and Frequency. Please refer to the following sections.

⚠️ Note2:

When connecting to SenseCAP, use the default EUI, App EUI and App Key. When using another LoRa network server, the EUI will not change, and the App EUI and App Key will be randomly generated according to the rules.

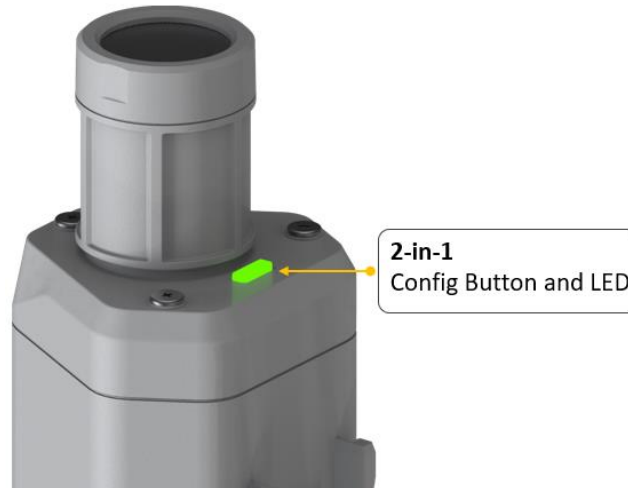


3.2.1 Get the parameters via SenseCAP Mate App

Please refer to the [section 5](#).



4. LED of Sensor Working Status



You can refer to the LED indicator for the Sensor Node for its working status. Please see the status explanations in the chart below:

Actions	Description	Green LED Status
First power up, press and hold for 9s	Power on and activate the Bluetooth	LED flashes at 1s frequency, waiting for Bluetooth connection. If Bluetooth not connected within 1 minute, the machine will shut down again.
Press once	Reboot device and join LoRa network	<ol style="list-style-type: none">1. The LED will be on for 15 seconds for initialization2. Waiting for join LoRa network: breathing light flashing3. Join LoRa network success: LED flashes fast for 2s4. LoRa network join failure: LED suddenly stop.



Press and hold for 3s	Activate Bluetooth again	<ol style="list-style-type: none">1. Waiting for Bluetooth connection: LED flashes at 1s frequency2. Enter configuration mode after Bluetooth connection is successful: LED flashes at 2s frequency <p>If Bluetooth is not connected within 1 minute, the device will reboot and join LoRa network.</p>
Press and hold for 9s	Power off	<p>In the 3rd seconds will start flashing at 1s frequency, until the light is steady on, release the button, the light will go out .</p>

 **Note:**

After power off, you need to reconfigure the frequency band.

Power off is recommended when not deployed.



5. SenseCAP Mate App

5.1 Download App

As a tool, SenseCAP Mate App is used to configure LoRa parameters, set interval, bind devices to your account and check device basic information.

 **Note:**

SenseCAP Mate App functions are being iterated in stages:

Stage1: Equipment configuration, firmware update. (Done)

Stage2: Bind the device to SenseCAP Portal and manage the device. (Done)

Stage3: Data visualization and scene monitoring. (Developing)

(1) For iOS, please search for “SenseCAP Mate” in the App Store and download it.

(2) For Android, please search for “SenseCAP Mate” in the Google Store and download it.

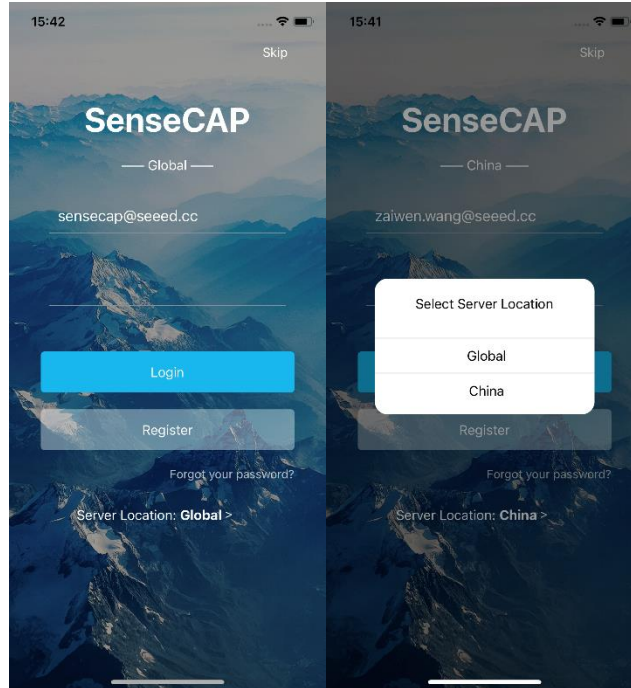
You can also download App from <https://www.pgyer.com/sensecapmate> or https://install.appcenter.ms/orgs/seeed/apps/sensecap-mate/distribution_groups/public

5.2 How to connect sensor to App

5.2.1 Create a New Account

SenseCAP Mate supports device configuration and remote management. To use the SenseCAP Portal platform and other functions, please register an account. If only the device configuration function is used, click “Skip”.

Please select **Global** of Server Location.



You can also set up an account through the website.

Portal Website: <http://sensecap.seeed.cc>

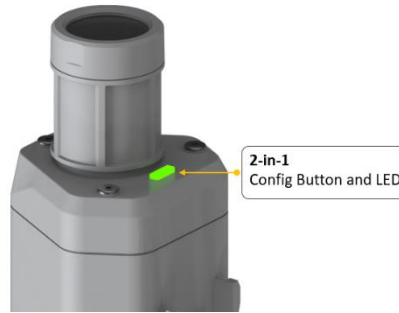
- 1) Select register account, enter email information and click "register", the registered email will be sent to the user's mailbox.
- 2) Open the "SenseCAP...Email, click the jump link, fill in the relevant information, and complete the registration.
- 3) Return to the login interface and complete the login.

 **Note:**

If you can't find the email, it may be automatically identified as "spam" and put in the "trash can".

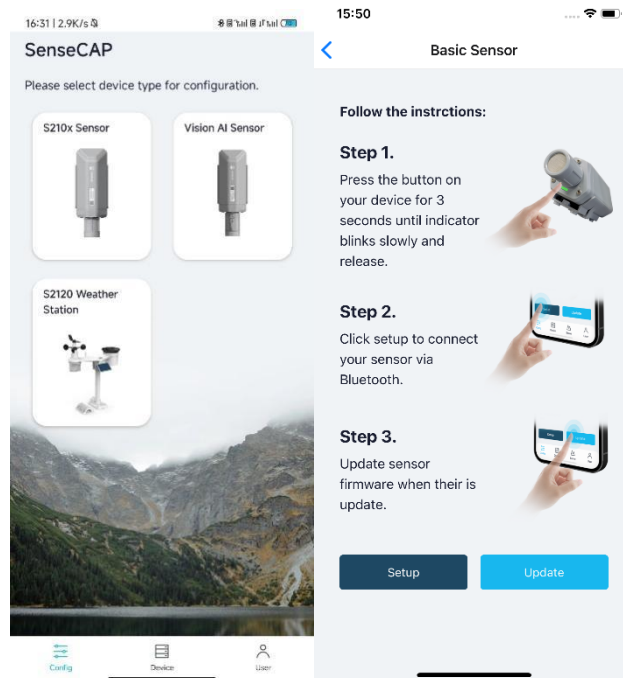
5.2.2 Connect to Sensor to App

- 1) Press button and hold for **3 seconds**, the LED will flash at 1s frequency. Please use the App to connect the sensor within 1 minute; otherwise, the device will power off or re.

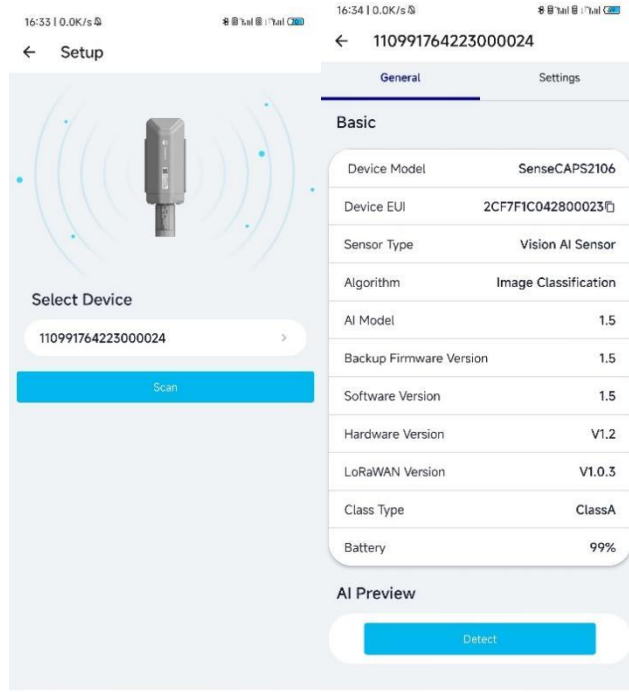


2) Please select "Vision AI Sensor".

Please click the "Setup" button to turn on Bluetooth and click "Scan" to start scanning the sensor's Bluetooth.



3) Select the Sensor by S/N (S/N is on the front label of the sensor). Then, the basic information of the sensor will be displayed after entering.

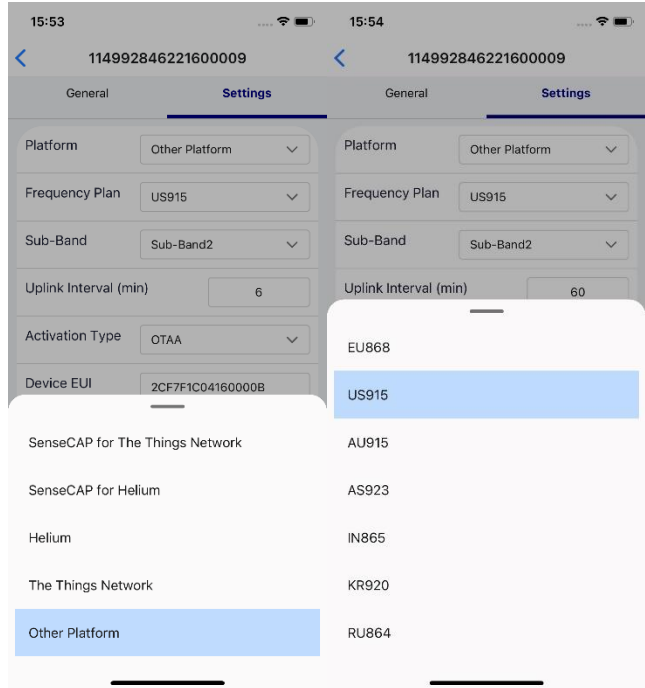


- 4) Enter configuration mode after Bluetooth connection is successful: LED flashes at 2s frequency.

5.3 Configure parameters through App

5.3.1 Select the Platform and Frequency

A1101 Sensors are manufactured to support universal frequency plan from 863MHz ~928MHz in one SKU. That is to say, every single device can support 7 frequency plans.



Platform	Description
SenseCAP for The Things Network	It must be used with SenseCAP Outdoor Gateway (https://www.seeedstudio.com/LoRaWAN-Gateway-EU868-p-4305.html). SenseCAP builds a proprietary TTN server that enables sensors to be used out of the box when paired with an SenseCAP outdoor gateway.
SenseCAP for Helium	Default platform. When there is the Helium network around the user, data can be uploaded using sensors. Devices run on a private Helium console of SenseCAP. Users do not need to create devices on Helium console, right out of the box.
Helium	Connect Sensor to public Helium console.
The Things Network	Connect Sensor to your TTN(TTS) server.
Other Platform	Other LoRaWAN Network Server.

1) SenseCAP for Helium:

We provide the SenseCAP Portal to manage devices and data: sensecap.seeed.cc

We built a private Helium Console with an embedded SenseCAP Portal. When users get the SenseCAP sensors, you can use it by scanning the code and binding it to the Portal.



“SenseCAP for Helium” is selected by default. The device runs in a fixed main frequency and sub-band, refer to Helium Frequency Plan (<https://docs.helium.com/lorawan-on-helium/frequency-plans/>). You only need to select the main frequency, such as EU868 and US915.

SenseCAP for Helium supports the following frequency plan:

EU868 / US915 / AU915 / KR920 / IN865 / AS923-1 / AS923-2 / AS923-3 / AS923-4

2) SenseCAP for The Things Network

SenseCAP Portal also builds the TTN private server, and the sensor must be used together with the SenseCAP Outdoor Gateway (<https://www.seeedstudio.com/LoRaWAN-Gateway-EU868-p-4305.html>) or SenseCAP Multi-Platform LoRaWAN Indoor Gateway (<https://www.seeedstudio.com/SenseCAP-Multi-Platform-LoRaWAN-Indoor-Gateway-SX1302-EU868-p-5471.html>).

SenseCAP Multi-Platform LoRaWAN Indoor Gateway supports the following frequency plans:

IN865 / EU868 / RU864 / US915 / AU915 / KR920 / AS923.

3) Helium

Users can choose sensors to use on the public helium console:

<https://console.helium.com/>

4) The Things Network

Users can choose sensors to use on the public The Things Network server:

<https://console.cloud.thethings.network/>

5) Other Platform:

When you use other LoRaWAN network server, please select Other Platform.



At this point, you need to determine the sensor frequency band according to the gateway frequency and sub-band.

A1101 Sensors support the following frequency plan:

Sensor Frequency	Common Name	Sub-band
EU863-870	EU868	-----
US902-928	US915	Sub band from 1 to 8 (default sub-band 2)
AU915-928	AU915	Sub band from 1 to 8 (default sub-band 2)
KR920-923	KR920	-----
IN865-867	IN865	-----
AS923	AS923-TTN	Frequency plan for TTN
	AS923-1	Frequency plan for Helium
	AS923-2	
	AS923-3	
	AS923-4	
RU864-867	RU864	-----

⚠️ Note1:

*Different countries and LoRaWAN network servers use different frequency plans.
For Helium network, please refer to:*

<https://docs.helium.com/lorawan-on-helium/frequency-plans>

For The Things Network, please refer to:

<https://www.thethingsnetwork.org/docs/lorawan/frequency-plans/>

⚠️ Note2:

- 1) *When using the SenseCAP platform, the EUI, APP EUI and APP Key are fixed and are the same as the sensor label.*



- 2) When the sensor is selected to be used with a public platform such as Helium or TTN, the EUI will not change, and the sensor **will generate a new fixed App EUI and App Key** for network access.

5.3.2 Set the Interval

The working mode of device: wake up the device every interval and collect measurement values and upload them through LoRa. For example, the device collects and uploads data **every 60 minutes by default**.

Parameter	Type
Uplink Interval	Unit: minutes, number from 1 to 1440.

Uplink Interval (min)	<input type="text" value="60"/>
-----------------------	---------------------------------

5.3.3 Set the EUI and Key

The device uses OTAA to join the LoRaWAN network by default. So, it can set the device EUI and App EUI.

Parameter	Type
Device EUI	16 bits, hexadecimal from 0 ~ F
App EUI	16 bits, hexadecimal from 0 ~ F
App Key	32 bits, hexadecimal from 0 ~ F

Device EUI	<input type="text" value="2CF7F1C04160000B"/>
APP EUI	<input type="text" value="577D1C6ECDCC3B8D"/>
APP Key	<input type="text" value="466F991B963100CC478..."/>



5.3.4 Set the Packet Policy

The sensor uplink packet strategy has three modes.

Parameter	Description
2C+1N (default)	2C+1N (2 confirm packets and 1 none-confirm) is the best strategy, the mode can minimize the packet loss rate, however the device will consume the most data packet in TTN, or date credits in Helium network.
1C	1C (1 confirm) the device will sleep after get 1 received confirm packet from server.
1N	1N (1 none-confirm) the device only send packet and then start to sleep, no matter the server received the data or not.

5.3.5 Set the Activation Type

The sensor supports two network access modes, OTAA by default.

Parameter	Description
OTAA (default)	Over The Air Activation, it joins the network through Device EUI, App EUI, and App Key.
ABP	Activation By Personalization, it joins the network through DevAddr, NwkSkey, and AppSkey.

When using ABP mode, you need to configure the following information:

Parameter	Description
DevAddr	32 bits, hexadecimal from 0 ~ F



NwkSkey	32 bits, hexadecimal from 0 ~ F
AppSkey	8 bits, hexadecimal from 0 ~ F

Activation Type

Nwk Skey

ⓘ Only hexadecimal numbers of 0-F with a maximum of 32 digits are allowed to be filled in.

APP Skey

ⓘ Only hexadecimal numbers of 0-F with a maximum of 32 digits are allowed to be filled in.

Dev Addr

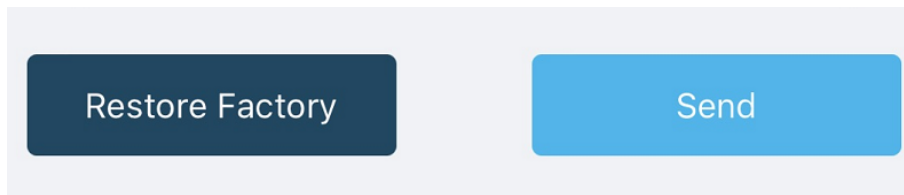
ⓘ Only hexadecimal numbers of 0-F with a maximum of 8 digits are allowed to be filled in.

⚠ Note:

The factory defaults to a fixed value.

5.3.6 Restore Factory Setting

When selecting the SenseCAP platform, you must use the fixed EUI/App EUI/App Key. Therefore, you need to restore the factory Settings before switching back to the SenseCAP platform from other platforms.



When we make a mistake or want to reset everything, we can click the button. The device will be restored to the factory's default configuration.



5.4 Preview AI Recognition Results

5.4.1 Select AI Algorithms and Models

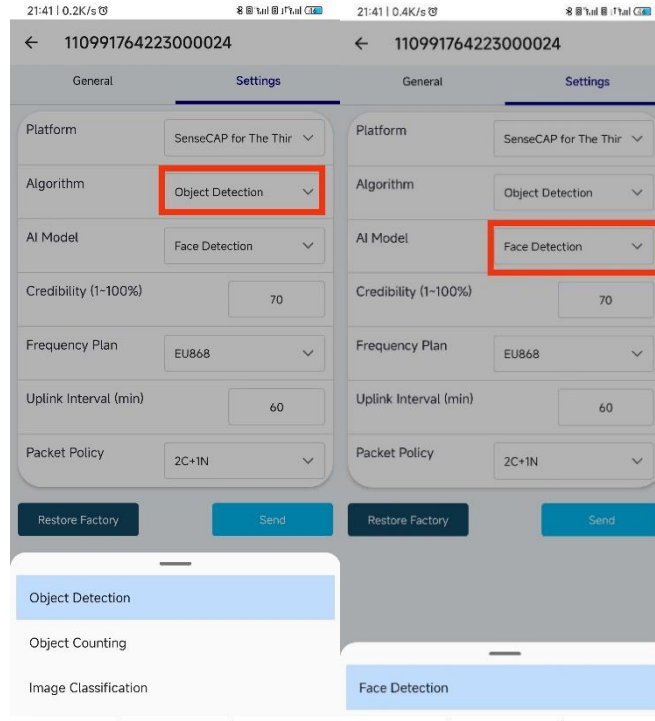
There are several built-in AI models for A1101, and users can select models according to their needs. Currently, the following algorithms and models are available:

Algorithm	AI Model
Object Detection	Human Body Detection
	User-defined
Object Counting	People Counting
	User-defined
Image Classification	Person&Panda Recognition
	User-defined

Model selection and configuration is also done in the Setting interface.

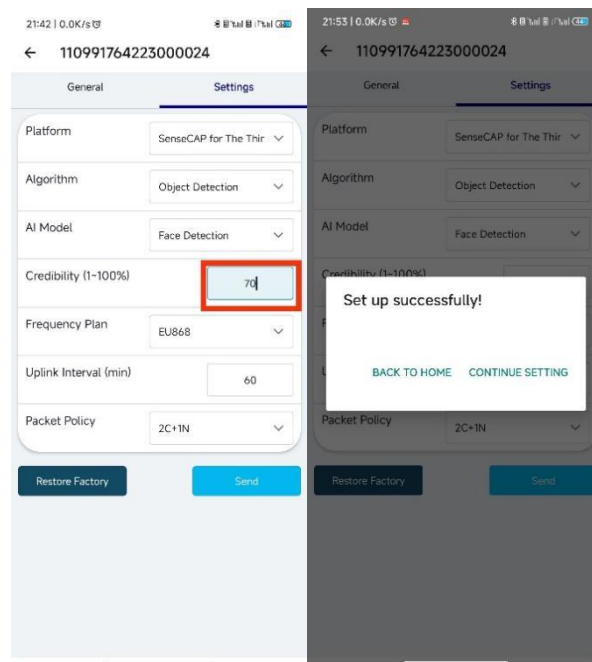
First select the Algorithm, different algorithms achieve different functions and show different results in the APP preview. Clicking on the drop-down triangle behind the algorithm will bring up the selection box.

Then select the AI model, click on the model, the selection box pops up, select the model.



5.4.2 Set Score Threshold

The **scores** represent the reliability of the AI model predictions. The higher the score, the more likely the identified object is the target object. Users can choose to upload more reliable results or more flexible results to the App and cloud by setting the **Score Threshold**. The Score Threshold ranges from 1 to 100, and only the results with a score greater than the Score Threshold will be uploaded to the APP and the cloud.





After completing the above configuration and selection, click "Send" to send the configuration information to the device. If the configuration is successful, it will prompt "Set up successfully".

5.4.3 Detect and Preview

Click the "General" button, then click "Detect". Pointing the lens at the target object, adjust the angle and distance appropriately, and the recognition result will be displayed at the bottom of the screen.



5.4.4 Train Custom Models

SenseCAP A1101 supports user-defined AI models, for more details please check the link below:

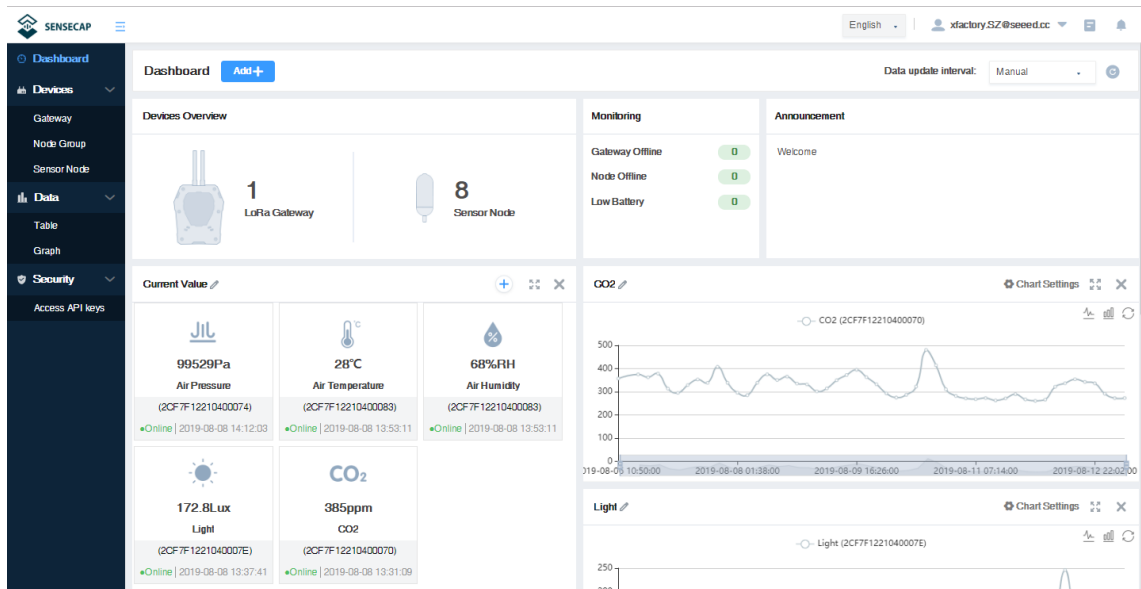
<https://wiki.seeedstudio.com/Train-Deploy-AI-Model-SenseCAP-A1101>



6. Connect to the SenseCAP Portal

6.1 SenseCAP Portal

The main function of the SenseCAP Portal is to manage SenseCAP devices and to store data. It is built on Azure, a secure and reliable cloud service from Microsoft. You can apply for an account and bind all devices to this account. SenseCAP provides the web portal and API. The web portal includes Dashboard, Device Management, Data Management, and Access Key Management, while API is open to users for further development.



6.1.1 Create a New Account

Portal Website: <http://sensecap.seeed.cc>

- 4) Select register account, enter email information and click "register", the registered email will be sent to the user's mailbox.
- 5) Open the "SenseCAP..."Email, click the jump link, fill in the relevant information, and complete the registration.
- 6) Return to the login interface and complete the login.

⚠️ Note:

If you can't find the email, it may be automatically identified as "spam" and put in the "trash can".



6.1.2 Other Functions

- **Dashboard:** Including Device Overview, Announcement, Scene Data, and Data Chart, etc.
- **Device Management:** Manage SenseCAP devices.
- **Data Management:** Manage data, including Data Table and Graph section, providing methods to search for data.
- **Subaccount System:** Register subaccounts with different permissions.
- **Access Key Management:** Manage Access Key (to access API service), including Key Create, Key Update, and Key Check.

 **Note:**

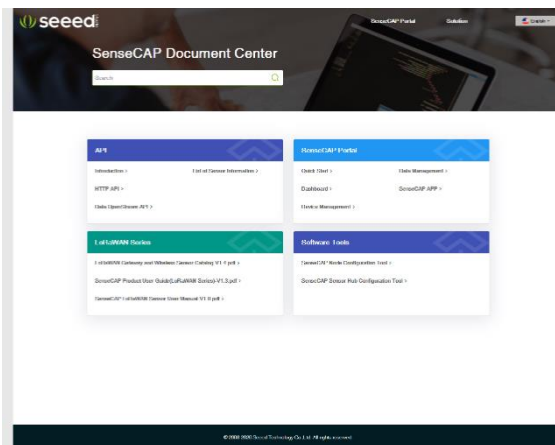
SenseCAP Portal User Guide: <https://sensecap-docs.seeed.cc/quickstart.html>

6.1.3 API Instruction

SenseCAP API is for users to manage IoT devices and data. It combines 3 types of API methods: HTTP protocol, MQTT protocol, and Websocket protocol.

- With HTTP API, users can manage LoRa devices, to get raw data or historical data.
- With MQTT API, users can subscribe to the sensor's real-time measurement data through the MQTT protocol.
- With Websocket API, users can get real-time measurement data of sensors through Websocket protocol.

Please refer to this link for API User Guide: <https://sensecap-docs.seeed.cc/>

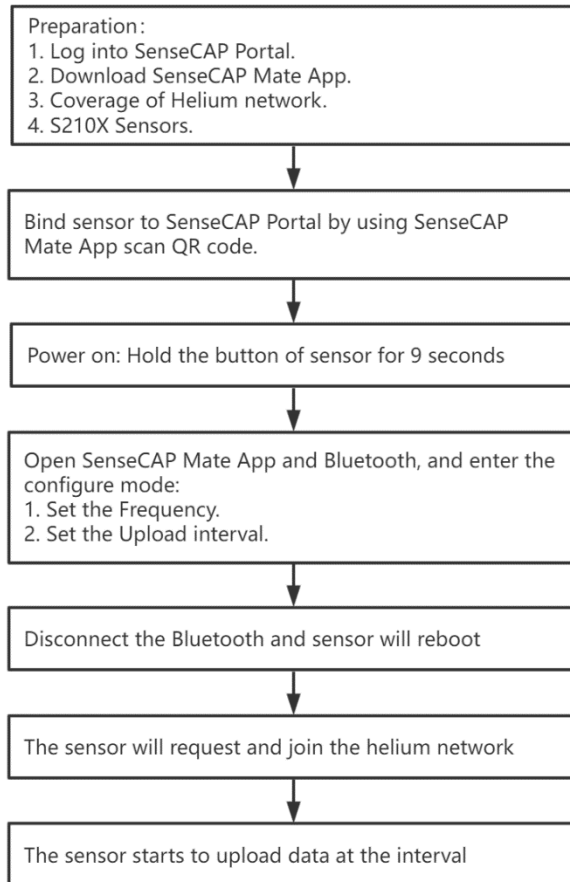




6.2 Connect to SenseCAP with Helium Network

6.2.1 Quick Start

Follow this process to quickly use the sensor, see the following section for details.



6.2.2 Preparation

1) SenseCAP Mate App

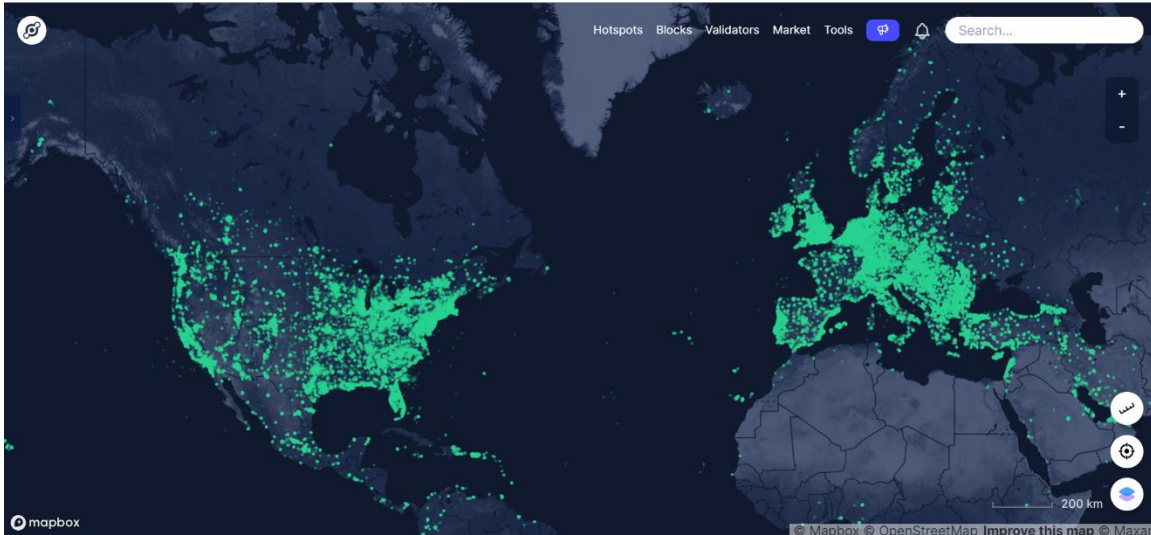
Download the App, please refer to [section 5](#) for using.

2) Coverage of Helium network

Option 1: Use the Helium network that already exists nearby.

Please refer to the map, search your location to see if there's any helium network around: <https://explorer.helium.com/>

A green hexagon indicates the presence of the network.



Option 2: Deploy a new Helium gateway.

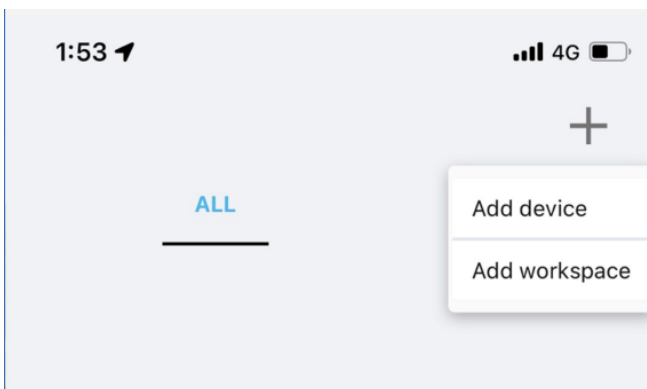
You can purchase M1, M2 gateways to cover your surroundings with the Helium network: <https://www.sensecapmx.com/>

6.2.3 Bind Sensor to SenseCAP Portal

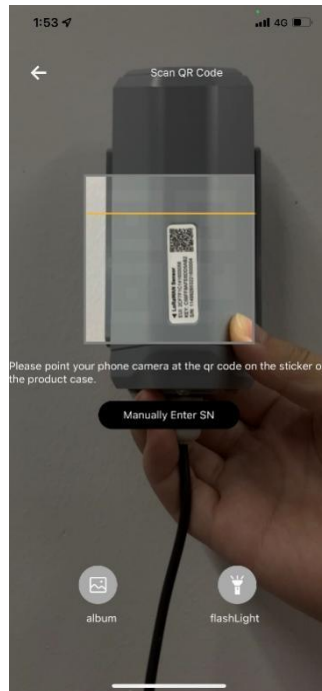
Please open SenseCAP Mate App.

(1) Scan QR Code

1) Click “Add device” on the upper-right corner of device page to enter the device binding page.

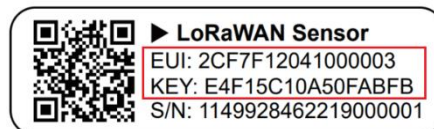


2) Scan the QR code on the device to bind the device to your account. If you do not set it to a designated group, the device will be put into the “default” group.



(2) Manually fill in the EUI

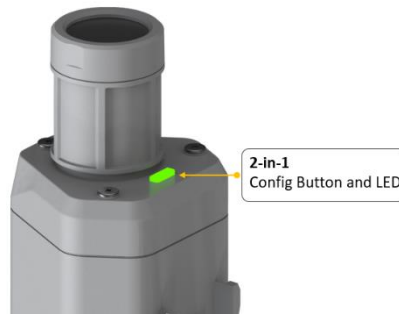
If the QR code sticker is damaged, you can manually fill in the EUI of the device to bind the device to your account. Please make sure you put in the EUI in the format suggested by the system and then click “confirm”.



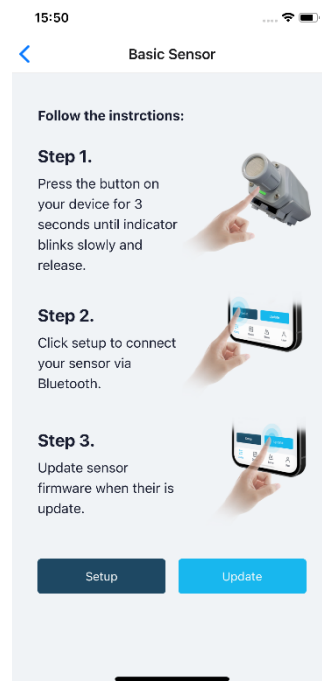


6.2.4 Setup the Sensor

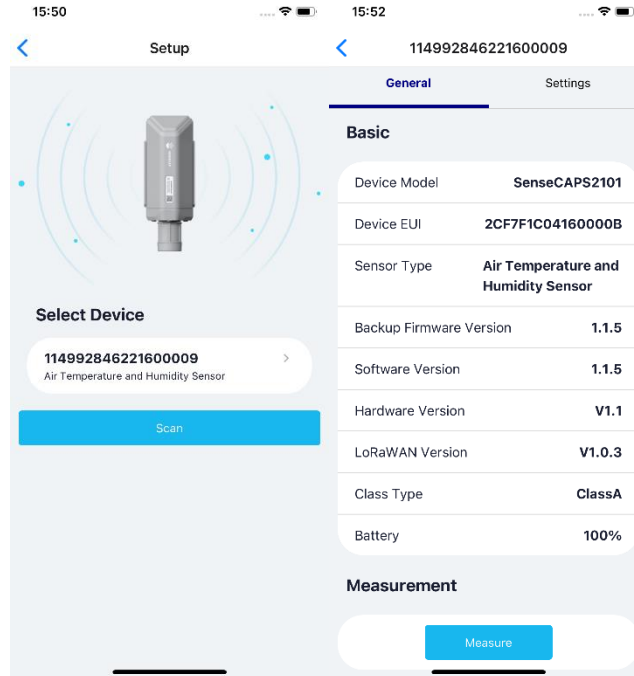
- 1) Open the SenseCAP Mate App
- 2) Press button and hold for 9 seconds, the LED will flash at 1s frequency.



- 3) Please click the “Setup” button to turn on Bluetooth and click “Scan” to start scanning the sensor's Bluetooth.



- 4) Select the Sensor by S/N (label). Then, the basic information of the sensor will be displayed after entering.

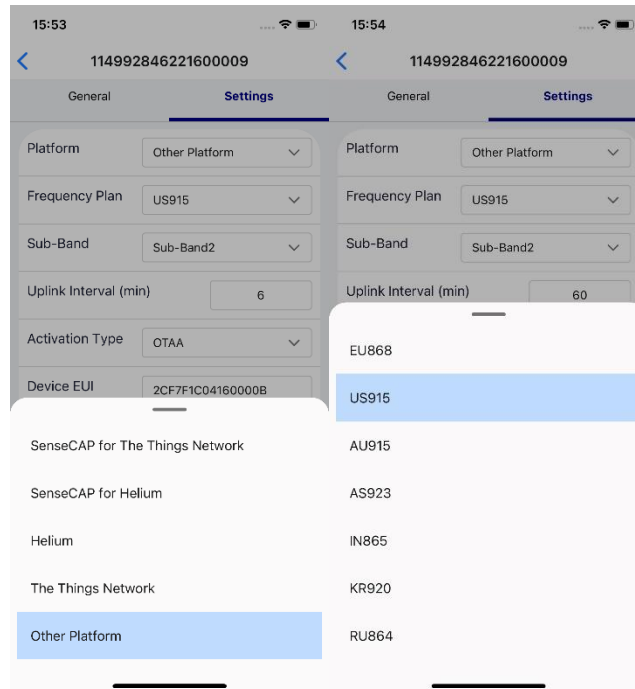


6.2.5 Set Frequency of Sensor via SenseCAP Mate App

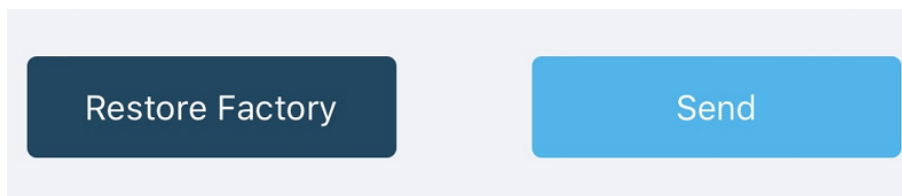
Set the corresponding frequency band based on the frequency band of the gateway.

Please refer to [section 5](#) for detail.

- 1) Click the "Setting" and select the platform is "SenseCAP for Helium".



- 2) Select the Frequency Plan, if the gateway is US915, set the sensor to US915.
- 3) Click the “Send” button, send the setting to the sensor for it to take effect.



- 4) Click the “Home” button, the App will disconnect the Bluetooth connection.
Then, the sensor will reboot.
- 5) When the device is disconnected from Bluetooth, the LED lights up for **15 seconds** and then flashes as a **breathing light**.
- 6) After joining the network successfully, LED **flashes fast for 2s**.

6.2.6 Check Data on SenseCAP Portal

On the SenseCAP App or the website <http://sensecap.seeed.cc/> , you can check the device online status and the latest data. In the list for each Sensor, you can check its online status and the time of its last data upload.



SENSECAP

English | xfactory.SZ@seed.cc

Dashboard

Devices

- Gateway
- Node Group
- Sensor Node

Data

- Table
- Graph

Security

- Access API keys

Devices / Sensor Node

All | LoRa | NB-IoT

EUI: Device EUI | Frequency(MHz): Frequency

Device Group: Device Group | Online Status: Online Status

Registration Time: From | To | 1Day | 7Days | 30Days

Search | Clear | The number of search results: 4

NO.	EUI	Device Name	Sensor Count	Device Group	Online Status	Operation	Last Message Time
1	2CF7E12210400070	CO2 Sensor	1	station-1	Online	Move	2019-11-15 10:28:16
2	2CF7E12210400074	Barometric Pressure Sensor	1	station-1	Online	Move	2019-11-15 10:09:27
3	2CF7E1221040007E	Light Intensity Sensor	1	station-1	Online	Move	2019-11-15 09:43:47
4	2CF7E12210400063	Air Temperature and Humidity Sensor	1	station-1	Online	Move	2019-11-15 10:02:47

15:50

ALL

14 Device

LoRaWAN Node
2CF7F1C14160006B
Offline | S210X Sens...
100%

LoRaWAN Node
2CF7F1C141600062
Offline | S210X Sens...
99%

LoRaWAN Node
2CF7F1C141600059
Offline | S210X Sens...
100%

LoRaWAN Node
2CF7F1C141600053
Online | S210X Sensor
100%

LoRaWAN Node
2CF7F1C141600050
Offline |
100%

SensorHub Node
2CF7F16932200001
Online |
100%

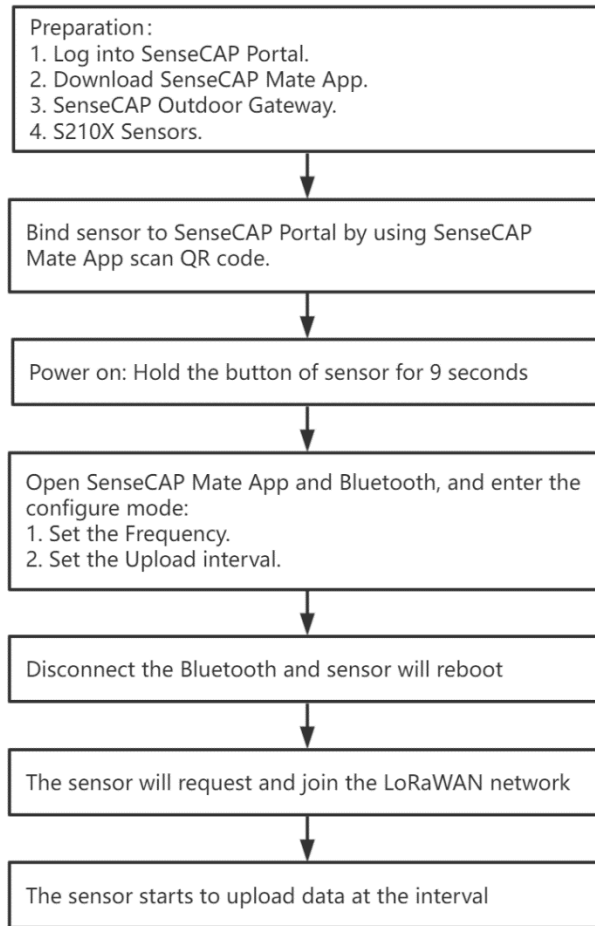
Config | device | User



6.3 Connect to SenseCAP with private TTN

6.3.1 Quick Start

Follow this process to quickly use the sensor, see the following section for details.



6.3.2 Preparation

1) SenseCAP Mate App

Download the App, please refer to [section 5](#) for using.

2) SenseCAP Outdoor Gateway

Now, the sensor needs to be used with the SenseCAP Outdoor Gateway (<https://www.seeedstudio.com/LoRaWAN-Gateway-EU868-p-4305.html>) to transmit data to the SenseCAP Portal.

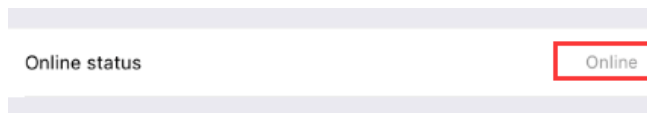
1) Setup the Gateway, connect to power cable and Internet.



- 2) Bind the gateway to SenseCAP Portal.
- 3) Ensure the gateway indicator is steady on.



- 4) Ensure the gateway is displayed online on the portal.



6.3.3 Bind Sensor to SenseCAP Portal

Please refer to the [section 6.2.3](#)

6.3.4 Setup the Sensor

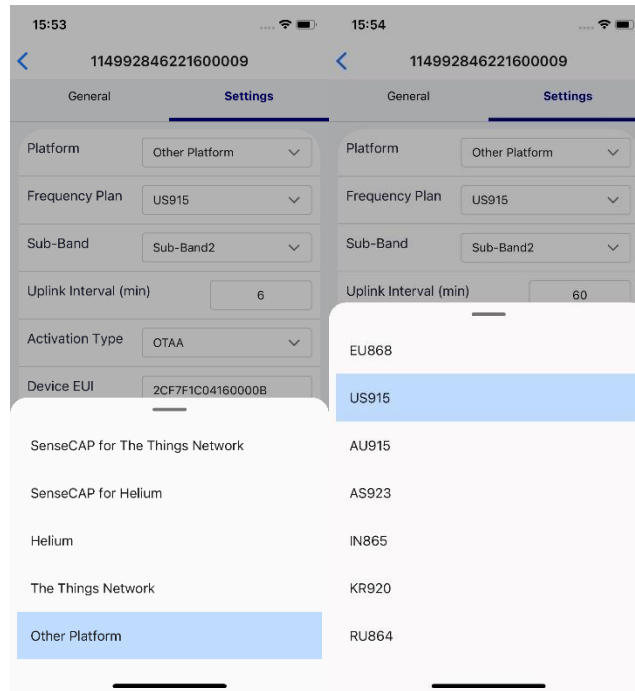
Please refer to the [section 6.2.4](#)

6.3.5 Set Frequency of Sensor via SenseCAP Mate App

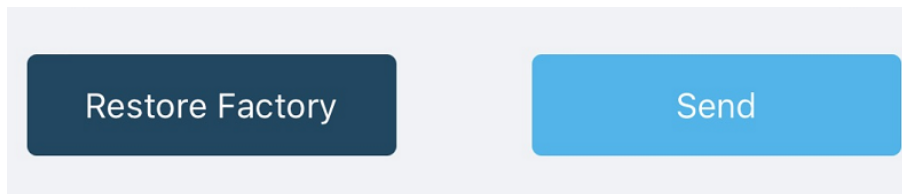
Set the corresponding frequency band based on the frequency band of the gateway.

Please refer to [section 5](#) for detail.

- 1) Click the “Setting” and select the platform is “SenseCAP for The Things Network”.



- 2) Select the Frequency Plan, if the gateway is US915, set the sensor to US915.
- 3) Click the “Send” button, send the setting to the sensor for it to take effect.



- 4) Click the “Home” button, the App will disconnect the Bluetooth connection.
Then, the sensor will reboot.
- 5) When the device is disconnected from Bluetooth, the LED lights up for **15 seconds** and then flashes as a **breathing light**.
- 6) After joining the network successfully, LED **flashes fast for 2s**.

6.3.6 Check Data on SenseCAP Portal

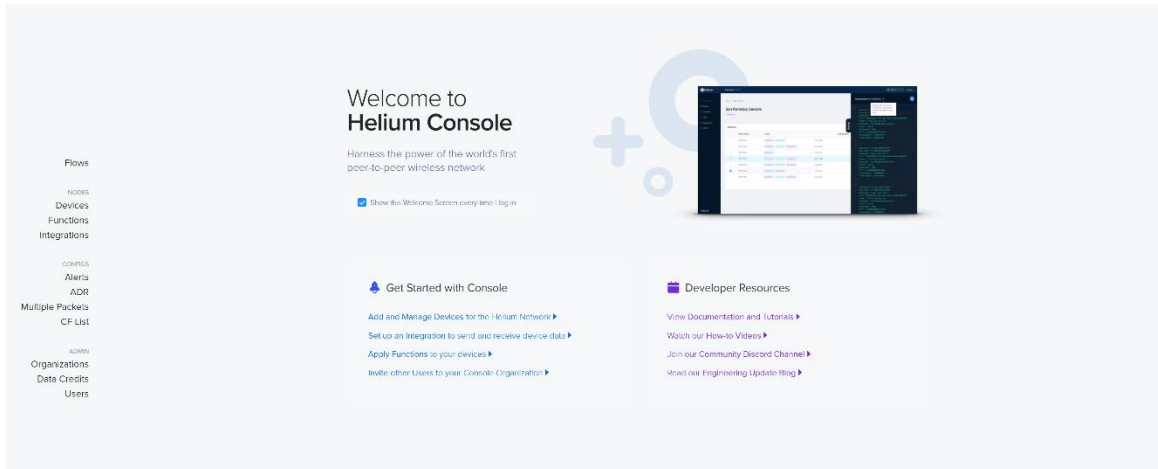
Please refer to the [section 6.2.6](#)



7. Connect to Helium Network

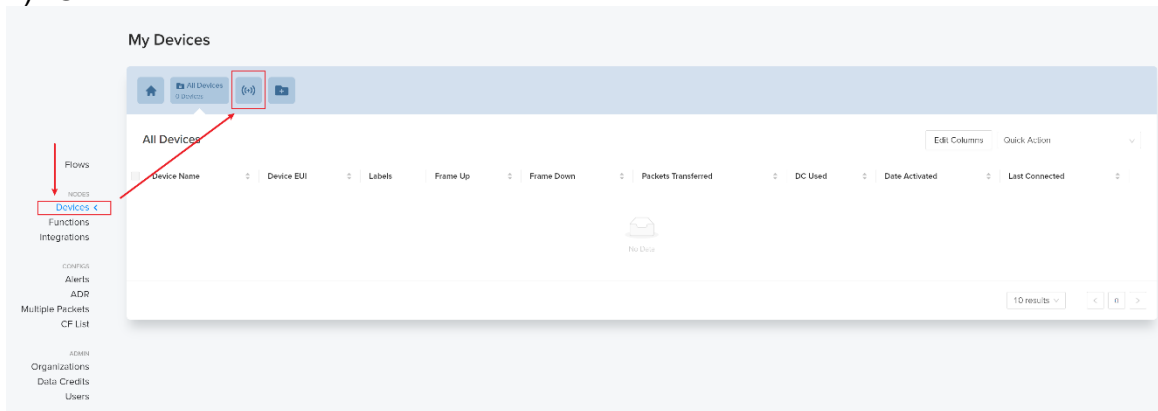
7.1 Register

Please go to <https://console.helium.com/> , and register your account.



7.2 Add New Device

1) Click “Devices” → “Add New Device”



2) Enter the Device EUI, App EUI, App Key: please refer to [Section 1.1](#) for details.



My Devices

The screenshot shows the 'Add New Device' form. On the left, there is a form titled 'ENTER DEVICE DETAILS' with the following fields: Name (SenseCAP-Air-TH, 15/50), Dev EUI (2CF7F12121000C2, 8 / 8 Bytes), App EUI (8000000000000008, 8 / 8 Bytes), and App Key (3BF3D4C5744A057E0A1A61F4800EB080, 16 / 16 Bytes). There is also an 'Attach a Label (Optional)' field. A 'Save Device' button is at the bottom right. On the right side, there is an 'Import Devices' section with a blue button 'Import from The Things Network' and a light blue box with the text 'Drag .csv file here or click to choose file'.

3) Save device.

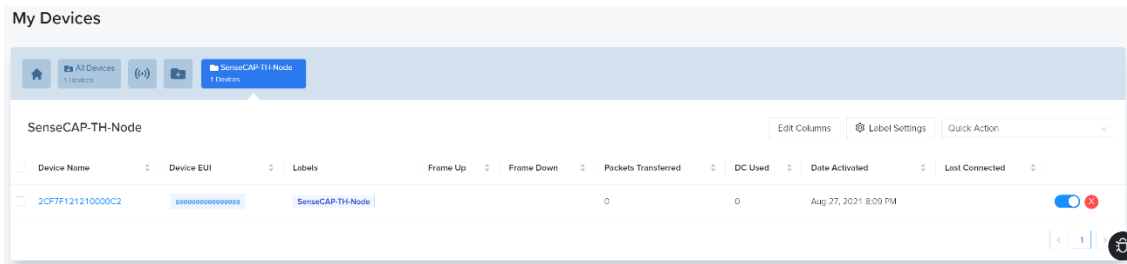
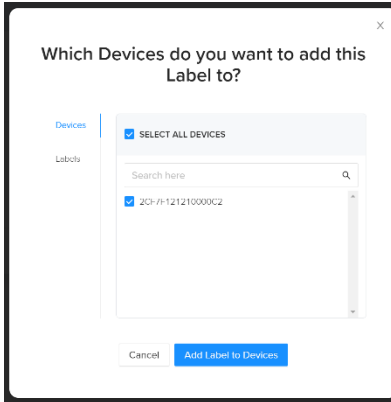
My Devices

The screenshot shows the 'All Devices' table. The table has columns: Device Name, Device EUI, Labels, Frame Up, Frame Down, Packets Transferred, DC Used, Date Activated, and Last Connected. One device is listed with EUI '2CF7F12121000C2' and status 'Pending...'. The table includes 'Edit Columns' and 'Quick Action' buttons. At the bottom right, it shows '10 results' and navigation arrows.

4) Add a new label, then add the label to a device.

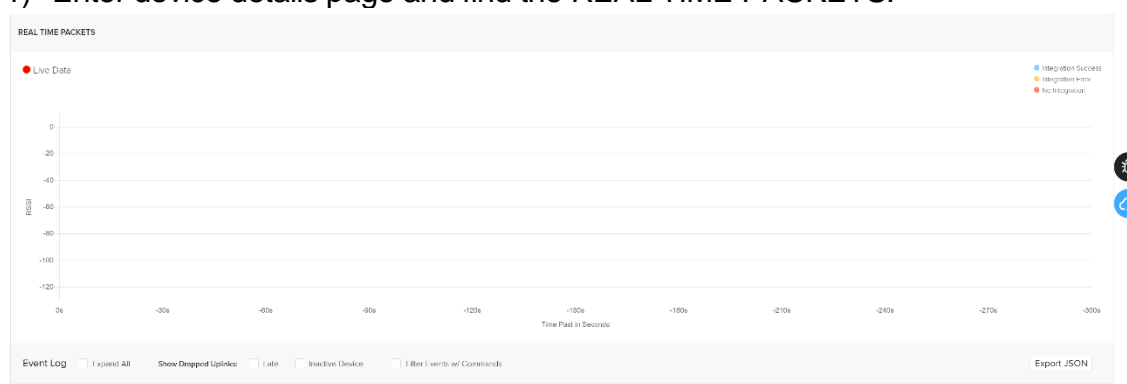
The screenshot shows the 'Add Label' form. The 'ENTER LABEL DETAILS' section has a text input field containing 'SenseCAP-TH-Node' and a character count '16/50'. A red box highlights the input field, and a red arrow points to the 'Add Label' button in the top right corner.

The screenshot shows the 'SenseCAP-TH-Node' device page. The top navigation bar shows 'SenseCAP-TH-Node' and '0 Devices'. A red box highlights the 'Add Label' button in the top bar, and a red arrow points to the 'Quick Action' dropdown menu. The dropdown menu is open, showing options: 'Add this Label to a Device', 'Pause Packet Transfer for Selected Devices', 'Remove Selected Devices from Label', 'Delete Selected Devices', and 'Delete This Label'. The 'Add this Label to a Device' option is highlighted with a red box.

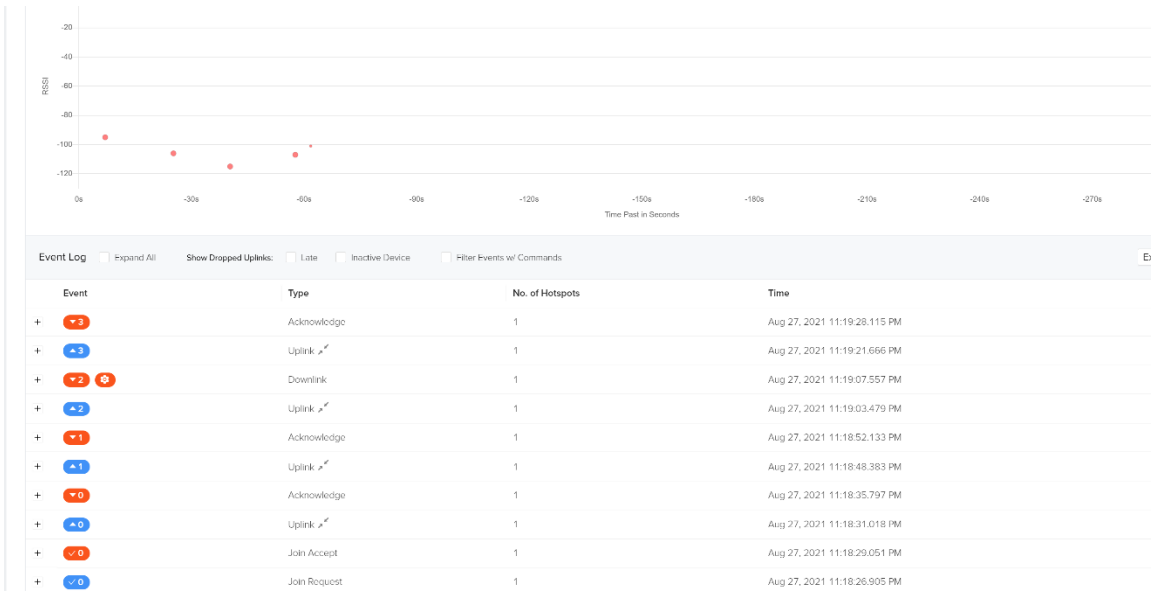


7.3 Check the data on Helium

1) Enter device details page and find the REAL TIME PACKETS.



2) Power on the Sensor, it will display raw data.



7.4 Upload Data from Helium to Datacake

7.4.1 Create a Datacake Account

1) Create a new account, website: <https://datacake.co/>

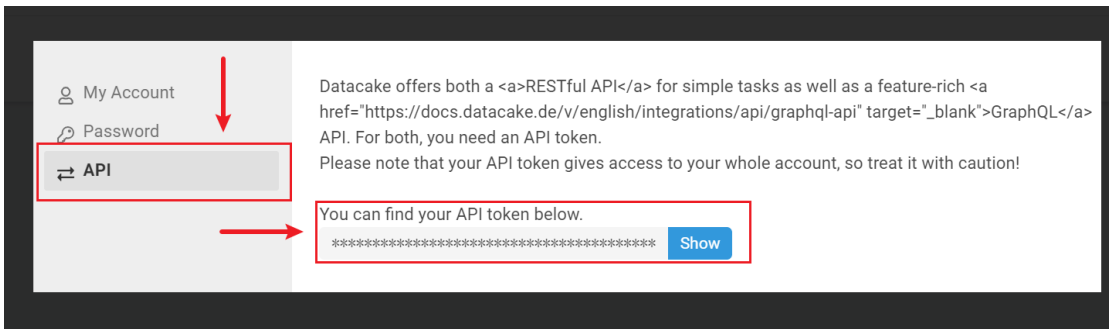
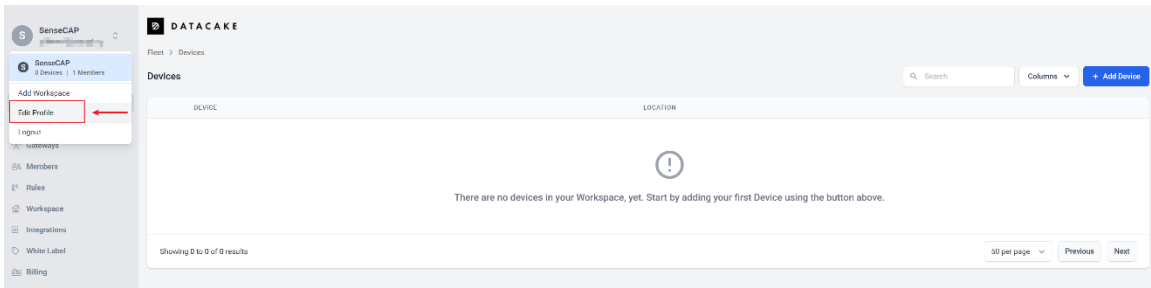


The screenshot shows the 'Create an Account' form with the following fields and content:

- First Name:** e.g. John
- Last Name:** e.g. Doe
- Email:** e.g. john.doe@example.com
- Name of your first Workspace:** e.g. the name of your company or your name
- Password:** Password
- Confirm Password:** Confirm Password

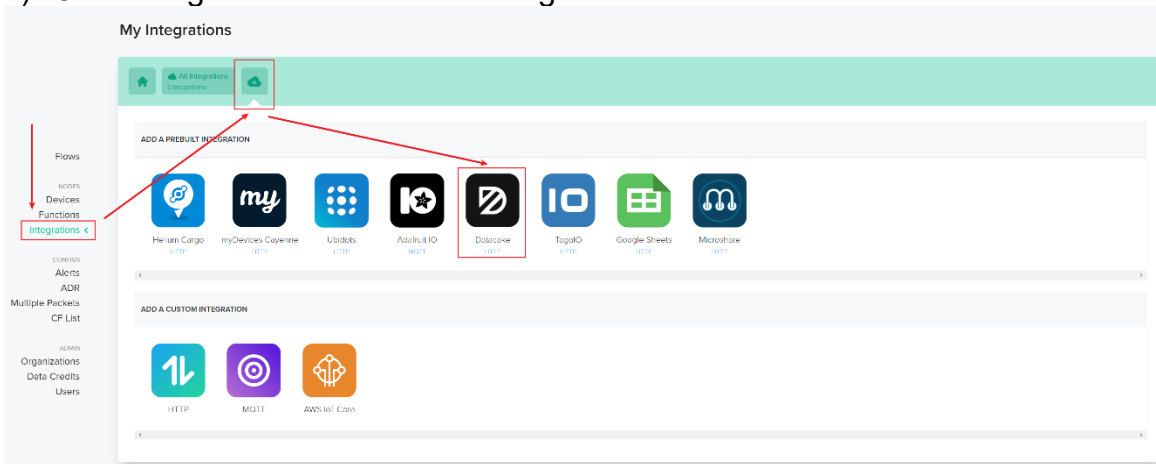
Below the fields, there is a note: "Passwords must have a minimum of 8 characters, including at least one uppercase letter, one lowercase letter, one number and one special character (@!%*#7&)." and a checkbox: "I agree to the Terms of Use and Privacy Policy. I also agree to receive relevant information (such as Software Updates, maintenance, etc.) and my account via email." At the bottom, there is a blue "Create Account" button and a link: "Already have a Datacake Account? Sign In".

2) Click the "Edit Profile" → "API" → Get API token.



7.4.2 Add New Integration on Helium Console

1) Click “Integrations” → “Add New Integration” → “Datacake”.



2) Enter Datacake Token (Refer to [the section](#)) and name your integration.



My Integrations

STEP 1 - CHOOSE AN INTEGRATION TYPE

Datscake
This integration simplifies sending data to the Datscake IoT platform. [Tell me more about setting up this integration.](#) Change

STEP 2 - ENDPOINT DETAILS

Enter Datscake Token:

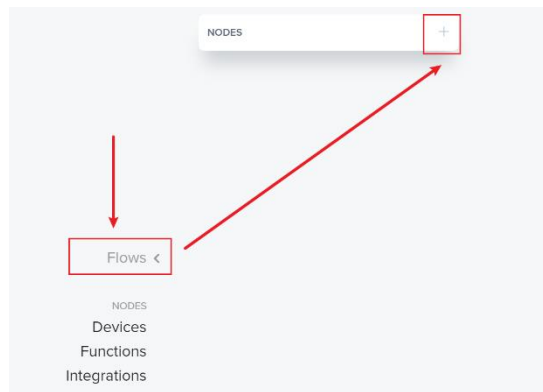
STEP 3 - NAME YOUR INTEGRATION (REQUIRED)

8/50

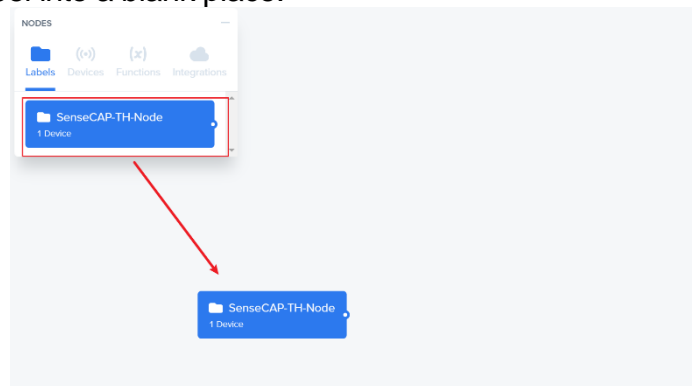
Add Integration

7.4.3 Configure the Flows on Helium

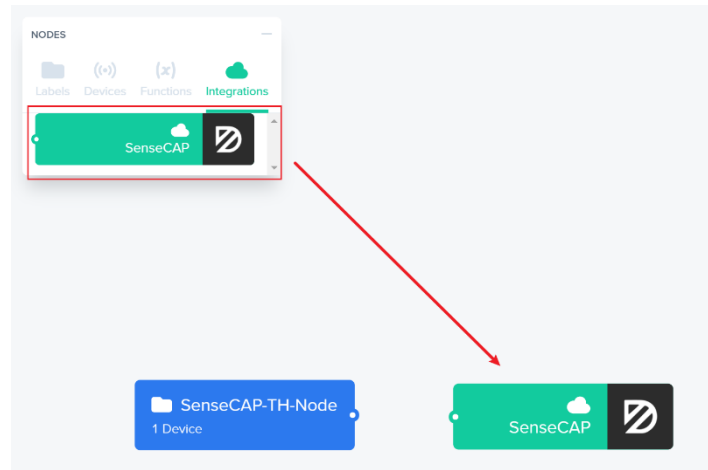
1) Click “Flows”.



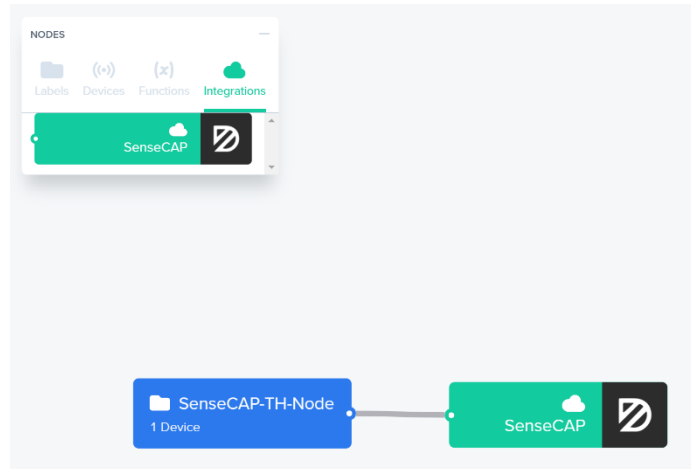
2) Drag the Label into a blank place.



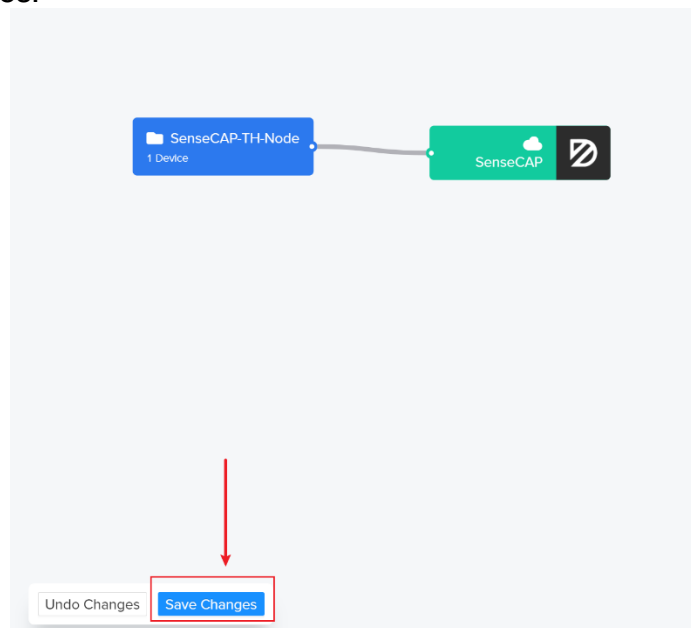
3) Drag the Integration in to a blank place.



4) Connect the two blocks.



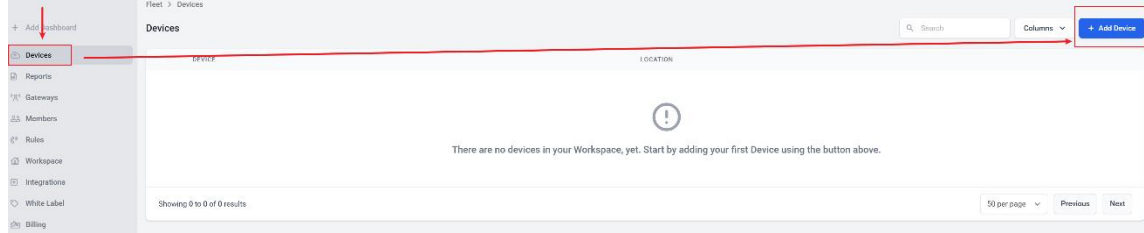
5) Save Changes.



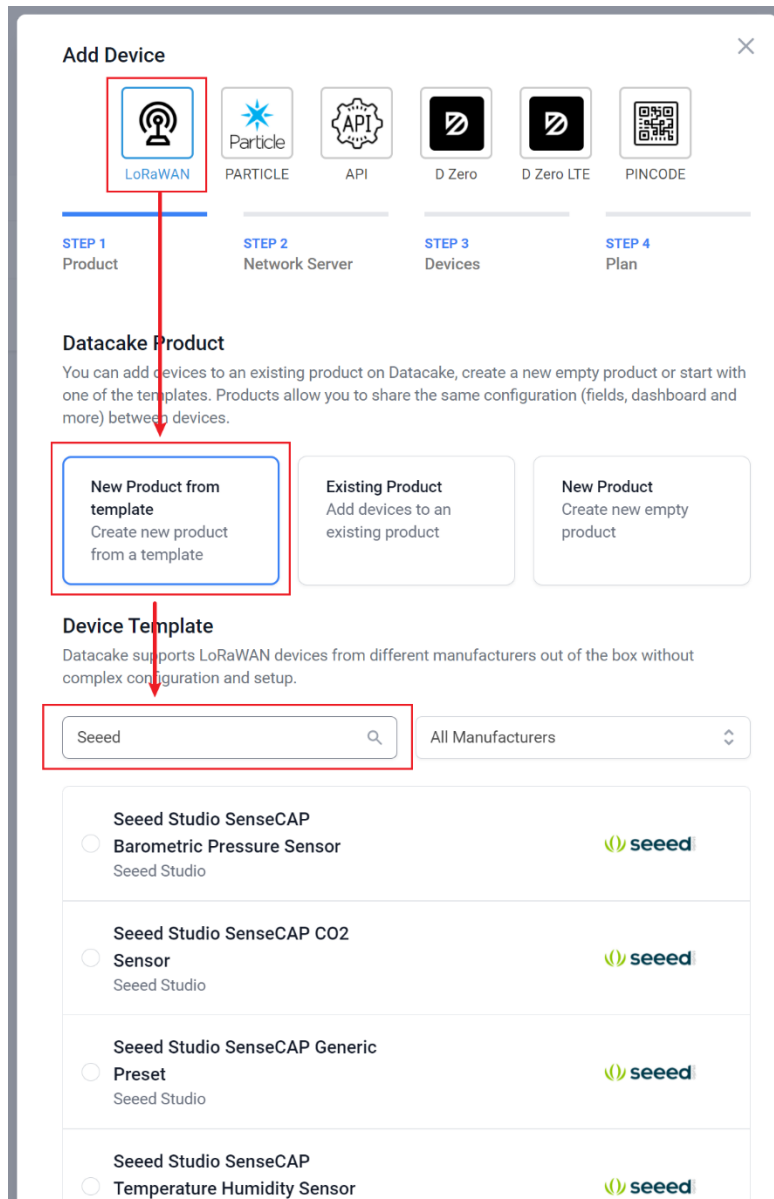


7.4.4 Add the Sensor on Datacake

1) Return Datacake Dashboard, and click “Device”→”Add Device”



2) Search “Seed”, You can select some sensors directly.



3) Select the Sensor Template.



Seeed Studio SenseCAP
 Barometric Pressure Sensor
Seeed Studio

Seeed Studio SenseCAP CO2
 Sensor
Seeed Studio

Seeed Studio SenseCAP Generic
 Preset
Seeed Studio

**Seeed Studio SenseCAP
 Temperature Humidity Sensor
Seeed Studio**

Next

4) Select "Helium".

Add Device

LoRaWAN PARTICLE API D Zero D Zero LTE PINCODE

STEP 1 Product STEP 2 Network Server STEP 3 Devices STEP 4 Plan

Network Server
Please choose the LoRaWAN Network Server that your devices are connected to.

The Things Stack V3
TTN V3 / Things Industries Uplinks Downlinks

The Things Network V2
The old Things Network Uplinks Downlinks

helium Helium Uplinks Downlinks

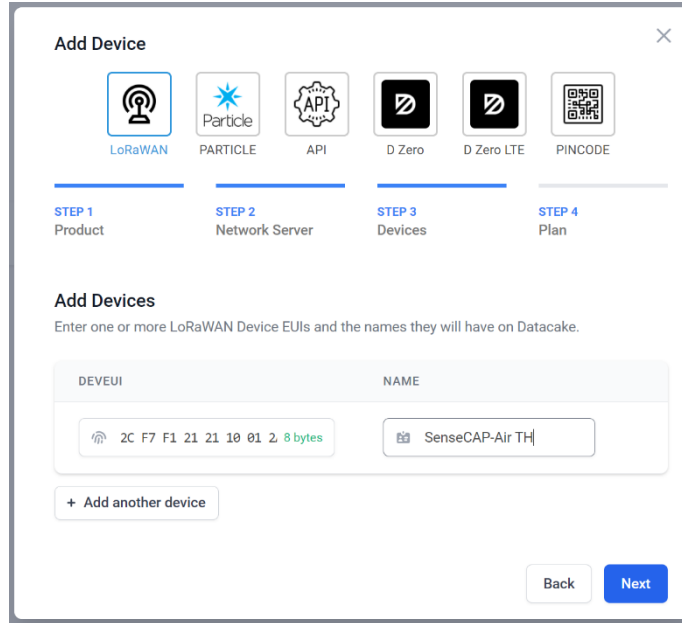
LORIoT LORIOT Uplinks Downlinks

kerlink Kerlink Wanesy Uplinks

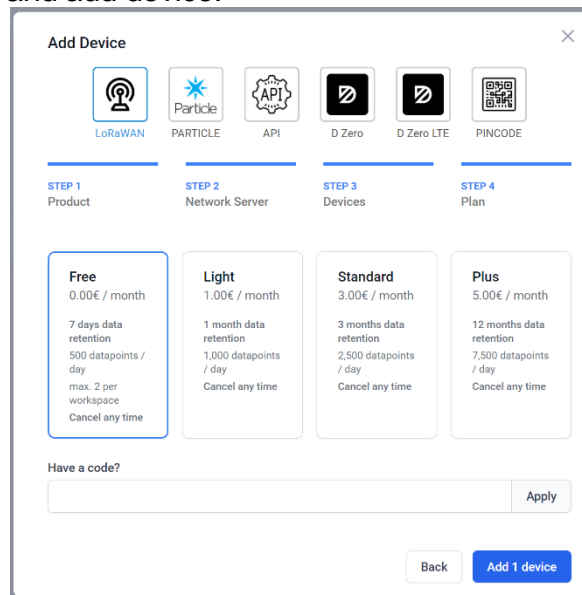
Showing 1 to 5 of 8 results Previous Next

Back Next

5) Enter your Device EUI and Name.



6) Select your Plan and add device.



7.4.5 Check Data from Datacake

1) Click Debug button, it will display debug log.



SenseCAP-Air-TH

Serial Number
2CF7F121211000DE

Last update
Never

- Dashboard
- History
- Downlinks
- Configuration
- Debug**
- Rules
- Permissions

Debug Log

The Debug Log shows the last up to 100 debug messages.

Time	Title	Details
Sat, Aug 28, 2021 12:57 AM	Recorded measurements from payload decoder	Decoder returned: [] Log: null Recorded measurements: Decoder execution time: 26.178312ms
Sat, Aug 28, 2021 12:57 AM	Received webhook data from helium	Raw webhook: b'({"app_eui":"8000000000000000","dev_eui":"2CF7F121211000DE","devaddr":"AC030048","downlink_url":"https://console.helium.com/api/v1/down/598b5477-e036-4751-8295-037785528274/IDvnlLzix2U59QouyIElPqWZBu9p0d6s77i7Ea3b-1d1c-479d-95d8-82
Sat, Aug 28, 2021 12:56 AM	Recorded measurements from payload decoder	Decoder returned: [] Log: null

SenseCAP-Air-TH

Serial Number
2CF7F121211000DE

Last update
Never

- Dashboard
- History
- Downlinks
- Configuration
- Debug**
- Rules
- Permissions

Debug Log

The Debug Log shows the last up to 100 debug messages.

Time	Title	Details
Sat, Aug 28, 2021 1:01 AM	Recorded measurements from payload decoder	Decoder returned: { ("field": "HUMIDITY", "value": 63.4 } Log: null Recorded measurements: HUMIDITY = 63.4 (timestamp: auto) Decoder execution time: 2.7509ms
Sat, Aug 28, 2021 1:01 AM	Received webhook data from helium	Raw webhook: b'({"app_eui":"8000000000000000","dev_eui":"2CF7F121211000DE","devaddr":"AC030048","downlink_url":"https://console.helium.com/api/v1/down/598b5477-e036-4751-8295-037785528274/IDvnlLzix2U59QouyIElPqWZBu9p0d6s77i7Ea3b-1d1c-479d-95d8-82
Sat, Aug 28, 2021 1:01 AM	Recorded measurements from payload decoder	Decoder returned: { ("field": "TEMPERATURE", "value": 27.4 } Log: null

Activate Windows
Go to Settings to activate Windows.





SenseCAP-Air-TH

Serial Number
2CF7F121211000DE

Last update
Never

- Dashboard
- History
- Downlinks
- Configuration
- Debug
- Rules
- Permissions





8. Connect to The Things Network

The Things Network website: <https://www.thethingsnetwork.org>

The Things Industries login: <https://accounts.thethingsindustries.com/login>

TTN Quick Start: <https://www.thethingsnetwork.org/docs/quick-start/>

8.1 Preparation

8.1.1 Gateway Registration on TTN

Create a Gateway on the TTN console.

The screenshot shows the 'Add gateway' form in the TTN console. The form is titled 'Add gateway' and is under the 'General settings' section. The form fields are as follows:

Field	Value
Owner	sensecap
Gateway ID	my-new-gateway
Gateway EUI	Gateway EUI
Gateway Name	My new gateway
Gateway description	Description for my new gateway
Gateway Server address	sensecap-sts-sg-1.seeed.cc

8.1.2 Create the Application

Create an application on your TTN console.



Add application

Owner

Application ID

Application name

Description
Optional application description; can also be used to save notes about the application

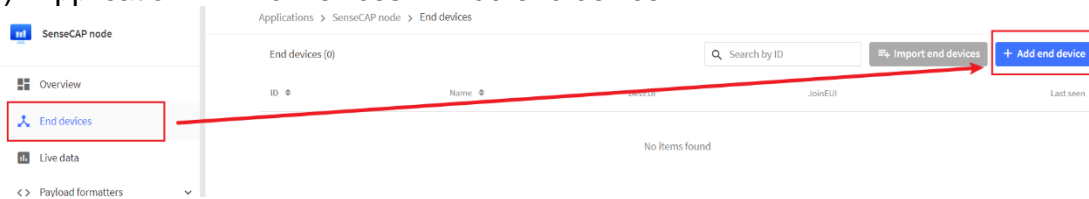
Linking Link new application to Network Server automatically

Network Server address
Leave empty to link to the Network Server in the same cluster

[Create application](#)

8.2 Add Sensor to TTN Console

1) Application → End Devices → Add end device



2) Select the end device

- ① Brand: SenseCAP
- ② Model: Select your sensor. (If not, use manual add)
- ③ Hardware / Firmware Version: Usually choose the latest
- ④ Device ID: Enter a unique name.




Register end device

[From The LoRaWAN Device Repository](#) Manually

1. Select the end device

Brand [?] *	Model [?] *	Hardware Ver. [?] *	Firmware Ver. [?] *	Profile (Region) *
SenseCAP v	SenseCAP Wireless Air T... v	2.0 v	3.4 v	EU_863_870 v

① ② ③ ④



SenseCAP Wireless Air Temperature and Humidity Sensor - LoRaWAN
MAC V1.0.2, PHY V1.0.2 REV B, Over the air activation (OTAA), Class A

It measures temperature and humidity in the atmosphere. It's designed with a 2-in-1 sensor, a custom battery, and an industry-grade enclosure, optimized for outdoor use cases that need reliable data collection for years.

[Product website](#) [?]

2. Enter registration data

Frequency plan [?] *
Europe 863-870 MHz (SF9 for RX2 - recommended) v

⑤

AppEUI [?] *
80 00 00 00 00 00 00 09 00
DevEUI [?] *
2C F7 F1 20 25 20 00 BB
AppKey [?] *
54 7E F3 ED 34 3B DB F3 2A 51 5A BF 4B A4 F8 3D ↻

⑥

End device ID [?]*

2cf7f120252000bb

After registration

- View registered end device
- Register another end device of this type

Register end device



- ⑤ Frequency plan: Get it from SenseCAP Mate App.
- ⑥ Device EUI、App EUI、 App Key: Get it from SenseCAP Mate App.
- ⑦ Register end device.

8.3 Check Data on TTN Console

On the Data page, data package is uploaded. For the format of the payload, refer to the section of Payload Decoding.

The screenshot shows the TTN Console interface for an application named 'sensecap-node' and a device named 'th-sensor'. The 'Data' tab is active, displaying a table of application data. The table has columns for time, counter, port, status, and payload. The data shows several uplink messages with confirmed status and specific payloads.

time	counter	port	status	payload
19:25:48	4	2	retry confirmed	01 01 10 90 65 00 00 01 02 10 78 E6 00 00 92 AF
19:25:47	0			
19:25:47	4	2	confirmed	01 01 10 90 65 00 00 01 02 10 78 E6 00 00 92 AF
19:25:25	3	2		01 06 00 00 00 00 00 2F 87
19:25:05	0			
19:25:04	2	2	confirmed	01 06 00 00 00 00 00 2F 87
19:24:48	0			
19:24:47	1	2	confirmed	01 06 00 00 00 00 00 2F 87
19:24:30	0			
19:24:29	0	2	confirmed	00 00 00 03 03 00 02 00 07 00 4A 00 3C 00 01 01 00 00 01 00 01 01 02 00 99 00 30 12 01 03 00
19:24:19				dev addr: 26 01 27 DB app eui: 80 00 00 00 00 00 06 dev eui: 2C F7 F1 20 14 70 02 97



9. Payload Decoder

9.1 Decoder Code

TTN payload decoding script for SenseCAP A1101:

https://github.com/Seeed-Solution/TTN-Payload-Decoder/blob/master/decoder_new-v3.js

TTN payload decoding script for SenseCAP S210X:

<https://github.com/Seeed-Solution/TTN-Payload-Decoder/>

Helium payload decoding script for SenseCAP A1101:

https://github.com/Seeed-Solution/Helium-Console-Decoder/blob/main/decoder_datacake.js

9.2 Packet Parsing

9.2.1 Packet Initialization

After being powered on or reboot, SenseCAP Sensors will be connected to the network using the OTAA activation method. Each Sensor Node will send data packets to the server, including the following data:

Initial packets (no need to learn about these initial packets)

One packet with device info including hardware version, software version, battery level, sensor hardware & software version, sensor EUJ, power, and sensor power time counter at each channel.

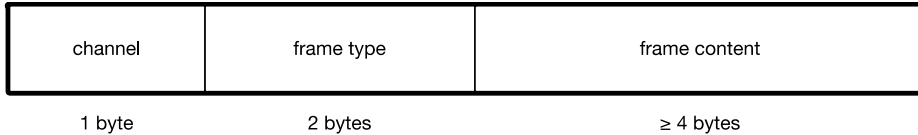
Measurement data packets

The only thing we should pay attention to is the sensor measurement data packets.

time	counter	port	
11:19:12		0	
11:19:16	5	2	confirmed payload: 01 01 10 B0 68 00 00 01 02 10 88 F4 00 00 8C FF
11:18:58		0	

Packet Structure

The structure of the frame is shown in the image below.



1 byte for channel, default as 1, means the sensor has been well connected.

2 bytes for frame type, in this case, it will be 0110 and 0210, means temperature value and humidity value

4 bytes for content, is the sensor value with CRC

The frame content is sent in **little-endian byte order**.

9.3 Data Parsing Example

9.3.1 Measurements List

Measurements	Measurement ID (HEX)	Resolution	Unit
Air Temperature	0x1001	0.01	°C
Air Humidity	0x1002	0.01	%RH
Light Intensity	0x1003	1	Lux
CO2	0x1004	1	ppm
Soil Temperature	0x1006	0.1	°C
Soil Moisture	0x1007	0.1	%
Soil EC (Electrical Conductivity)	0x100C	0.01	dS/m

9.3.2 Example – S2101 Air Temperature and Humidity Sensor

Air Temperature and Humidity Sensor measurement packet:

01 0110 B0680000 01 0210 88F40000 8CFF

Part	Value	Raw Data	Description
------	-------	----------	-------------



1	Air Temperature	01 0110 B0680000	<p>01 is the channel number.</p> <p>0110 is 0x1001 (little-endian byte order) , which is the measurement ID for air temperature.</p> <p>B0680000 is actually 0x000068B0, whose equivalent decimal value is 26800. Divide it by 1000, and you will get the actual measurement value for air temperature as 26.8°C.</p>
2	Air Humidity	01 0210 88F40000	<p>01 is the channel number.</p> <p>0210 is 0x1002 (little-endian byte order), which is the measurement ID for air humidity.</p> <p>88F40000 is actually 0x0000F488, whose equivalent decimal value is 62600. Divide it by 1000, and you will get the actual value for air humidity as 62.6%RH.</p>
3	CRC	8CFF	The CRC verification part.

9.3.1 Example – S2102 Light Intensity Sensor

Light Intensity Sensor measurement packet:

01 0310 A8550200 E3E9

Part	Value	Raw Data	Description
1	Light Intensity	01 0310 A8550200	<p>01 is the channel number.</p> <p>0310 is 0x1003 (little-endian byte order) , which is the measurement ID for Light Intensity.</p> <p>A8550200 is actually 0x000255A8, whose equivalent decimal value is 153000. Divide it by 1000, and you'll get the actual measurement value for Light Intensity as 153 Lux.</p>
3	CRC	E3E9	The CRC verification part.

9.3.2 Example – S2103 CO2, Temperature and Humidity Sensor

CO2, Temperature and Humidity Sensor measurement packet:



01 0410 80140700 01 0110 F4650000 01 0210 7C7D0100 3C4D

Part	Value	Raw Data	Description
1	CO2	01 0410 80140700	<p>01 is the channel number.</p> <p>0410 is 0x1004 (little-endian byte order) , which is the measurement ID for CO2.</p> <p>80140700 is actually 0x00071480, whose equivalent decimal value is 464000. Divide it by 1000, and you will get the actual measurement value for CO2 as 464 ppm.</p>
2	Air Temperature	01 0110 F4650000	<p>01 is the channel number.</p> <p>0110 is 0x1001 (little-endian byte order) , which is the measurement ID for air temperature.</p> <p>F4650000 is actually 0x000065F4, whose equivalent decimal value is 26100. Divide it by 1000, and you will get the actual measurement value for air temperature as 26.1 °C.</p>
3	Air Humidity	01 0210 7C7D0100	<p>01 is the channel number.</p> <p>0210 is 0x1002 (little-endian byte order), which is the measurement ID for air humidity.</p> <p>7C7D0100 is actually 0x00017D7C, whose equivalent decimal value is 97660. Divide it by 1000, and you will get the actual measurement value for air humidity as 97.66 %RH.</p>
4	CRC	3C4D	The CRC verification part.

9.3.3 Example – S2104 Soil Moisture and Temperature Sensor

Soil Moisture and Temperature Sensor measurement packet:

01 0610 245E0000 01 0710 BCB10000 A3D9

Part	Value	Raw Data	Description
1	Soil Temperature	01 0610 245E0000	01 is the channel number.



			<p>0610 is 0x1006 (little-endian byte order) , which is the measurement ID for soil temperature.</p> <p>245E0000 is actually 0x00005E24, whose equivalent decimal value is 24100. Divide it by 1000, and you will get the actual measurement value for soil temperature as 24.1°C.</p>
2	Soil Moisture	01 0710 BCB10000	<p>01 is the channel number.</p> <p>0710 is 0x1007 (little-endian byte order), which is the measurement ID for soil moisture.</p> <p>BCB10000 is actually 0x0000B1BC, whose equivalent decimal value is 45500. Divide it by 1000, and you will get the actual measurement value for soil moisture as 45.5%RH.</p>
3	CRC	A3D9	The CRC verification part.

9.3.4 Example – S2105 Soil Moisture, Temperature and EC Sensor

Soil Moisture, Temperature and EC Sensor measurement packet:

01 0610 5C5D0000 01 0710 48A30000 01 0C10 B4000000 DD0A

Part	Value	Raw Data	Description
1	Soil Temperature	01 0610 5C5D0000	<p>01 is the channel number.</p> <p>0610 is 0x1006 (little-endian byte order) , which is the measurement ID for soil temperature.</p> <p>5C5D0000 is actually 0x00005D5C, whose equivalent decimal value is 23900. Divide it by 1000, and you will get the actual measurement value for soil temperature as 23.9°C.</p>
2	Soil Moisture	01 0710 48A30000	<p>01 is the channel number.</p> <p>0710 is 0x1007 (little-endian byte order), which is the measurement ID for soil moisture.</p> <p>48A30000 is actually 0x0000B1BC, whose equivalent decimal value is 45500. Divide it by 1000, and you will get the actual</p>



			measurement value for soil moisture as 45.5%RH.
3	Soil Electrical Conductivity	01 DC10 B4000000	<p>01 is the channel number.</p> <p>DC10 is 0x100C (little-endian byte order), which is the measurement ID for soil EC.</p> <p>B4000000 is actually 0x000000B4, whose equivalent decimal value is 180. Divide it by 1000, and you will get the actual measurement value for soil EC as 0.18 dS/m.</p>
4	CRC	DD0A	The CRC verification part.

9.3.1 Example – A1101 Vision AI Sensor

Device Name	Measurements	Measurement ID (HEX)
SenseCAP A1101 - LoRaWAN Vision AI Sensor	AI Detection No.01	4175
	AI Detection No.02	4176
	AI Detection No.03	4177
	AI Detection No.04	4178
	AI Detection No.05	4179
	AI Detection No.06	4180
	AI Detection No.07	4181
	AI Detection No.08	4182
	AI Detection No.09	4183
	AI Detection No.10	4184

Vision AI Sensor measurement packet:

01 4F10 7A030000 427D

Part	Value	Raw Data	Description
------	-------	----------	-------------



1	Vision AI Data info	01 0110 B0680000	<p>01 is the channel number.</p> <p>0110 is 0x4F10 (little-endian byte order) , which is the measurement ID for AI detection</p> <p>7A030000 is actually 0x000000, The integer digit is the target number (targetId range: 1~39), and the decimal digit is the confidence level or count value (range: 0~99). The confidence level 0~99 indicates the confidence level of 1~100.</p>
2	CRC	CD14	The CRC verification part.

Vision AI Sensor measurement packet:

01 0900 00 00 01 00 C289

Part	Value	Raw Data	Description
1	Vision AI Channel Information	01 0900 0000 01 00	<p>01 is the channel number.</p> <p>0900 is 0x0900 (little-endian byte order) , which is the data ID for AI detection</p> <p>0000 is 0x000 (little-endian byte order),</p> <p>Model self-incrementing version number, this ID changes every time the model changes, from 0 to 255, reset to 0 when it exceeds 255</p> <p>01 model Id</p> <p>00 Is detection type:</p> <p>0x00: Object Detection</p> <p>0x01: Object Counting</p> <p>0x02: Image Classification</p> <p>0xFF: Unknown</p>
2	CRC	CD14	The CRC verification part.

9.4 Battery Information

Please note the counter number. After 20 packets, it will follow one special packet with battery info.

You can either ignore this packet or get rid of the battery info in your code.



↓ 18:09:48	Successfully scheduled data downlink	DevAddr: 27 00 59 27						
↓ 18:09:48	Schedule data downlink for transmissi...	FPort: 5						
↑ 18:09:48	Forward data message to Application S...	DevAddr: 27 00 59 27	FRMPayload: FE 39 78 39 59 DE 1E AB C5 5F 00 e3 BE F6 5E 7E DB 0E 13 4F 44 87 D7	FPort: 2	SNR: 7.5	Bandwidth: 125000		
↑ 18:09:48	Forward uplink data message	DevAddr: 27 00 59 27	FRMPayload: 00 07 00 04 00 05 00 01 06 10 B4 5F 00 00 01 07 10 A4 1F 00 00 32 59	FPort: 2	SNR: 7.5	Bandwidth: 125000		
↑ 18:09:48	Receive uplink data message	DevAddr: 27 00 59 27					Battery Package	
↑ 18:09:48	Successfully processed data message	DevAddr: 27 00 59 27	FPort: 2	FCnt: 5	FRMPayload: FE 39 78 39 59 DE 1E AB C5 5F 00 e3 BE F6 5E 7E DB 0E 13 4F 44 87 D7	Bandwidth: 125000	SNR: 7.5	Raw payload: 00 27 59
↔ 18:09:48	Link ADR accept received	DevAddr: 27 00 59 27						
↑ 18:09:48	Receive data message	DevAddr: 27 00 59 27	FPort: 2	FCnt: 5	FRMPayload: FE 39 78 39 59 DE 1E AB C5 5F 00 e3 BE F6 5E 7E DB 0E 13 4F 44 87 D7	Bandwidth: 125000	SNR: 7.5	Raw payload: 00 27 59

Original Info:

00070064000500010610B45F0000010710A41F00003259

Battery Package: 00070064000500

Example:

Battery & Soil Moisture and Temperature Sensor(S2104) measurement packet:

00070064000500010610B45F0000010710A41F00003259

Part	Value	Raw Data	Description
1	Battery	00 0700 6400 0500	<p>00 is the channel number.</p> <p>0700 is 0x0007 (little-endian byte order) , which is the measurement ID for battery.</p> <p>6400 is 0x0064 (little-endian byte order) , whose equivalent decimal value is 100. Battery level is 100%.</p> <p>0500 is 0x0005 (little-endian byte order) , whose equivalent decimal value is 5. Upload interval is 5 minutes.</p>
2	Soil Temperature	01 0610 B45F0000	<p>01 is the channel number.</p> <p>0610 is 0x1006 (little-endian byte order) , which is the measurement ID for soil temperature.</p> <p>B45F0000 is actually 0x00005FB4, whose equivalent decimal value is 24500. Divide it by 1000, and you will get the actual measurement value for soil temperature as 24.5°C.</p>
3	Soil Moisture	01 0710 A41F0000	<p>01 is the channel number.</p> <p>0710 is 0x1007 (little-endian byte order), which is the measurement ID for soil moisture.</p>



			A41F0000 is actually 0x00001FA4, whose equivalent decimal value is 8100. Divide it by 1000, and you will get the actual measurement value for soil moisture as 8.1%RH.
4	CRC	3259	The CRC verification part.



10. Device Installation

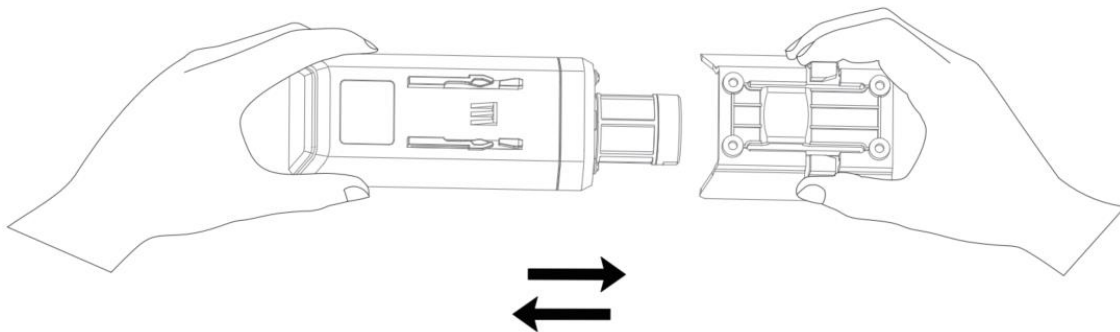
10.1 Installing Sensor

10.1.1 Installing the Sensor Bracket

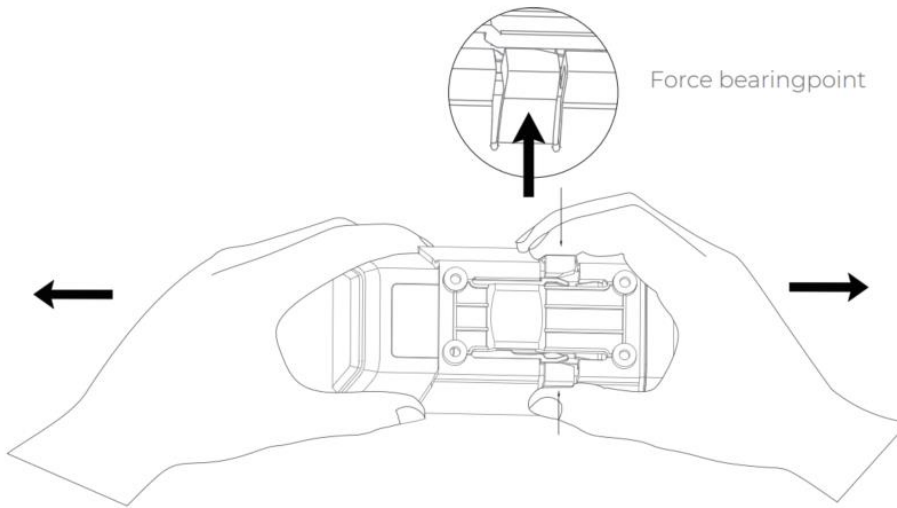
Specially designed for installing SenseCAP Sensors, the bracket is a sliding cap. With designated screw-holes, the bracket helps fasten the Sensor Node firmly onto a pole or a wall.



- 1) With the sensor in one hand and a bracket in the other, find an unobstructed direction along the back of the sensor.

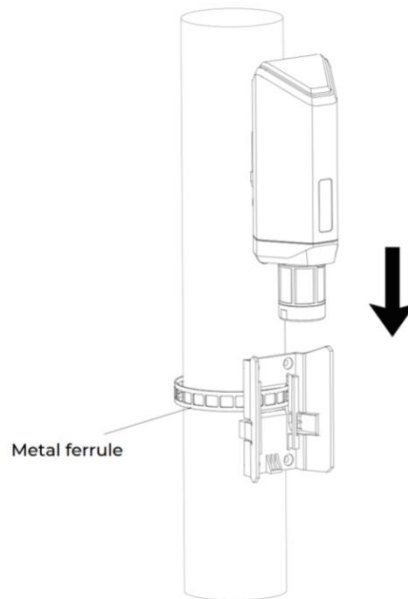


- 2) One hand holds the clasp while the other holds the device. Pull outward with opposite force. Press the upper part of the buckle with your finger.\

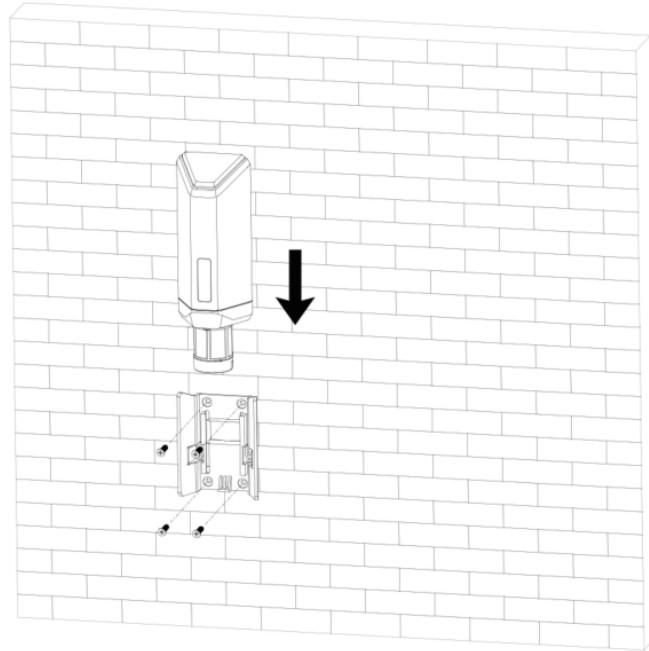


10.1.1 Mount on Pole and Wall

- 1) Mount on pole



- 2) Mount on wall



10.2 Replace the Battery

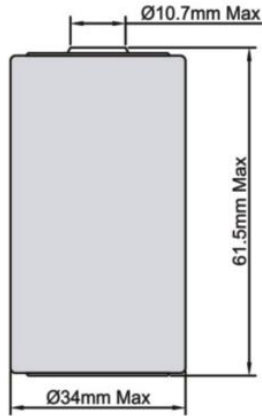
10.2.1 How to Buy the Battery

We suggest buying it from Amazon.

- 1) EEMB ER34615: [Click here](#)
- 2) Search the key word: LiSOCI2 ER34615 battery. Compare the batteries that meet the following parameters. The most important thing is to match the voltage.

Battery Specification	
Nominal capacity	19000mAh
Model	Li-SOCI2, ER34615
Nominal voltage	3.6V
Max. continuous current	230mA
Max. pulse current capability	400mA
Dimension	∅ 34.0*61.5mm (D size)



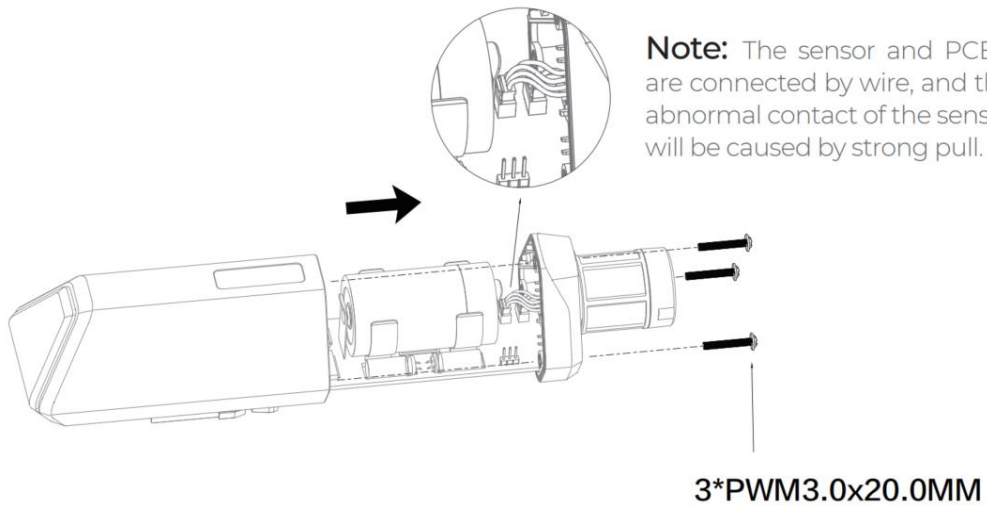
	
Operating temperature range	-60°C to 85°C

10.2.2 How to Replace a New Battery

- 1) Remove three screws.

 **Note:**

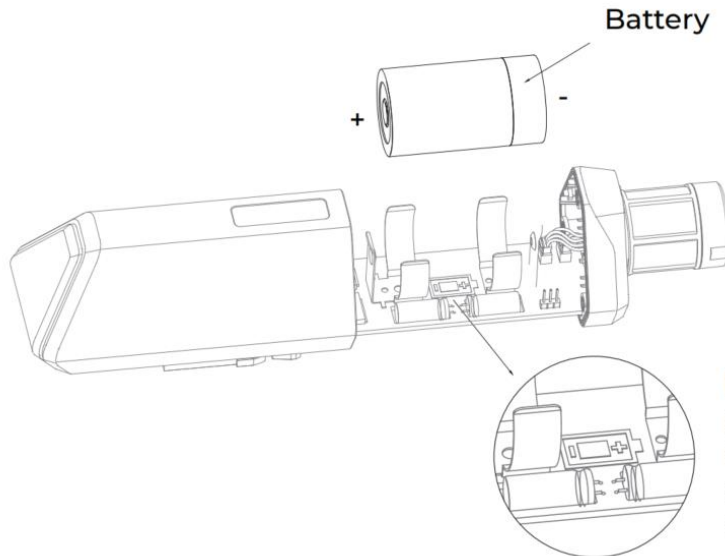
The sensor and PCBA are connected by wire, please disassemble carefully.



- 2) Install a new battery.

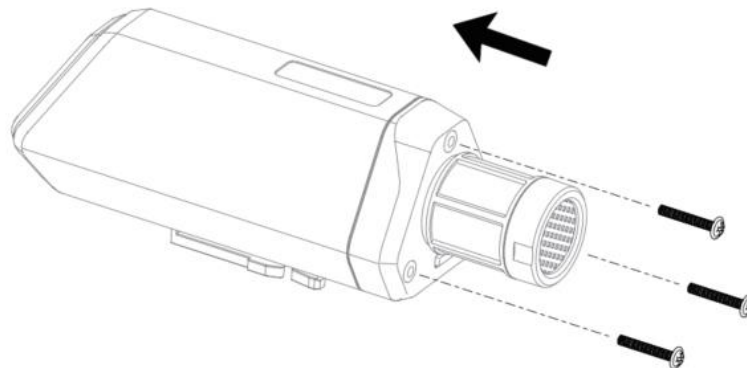
 **Note:**

Pay attention to the positive and negative terminals of the battery.



Note: Do not invert the positive and negative batteries. Otherwise, short circuit may occur and the device may be damaged.

3) Install screws.



⚠ Note:

During the installation, ensure that the waterproof washer is properly installed and the screws are locked; otherwise, water will flow into the device.



11. Trouble Shooting

11.1 Support

Support is provided Monday to Friday, from 09:00 to 18:00 GMT+8. Due to different time zones, we cannot offer live support. However, your questions will be answered as soon as possible in the before-mentioned schedule.

Provide as much information as possible regarding your enquiry (product models, accurately describe your problem and steps to replicate it etc.) and send a mail to: sensecap@seeed.cc

11.2 Document Version

Version	Date	Description	Editor
V1.0.0	5/01/2022	First edition	Jenkin Lu
V1.0.1	6/14/2022	Add App description	Jenkin Lu
V1.0.2	11/2/2022	A1101 Description	Ming Wen
V1.0.3	13/1/2022	A1101 Decoder Link Updated	Ming Wen
V1.0.4	3/2/2023	A1101 Decoder Demo Added	Ming Wen