

SPEC NO.	SP-12G0915GT01-01	ISSUED DATE	2016.09.07	PUBLISHED BY
PRODUCT NAME	OMA-G03A (Omni Fiberglass Antenna)	VERSION	V01	
		PAGE	1/10	

SPECIFICATION

SPEC NO. : SP-12G0915GT01-01

PART NO. : OMA-G03A

PRODUCT NAME : Omni Fiberglass Antenna

DESCRIPTION : 902-928 MHz /5 dBi/ Fiberglass Omni
Antenna with N-style Jack Connector
(含 cable 213/U 1M, N PLUG TO N
PLUG)

REVISION STATUS

VERSION	DATE	PAGE	REVISION DESCRIPTION	PREPARED	DESIGNED	APPROVED
V01	2016.09.07	All	新制訂	Mingru	TY	Frank

Prepared By	Designed By	Approved By

SPEC NO.	SP-12G0915GT01-01	ISSUED DATE	2016.09.07	PUBLISHED BY
PRODUCT NAME	OMA-G03A (Omni Fiberglass Antenna)	VERSION	V01	
		PAGE	2/10	

Product Description

The GSC-TECH 5 dBi Fiberglass omni directional antenna is specially designed for applications operating in 902-928 MHz frequency, including radio frequency identification (RFID), land mobile, location monitoring systems (LMS), and ISM applications.

It features high gain and is vertically polarized.

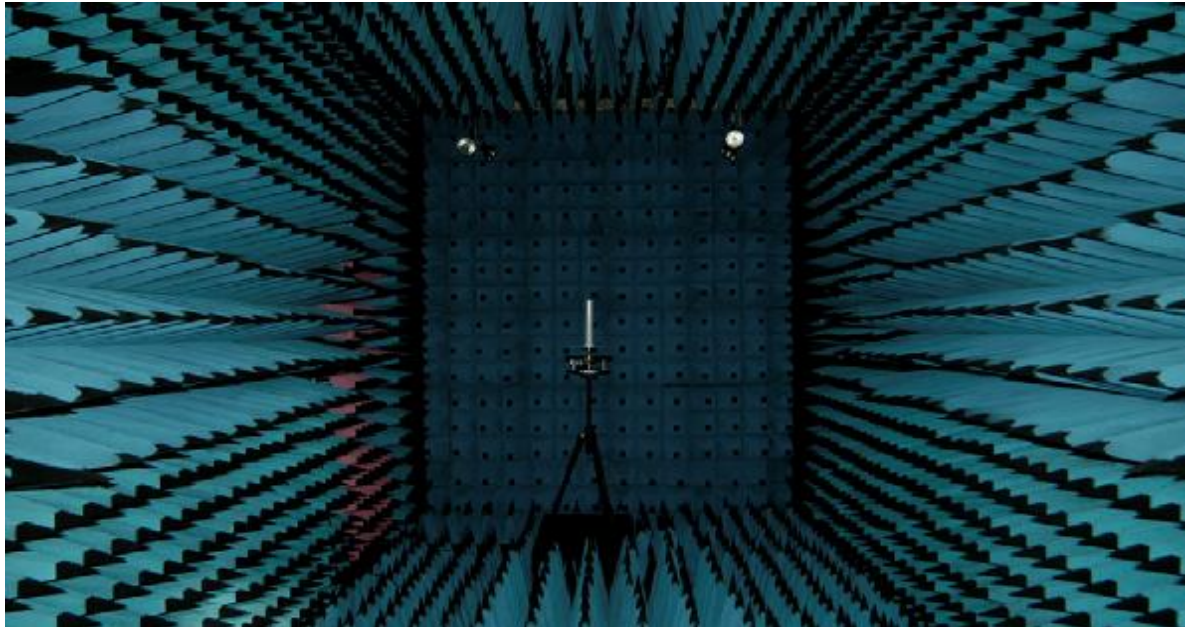
Includes a heavy duty mounting bracket and an N-style Jack connector.

1. Product Specifications

Model	
Frequency Range	902 ~ 928 MHz
Bandwidth	26 MHz
Gain	5 dBi
Horizontal Beamwidth	360°
Vertical Beamwidth	40°
VSWR	< 1.5
Nominal Impedance	50 Ohms
Maximum Power rating	100 Watts
Polarization	Vertical
Connector	N-Style Jack
Length	24" / 62cm
Wind Load	120 mph
Radome	White Fiberglass
Mast Mount Diameter	Ø1.5" ~ Ø2.0"
Operating Temperature Range	-22°F ~ 158°F

SPEC NO.	SP-12G0915GT01-01	ISSUED DATE	2016.09.07	PUBLISHED BY
PRODUCT NAME	OMA-G03A (Omni Fiberglass Antenna)	VERSION	V01	
		PAGE	3/10	

2. Test Condition



3. Return Loss

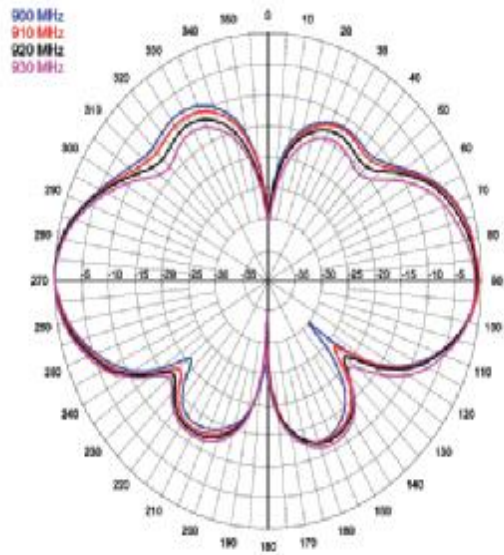


SPEC NO.	SP-12G0915GT01-01	ISSUED DATE	2016.09.07	PUBLISHED BY
PRODUCT NAME	OMA-G03A (Omni Fiberglass Antenna)	VERSION	V01	
		PAGE	4/10	

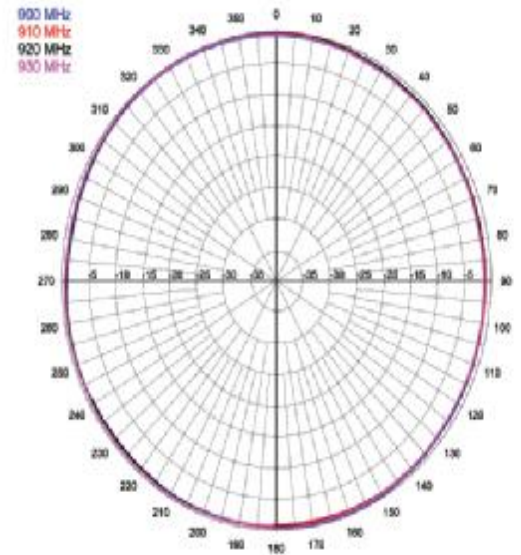
4.Radiation Patern

@ 900MHz, 910Mhz,920Mhz, 930Mhz

E-Plane Radiation Pattern

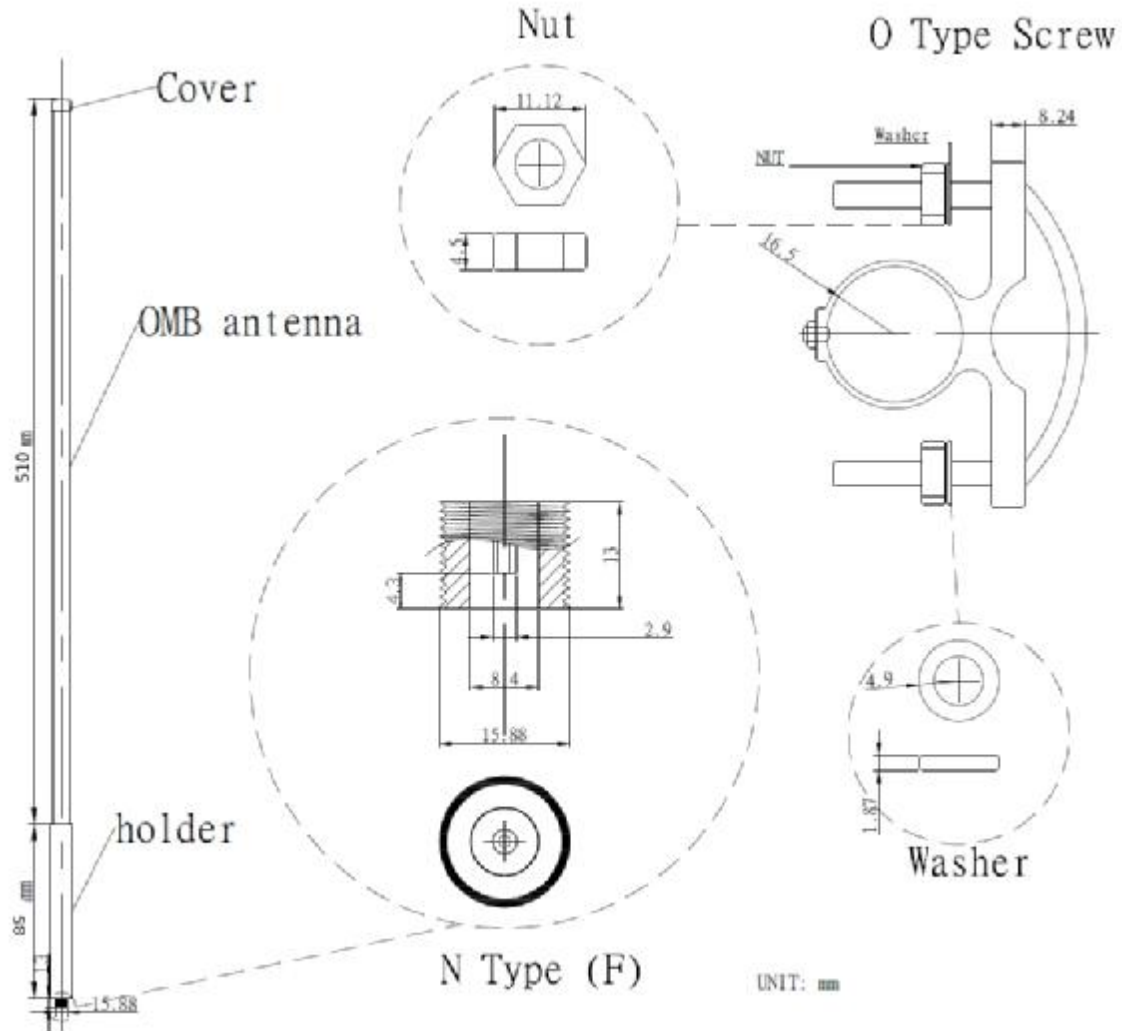


H-Plane Radiation Pattern



SPEC NO.	SP-12G0915GT01-01	ISSUED DATE	2016.09.07	PUBLISHED BY
PRODUCT NAME	OMA-G03A (Omni Fiberglass Antenna)	VERSION	V01	
		PAGE	5/10	

5. Dimension



Omni Antenna 902 ~ 928 MHz Base Station					
1	name	P/N	material	finish	qty
2	QMB Antenna		glass fiber	white	1
3	Cover		Aluminum	silver	1
4	Holder		Aluminum	silver	1
5	N Type (F)		Bress	Ni Plated	1
6	o type Screw		Stainless stell	silver	1
7	M6 washer		Stainless steel	silver	2
8	M6 nut		Stainless steel	silver	2

SPEC NO.	SP-12G0915GT01-01	ISSUED DATE	2016.09.07	PUBLISHED BY
PRODUCT NAME	OMA-G03A (Omni Fiberglass Antenna)	VERSION	V01	
		PAGE	6/10	

6.cable

Electrical

Impedance	50 ohm
Frequency Range	0-11 GHz
Working voltage	1000 vrms max. at sea level
VSWR	Straight: 1.3 max Right Angle: 1.5 max
Contact Resistance	Center Contact: 3 Milliohms Max. Outer Contact: 2 Milliohms Max
Insulator Resistance	5000 megohms min

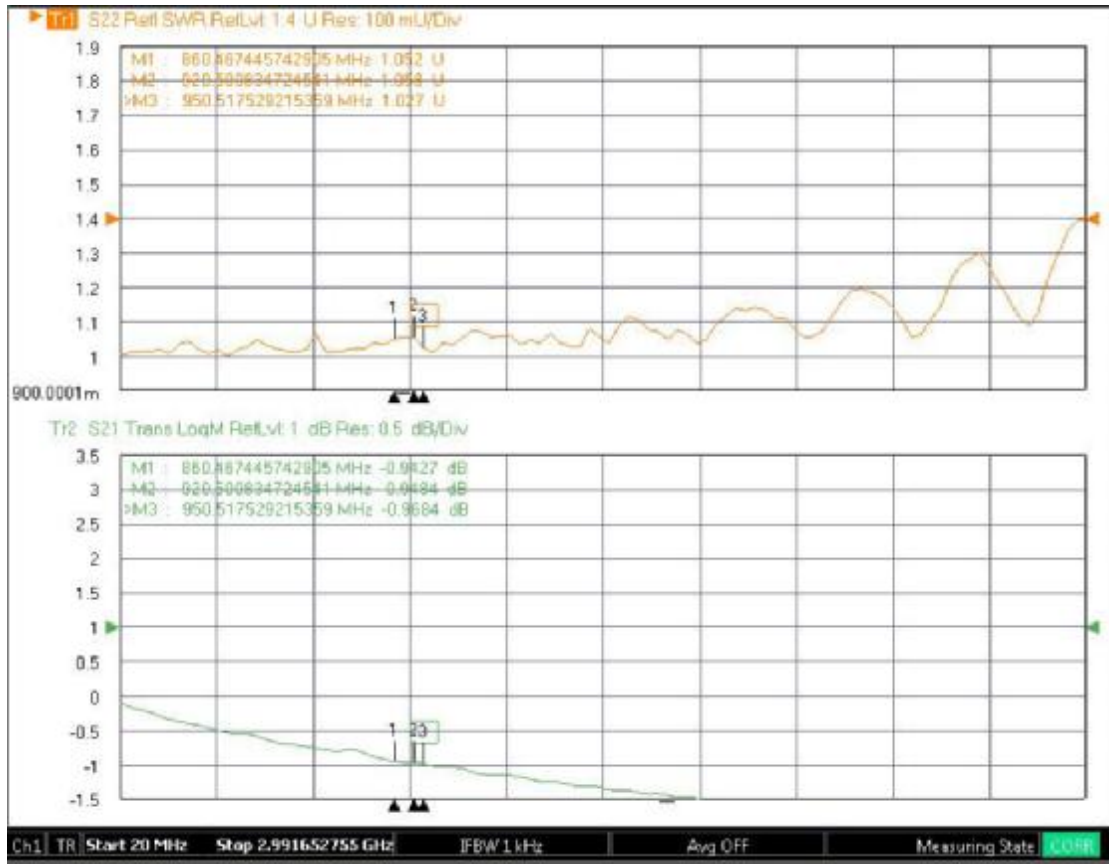
Material

Name	Material	Finish
Connector body	Brass per JIS-C3604BD	Nickel or gold plating
Center contact female	Beryllium copper per Male: Brass per QQ-B-750	Gold plating Gold plating
Insulator	PTFE	None
Crimp ferrule	Annealed copper	Nickle or Gold

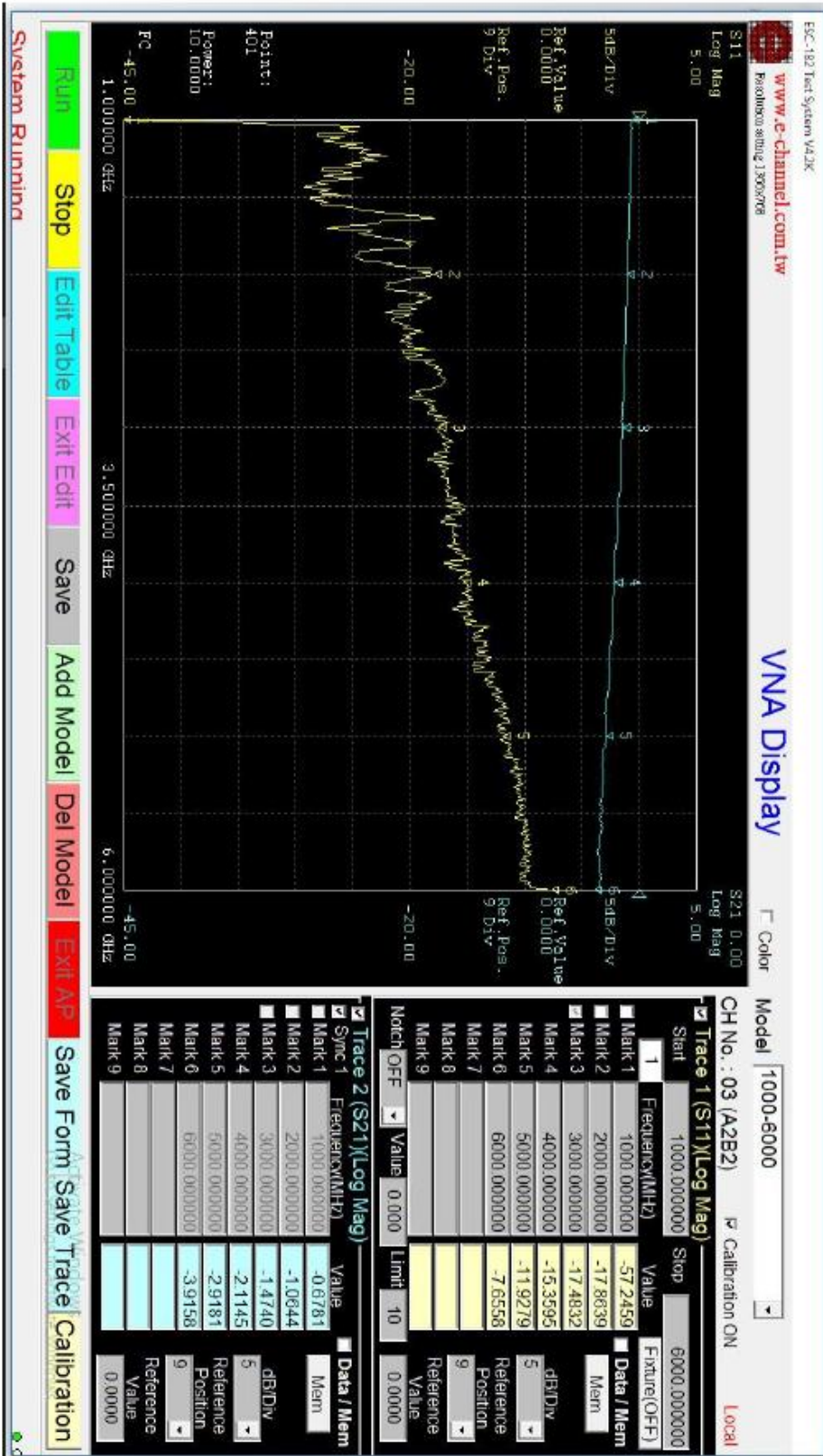
Mechanical

Engage force	6 lbs. max.
Disengagement force	6 lbs. Max.
Contact retention	6 lbs. min
Durability	500 cycles min

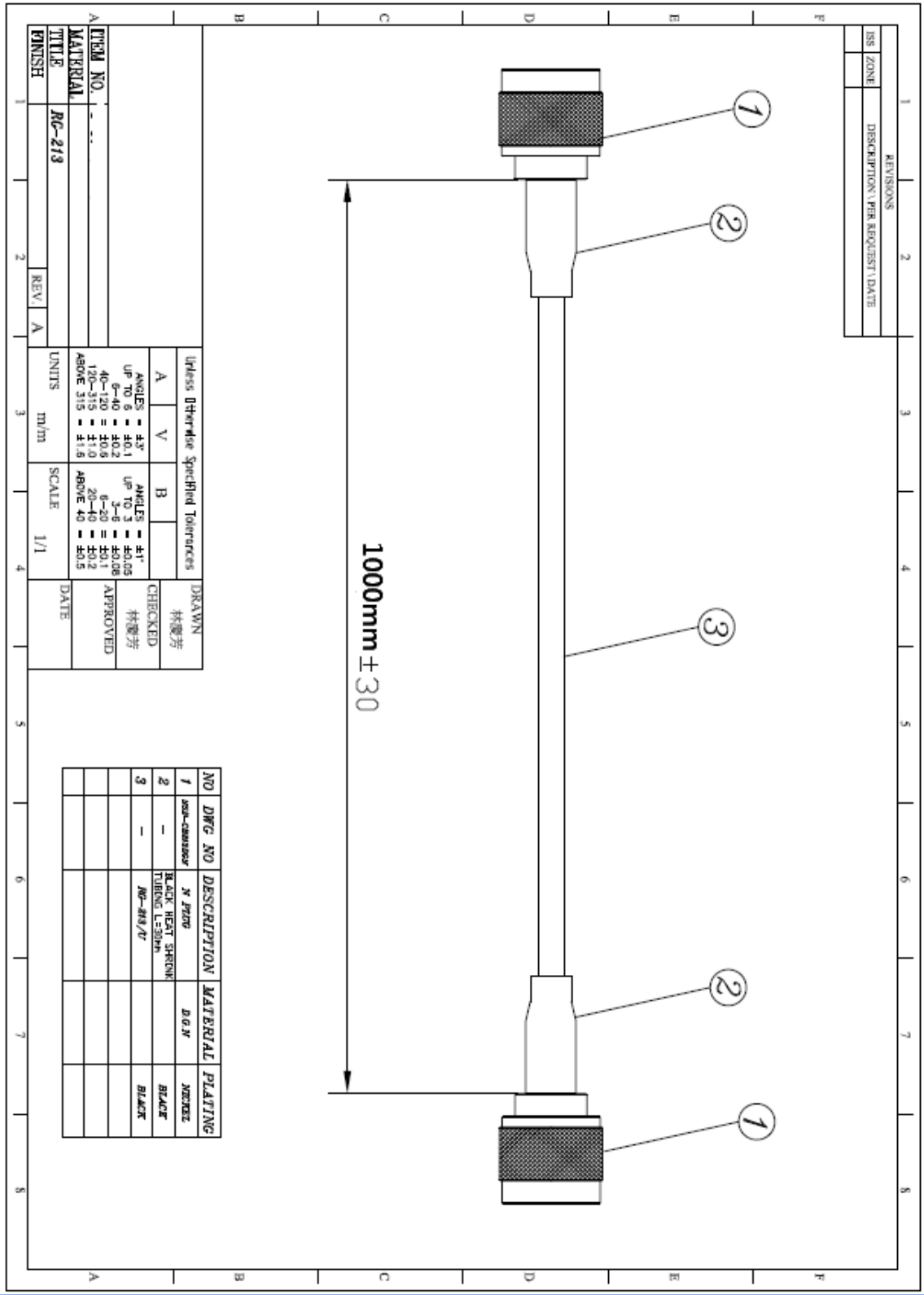
SPEC NO.	SP-12G0915GT01-01	ISSUED DATE	2016.09.07	PUBLISHED BY
PRODUCT NAME	OMA-G03A (Omni Fiberglass Antenna)	VERSION	V01	
		PAGE	7/10	



SPEC NO.	SP-12G0915GT01-01	ISSUED DATE	2016.09.07	PUBLISHED BY
PRODUCT NAME	OMA-G03A (Omni Fiberglass Antenna)	VERSION	V01	
		PAGE	8/10	



SPEC NO.	SP-12G0915GT01-01	ISSUED DATE	2016.09.07	PUBLISHED BY
PRODUCT NAME	OMA-G03A (Omni Fiberglass Antenna)	VERSION	V01	
		PAGE	9/10	



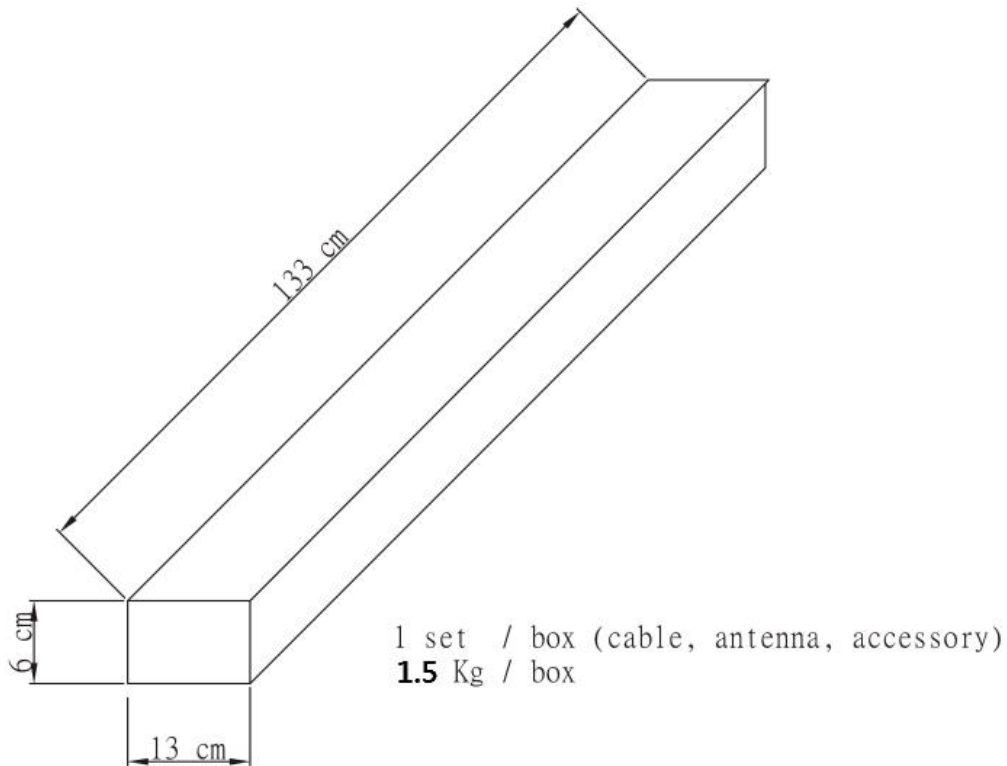
REVISIONS	
REV. ZONE	DESCRIPTION / PER REQUEST / DATE

Unless Otherwise Specified Tolerances				DRAWN 林麗芳	
A	V	B		CHECKED 林麗芳	DATE
ANGLES - 45°		ANGLES - 45°		APPROVED	
UP TO 6 = ±0.1		UP TO 3 = ±0.05			
6-40 = ±0.2		3-6 = ±0.08			
40-120 = ±0.5		6-20 = ±0.1			
120-315 = ±1.0		20-40 = ±0.2			
ABOVE 315 = ±1.5		ABOVE 40 = ±0.5			
UNITS	mm	SCALE	1/1		
TITLE	RC-213				
FINISH					

NO	DWG NO	DESCRIPTION	MATERIAL	PLATING
1				
2		BLACK HEAT SHRINK TUBING L=30mm		
3				

SPEC NO.	SP-12G0915GT01-01	ISSUED DATE	2016.09.07	PUBLISHED BY
PRODUCT NAME	OMA-G03A (Omni Fiberglass Antenna)	VERSION	V01	
		PAGE	10/10	

7.Package



7.1 包裝箱摔落/落下執行標準：

- § 摔落測試共為六個面(faces)四個底角(corners)。
- § 摔落高度要求如下，以包裝的最低點量測。

Gross weight, m, 總重量 Kg	Drop height, 落下高度 cm
1.5	91

- § 摔落試驗後內裝產品不可以有功能及外觀不良，包括不可以有螺絲鬆動或結構破損的情形。
- § 紙箱經摔落後仍能有效的保持封口密合無破裂。落下後其棱邊(Edge)或角(Corner)的地方有凹陷，或落下角(Corner)的鄰近棱邊(Edge)有小範圍破損，或落下面衝擊處有小範圍的損傷都是可以接受的。