



S5

2U Active Air Cooler

PRODUCT SPECIFICATIONS

Model Number: S5

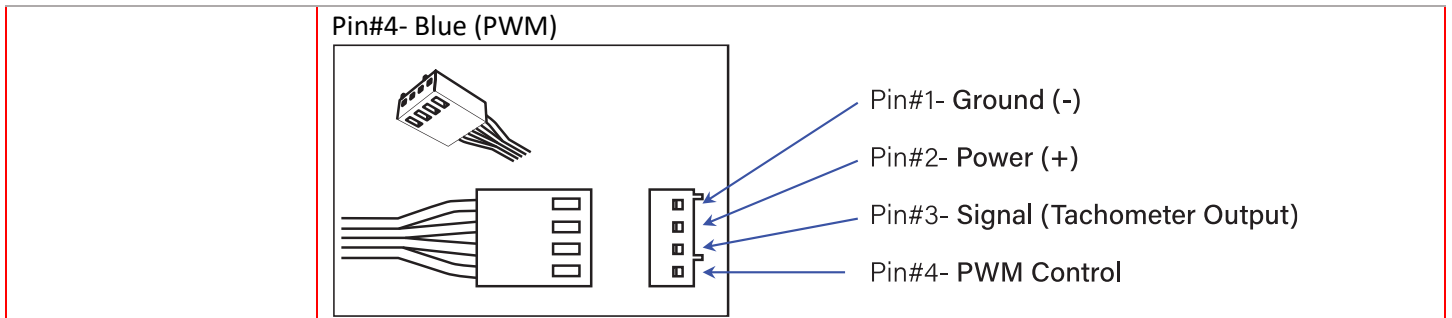
- Recommend for Intel® CPU as following
 - Intel® Sapphire Rapids Proprocessors, Socket FCLGA 4677
- Active Cooler for 2U Server & Up

Overall Specification

Dimension	118 x 82 x 66 mm
Weight	425.1 g
Material	5 Heatpipes with Aluminum Fin Base and Aluminum Fin Stack
Fan	6025 Side-blow fan with PWM Function
Mounting Method	Intel LGA 4677 standard Mounting Kits
Package Carrier	PHM Package Carrier is included
Thermal Grease	SHIT-ETSU 7762 pre-printed
TDP	Support CPU Power up to 350 Watts Heat Dissipation

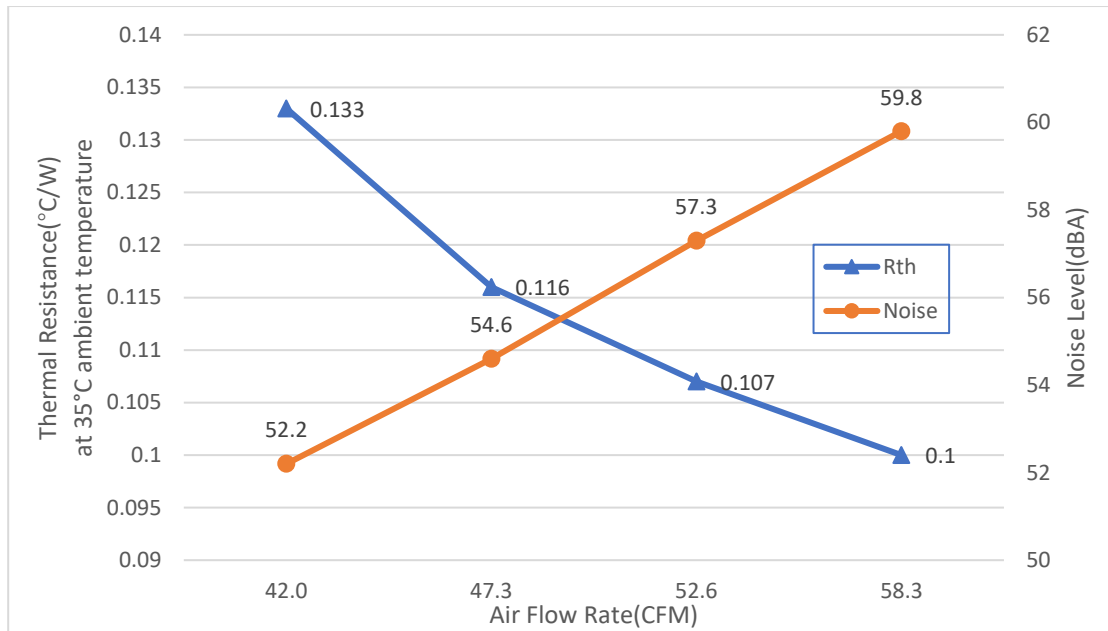
Cooling Fan Specification

Model Number	DF126025BU-PWMH
Dimension	60 x 60 x 25 mm
Bearing	Double Ball
Rated Voltage	12V
Rated Speed	At Duty Cycle 0~20%: 2300± 200 RPM At Duty Cycle 50%: 5400± 10% RPM At Duty Cycle 100%: 11000±10% RPM
Input Power	At Duty Cycle 0~20%: 0.84 W At Duty Cycle 50%: 2.76 W At Duty Cycle 100%: 18.0 W
Maximum Airflow	At Duty Cycle 0~20%: 11.91 CFM At Duty Cycle 50%: 28.38 CFM At Duty Cycle 100%: 58.31 CFM
Rated Static Pressure	At Duty Cycle 0~20%: 1.48 mm-H2O At Duty Cycle 50%: 7.54 mm-H2O At Duty Cycle 100%: 28.8 mm-H2O
Acoustical Noise	At Duty Cycle 0~20%: 25.8 dBA At Duty Cycle 50%: 44.4 dBA At Duty Cycle 100%: 59.8 dBA
Lead Wire Pin Out	Pin#1- Black(-) Pin#2- Yellow(+) Pin#3- Green(Tachometer/ Signal Output)

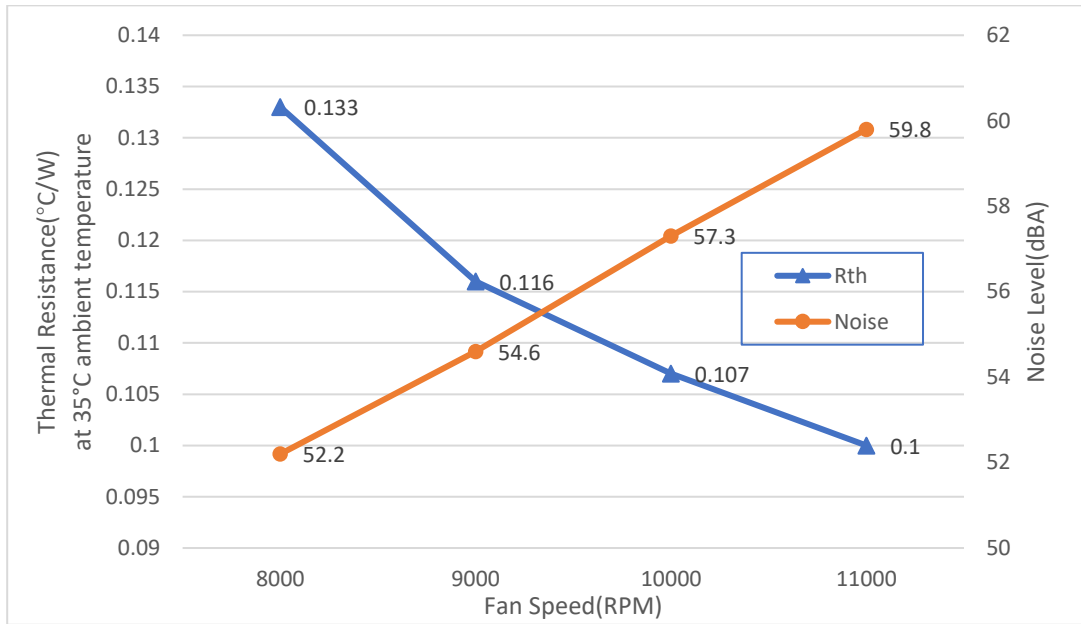


Performance Chart: Active Cooler S5 Thermal Resistance

Active Cooler S5 Cooling Performance vs. Airflow



Active Cooler S5 Cooling Performance vs. Fan Speed



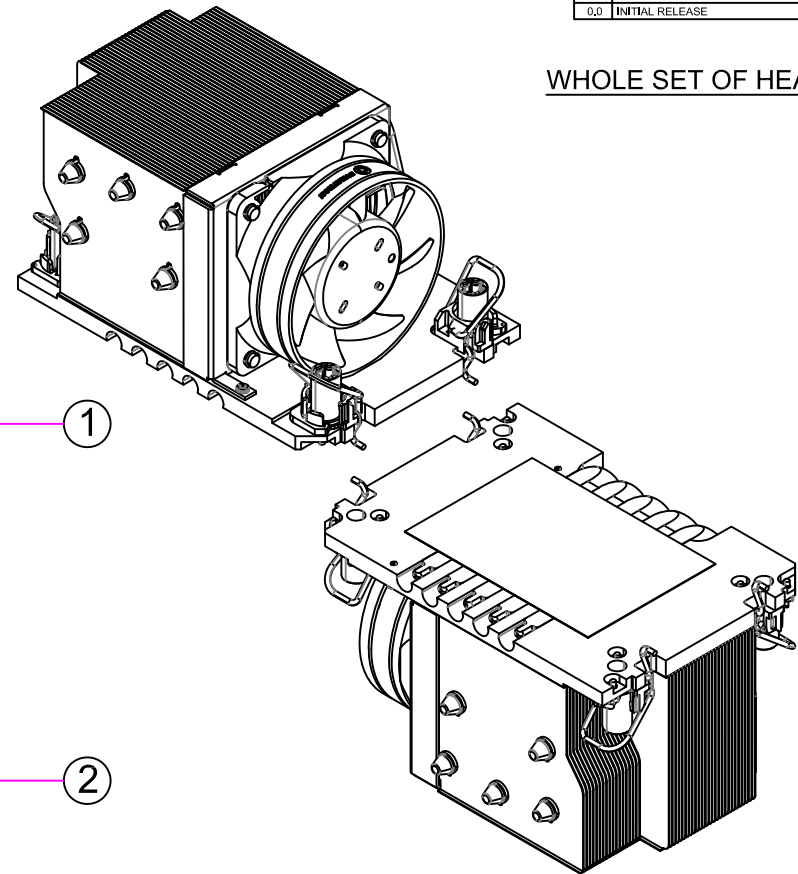
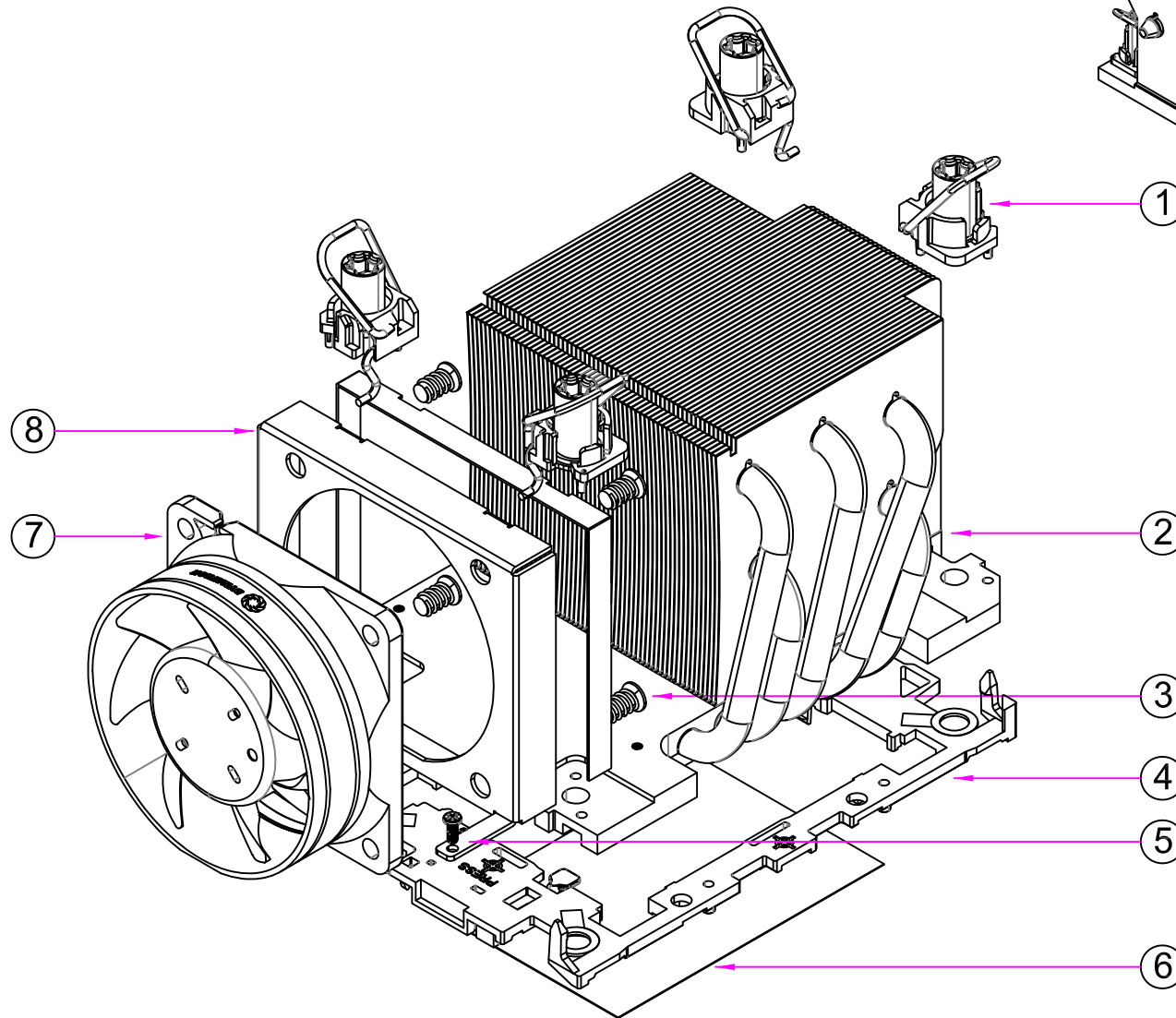
CONFIDENTIAL DOCUMENT

THIS DRAWING CONTAINS INFORMATION PROPRIETARY TO DYNATRON CORPORATION AND DYNAEON INDUSTRIAL CO., LTD. ANY REPRODUCTION, DISCLOSURE, OR USE OF THIS DRAWING IS EXPRESSLY PROHIBITED EXCEPT AS DYNATRON CORPORATION AND DYNAEON INDUSTRIAL CO., LTD. MAY OTHERWISE AGREE TO IN WRITING.

REV#	DESCRIPTION	CHECKER	DATE
0.0	INITIAL RELEASE	LANG	04/20/2021

ASSEMBLY PARTS


WHOLE SET OF HEATSINK



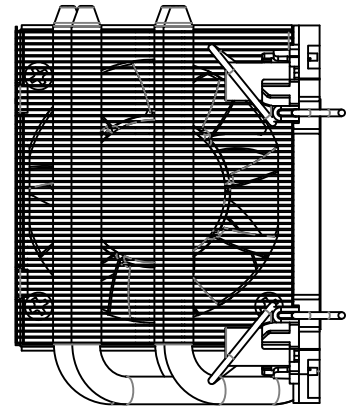
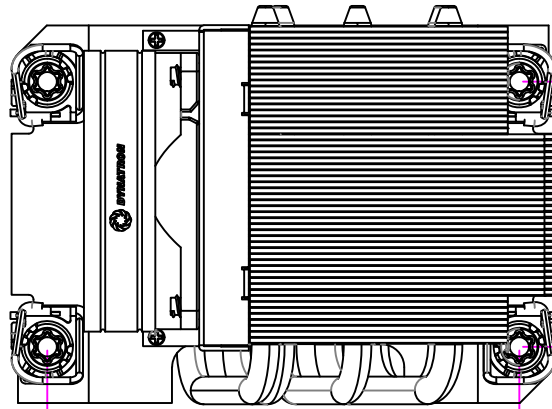
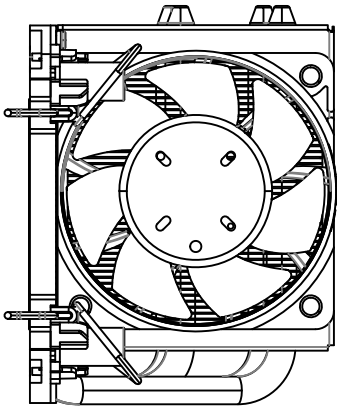
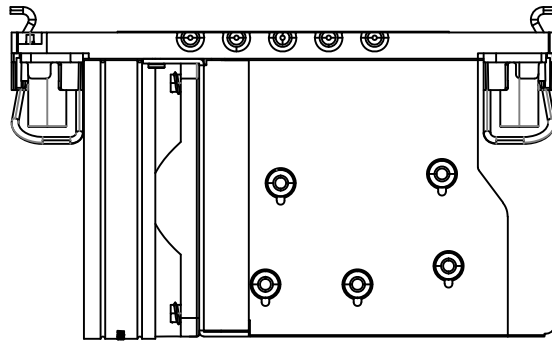
NOTES:

1. THE FIGURE IS FOR REFERENCE ONLY, AND NOT FOR SCALE
2. OVERALL DIMENSION : 118 x 82 x 66 mm
3. OVERALL WEIGHT ESTIMATED : 600 g

ITEM#	DESCRIPTION	MATERIAL	QTY.
8	FAN BRACKET	ALUMINUM ALLOY	1
7	FAN, DF126025BU - PWM (11000 RPM)	PLASTIC	1
6	THERMAL GREASE, PRE-PRINTED	SHIN-ETSU 7762	1
5	SCREW, FAN BRACKET MOUNTING	STEEL	2
4	INTEL PACKAGE CARRIER	PLASTIC	1
3	SCREW, FAN MOUNTING	STEEL	4
2	HEATSINK, with STACKED FINS	HEAT PIPES ALUMINUM BASE ALUMINUM STACKED FIN	1
1	ANTI-TILT ROTATING WIRE ASSEMBLY SET	PLASTIC NUT AND CAPTIVATION STEEL ROTATING WIRE	4

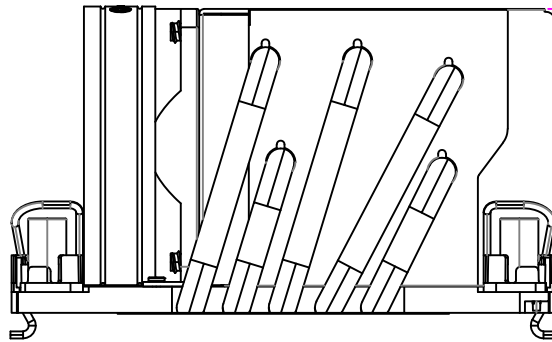
DATE	NAME	DYNATRON CORPORATION	
DRAWN 04/20/2021	Engr	 TITLE: 2U Server Active Cooler Model S5 BOM & Exploded Assembly Drawing	
CHECKED 04/20/2021	LANG		
ENG. APPR.			
MFG. APPR.			
Q.A.			
COMMENTS:		DWG. No:	REV
		DYN-EP-S5	0.0

REV#	DESCRIPTION	CHECKER	DATE
0.0	INITIAL RELEASE	LANG	04/20/2021

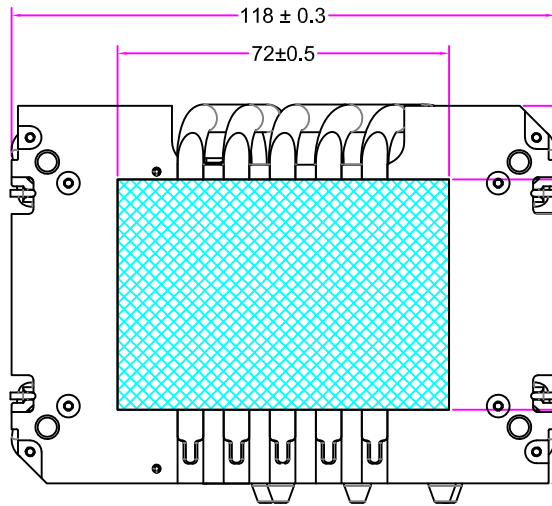


102.5 ± 0.5

57.6 ± 0.5



66 ± 0.3



118 ± 0.3

72 ± 0.5

50 ± 0.5

82 ± 0.3

	NAME	DATE
DRAWN BY	engr	04/20/2021
CHECKED BY	LANG	04/20/2021
ENG. APPROVED		
MFG. APPROVED	-	-



DYNATRON CORPORATION

TOP MOTOR

TITLE: 2U Server Active Cooler Model **S5**
Overall Dimension Drawing

CONFIDENTIAL DOCUMENT

THIS DRAWING CONTAINS INFORMATION PROPRIETARY TO DYNATRON CORPORATION AND DYNAEON INDUSTRIAL CO., LTD. ANY REPRODUCTION, DISCLOSURE, OR USE OF THIS DRAWING IS EXPRESSLY PROHIBITED EXCEPT AS DYNATRON CORPORATION AND DYNAEON INDUSTRIAL CO., LTD. MAY OTHERWISE AGREE TO IN WRITING.

VIEW	
UNITS	MM

DWG. No:

DYN-DM-S5

REV. **0.0**