



# S2

2U Server Passive Cooler

**PRODUCT SPECIFICATIONS**

## Model Number: S2

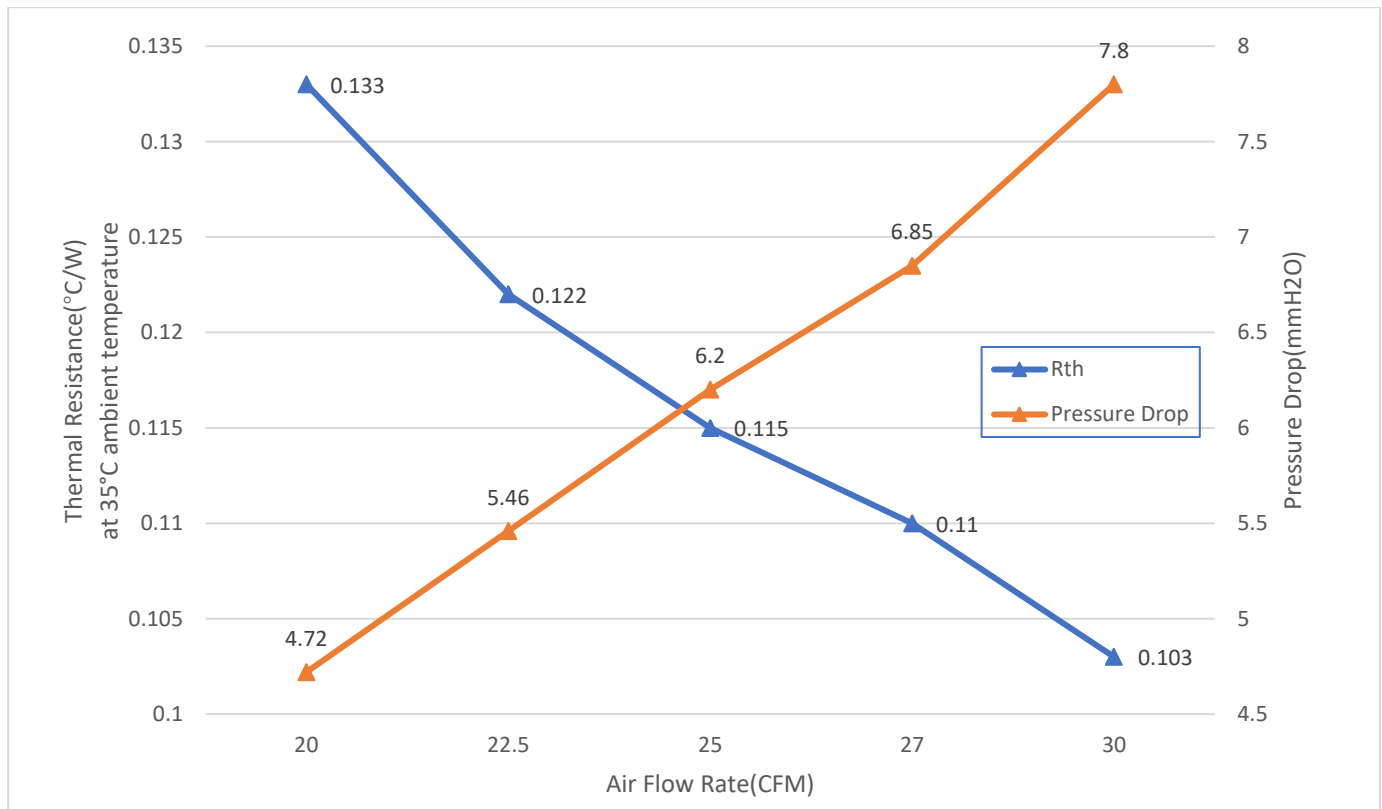
- Recommend for Intel® CPU as following
  - Intel® Sapphire Rapids Processor, Socket LGA 4677
- Passive Heat Sink for 2U Server or up

## Overall Specification

Dimension	118 x 78 x 64 mm
Weight	526.6 g
Material	Copper Vapor Chamber and heat pipe, Aluminum Fin Stack
Mounting sets	Intel Standard Anti-Tilt Heatsink Captive Mounting Sets
Package Carrier	PHM Package Carrier Included
Thermal Grease	Pre-Printed with SHIN-ETSU 7762
TDP	Support 350 Watts CPU Power Heat Dissipation

## Performance Chart: S2 Thermal Resistance

### Thermal Performance vs. Airflow



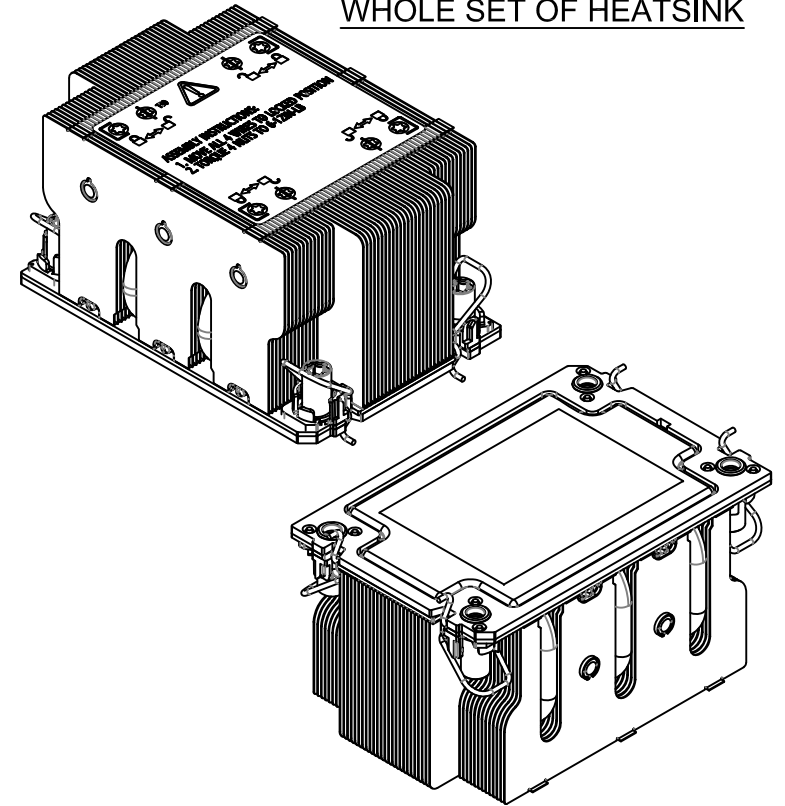
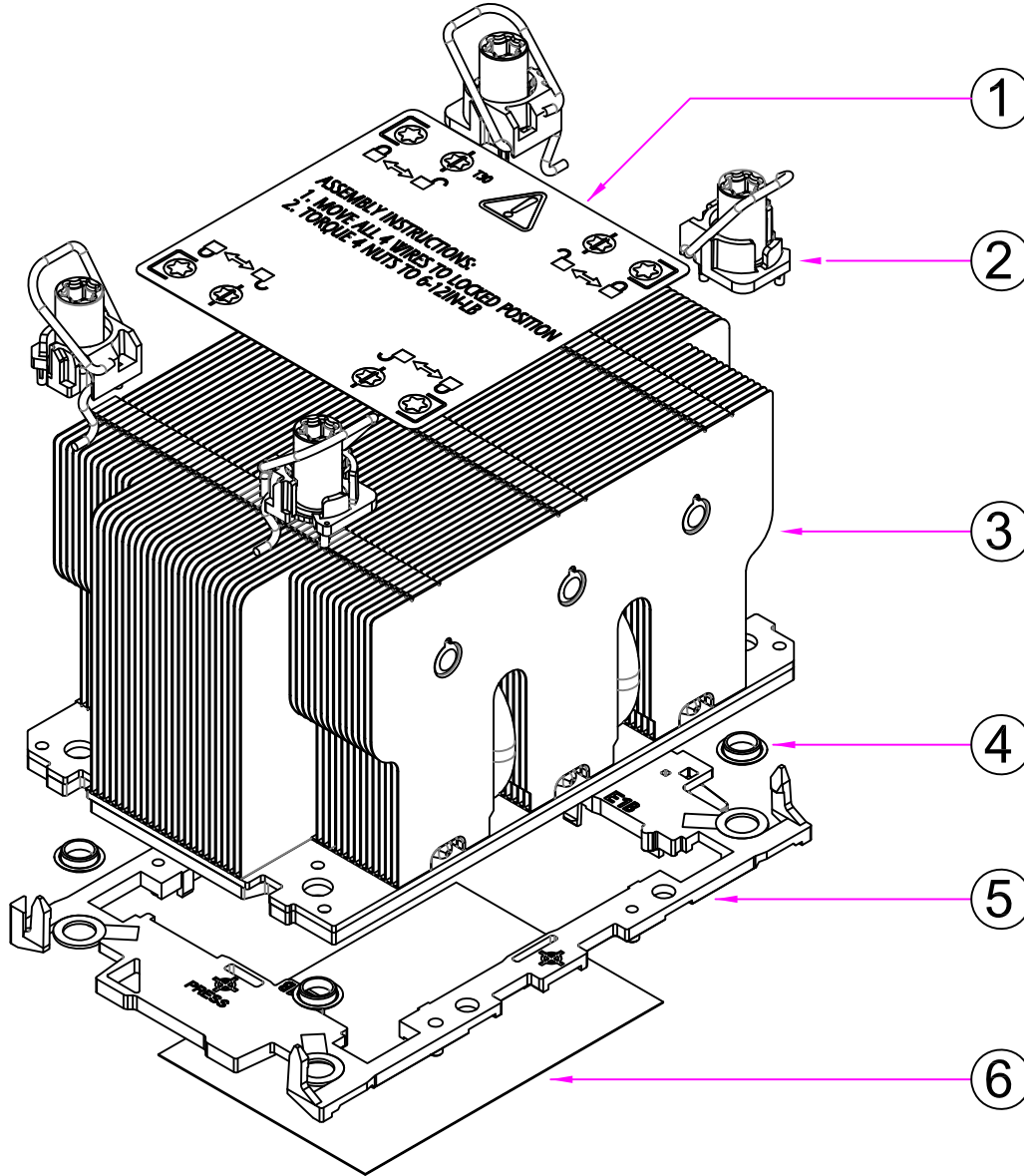
**CONFIDENTIAL DOCUMENT**

THIS DRAWING CONTAINS INFORMATION PROPRIETARY TO DYNATRON CORPORATION AND DYNAEON INDUSTRIAL CO., LTD. ANY REPRODUCTION, DISCLOSURE, OR USE OF THIS DRAWING IS EXPRESSLY PROHIBITED EXCEPT AS DYNATRON CORPORATION AND DYNAEON INDUSTRIAL CO., LTD. MAY OTHERWISE AGREE TO IN WRITING.

REV#	DESCRIPTION	CHECKER	DATE
0.0	INITIAL RELEASE	LANG	03/26/2021


**ASSEMBLY PARTS**

**WHOLE SET OF HEATSINK**



- NOTES:**
1. THE FIGURE IS FOR REFERENCE ONLY, AND NOT FOR SCALE
  2. OVERALL DIMENSION : 118 x 78 x 64 mm
  3. OVERALL WEIGHT : 580 g

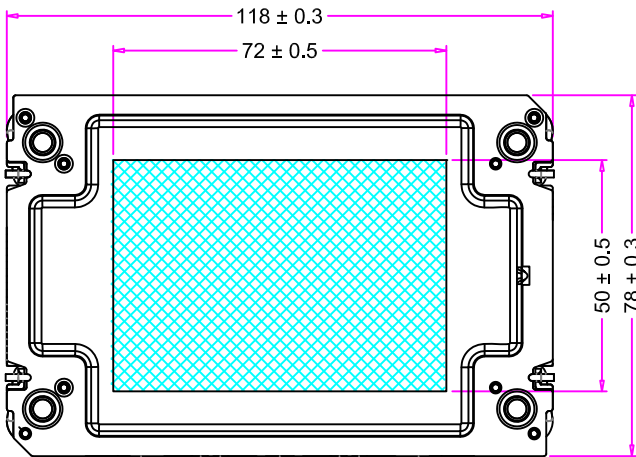
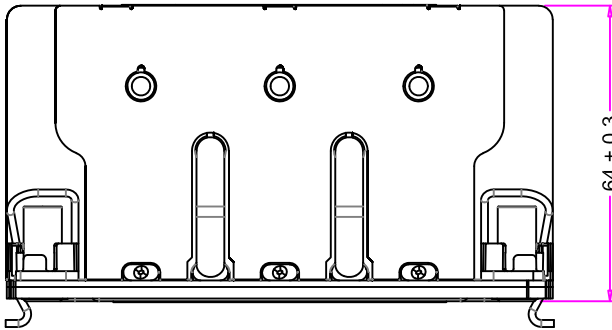
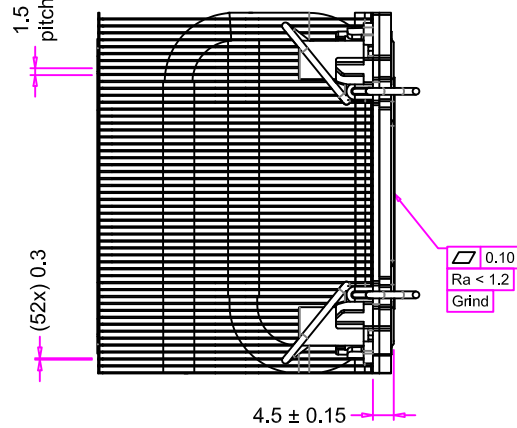
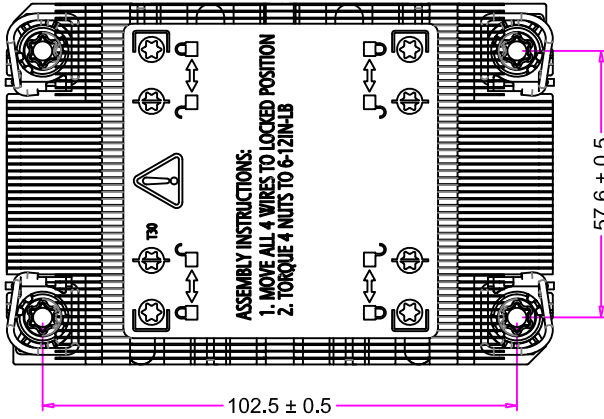
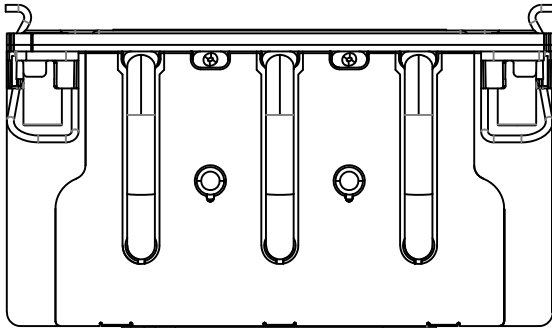
6	THERMAL GREASE, PRE-PRINTED	SHIN-ETSU 7762	1
5	INTEL PACKAGE CARRIER	PLASTIC	1
4	SPACER RING	PLASTIC	4
3	HEATSINK, with STACKED FINS	(5x) HEATPIPE ALUMINUM FIN STACK COPPER VAPOR CHAMBER BASE STEEL RETENTION	1
2	ANTI-TILT ROTATING WIRE ASSEMBLY SET	PLASTIC NUT AND CAPTIVATION STEEL ROTATING WIRE	4
1	MOUNTING INSTRUCTION LABEL	PLASTIC	1
ITEM#	DESCRIPTION	MATERIAL	QTY.

DATE	NAME	 <b>DYNATRON CORPORATION</b>	
DRAWN 03/26/2021	Engr	<b>TITLE:</b> 2U Server Passive Cooler Model <b>S2</b> BOM & Exploded Assembly Drawing	
CHECKED 03/26/2021	LANG		
ENG. APPR.			
MFG. APPR.			
G.A.			
COMMENTS:		DWG. No:	REV
		<b>DYN-EP-S2</b>	<b>0.0</b>

1 2 3 4 5 6 7

REV#	DESCRIPTION	CHECKER	DATE
0.0	INITIAL RELEASE	LANG	03/26/2021

A  
B  
C  
D  
E  
F  
G  
H



**ASSEMBLY INSTRUCTIONS:**  
 1. MOVE ALL 4 WIRES TO LOCKED POSITION  
 2. TORQUE 4 NUTS TO 6-12IN-LB

	NAME	DATE
DRAWN BY	engr	03/26/2021
CHECKED BY	LANG	03/26/2021
ENG. APPROVED		
MFG. APPROVED	-	-



**DYNATRON CORPORATION**

TITLE: 2U Server Passive Cooler Model **S2**  
 Overall Dimension Drawing

**CONFIDENTIAL DOCUMENT**  
 THIS DRAWING CONTAINS INFORMATION PROPRIETARY TO DYNATRON CORPORATION AND DYNAEON INDUSTRIAL CO., LTD. ANY REPRODUCTION, DISCLOSURE, OR USE OF THIS DRAWING IS EXPRESSLY PROHIBITED EXCEPT AS DYNATRON CORPORATION AND DYNAEON INDUSTRIAL CO., LTD. MAY OTHERWISE AGREE TO IN WRITING.

VIEW	
UNITS	MM

DWG. No: **DYN-DM-S2**

REV. **0.0**

1 2 3 4 5 6 7