



Q14

Active Air Cooler

PRODUCT SPECIFICATIONS

Specification Version: 07/03/2024

(the specification is subject to change without notice)

Q14 | Socket LGA1700

Model Number: Q14

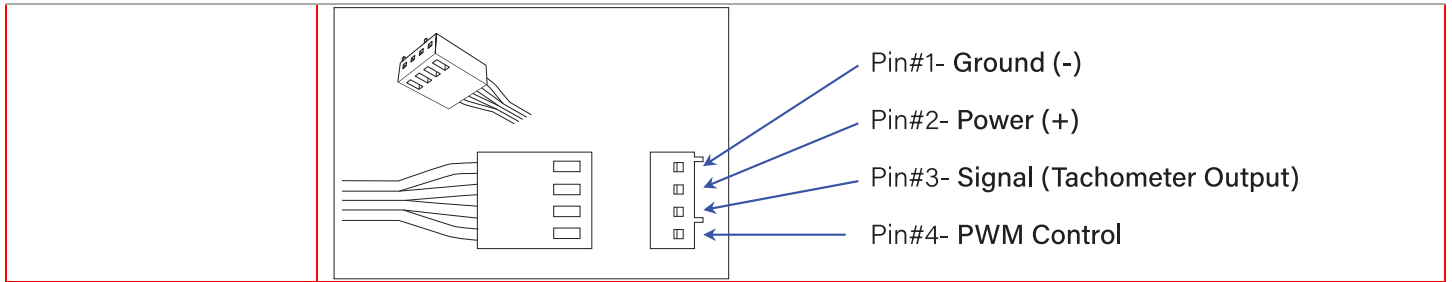
- Recommend for Intel® CPU as following
 - Intel® Socket LGA 1851/1700 Processor
- Active Cooler for 1.5U Application & Up

Overall Specification

Dimension	93.5 x 95.0 x 30.0 mm
Weight	348g (Fan + Heatsink)
Material	Copper Base & Aluminum Fins with Heat Pipe Embedded
Fan	92.0 x 92.0 x 12.0 mm Axial fan fan with PWM Function
Thermal Grease	Shin-Etsu 7762 or Equivalent (Syringe)
Maximum CPU Power Support	115W at 30°C ambient temperature

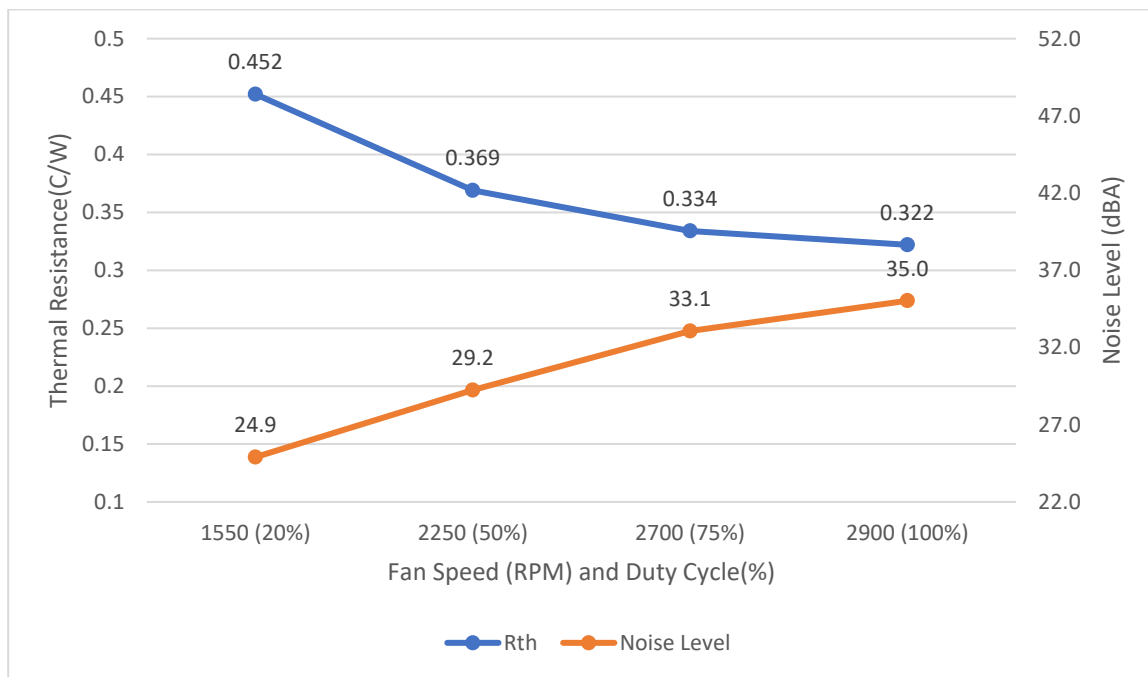
Cooling Fan Specification

Dimension	92.0 x 92.0 x 12.0 mm
Bearing	Double Ball
Rated Voltage	12V
Rated Speed	At Duty Cycle 0~20%: 800 ± 200 RPM At Duty Cycle 50%: 1900 ± 10% RPM At Duty Cycle 100%: 3200 RPM
Input Power	At Duty Cycle 0~20%: 0.2 W At Duty Cycle 50%: 0.5 W At Duty Cycle 100%: 1.6 W
Maximum Airflow	At Duty Cycle 0~20%: 9.88 CFM At Duty Cycle 50%: 21.38 CFM At Duty Cycle 100%: 35.78 CFM
Rated Static Pressure	At Duty Cycle 0~20%: 0.28 mm-H2O At Duty Cycle 50%: 1.22 mm-H2O At Duty Cycle 100%: 3.21 mm-H2O
Acoustical Noise	At Duty Cycle 0~20%: 22.3 dBA At Duty Cycle 50%: 26.1 dBA At Duty Cycle 100%: 36.2 dBA
Lead Wire Pin Out	Pin#1- Black(-) Pin#2- Black (+) Pin#3- Black (Tachometer/ Signal Output) Pin#4- Black (PWM) Lead Wire Pin Out Diagram :

Q14 | Socket LGA1700


Performance Chart: Active Cooler Q14 Thermal Resistance

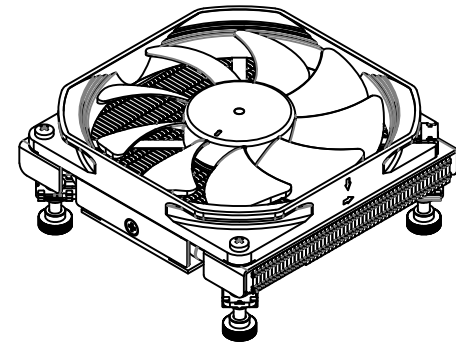
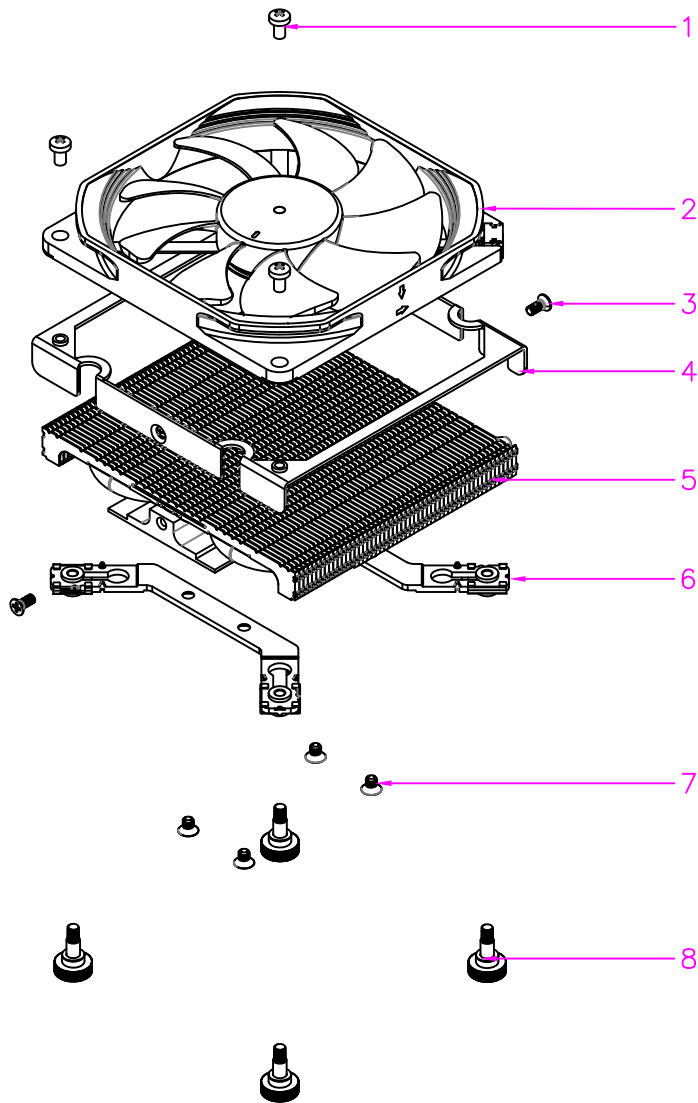
Active Cooler Q14 Cooling Performance vs. Fan Speed




CONFIDENTIAL DOCUMENT

THIS DRAWING CONTAINS INFORMATION PROPRIETARY TO DYNATRON CORPORATION AND DYNAEON INDUSTRIAL CO., LTD. ANY REPRODUCTION, DISCLOSURE, OR USE OF THIS DRAWING IS EXPRESSLY PROHIBITED EXCEPT AS DYNATRON CORPORATION AND DYNAEON INDUSTRIAL CO., LTD. MAY OTHERWISE AGREE TO IN WRITING.

REV#	DESCRIPTION	CHECKER	DATE
0.0	INITIAL RELEASE	MICHAEL.F	07/03/24



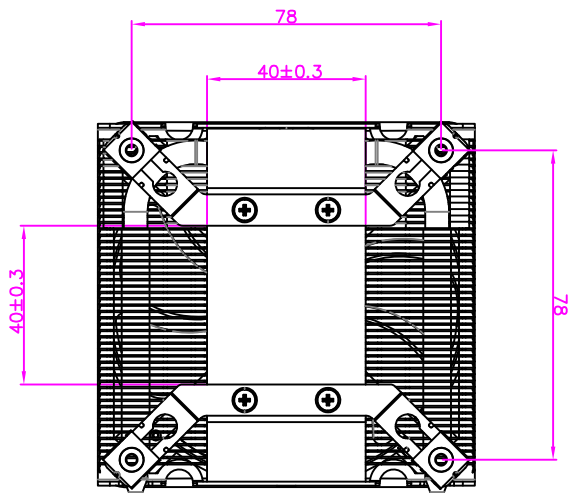
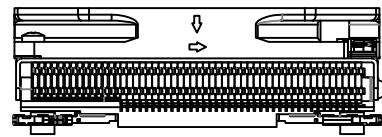
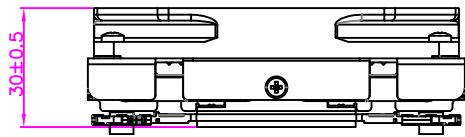
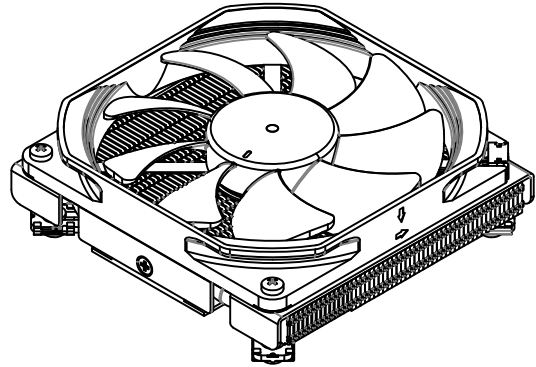
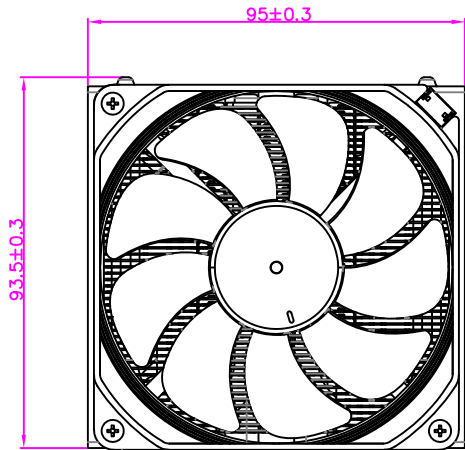
8	INTEL 1700 SCREW	STEEL WITH INSULATOR	4
7	BRACKET INSTALLATION SCREW	STEEL	4
6	INTEL BRACKET(PAIR)	STEEL	1
5	HEATSINK	ALUMINUM FINS, COPPER BASE, HEATPIPES	1
4	FAN BRACKET	STEEL	1
3	FAN BRACKET SCREW	STEEL, M2.5	2
2	FAN	9212	1
1	FAN INSTALLATION SCREW	STEEL, M3	4
ITEM #	DESCRIPTION	MATERIAL	QTY.

	DATE	NAME	 DYNATRON CORPORATION
DRAWN	07/03/24	MICHAEL.F	
CHECKED	07/03/24	MICHAEL.F	
ENG. APPR.			
MFG. APPR.			
TITLE: Active Air Cooler Q14 BOM & Exploded Assembly Drawing			
COMMENTS:			DWG. No: DYN-EP-Q14
			REV 0.0

NOTES:

1. THE FIGURE IS FOR REFERENCE ONLY, AND NOT FOR SCALE

REV#	DESCRIPTION	CHECKER	DATE
0.0	INITIAL RELEASE	MICHAEL.F	07/03/24



- NOTES:
1. THE FIGURE IS FOR REFERENCE ONLY, AND NOT FOR SCALE.
 2. THE INTEL BRACKET IS PRE-INSTALLED AND ADJUSTED TO 78x78MM MOUNTING HOLE PITCH.
 3. INTEL 1700 M3 HEATSINK SCREW INSTALLATION TORQUE: 5-7 in-lb

	NAME	DATE
DRAWN BY	MICHAEL.F	07/03/2024
CHECKED BY	MICHAEL.F	07/03/2024
ENG. APPROVED		
MFG. APPROVED	-	-



DYNATRON CORPORATION

TITLE: Active Air Cooler Q14
Overall Dimension Drawing

CONFIDENTIAL DOCUMENT
THIS DRAWING CONTAINS INFORMATION PROPRIETARY TO DYNATRON CORPORATION AND DYNAEON INDUSTRIAL CO., LTD. ANY REPRODUCTION, DISCLOSURE, OR USE OF THIS DRAWING IS EXPRESSLY PROHIBITED EXCEPT AS DYNATRON CORPORATION AND DYNAEON INDUSTRIAL CO., LTD. MAY OTHERWISE AGREE TO IN WRITING.

VIEW	DWG. No:	REV.
UNITS	DYN-DM-Q14	0.0

Q14 | Socket LGA1700

Document History:

07/03/2024: Initial release